
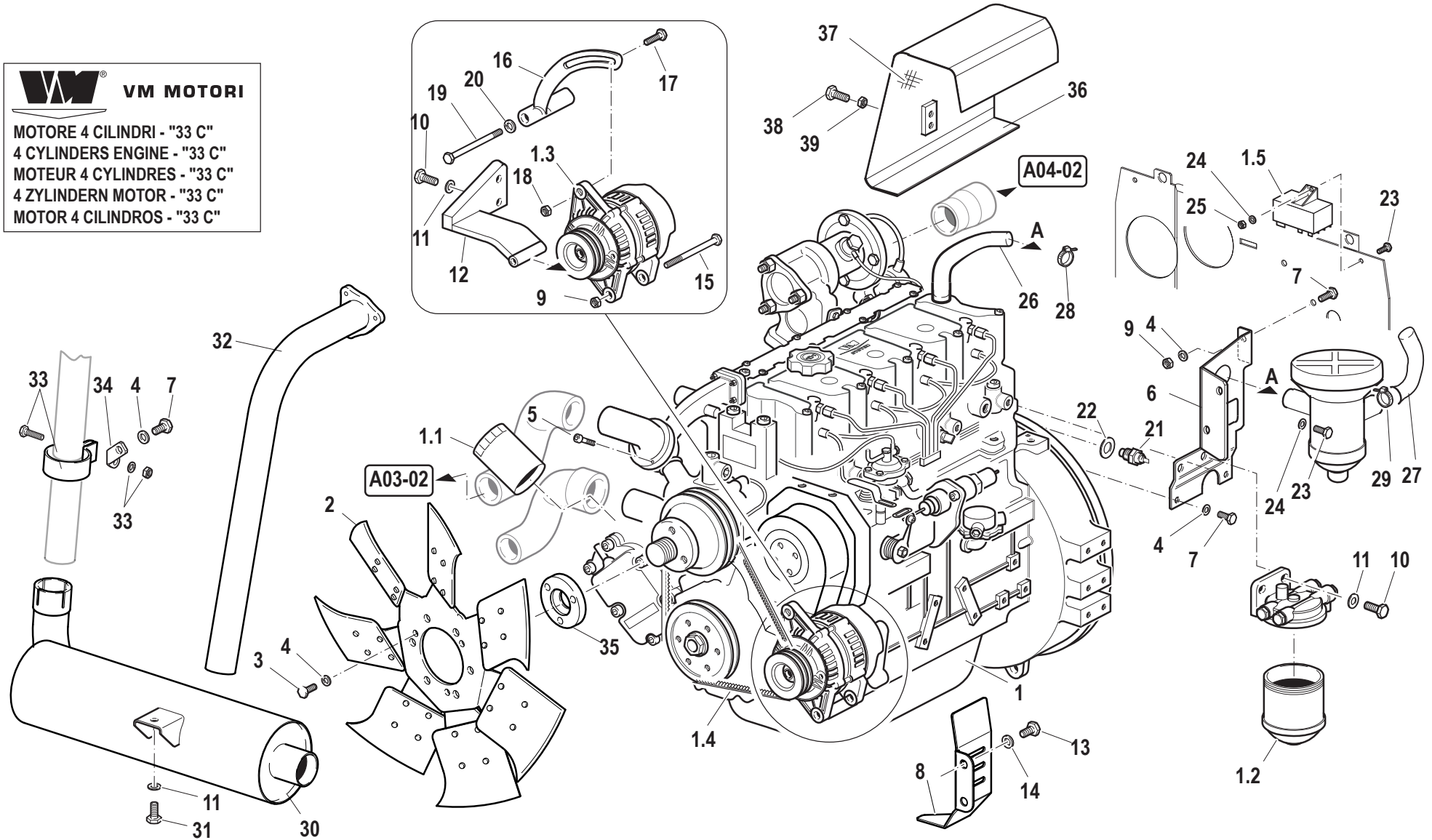


Inhoudsopgave

Aandrijving naar Vooras	256
Achteras Aandrijving	210
Achteras Behuizing	159
Brandstof Tank & Montage	53
Bumper & Motorkapsluiting	57
Cabine	410
Compressor	304
Dashbord	103
Differentieel Slot	214
Driepunt Achter	380
Driepunt Voor	376
Eindvertraging Wiel	212
Elecktrisch	272
Front Gewichten & Beugel	400
Gaskabels	25
Hydrauliek	292
Hydrauliek Aansluitingen	332
Hydrauliek Hef	328
Hydrauliek Stuur	300
Hydrauliek Topstang	360
Hydrauliek Ventielen	344
Joystick	312
Koppeling	163
Koppeling Pedaal & Aansturing	168
Luchtfiler	49
Midden Knik Stuk	141
Motor	3
Motorkap	62
Oliekoeler	296
P.T.O.	218
P.T.O. Schakeling	230
Radiator & Slangen	29
Rem Pedaal & Aansturing	238
Remmen Achter	236
Remmen Voor	234
Schakelpoken & Gaffels	202
Schakelpook & Zitting Montage	119
Spatschermen Achter	83
Spatschermen Voor & Rolbeugel	74
Stickers	89
Tandwielen	186
Treepanken & Kappen	81
Trekhaak	394
Vooras Aandrijving	161

Vooras Behuizing	139
Wielen & Banden	404
Zittingen	127

 **VM MOTORI**
MOTORE 4 CILINDRI - "33 C"
4 CYLINDERS ENGINE - "33 C"
MOTEUR 4 CYLINDRES - "33 C"
4 ZYLINDERN MOTOR - "33 C"
MOTOR 4 CILINDROS - "33 C"



Pos.	Code	Q.ty	Description	Notes
1	41U70000	1	MOT.VM D754TE2.21A 67KW 33C/4	
2	58178646	1	FAN	
3	F0862694000	3	SCREW M8X170 UNI 5737	
4	F0843643060	7	WASHER 8	
5	F0862479035	1	SCREW	
6	59079167	1	RETAINER	
7	31111151	4	SCREW TE M8X16 UNI 5739 8G	
8	56177979	1	SHIELD	
9	31211080	2	NUT M8	
10	31112219	5	SCREW TE M10X25 UNI 5739	
11	F0843755000	6	WASHER 10	
12	59077318	1	SUPPORT	
13	31112082	2	SCREW TE M6X12 UNI 5739 8G	
14	31411064	2	WASHER 6,4x12,5	
15	31112174	1	SCREW TE M8X110 UNI 5737 8.8	
16	59076688	1	ROD	
17	31112153	1	SCREW TE M8X35 UNI 5739 8G	
18	31421083	1	WASHER	
19	F0864335020	1	SCREW M14X120 UNI 5737	
21	58175773	1	ELECTRONICAL THERMOMETER	
22	F0844030070	1	COPPER WASHER 16,0x22/1,5	
23	31112090	2	SCREW TE M6X16 UNI 5739 8G	
24	F0843570000	2	WASHER 6	
25	31211060	2	HEXAGONAL NUT M8	
26	55176744	1	PIPE	
27	58177400	1	OIL PIPE	
28	F0817500400	3	CLAMP 024,1-706R	
29	F0817500200	1	CLAMP 015,7-706R	
30	58176618	1	EXHAUST SILENCER	
31	31112210	1	SCREW TE M10X20 UNI 5739	
32	59076619	1	EXHAUST	
33	58175121	1	COLLAR	
34	56177183	1	REINFORCED STRAP	
35	56178649	1	SPACER	

SERIAL
END

912460

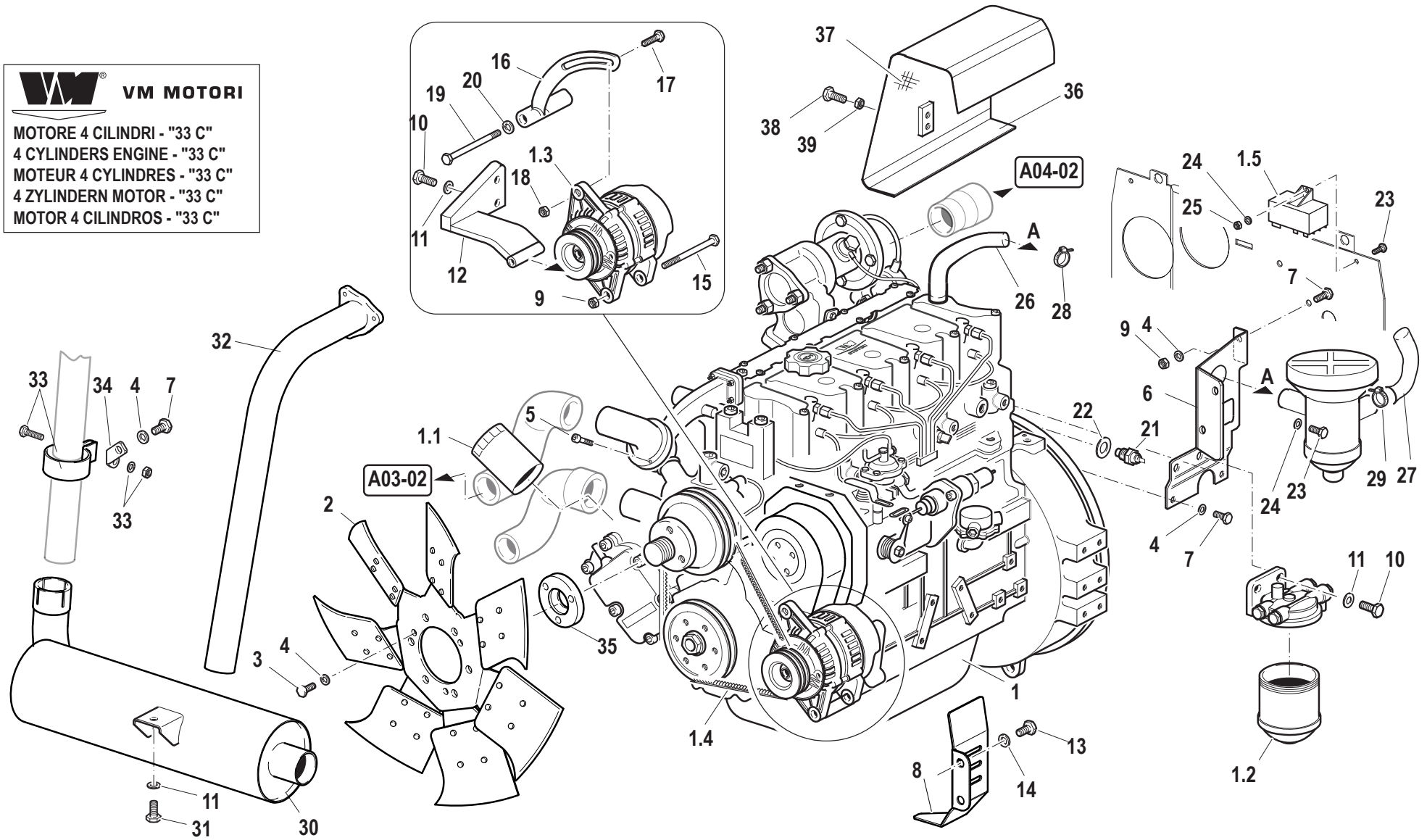
MOTORE

Hp 95

CODE REV

A.01.03.L60009_0

 **VM MOTORI**
MOTORE 4 CILINDRI - "33 C"
4 CYLINDERS ENGINE - "33 C"
MOTEUR 4 CYLINDRES - "33 C"
4 ZYLINDERN MOTOR - "33 C"
MOTOR 4 CILINDROS - "33 C"



Pos.	Code	Q.ty	Description	Notes
36	59077480	1	GUARD	
37	58077484	1	LINING	
38	F0838384000	2	STUD BOLT M10X25 UNI 5911 8.8	
39	31215100	2	NUT M10	
1.1	58171199	1	OIL FILTER CARTRIDGE	
1.2	58171200	1	FUEL FILTER CARTRIDGE	
1.3	59900344	1	ALTERNATOR	
1.4	59900766	1	BELT	
1.5	59900345	1	CENTRAL PROCESSING UNIT	

SERIAL
END


912460

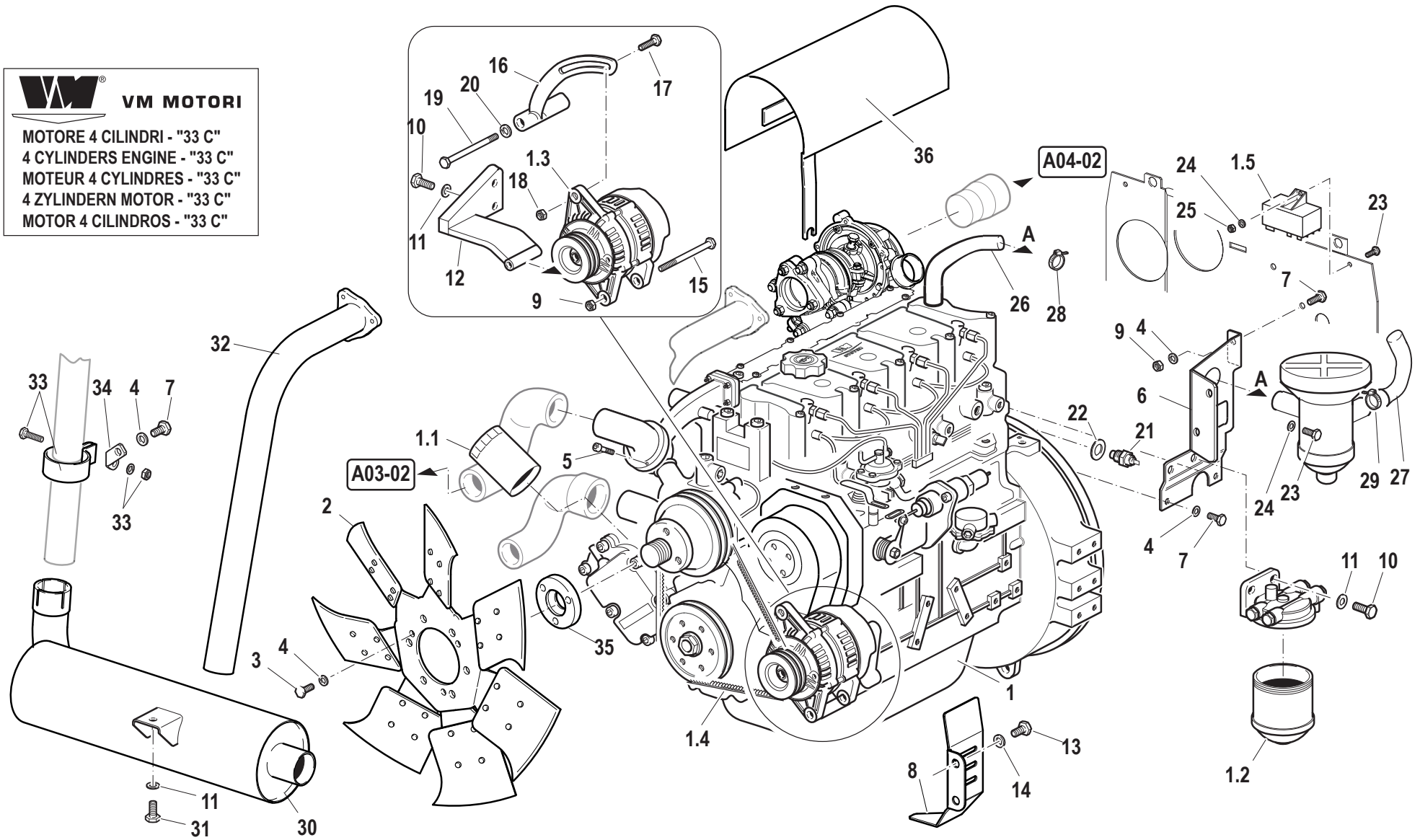
MOTORE

Hp 95

CODE REV

A.01.03.L60009_0

 **VM MOTORI**
MOTORE 4 CILINDRI - "33 C"
4 CYLINDERS ENGINE - "33 C"
MOTEUR 4 CYLINDRES - "33 C"
4 ZYLINDER MOTOR - "33 C"
MOTOR 4 CILINDROS - "33 C"




Pos.	Code	Q.ty	Description	Notes
1	41U70000	1	MOT.VM D754TE2.21A 67KW 33C/4	
2	58178646	1	FAN	
3	F0862694000	3	SCREW M8X170 UNI 5737	
4	F0843643060	7	WASHER 8	
5	F0862479035	1	SCREW	
6	59079167	1	RETAINER	
7	31111151	4	SCREW TE M8X16 UNI 5739 8G	
8	56177979	1	SHIELD	
9	31211080	2	NUT M8	
10	31112219	5	SCREW TE M10X25 UNI 5739	
11	F0843755000	6	WASHER 10	
12	59077318	1	SUPPORT	
13	31112082	2	SCREW TE M6X12 UNI 5739 8G	
14	31411064	2	WASHER 6,4x12,5	
15	31112174	1	SCREW TE M8X110 UNI 5737 8.8	
16	59076688	1	ROD	
17	31112153	1	SCREW TE M8X35 UNI 5739 8G	
18	31421083	1	WASHER	
19	F0864335020	1	SCREW M14X120 UNI 5737	
20	31421251	1	WASHER	
21	58175773	1	ELECTRONICAL THERMOMETER	
22	F0844030070	1	COPPER WASHER 16,0x22/1,5	
23	31112090	2	SCREW TE M6X16 UNI 5739 8G	
24	F0843570000	2	WASHER 6	
25	31211060	2	HEXAGONAL NUT M8	
26	55176744	1	PIPE	
27	58177400	1	OIL PIPE	
28	F0817500400	3	CLAMP 024,1-706R	
29	F0817500200	1	CLAMP 015,7-706R	
30	58176618	1	EXHAUST SILENCER	
31	31112210	1	SCREW TE M10X20 UNI 5739	
32	59076619	1	EXHAUST	
33	58175121	1	COLLAR	
34	56177183	1	REINFORCED STRAP	

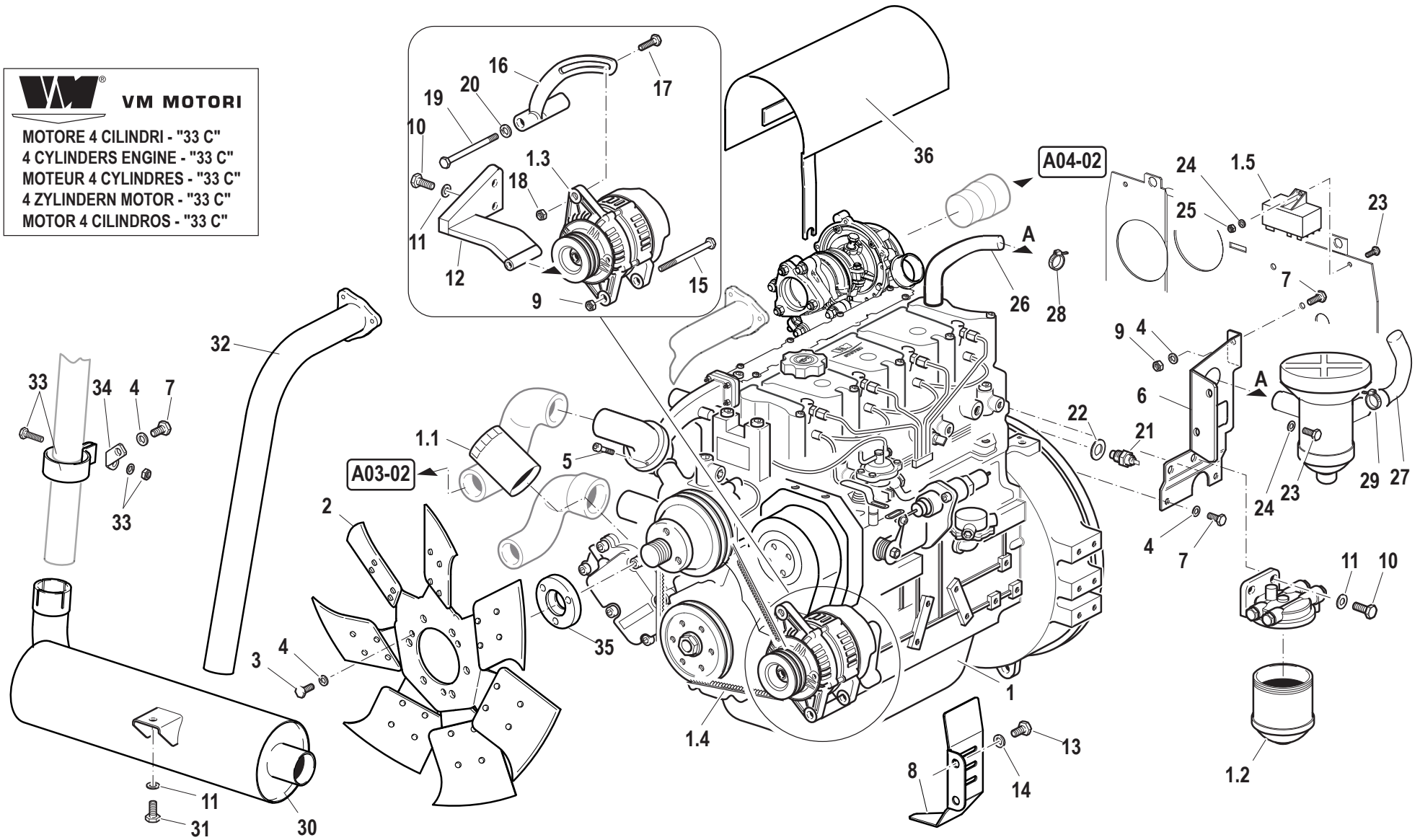
SERIAL
START
912641

END
916940

MOTORE
Hp 95

CODE REV
A.01.03.L60009_1

 **VM MOTORI**
MOTORE 4 CILINDRI - "33 C"
4 CYLINDERS ENGINE - "33 C"
MOTEUR 4 CYLINDRES - "33 C"
4 ZYLINDER MOTOR - "33 C"
MOTOR 4 CILINDROS - "33 C"



Pos.	Code	Q.ty	Description	Notes
35	56178649	1	SPACER	
36	59076682	1	GUARD	
1.1	58171199	1	OIL FILTER CARTRIDGE	
1.2	58171200	1	FUEL FILTER CARTRIDGE	
1.3	59900344	1	ALTERNATOR	
1.4	59900766	1	BELT	
1.5	59900345	1	CENTRAL PROCESSING UNIT	

SERIAL
START
912641

END
916940

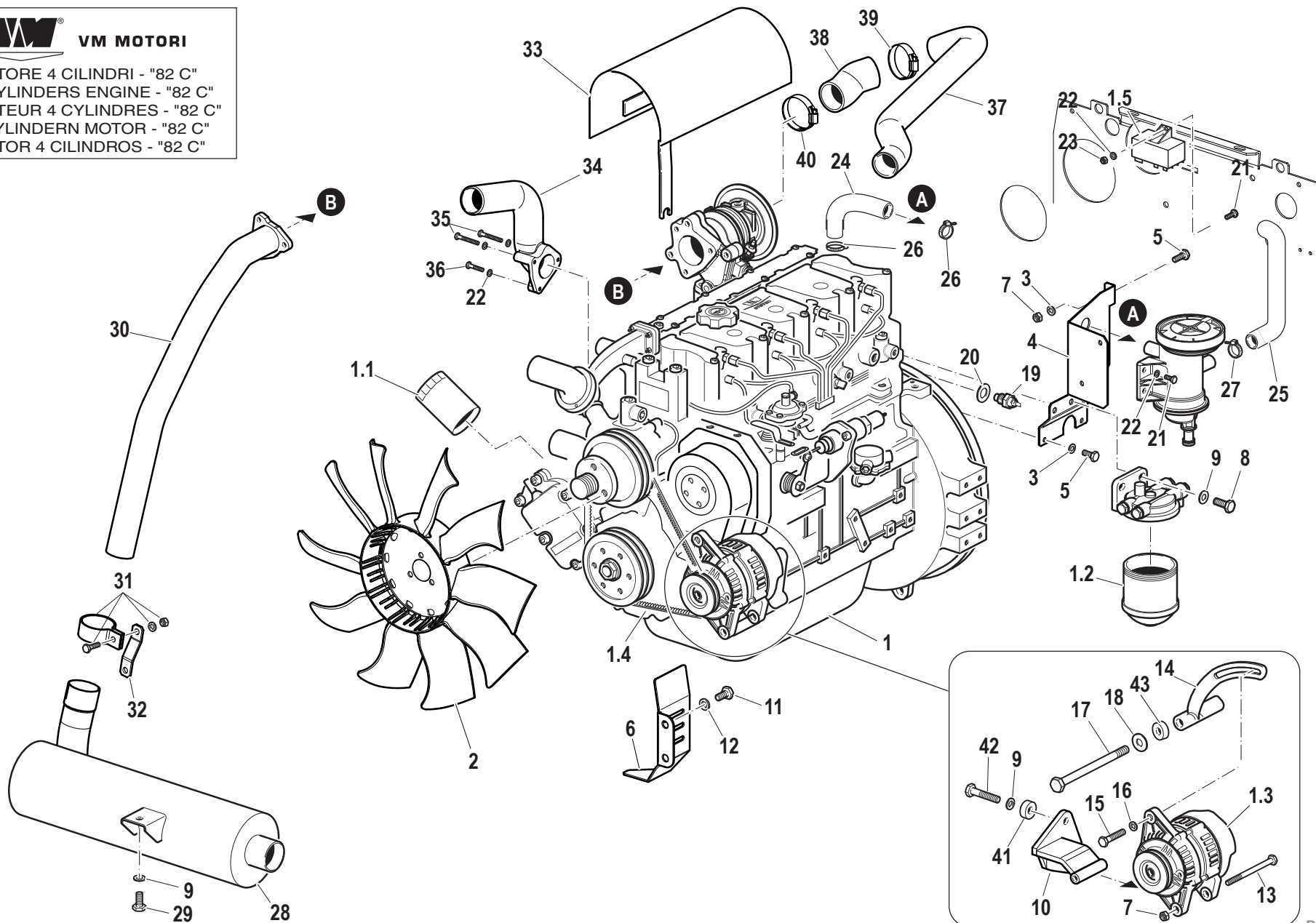
MOTORE
Hp 95

CODE REV
A.01.03.L60009_1

SERIAL START 916941

VM MOTORI

MOTORE 4 CILINDRI - "82 C"
 4 CYLINDERS ENGINE - "82 C"
 MOTEUR 4 CYLINDRES - "82 C"
 4 ZYLINDERN MOTOR - "82 C"
 MOTOR 4 CILINDROS - "82 C"



A.01.03.L60009_2

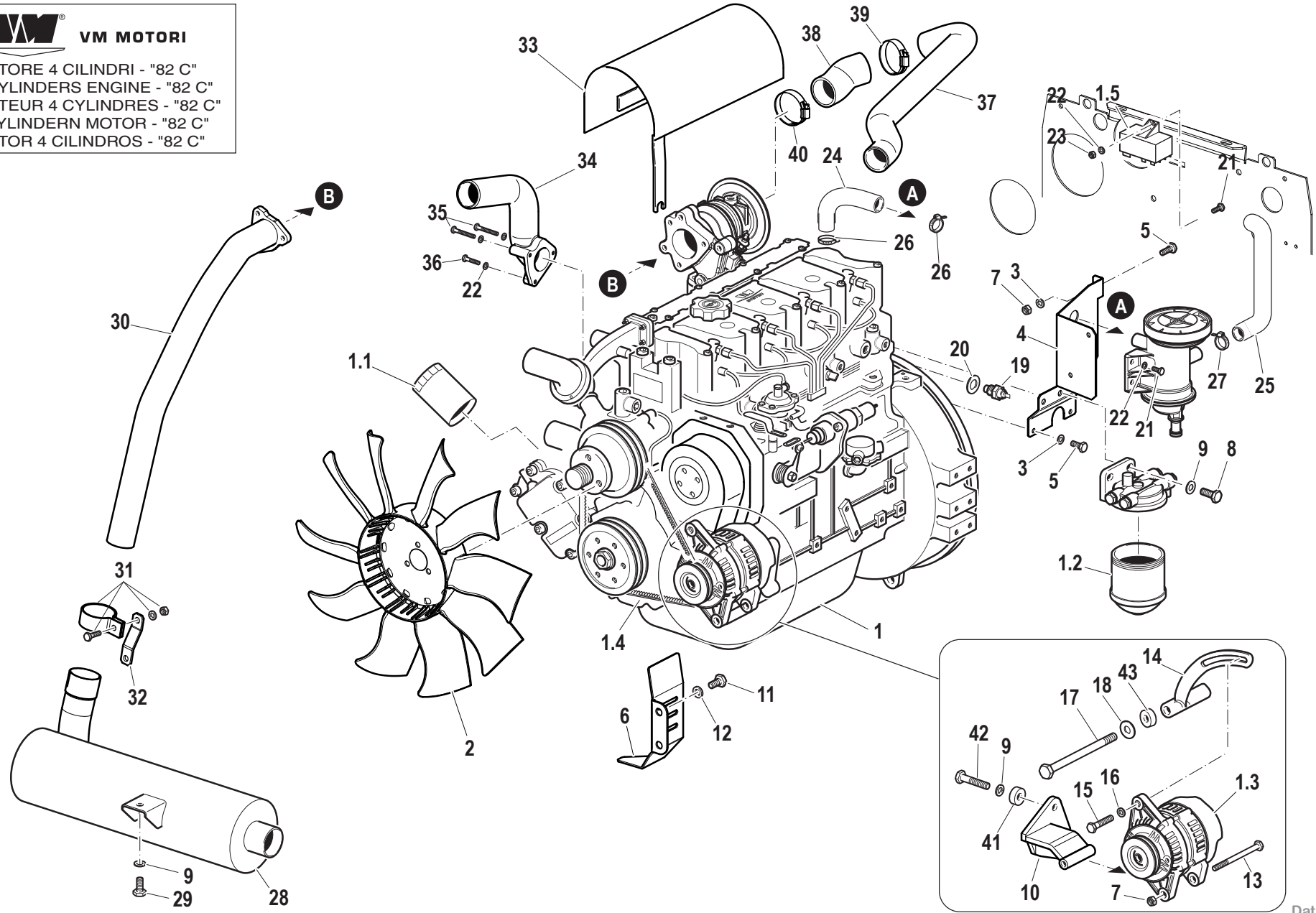
Pos.	Code	Q.ty	Description	Notes
1	41X20002	1	MOT.VM D754IE3.21A OM.82C/4 *	
2	58179704	1	FAN	
3	F0843643060	3	WASHER 8	
4	59079630	1	RETAINER	
5	31111151	3	SCREW TE M8X16 UNI 5739 8G	
6	56177979	1	SHIELD	
7	31211080	2	NUT M8	
8	31112219	2	SCREW TE M10X25 UNI 5739	
9	F0843755000	2	WASHER 10	
10	59077318	1	SUPPORT	
11	31112082	2	SCREW TE M6X12 UNI 5739 8G	
12	31411064	2	WASHER 6,4x12,5	
13	31112174	1	SCREW TE M8X110 UNI 5737 8.8	
14	590A0866	1	ROD	
15	31112153	1	SCREW TE M8X35 UNI 5739 8G	
16	31421083	1	WASHER	
17	F0864335020	1	SCREW M14X120 UNI 5737	
18	31421251	1	WASHER	
19	58175773	1	ELECTRONICAL THERMOMETER	
20	F0844030070	1	COPPER WASHER 16,0x22/1,5	
21	31112090	2	SCREW TE M6X16 UNI 5739 8G	
22	F0843570000	4	WASHER 6	
23	31211060	2	HEXAGONAL NUT M8	
24	55176744	1	PIPE	
25	580A1455	1	VENT HOSE	
26	F0817500400	3	CLAMP 024,1-706R	
27	F0817505200	1	FAS.10-19 SE519W4(30021119)*mr	
28	58179623	1	EXHAUST SILENCER	
29	31112208	1	SCREW TE M10X16 UNI 5739	
30	59079635	1	EXHAUST	
31	58175121	1	COLLAR	
32	56177183	1	REINFORCED STRAP	
33	59079624	1	GUARD	
34	51179551	1	MANIFOLD	

SERIAL
START
916941

MOTORE
Hp 95

CODE REV
A.01.03.L60009_2

VM MOTORI
 MOTORE 4 CILINDRI - "82 C"
 4 CYLINDERS ENGINE - "82 C"
 MOTEUR 4 CYLINDRES - "82 C"
 4 ZYLINDERN MOTOR - "82 C"
 MOTOR 4 CILINDROS - "82 C"



A.01.03.L60009_2

Pos.	Code	Q.ty	Description	Notes
35	31111102	2	SCREW TE M6X50 UNI 5737 8G	
36	31112086	1	SCREW TE M6X30 UNI 5737 8G	
37	56179603	1	CONNECTION PIPE	
38	58079703	1	SLEEVE	
39	F0817550100	1	CLAMP	
40	F0817500720	1	CLAMP 059,0-706	
41	56173110	3	SPACER	
42	31112212	3	SCREW TE M10X35 UNI 5739	
43	561A0867	1	SPACER	
1.1	58171199	1	OIL FILTER CARTRIDGE	
1.2	58171200	1	FUEL FILTER CARTRIDGE	
1.3	59901140	1	ALTERNATOR	
1.4	59901141	1	BELT	
1.5	59900345	1	CENTRAL PROCESSING UNIT	

SERIAL
START
916941

MOTORE
Hp 95

CODE REV
A.01.03.L60009_2

Pos.	Code	Q.ty	Description	Notes
35	31111102	2	SCREW TE M6X50 UNI 5737 8G	
5	31111151	3	SCREW TE M8X16 UNI 5739 8G	
11	31112082	2	SCREW TE M6X12 UNI 5739 8G	
36	31112086	1	SCREW TE M6X30 UNI 5737 8G	
21	31112090	2	SCREW TE M6X16 UNI 5739 8G	
15	31112153	1	SCREW TE M8X35 UNI 5739 8G	
13	31112174	1	SCREW TE M8X110 UNI 5737 8.8	
29	31112208	1	SCREW TE M10X16 UNI 5739	
42	31112212	3	SCREW TE M10X35 UNI 5739	
8	31112219	2	SCREW TE M10X25 UNI 5739	
23	31211060	2	HEXAGONAL NUT M8	
7	31211080	2	NUT M8	
12	31411064	2	WASHER 6,4x12,5	
16	31421083	1	WASHER	
18	31421251	1	WASHER	
45	33312383	3	RIVET A STR.3,8X12 ACC.INOX	
1	41X20002	1	MOT.VM D754IE3.21A OM.82C/4 *	
34	51179551	1	MANIFOLD	
24	55176744	1	PIPE	
41	56173110	3	SPACER	
32	56177183	1	REINFORCED STRAP	
6	56177979	1	SHIELD	
37	56179603	1	CONNECTION PIPE	
43	561A0867	1	SPACER	
38	58079703	1	SLEEVE	
25	580A1455	1	VENT HOSE	
1,1	58171199	1	OIL FILTER CARTRIDGE	
1,2	58171200	1	FUEL FILTER CARTRIDGE	
31	58175121	1	COLLAR	
19	58175773	1	ELECTRONICAL THERMOMETER	
28	58179623	1	EXHAUST SILENCER	
2	58179704	1	FAN	
10	59077318	1	SUPPORT	
33	59079624	1	GUARD	

SERIAL

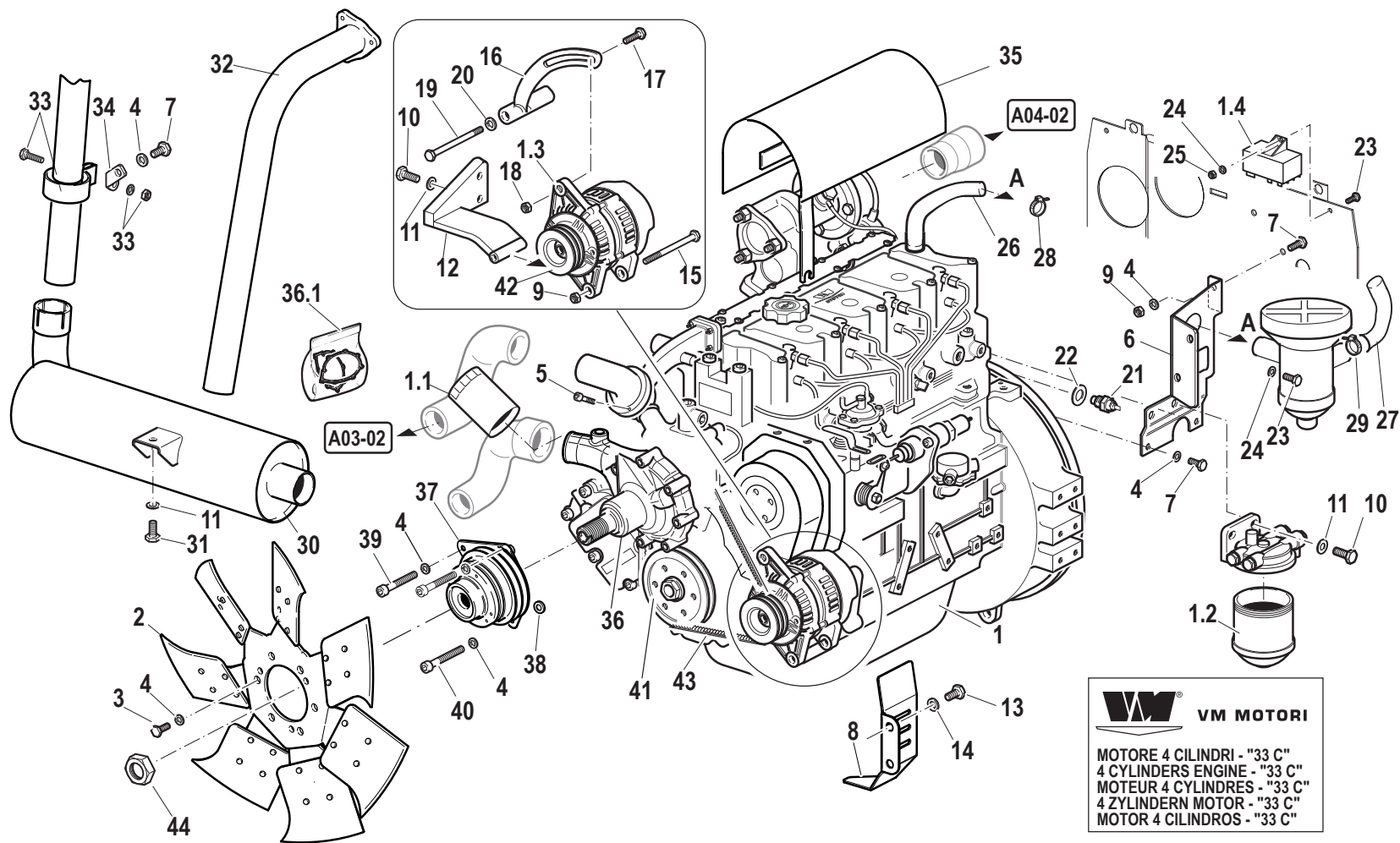
ENGINE

CODE REV

A.01.03.L60009_3

Pos.	Code	Q.ty	Description	Notes
4	59079630	1	RETAINER	
30	59079635	1	EXHAUST	
14	590A0866	1	ROD	
1,5	59900345	1	CENTRAL PROCESSING UNIT	
1,3	59901140	1	ALTERNATOR	
1,4	59901141	1	BELT	
44	561A2962Z	1	TERMINAL	
40	F0817500720	1	CLAMP 059,0-706	
27	F0817505200	1	FAS.10-19 SE519W4(30021119)*mr	
39	F0817550100	1	CLAMP	
22	F0843570000	4	WASHER 6	
3	F0843643060	3	WASHER 8	
9	F0843755000	2	WASHER 10	
20	F0844030070	1	COPPER WASHER 16,0x22/1,5	
17	F0864335020	1	SCREW M14X120 UNI 5737	

MOTORE (SELF CLEANING SYSTEM)



MOTORE 4 CILINDRI - "33 C"
4 CYLINDERS ENGINE - "33 C"
MOTEUR 4 CYLINDRES - "33 C"
4 ZYLINDERN MOTOR - "33 C"
MOTOR 4 CILINDROS - "33 C"

Pos.	Code	Q.ty	Description	Notes
1	41U70000	1	MOT.VM D754TE2.21A 67KW 33C/4	
2	58177891	1	FAN	
3	F0862495010	3	SCREW	
4	F0843643060	5	WASHER 8	
5	F0862479035	1	SCREW	
6	59079167	1	RETAINER	
7	31111151	4	SCREW TE M8X16 UNI 5739 8G	
8	56177979	1	SHIELD	
9	31211080	2	NUT M8	
10	31112219	5	SCREW TE M10X25 UNI 5739	
11	F0843755000	6	WASHER 10	
12	59077318	1	SUPPORT	
13	31112082	2	SCREW TE M6X12 UNI 5739 8G	
14	31411064	2	WASHER 6,4x12,5	
15	31112174	1	SCREW TE M8X110 UNI 5737 8.8	
16	59076688	1	ROD	
17	31112153	1	SCREW TE M8X35 UNI 5739 8G	
18	31421083	1	WASHER	
19	F0864335020	1	SCREW M14X120 UNI 5737	
20	31421251	1	WASHER	
21	58175773	1	ELECTRONICAL THERMOMETER	
22	F0844030070	1	COPPER WASHER 16,0x22/1,5	
23	31112090	2	SCREW TE M6X16 UNI 5739 8G	
24	F0843570000	2	WASHER 6	
25	31211060	2	HEXAGONAL NUT M8	
26	55176744	1	PIPE	
27	58177400	1	OIL PIPE	
28	F0817500400	3	CLAMP 024,1-706R	
29	F0817500200	1	CLAMP 015,7-706R	
30	58176618	1	EXHAUST SILENCER	
31	31112210	1	SCREW TE M10X20 UNI 5739	
32	59076619	1	EXHAUST	
33	58175121	1	COLLAR	
34	56177183	1	REINFORCED STRAP	

SERIAL
END

916940

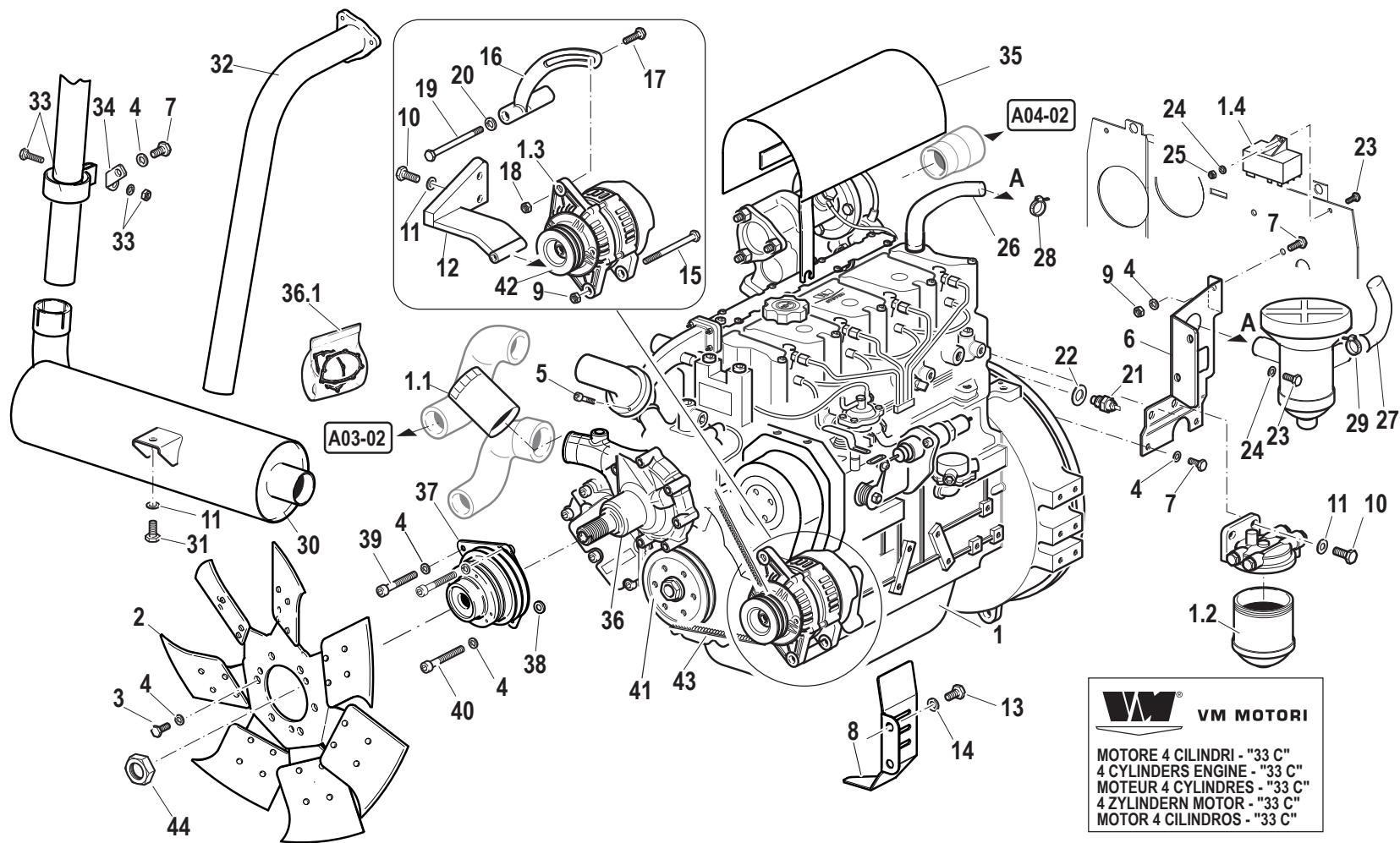
MOTORE (SELF CLEANING SYSTEM)

Hp 95

CODE REV

A.01.06.L60009_0

MOTORE (SELF CLEANING SYSTEM)



MOTORE 4 CILINDRI - "33 C"
4 CYLINDERS ENGINE - "33 C"
MOTEUR 4 CYLINDRES - "33 C"
4 ZYLINDERN MOTOR - "33 C"
MOTOR 4 CILINDROS - "33 C"

Pos.	Code	Q.ty	Description	Notes
35	59076682	1	GUARD	
36	58079130	1	PUMP	
37	58177811	1	CLUTCH	
38	56172079	1	SPACER	
39	31152088	2	SCREW TCEI M8X55 UNI 5931	
40	31112159	1	SCREW TE M8X65 UNI 5737 8G	
41	56377847	1	PULLEY	
42	56377846	1	PULLEY	
43	36220210	1	BELT	
44	59901264	1	RING NUT	
1.1	58171199	1	OIL FILTER CARTRIDGE	
1.2	58171200	1	FUEL FILTER CARTRIDGE	
1.3	59900344	1	ALTERNATOR	
1.4	59900345	1	CENTRAL PROCESSING UNIT	
36.1	59901265	1	GASKET SET	

SERIAL
END

916940

MOTORE (SELF CLEANING SYSTEM)

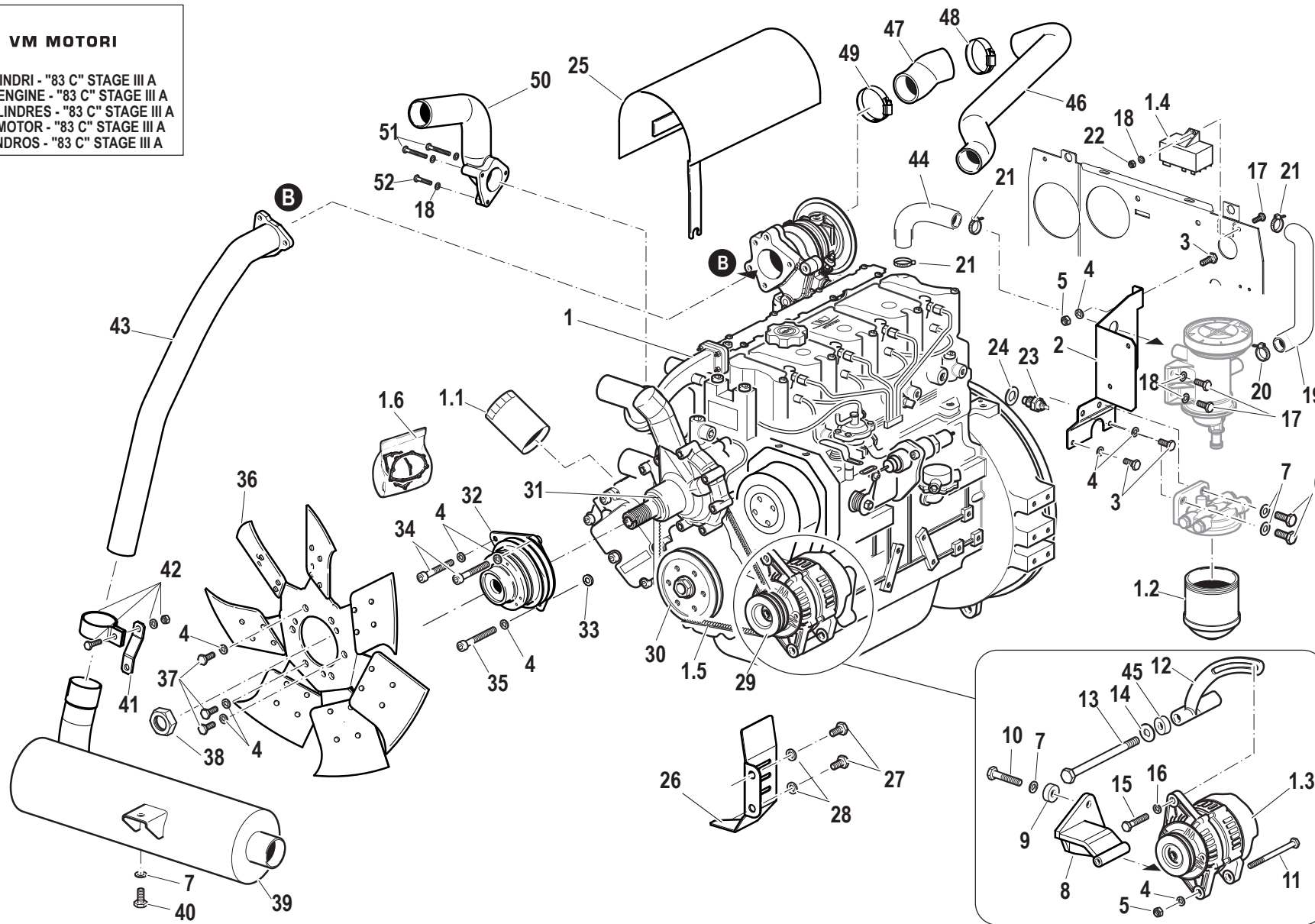
Hp 95

CODE REV

A.01.06.L60009_0

SERIAL START 916941

VM MOTORI
 MOTORE 4 CILINDRI - "83 C" STAGE III A
 4 CYLINDERS ENGINE - "83 C" STAGE III A
 MOTEUR 4 CYLINDRES - "83 C" STAGE III A
 4 ZYLINDER MOTOR - "83 C" STAGE III A
 MOTOR 4 CILINDROS - "83 C" STAGE III A



A.01.06.L60009_1

Pos.	Code	Q.ty	Description	Notes
1	41X10002	1	MOTORE VM D754TE3.21A OM.83C/4	
2	59079630	1	RETAINER	
3	31111151	3	SCREW TE M8X16 UNI 5739 8G	
4	F0843643060	10	WASHER 8	
5	31211080	2	NUT M8	
6	31112219	2	SCREW TE M10X25 UNI 5739	
7	F0843755000	6	WASHER 10	
8	59077318	1	SUPPORT	
9	56173110	3	SPACER	
10	31112212	3	SCREW TE M10X35 UNI 5739	
11	31112174	1	SCREW TE M8X110 UNI 5737 8.8	
12	590A0866	1	ROD	
13	F0864335020	1	SCREW M14X120 UNI 5737	
14	31421251	1	WASHER	
15	31112153	1	SCREW TE M8X35 UNI 5739 8G	
16	31421083	1	WASHER	
17	31112090	2	SCREW TE M6X16 UNI 5739 8G	
18	F0843570000	2	WASHER 6	
19	580A1455	1	VENT HOSE	
20	F0817505200	1	FAS.10-19 SE519W4(30021119)*mr	
21	P123298000000	3	CLAMP 16-25 SX9CW1	
22	31211060	1	HEXAGONAL NUT M8	
23	58175773	1	ELECTRONICAL THERMOMETER	
24	F0844030070	1	COPPER WASHER 16,0x22/1,5	
25	59079624	1	GUARD	
26	56177979	1	SHIELD	
27	31112082	2	SCREW TE M6X12 UNI 5739 8G	
28	31411064	2	WASHER 6,4x12,5	
29	563A0225	1	PULLEY ALTERNATOR	
30	563A0224	1	CRANK SHAFT PULLEY	
31	58079130	1	PUMP	
32	58177811	1	CLUTCH	
33	56172079	1	SPACER	
34	31152088	2	SCREW TCEI M8X55 UNI 5931	

SERIAL
START
916941

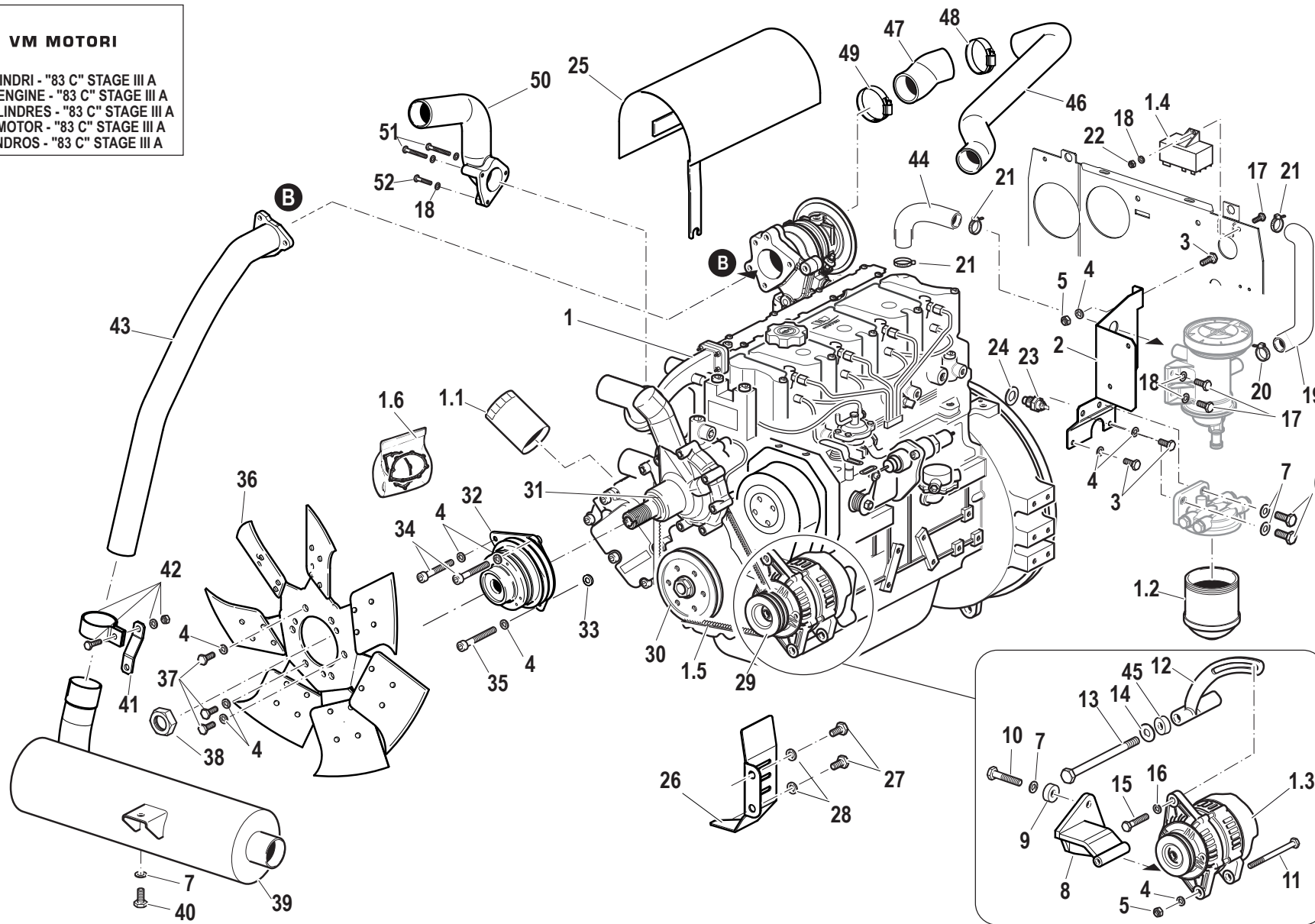
MOTORE (SELF CLEANING SYSTEM)

Hp 95

CODE REV

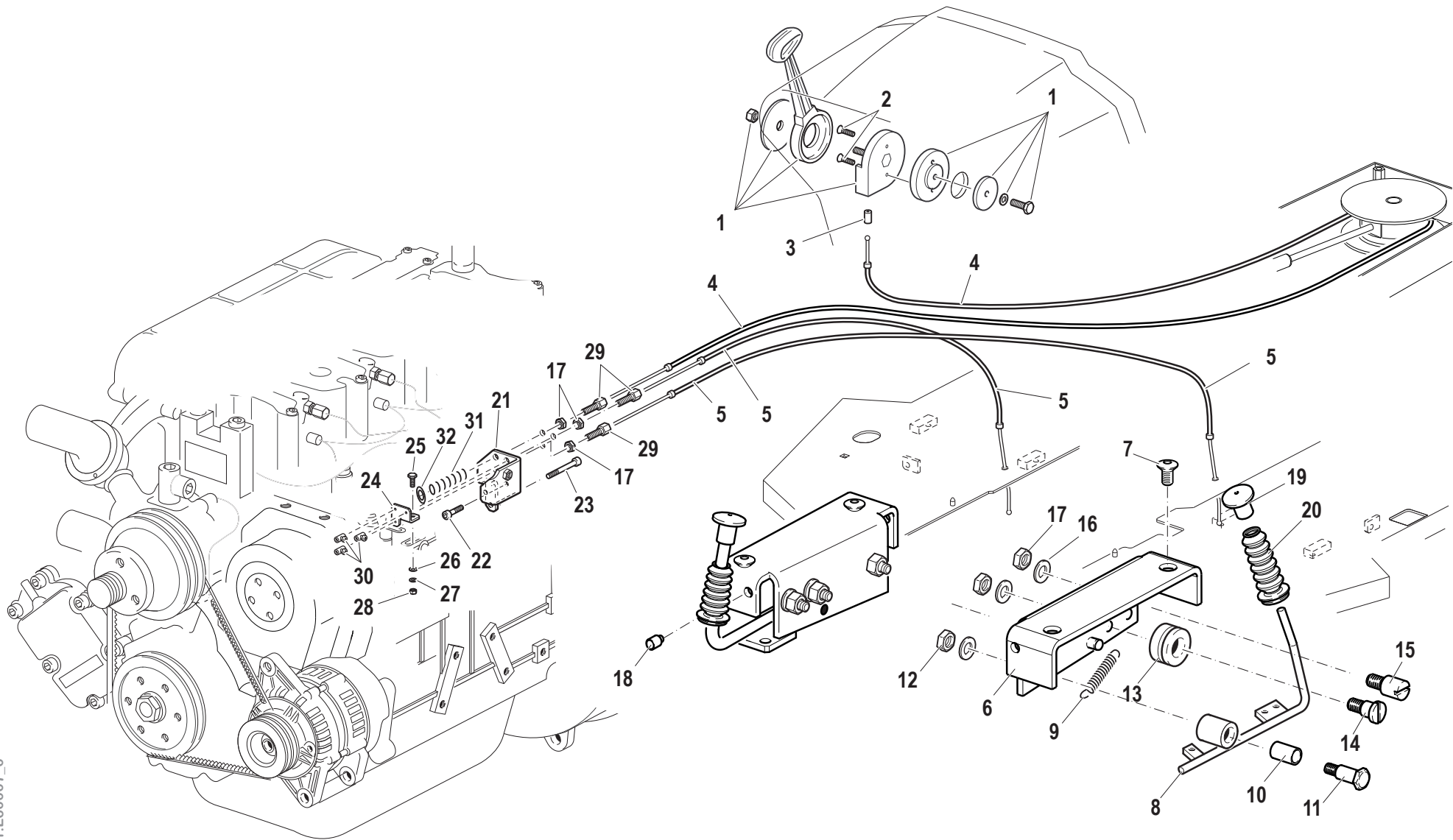
A.01.06.L60009_1

MOTORE 4 CILINDRI - "83 C" STAGE III A
4 CYLINDERS ENGINE - "83 C" STAGE III A
MOTEUR 4 CYLINDRES - "83 C" STAGE III A
4 ZYLINDER MOTOR - "83 C" STAGE III A
MOTOR 4 CILINDROS - "83 C" STAGE III A



Pos.	Code	Q.ty	Description	Notes
35	31112159	1	SCREW TE M8X65 UNI 5737 8G	
36	58179705	1	FAN	
37	F0862495010	3	SCREW	
38	59901264	1	RING NUT	
39	58179623	1	EXHAUST SILENCER	
40	31112208	1	SCREW TE M10X16 UNI 5739	
41	56177183	1	REINFORCED STRAP	
42	58175121	1	COLLAR	
43	59079635	1	EXHAUST	
44	55176744	1	PIPE	
45	561A0867	1	SPACER	
46	56179603	1	CONNECTION PIPE	
47	58079703	1	SLEEVE	
48	F0817550100	1	CLAMP	
49	F0817500720	1	CLAMP 059,0-706	
50	51179551	1	MANIFOLD	
51	31111102	2	SCREW TE M6X50 UNI 5737 8G	
52	31112086	1	SCREW TE M6X30 UNI 5737 8G	
1.1	58171199	1	OIL FILTER CARTRIDGE	
1.2	58171200	1	FUEL FILTER CARTRIDGE	
1.3	59901140	1	ALTERNATOR	
1.4	59900345	1	CENTRAL PROCESSING UNIT	
1.5	581A0290	1	ENGINE BELT	
1.6	59901265	1	GASKET SET	

SERIAL END 916940



A.02.01.L60007_0

Pos.	Code	Q.ty	Description	Notes
1	P238106000000	1	ACCELERATOR	
2	31132562	2	SCREW TSVEI M6X16 UNI 5933	
3	F0858520000	1	SLEEVE	
4	58078625	1	CABLE	
5	58077361	2	CABLE	
6	59077107	2	BRACKET	
7	F0862481000	4	SCREW M8x16 UNI 5933	
8	59077101	2	ACCEL. PEDAL	
9	58073227	2	SPRING	
10	30030016	2	BUSHING 14x25	
11	56377112	2	SCREW	
12	31241101	2	SELFLOCK NUT M10	
13	57377106	2	PULLEY	
14	56375436	2	HINGE PIN	
15	56177648	2	GUIDE PIN	
16	F0843643060	4	WASHER 8	
17	31231080	7	NUT M8	
18	58177111	2	SLEEVE	
19	57377110	2	FOOT REST	
20	55277307	2	BELLOWS	
21	56174661	1	BRACKET	
22	31152060	1	SCREW TCEI M6X30 UNI 5931	
23	31152068	1	SCREW TCEI M6X55 UNI 5931	
24	56177655	1	BRACKET	
25	31112051	1	SCREW TE M5X14 UNI 5739 8G	
26	31411053	1	WASHER 5,3x10	
27	F0843561000	1	WASHER 5	
28	31211050	1	NUT M5	
29	56177656	3	REGISTER	
30	58048002	4	CLAMPING SCREW	
31	F0831065000	1	SPRING	
32	56177641	1	STOP	

SERIAL
END

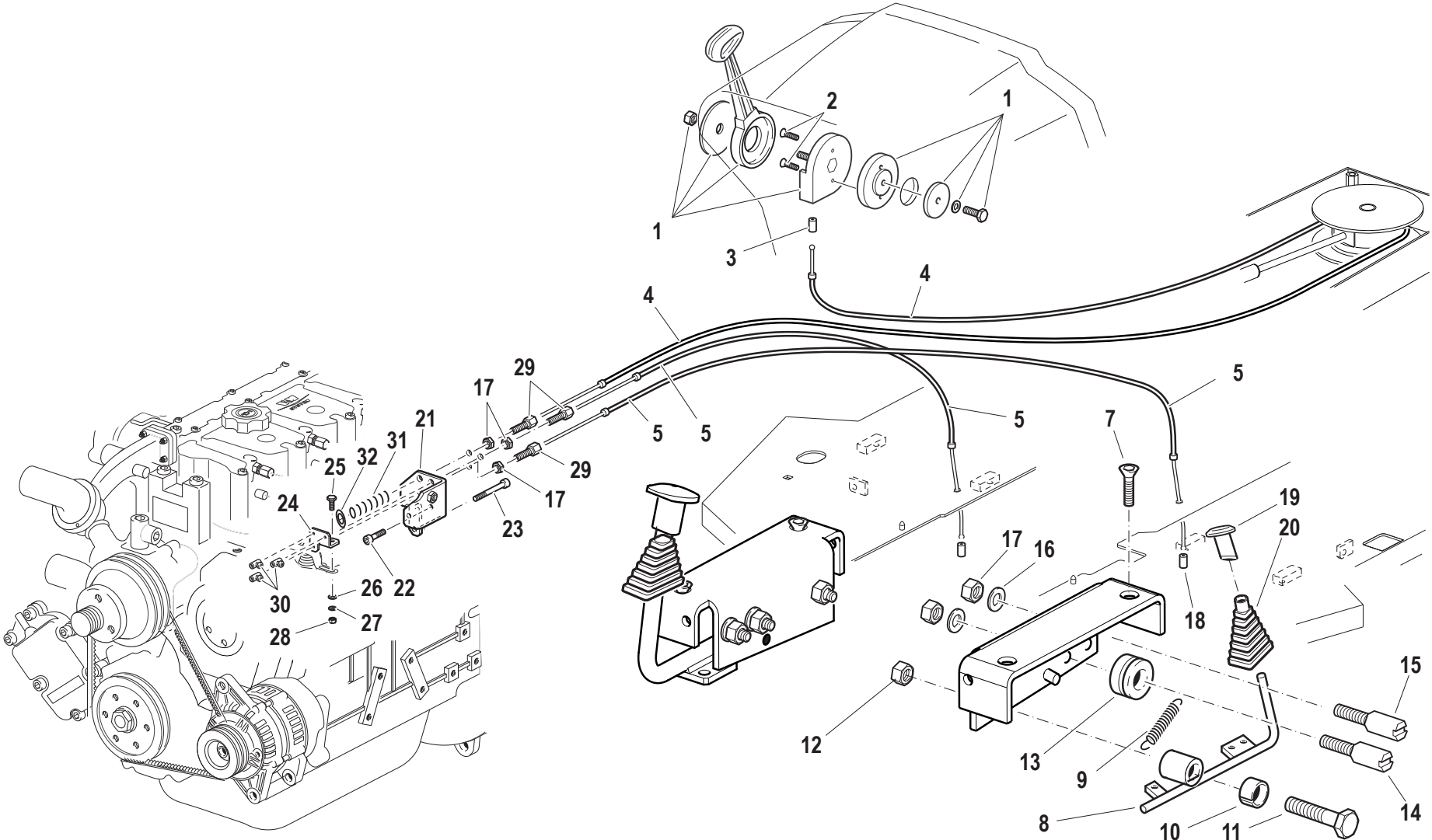
916940

ENGINE CONTROLS

Hp 75

CODE REV

A.02.01.L60007_0



Pos.	Code	Q.ty	Description	Notes
1	P238106000000	1	ACCELERATOR	
2	31132562	2	SCREW TSVEI M6X16 UNI 5933	
3	F0858520000	1	SLEEVE	
4	58078625	1	CABLE	
5	58077361	2	CABLE	
6	59077107	2	BRACKET	
7	F0862481000	4	SCREW M8x16 UNI 5933	
8	59077101	2	ACCEL. PEDAL	
9	58073227	2	SPRING	
10	30030016	2	BUSHING 14x25	
11	56377112	2	SCREW	
12	31241101	2	SELFLOCK NUT M10	
13	57377106	2	PULLEY	
14	56375436	2	HINGE PIN	
15	56177648	2	GUIDE PIN	
16	F0843643060	4	WASHER 8	
17	31231080	7	NUT M8	
18	58177111	2	SLEEVE	
19	57377110	2	FOOT REST	
20	55277307	2	BELLOWS	
21	56174661	1	BRACKET	
22	31152060	1	SCREW TCEI M6X30 UNI 5931	
23	31152068	1	SCREW TCEI M6X55 UNI 5931	
24	56177655	1	BRACKET	
25	31112051	1	SCREW TE M5X14 UNI 5739 8G	
26	31411053	1	WASHER 5,3x10	
27	F0843561000	1	WASHER 5	
28	31211050	1	NUT M5	
29	56177656	3	REGISTER	
30	58048002	4	CLAMPING SCREW	
31	F0831065000	1	SPRING	
32	56177641	1	STOP	

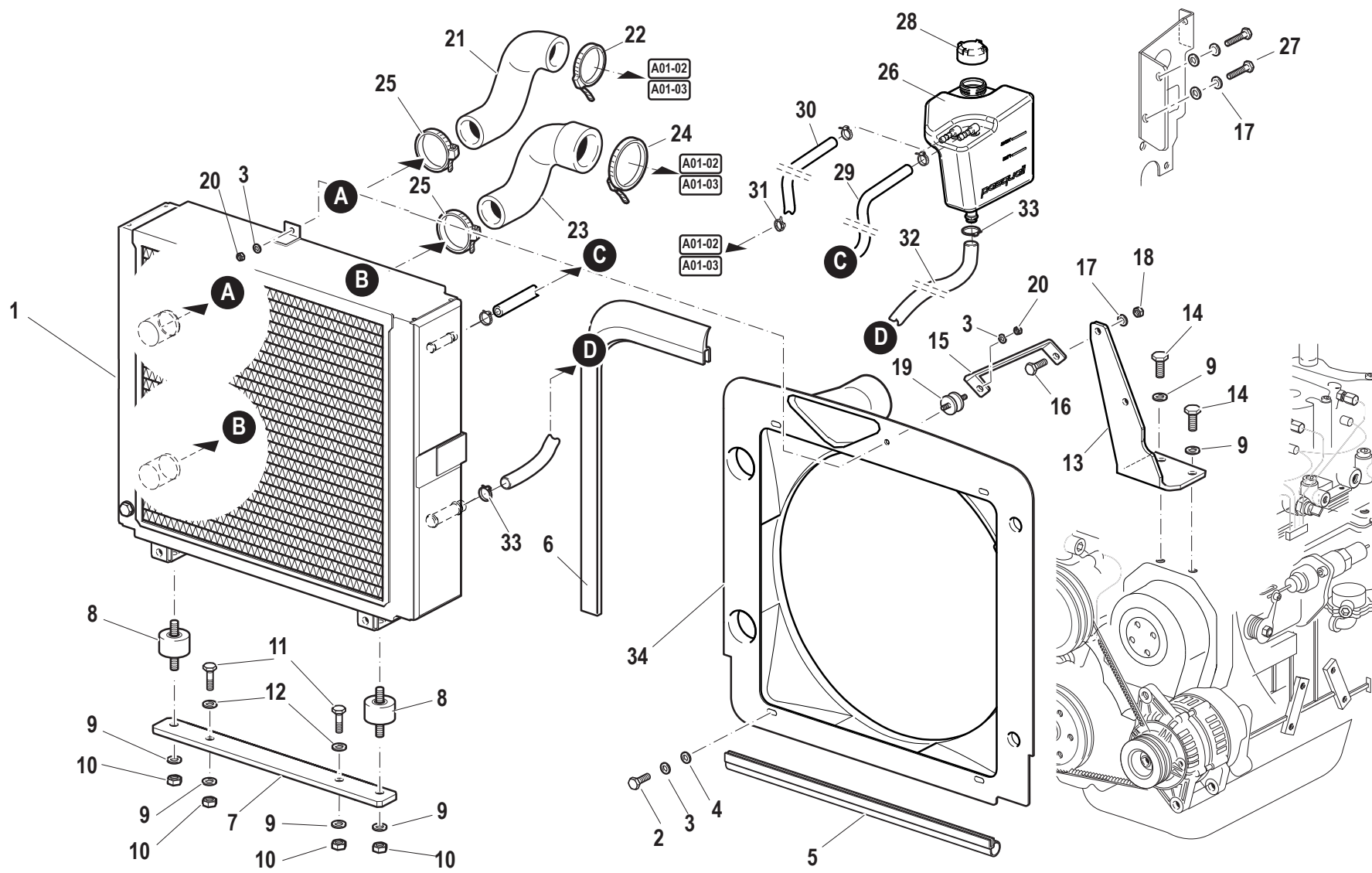
SERIAL
START
916941

COMANDI MOTORE

CODE REV

A.02.01.L60008_1

RADIATORE



Pos.	Code	Q.ty	Description	Notes
1	58176715	1	RADIATOR	064/06
2	31111091	4	SCREW E M6X14 UNI 5739 8G	
3	F0843570000	6	WASHER 6	
4	31411066	4	WASHER 6,6x18	
5	28174882		GASKET	
6	F0256809050		GASKET	
7	56178805	1	BRACKET	
8	58174608	2	SILENT-BLOCK	
9	F0843755000	5	WASHER 10	
10	F0814632000	4	NUT M10	
11	31112212	2	SCREW TE M10X35 UNI 5739	
12	56178806	2	SPACER	
13	59076684	1	FIXING BRACKET	
14	31152103	1	SCREW TCEI M10X25 UNI 5931	
15	56176691	1	FIXING BRACKET	
16	31112151	1	SCREW TE M8X25 UNI 5739 8G	
17	F0843643060	3	WASHER 8	
18	31211080	1	NUT M8	
19	F0849206005	1	SILENT-BLOCK	
20	F0814545000	2	NUT M6	
21	55174632	1	SLEEVE	
22	F0817500500	1	CLAMP 048,5-706R	
23	55177639	1	SLEEVE	
24	F0817500700	1	CLAMP 057,5-706R	
25	F0817500470	2	CLAMP	
26	P236340000000	1	CUP	134/09 NR
27	31111151	2	SCREW TE M8X16 UNI 5739 8G	
28	P236220000000	1	PLUG	
29	58078677	1	VENT HOSE	
30	58075873	1	VENT HOSE	
31	F0817500200	4	CLAMP 015,7-706R	
32	58077132	1	PIPE	
33	F0817500400	2	CLAMP 024,1-706R	
34	58176611	1	DUCT	064/06

SERIAL
END

910153

RADIATORE

Hp 85

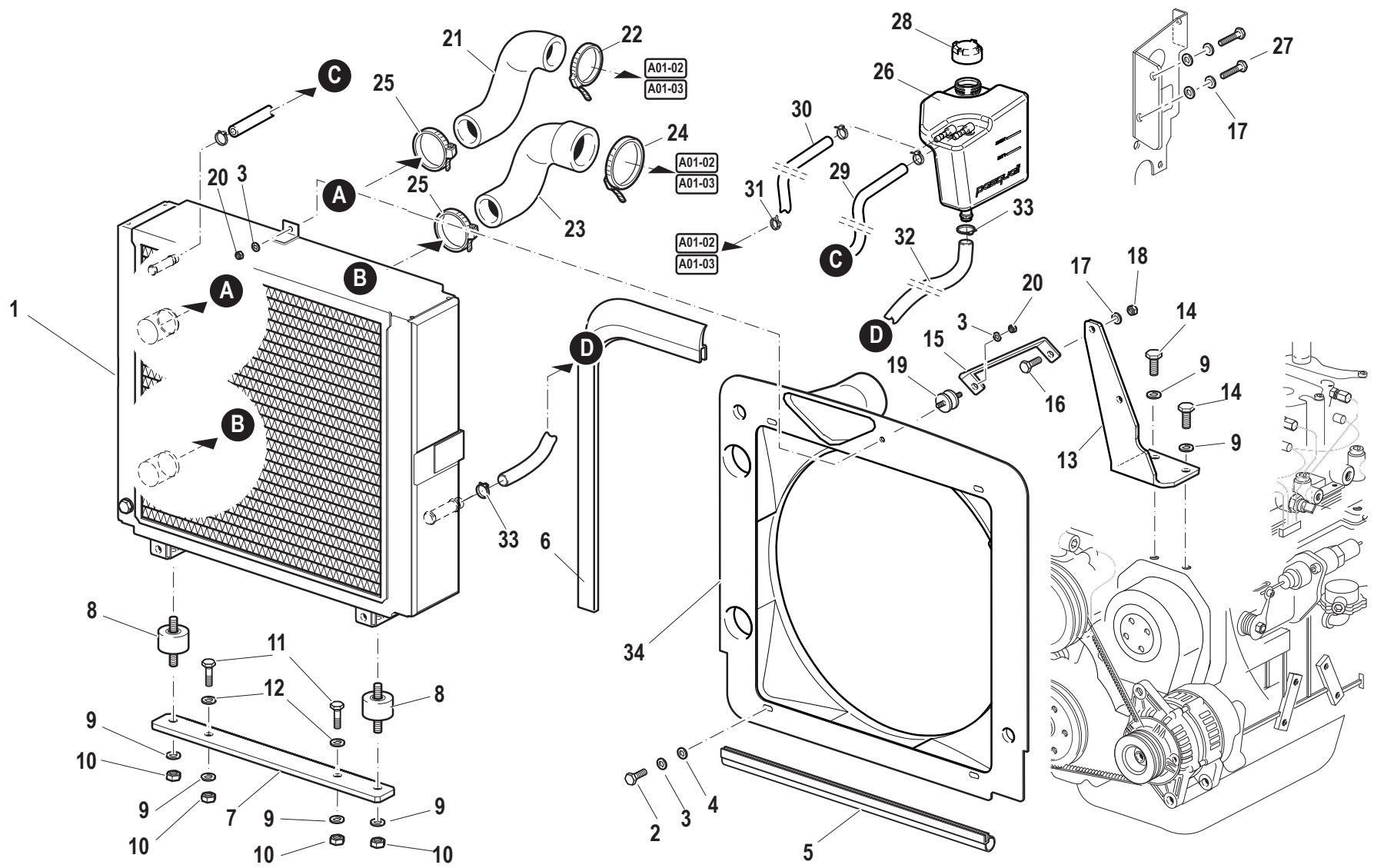
CODE REV

A.03.03.L60008_0

RADIATORE

SERIAL START 910154 END 916940

A.03.03.L60008_1



A.03.03.L60008_1

Pos.	Code	Q.ty	Description	Notes
1	58178585	1	RADIATOR	064/06
2	31111091	4	SCREW E M6X14 UNI 5739 8G	
3	F0843570000	6	WASHER 6	
4	31411066	4	WASHER 6,6x18	
5	28174882		GASKET	
6	F0256809050		GASKET	
7	56178805	1	BRACKET	
8	58174608	2	SILENT-BLOCK	
9	F0843755000	5	WASHER 10	
10	F0814632000	4	NUT M10	
11	31112212	2	SCREW TE M10X35 UNI 5739	
12	56178806	2	SPACER	
13	59076684	1	FIXING BRACKET	
14	31152103	1	SCREW TCEI M10X25 UNI 5931	
15	56176691	1	FIXING BRACKET	
16	31112151	1	SCREW TE M8X25 UNI 5739 8G	
17	F0843643060	3	WASHER 8	
18	31211080	1	NUT M8	
19	F0849206005	1	SILENT-BLOCK	
20	F0814545000	2	NUT M6	
21	55174632	1	SLEEVE	
22	F0817500500	1	CLAMP 048,5-706R	
23	55177639	1	SLEEVE	
24	F0817500700	1	CLAMP 057,5-706R	
25	F0817500470	2	CLAMP	
26	P236340000000	1	CUP	134/09 NR
27	31111151	2	SCREW TE M8X16 UNI 5739 8G	
28	P236220000000	1	PLUG	
29	58078677	1	VENT HOSE	
30	58075873	1	VENT HOSE	
31	F0817500200	4	CLAMP 015,7-706R	
32	58077132	1	PIPE	
33	F0817500400	2	CLAMP 024,1-706R	
34	58178638	1	DUCT	064/06

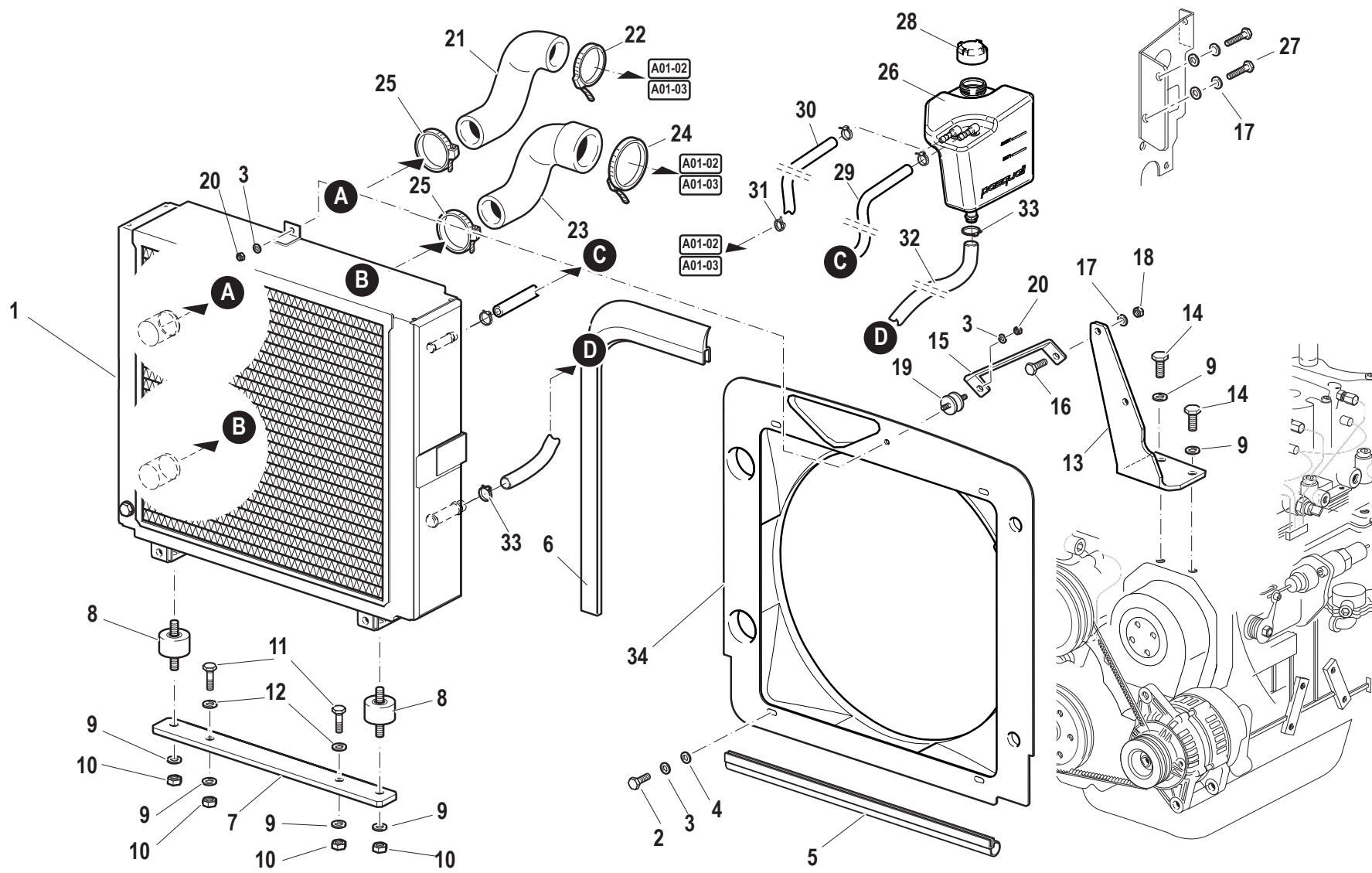
SERIAL
START
910154

END
916940

RADIATORE
Hp 85

CODE REV
A.03.03.L60008_1

RADIATORE



Pos.	Code	Q.ty	Description	Notes
1	58176715	1	RADIATOR	064/06
2	31112082	4	SCREW TE M6X12 UNI 5739 8G	
3	F0843570000	6	WASHER 6	
4	31411064	4	WASHER 6,4x12,5	
5	28174882	0	GASKET	
6	F0256809050	0	GASKET	
7	56178805	1	BRACKET	
8	58174608	2	SILENT-BLOCK	
9	F0843755000	5	WASHER 10	
10	F0814632000	4	NUT M10	
11	31112212	2	SCREW TE M10X35 UNI 5739	
12	56178806	2	SPACER	
13	59076684	1	FIXING BRACKET	
14	31152103	1	SCREW TCEI M10X25 UNI 5931	
15	56176691	1	FIXING BRACKET	
16	31112151	1	SCREW TE M8X25 UNI 5739 8G	
17	F0843643060	3	WASHER 8	
18	31211080	1	NUT M8	
19	F0849206005	1	SILENT-BLOCK	
20	F0814545000	2	NUT M6	
21	55174632	1	SLEEVE	
22	F0817500500	1	CLAMP 048,5-706R	
23	55177639	1	SLEEVE	
24	F0817500700	1	CLAMP 057,5-706R	
25	F0817500470	2	CLAMP	
26	P236340000000	1	CUP	134/09
27	31111151	2	SCREW TE M8X16 UNI 5739 8G	
28	P236220000000	1	PLUG	
29	58078677	1	VENT HOSE	
30	58075873	1	VENT HOSE	
31	F0817500200	4	CLAMP 015,7-706R	
32	58077132	1	PIPE	
33	F0817500400	2	CLAMP 024,1-706R	
34	58177194	1	DUCT	064/06

SERIAL
END

910153

RADIATORE

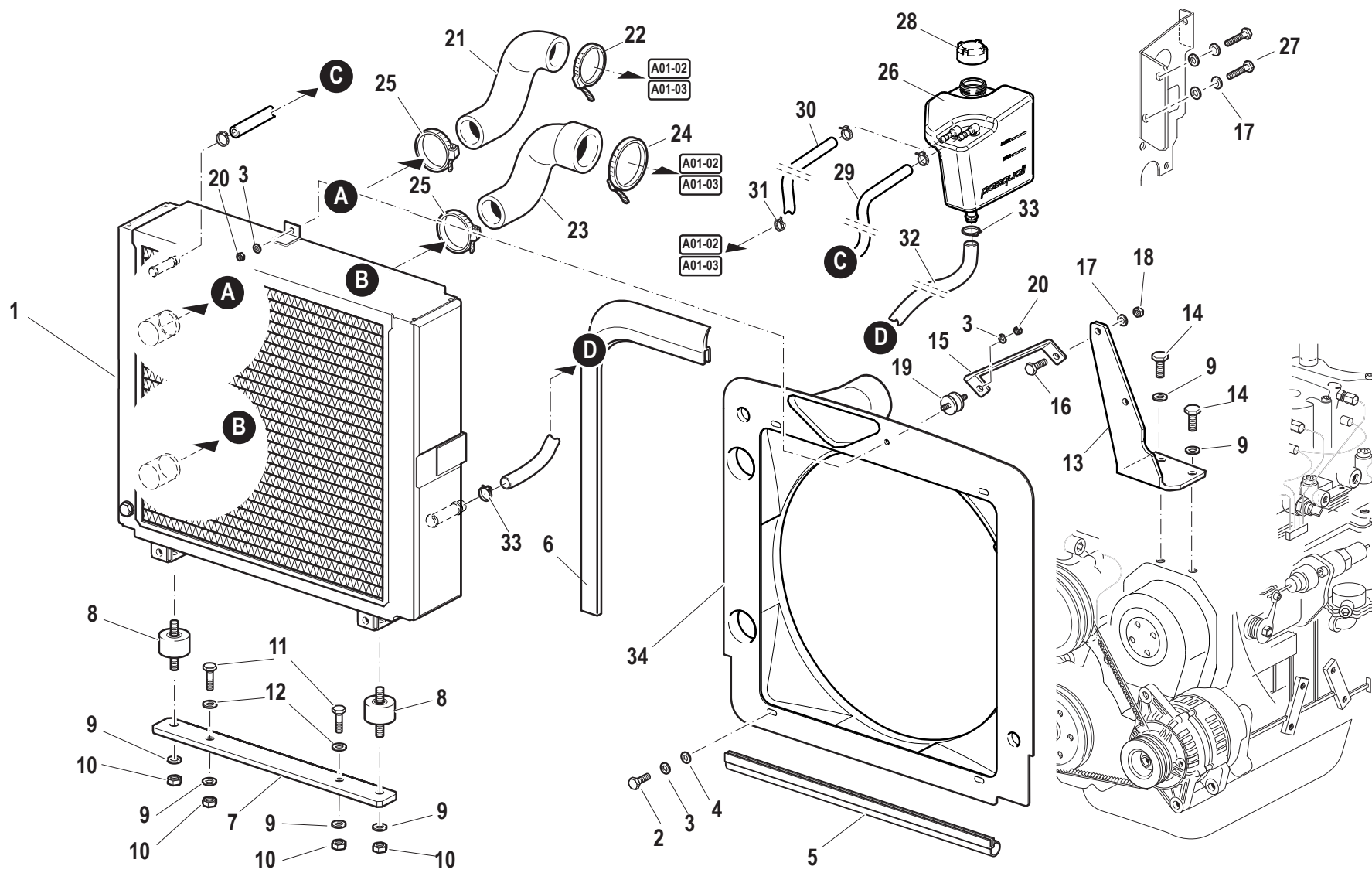
CODE REV

A.03.05.L60008_0

RADIATORE

SERIAL START 910154 END 916940

A.03.05.L60008_1



A.03.05.L60008_1

Pos.	Code	Q.ty	Description	Notes
1	58178585	1	RADIATOR	064/06
2	31112082	4	SCREW TE M6X12 UNI 5739 8G	
3	F0843570000	6	WASHER 6	
4	31411064	4	WASHER 6,4x12,5	
5	28174882	0	GASKET	
6	F0256809050	0	GASKET	
7	56178805	1	BRACKET	
8	58174608	2	SILENT-BLOCK	
9	F0843755000	5	WASHER 10	
10	F0814632000	4	NUT M10	
11	31112212	2	SCREW TE M10X35 UNI 5739	
12	56178806	2	SPACER	
13	59076684	1	FIXING BRACKET	
14	31152103	1	SCREW TCEI M10X25 UNI 5931	
15	56176691	1	FIXING BRACKET	
16	31112151	1	SCREW TE M8X25 UNI 5739 8G	
17	F0843643060	3	WASHER 8	
18	31211080	1	NUT M8	
19	F0849206005	1	SILENT-BLOCK	
20	F0814545000	2	NUT M6	
21	55174632	1	SLEEVE	
22	F0817500500	1	CLAMP 048,5-706R	
23	55177639	1	SLEEVE	
24	F0817500700	1	CLAMP 057,5-706R	
25	F0817500470	2	CLAMP	
26	P236340000000	1	CUP	139/04
27	31111151	2	SCREW TE M8X16 UNI 5739 8G	
28	P236220000000	1	PLUG	
29	58078677	1	VENT HOSE	
30	58075873	1	VENT HOSE	
31	F0817500200	4	CLAMP 015,7-706R	
32	58077132	1	PIPE	
33	F0817500400	2	CLAMP 024,1-706R	
34	58178639	1	DUCT	064/06

SERIAL
START
910154

END
916940

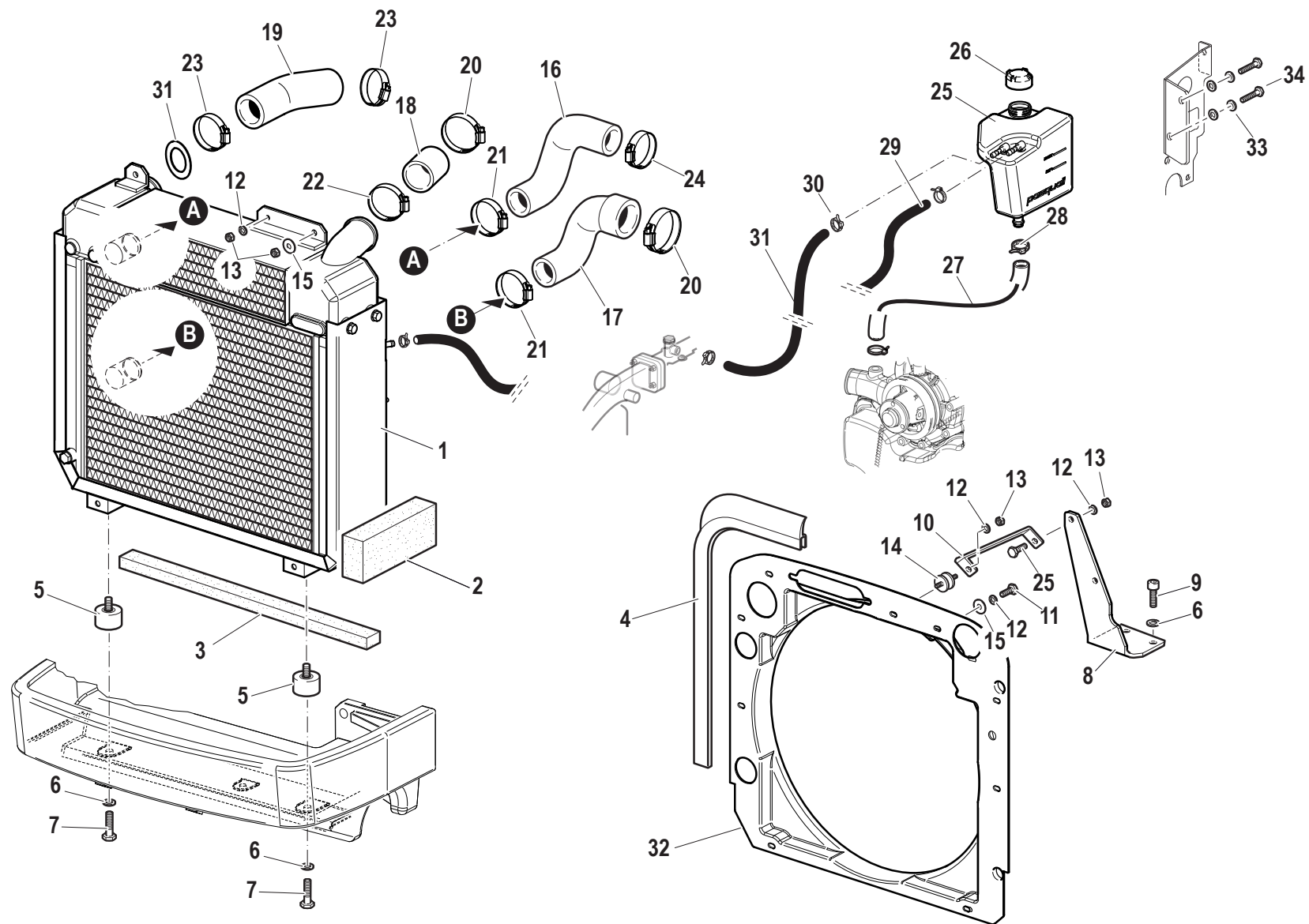
RADIATORE

CODE REV
A.03.05.L60008_1

RADIATORE

SERIAL START 916941 END 918549

A.03.05.L60009_2



Pos.	Code	Q.ty	Description	Notes
1	58179335	1	RADIATOR	05/08
2	57375461	1	CELLULAR FOAM	
3	F0256910000	1	FOAM PROFILE 5X20	
4	F0256809050	1	GASKET	
5	58179783	2	SILENT-BLOCK	
6	F0843755000	3	WASHER 10	
7	31112229	2	SCREW M10x22 UNI 5739	
8	59079626	1	FIXING BRACKET	
9	31152103	1	SCREW TCEI M10X25 UNI 5931	
10	56179627	1	RETAINER	
11	31112093	5	SCREW TE M6X20	
12	F0843570000	7	WASHER 6	
13	31211060	7	HEXAGONAL NUT M8	
14	F0849206005	1	SILENT-BLOCK	
15	31411066	5	WASHER 6,6x18	
16	55179622	1	SLEEVE	
17	55179621	1	SLEEVE	
18	58079703	1	SLEEVE	
19	58079620	1	SLEEVE	
20	F0817500700	1	CLAMP 057,5-706R	
21	F0817500470	2	CLAMP	
22	F0817500720	1	CLAMP 059,0-706	
23	F0817500820	2	CLAMP 063,5-706R	
24	F0817500500	1	CLAMP 048,5-706R	
25	P236340000000	1	CUP	134/09 NR
26	P236220000000	1	PLUG	
27	F0256612916	1	PIPE	
28	F0817500410	2	CLAMP 025,6-706R	
29	58078677	1	VENT HOSE	
30	F0817500200	4	CLAMP 015,7-706R	
31	58075873	1	VENT HOSE	
32	58179599	1	DUCT	
33	F0843643060	2	WASHER 8	
34	31111151	2	SCREW TE M8X16 UNI 5739 8G	

SERIAL
START
916941

END
918549

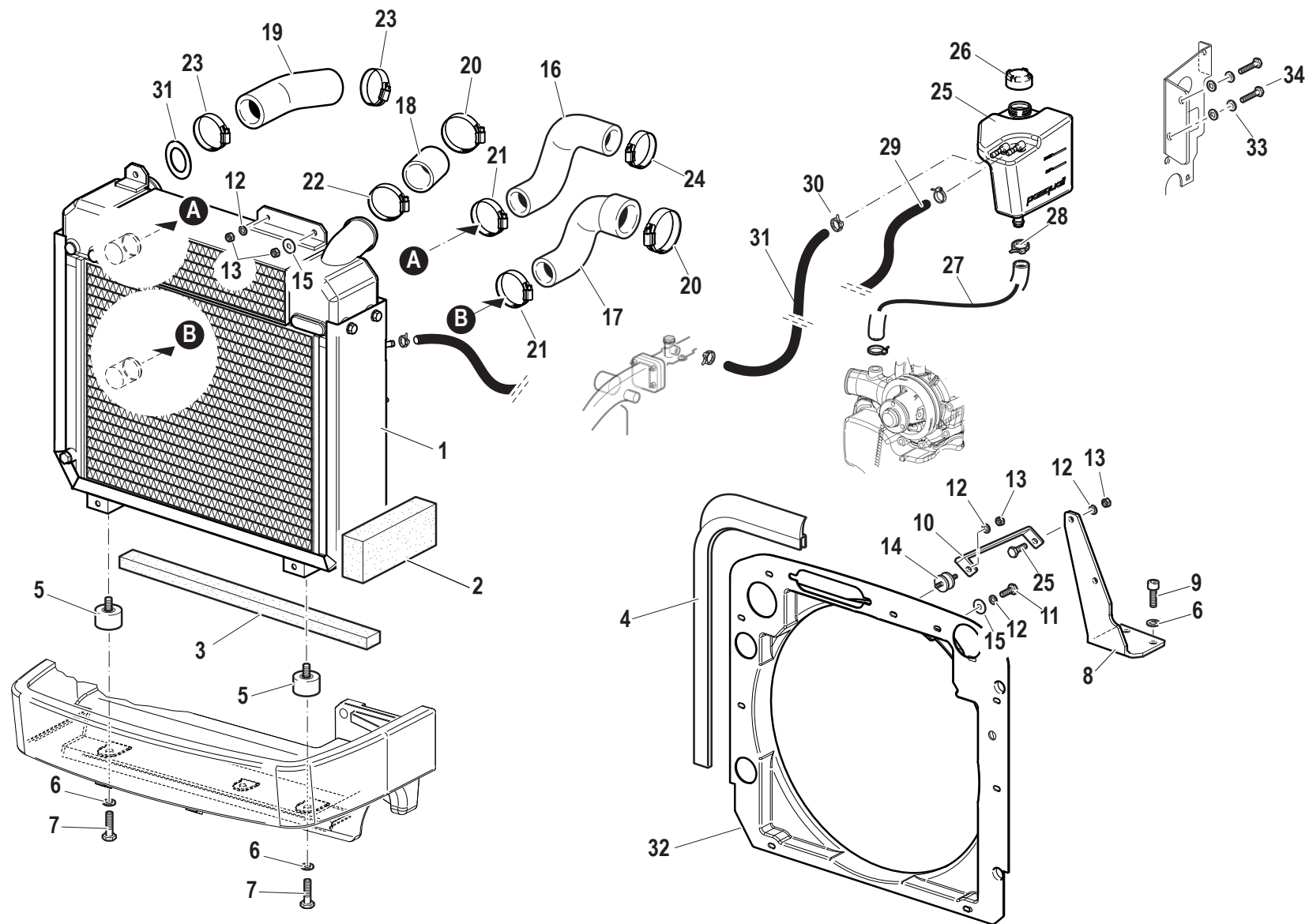
RADIATORE
Hp 95

CODE REV
A.03.05.L60009_2

RADIATORE

SERIAL START 916941 END 918549

A.03.05.L60009_2



Pos.	Code	Q.ty	Description	Notes
35	F0256809050	1	GASKET	

SERIAL
START
916941

END
918549

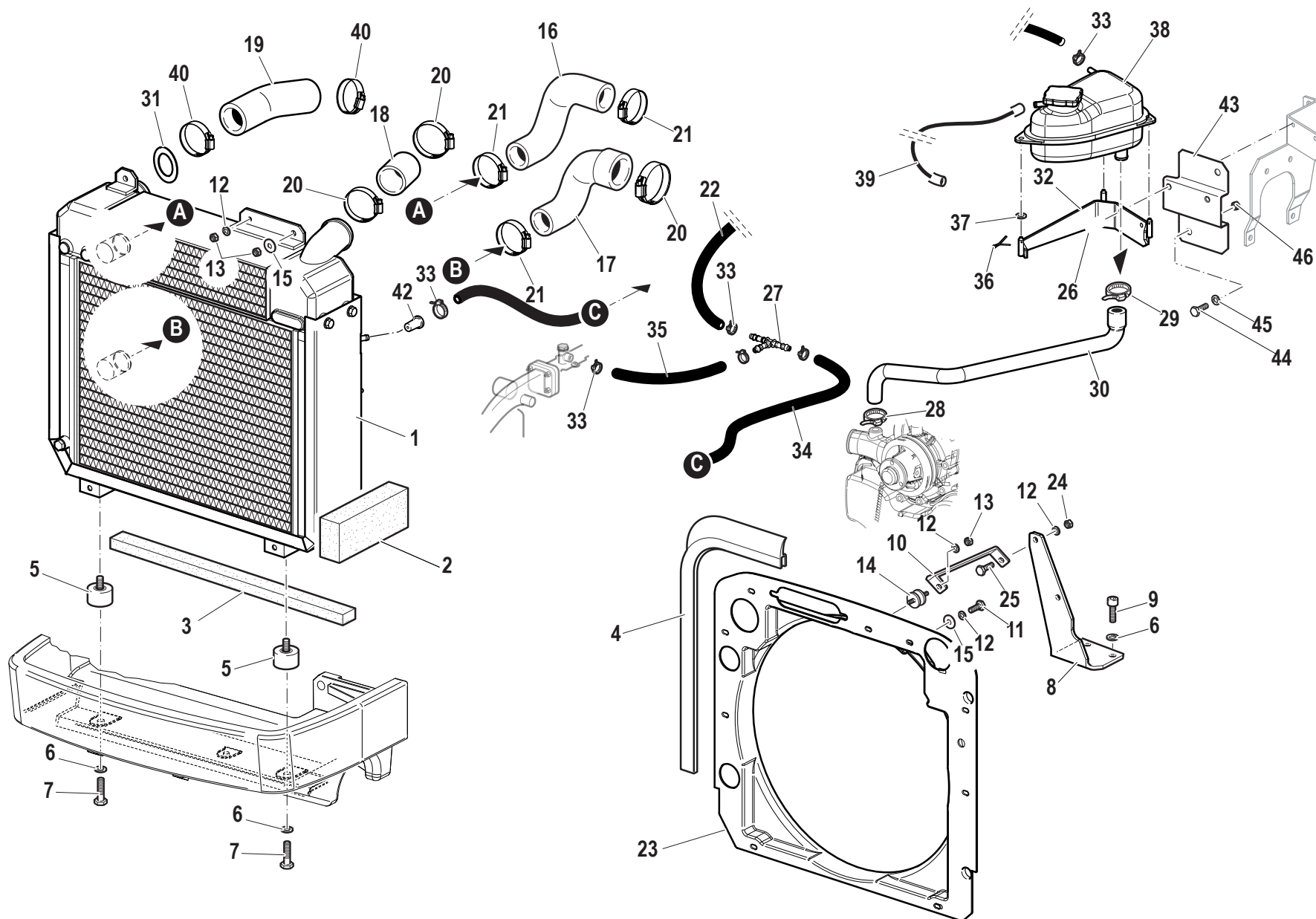
RADIATORE
Hp 95

CODE REV
A.03.05.L60009_2

RADIATORE

SERIAL START 918550 END 919344

A.03.05.L60009_3



Pos.	Code	Q.ty	Description	Notes
1	58179335	1	RADIATOR	
2	57375461	1	CELLULAR FOAM	
3	F0256910000	1	FOAM PROFILE 5X20	
4	F0256809050	1	GASKET	
5	58179783	2	SILENT-BLOCK	
6	F0843755000	3	WASHER 10	
7	31112229	2	SCREW M10x22 UNI 5739	
8	59079626	1	FIXING BRACKET	
9	31152103	1	SCREW TCEI M10X25 UNI 5931	
10	561A1273	1	BRACKET	
11	31112093	5	SCREW TE M6X20	
12	F0843570000	7	WASHER 6	
13	31211060	7	HEXAGONAL NUT M8	
14	F0849206005	1	SILENT-BLOCK	
15	31411066	5	WASHER 6,6x18	
16	55179622	1	SLEEVE	
17	55179621	1	SLEEVE	
18	58079703	1	SLEEVE	
19	58079620	1	SLEEVE	
20	F0817550100	2	CLAMP	
21	P405391000001	1	CLAMP	
22	58075873	1	VENT HOSE	
23	58179599	1	DUCT	
24	F0814545000	2	NUT M6	
25	31112089	1	SCREW TE M6X25 UNI 5739 8G	
26	31121006	2	SCREW TBCEI M6X16 ISO 7380	
27	58170339	1	PIPE FITTING	
28	P405339000000	1	CLAMP	
29	P123298000000	1	CLAMP 16-25 SX9CW1	
30	580A1040	1	PIPE	
31	581A0296	1	SEAL	
32	590A0389	1	SUPPORT	
33	F0817505200	6	FAS.10-19 SE519W4(30021119)*mr	
34	58070875	1	VENT HOSE	

SERIAL
START
918550

END
919344

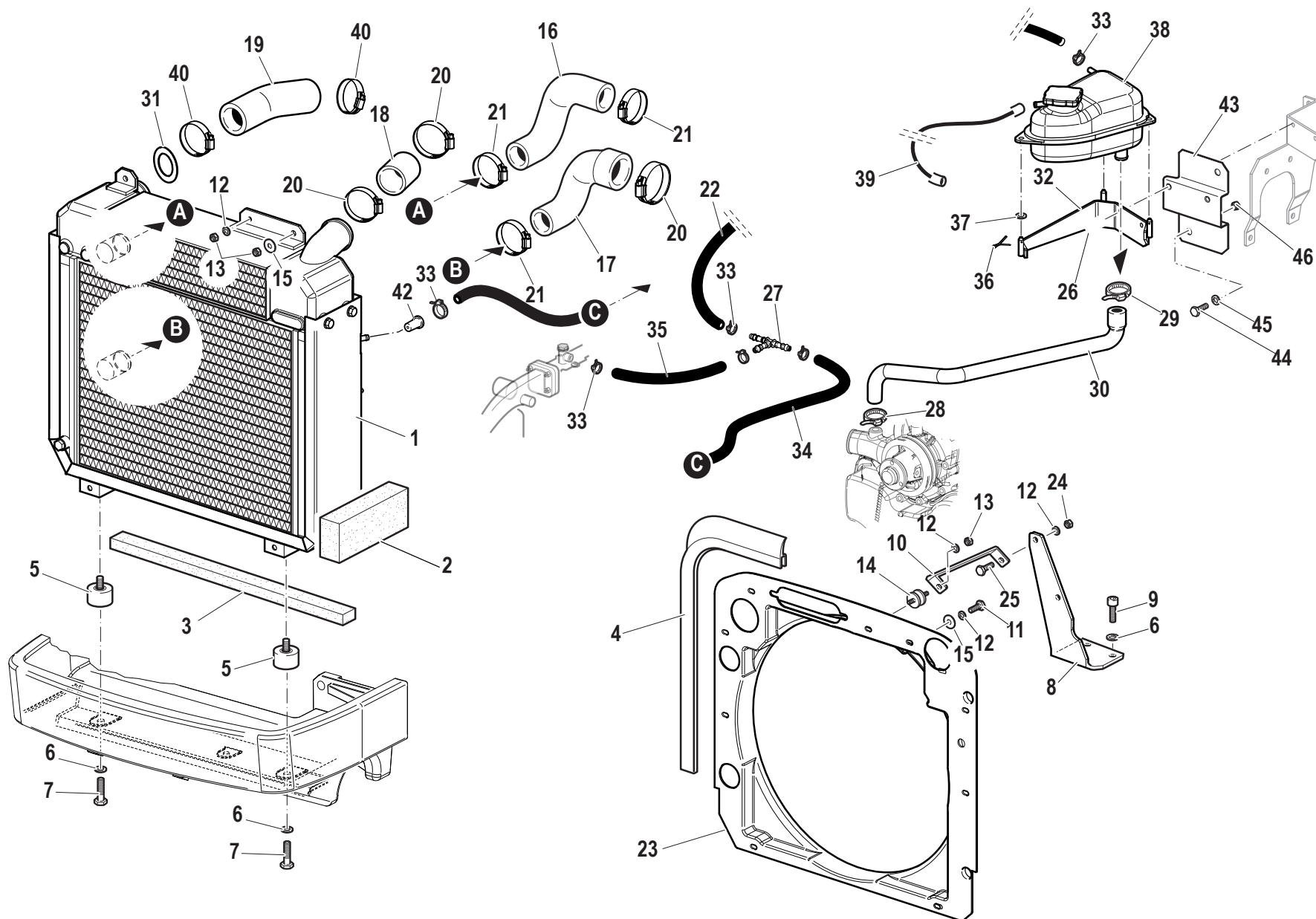
RADIATORE
Hp 95

CODE REV
A.03.05.L60009_3

RADIATORE

SERIAL START 918550 END 919344

A.03.05.L60009_3



Pos.	Code	Q.ty	Description	Notes
35	580A0606	1	PIPE R6 (8x14) L=160	
36	F0810510000	3	SPLIT PIN A2,0X20 UNI 1336	
37	F0824022000	3	SPECIAL GASKET D.8,4X12/1	
38	58093053	1	CUP	
39	F0256112009	1	PIPE	
40	P453727000000	2	CLAMP	
42	561A0852	1	STROZZ.D.1,5 SFIATO RADIATORE	
43	590A0851	1	BRACKET	
44	31111151	2	SCREW TE M8X16 UNI 5739 8G	
45	F0843643060	2	WASHER 8	
46	31211080	2	NUT M8	

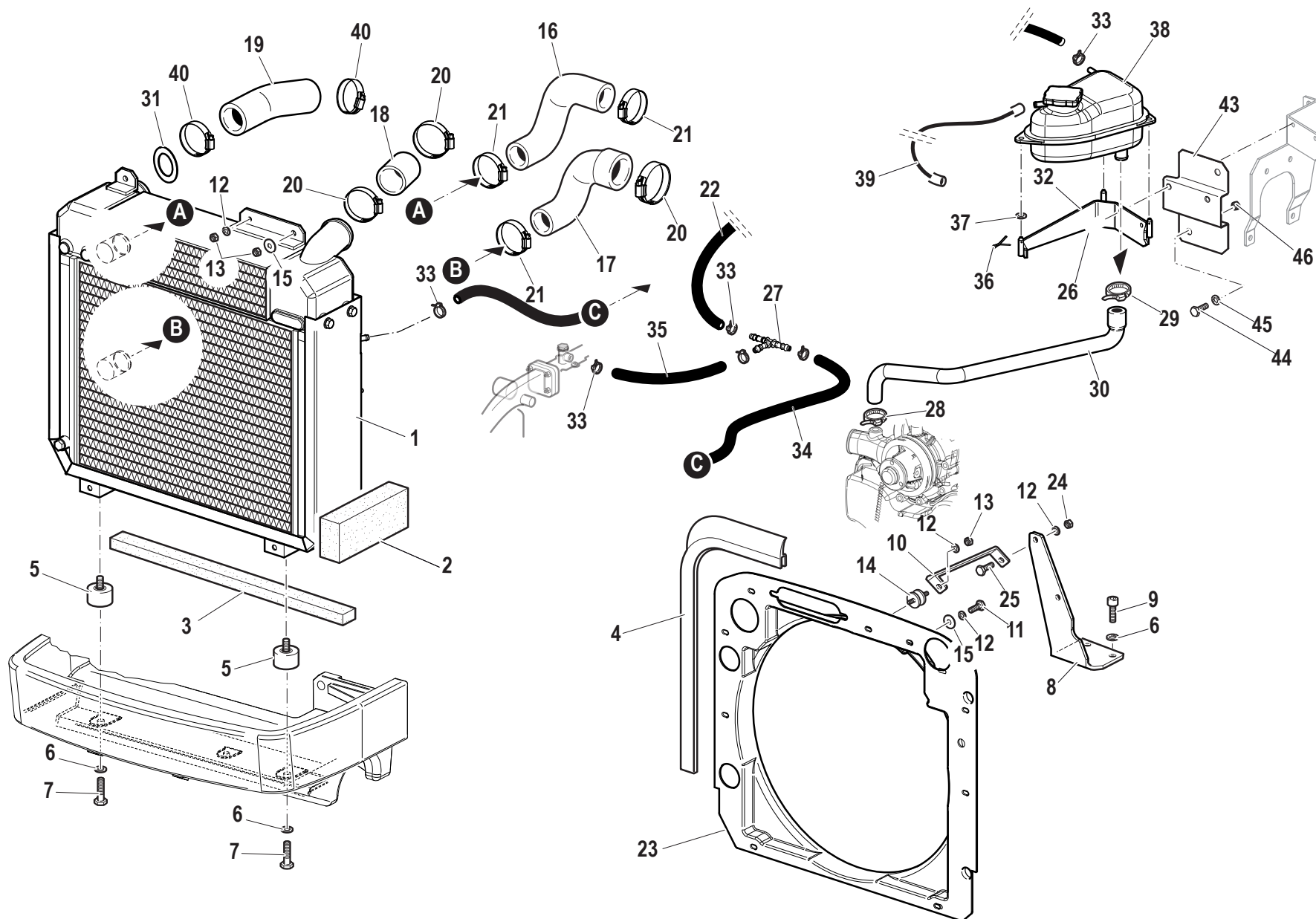
SERIAL
START
918550

END
919344

RADIATORE
Hp 95

CODE REV
A.03.05.L60009_3

RADIATORE



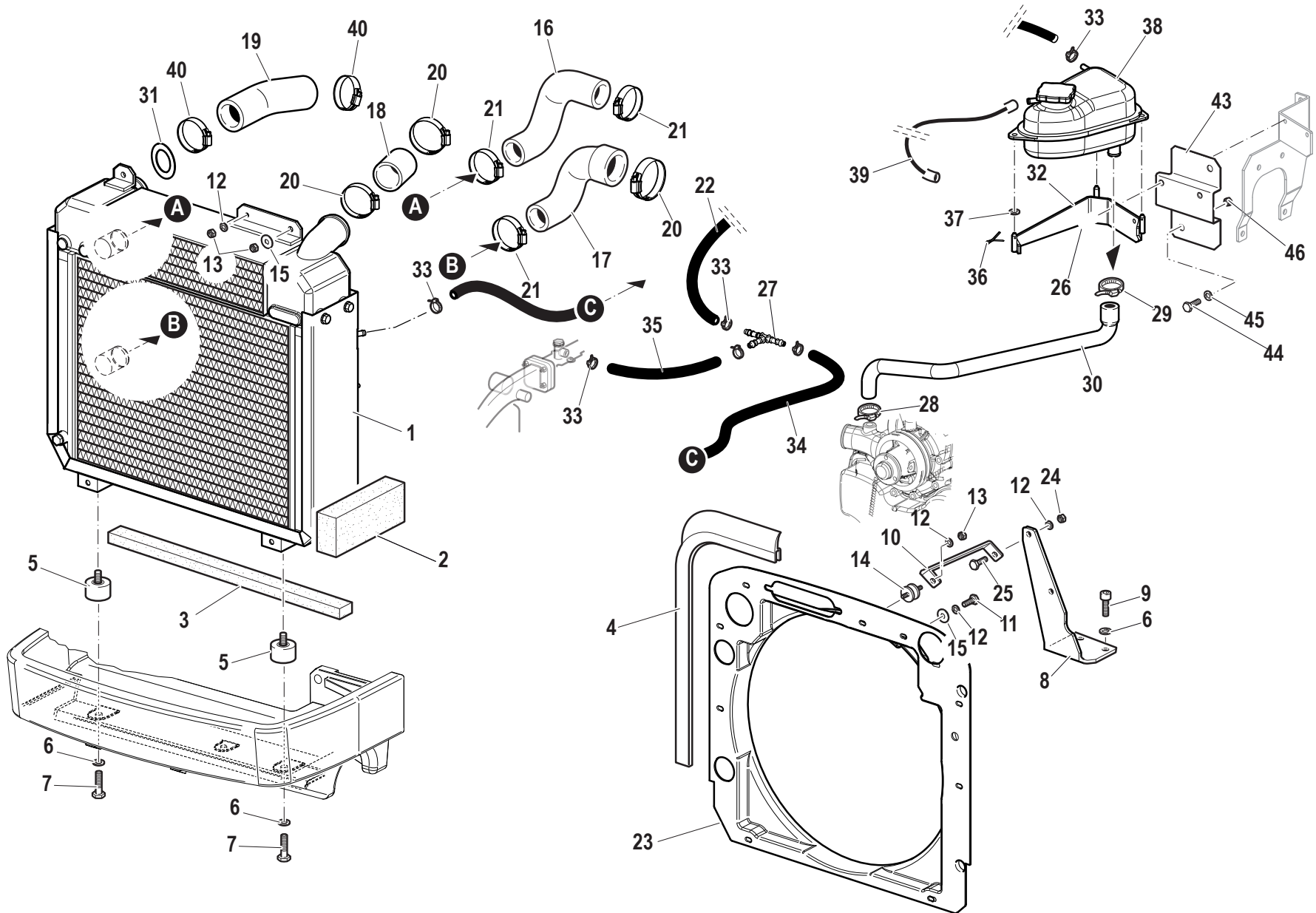
Pos.	Code	Q.ty	Description	Notes
1	581A0906	1	RADIATOR	160/09
2	57375461	1	CELLULAR FOAM	
3	F0256910000	1	FOAM PROFILE 5X20	
4	F0256809050	1	GASKET	
5	58179783	2	SILENT-BLOCK	
6	F0843755000	3	WASHER 10	
7	31112229	2	SCREW M10x22 UNI 5739	
8	59079626	1	FIXING BRACKET	
9	31152103	1	SCREW TCEI M10X25 UNI 5931	
10	561A1273	1	BRACKET	
11	31112093	5	SCREW TE M6X20	
12	F0843570000	7	WASHER 6	
13	31211060	7	HEXAGONAL NUT M8	
14	F0849206005	1	SILENT-BLOCK	
15	31411066	5	WASHER 6,6x18	
16	55179622	1	SLEEVE	
17	55179621	1	SLEEVE	
18	58079703	1	SLEEVE	
19	58079620	1	SLEEVE	
20	F0817550100	2	CLAMP	
21	P405391000001	1	CLAMP	
22	58075873	1	VENT HOSE	
23	58179599	1	DUCT	
24	F0814545000	2	NUT M6	
25	31112089	1	SCREW TE M6X25 UNI 5739 8G	
26	31121006	2	SCREW TBCEI M6X16 ISO 7380	
27	58170339	1	PIPE FITTING	
28	P405339000000	1	CLAMP	
29	P123298000000	1	CLAMP 16-25 SX9CW1	
30	580A1040	1	PIPE	
31	581A0296	1	SEAL	
32	590A0389	1	SUPPORT	
33	F0817505200	6	FAS.10-19 SE519W4(30021119)*mr	
34	58070875	1	VENT HOSE	

SERIAL
START
919345

RADIATORE
Hp 95

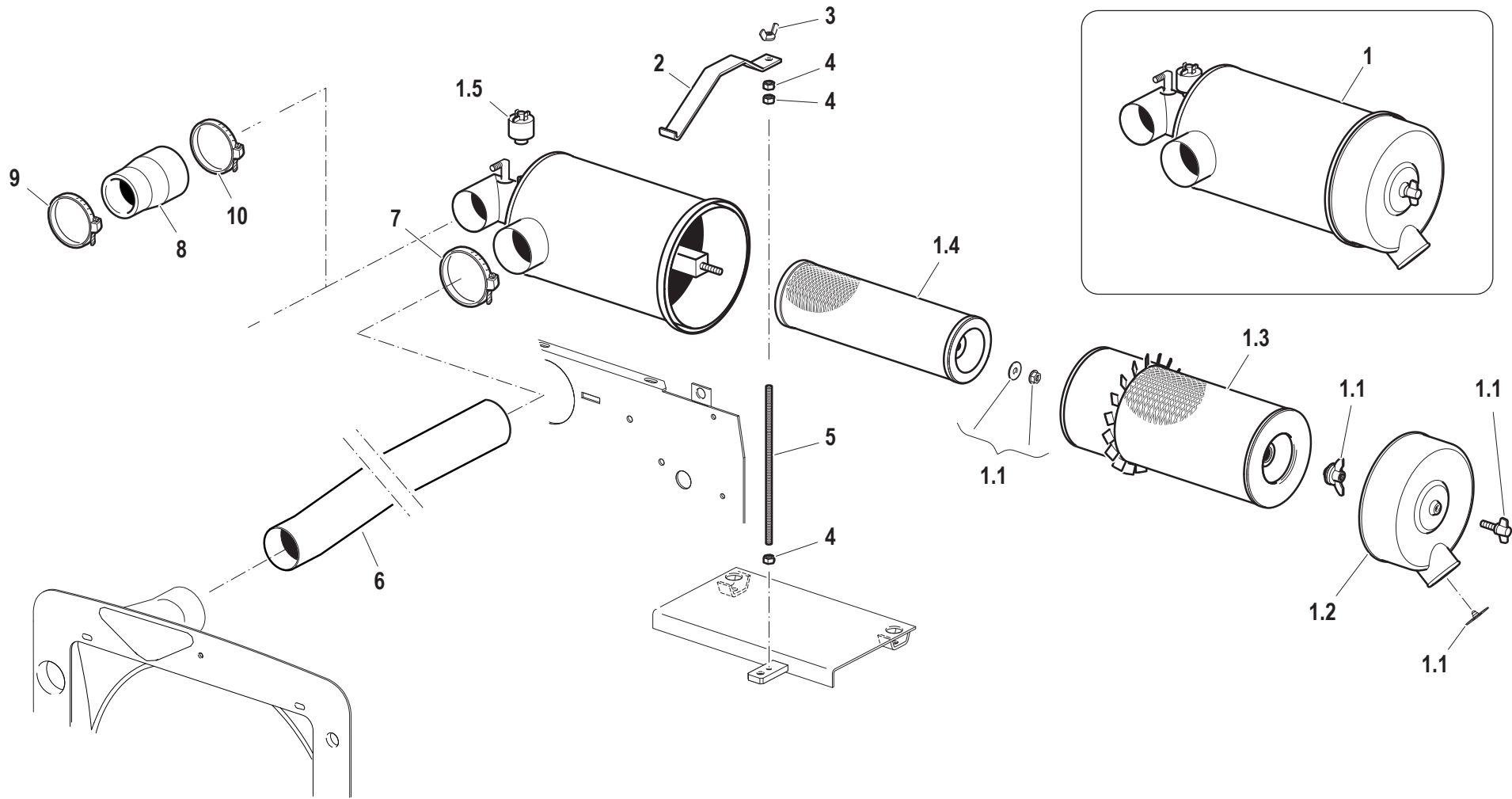
CODE REV
A.03.05.L60009_4

RADIATORE



Pos.	Code	Q.ty	Description	Notes
35	580A0606	1	PIPE R6 (8x14) L=160	
36	F0810510000	3	SPLIT PIN A2,0X20 UNI 1336	
37	F0824022000	3	SPECIAL GASKET D.8,4X12/1	
38	58093053	1	CUP	
39	F0256112009	1	PIPE	
40	P453727000000	2	CLAMP	
43	590A0851	1	BRACKET	
44	31111151	2	SCREW TE M8X16 UNI 5739 8G	
45	F0843643060	2	WASHER 8	
46	31211080	2	NUT M8	

FILTRO ARIA



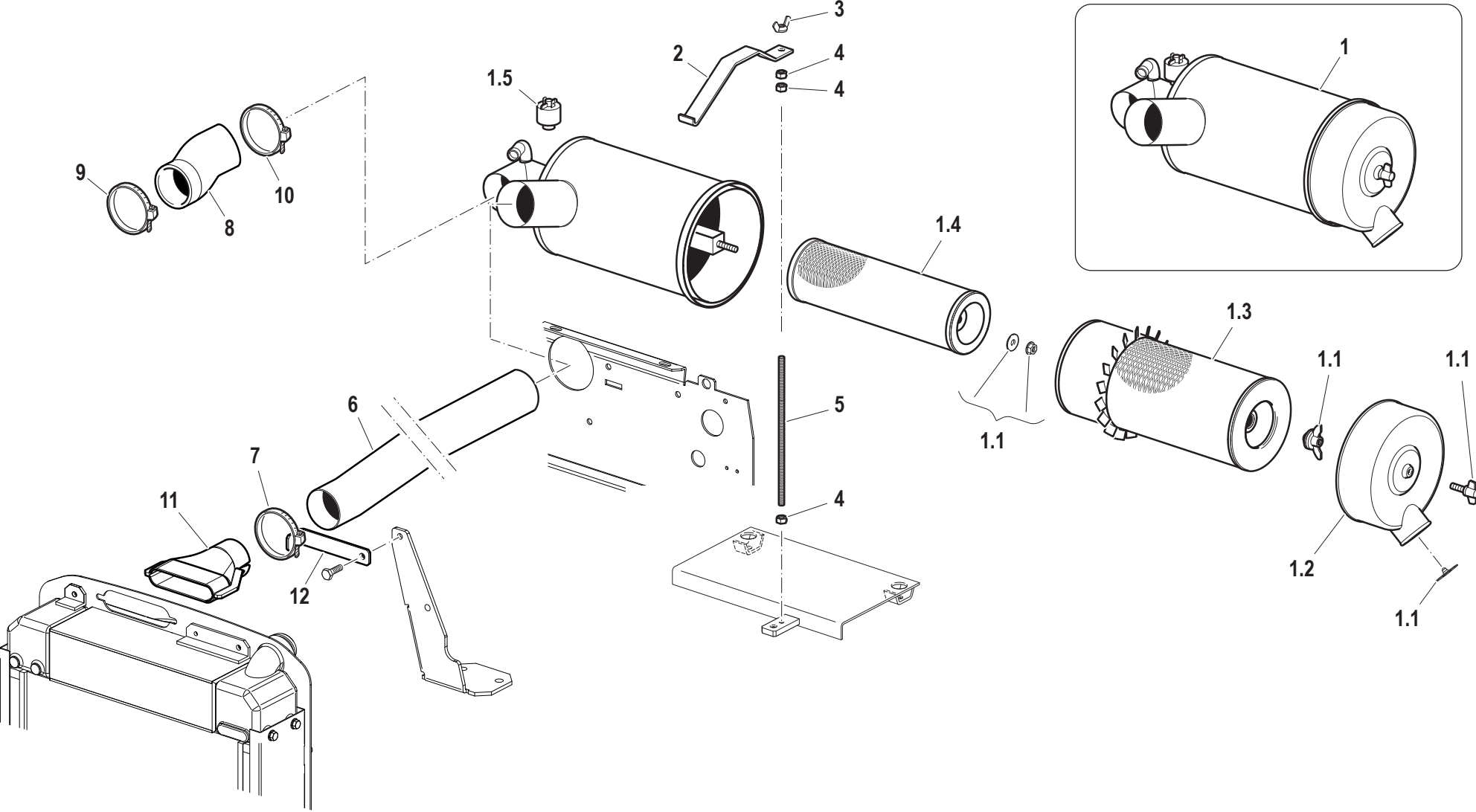
Pos.	Code	Q.ty	Description	Notes
1	58176755	1	AIR FILTER	
2	56174636	1	FIXING BRACKET	
3	31200501	1	NUT M8	
4	31211080	3	NUT M8	
5	56174635	1	ROD	
6	58076753	1	SUCTION PIPE	
7	F0817501200	1	CLAMP 077,0-706R	
8	58076750	1	SLEEVE	
9	F0817500800	1	CLAMP 062,0-706R	
10	F0817500900	1	CLAMP 069,5-706R	
1.1	59900353	1	KIT	
1.2	59900347	1	COVER	
1.3	58171028	1	CARTOUCHE	
1.4	58171027	1	CARTOUCHE	
1.5	58175122	1	DIGITAL INSTRUMENT	

SERIAL
END
916940

FILTRO ARIA
Hp 85

CODE REV
A.04.02.L60008_0

FILTRO ARIA



A.04.02.L60009_1

Pos.	Code	Q.ty	Description	Notes
1	58179618	1	FILTER	
2	56179619	1	FIXING BRACKET	
3	31200501	1	NUT M8	
4	31211080	3	NUT M8	
5	56174635	1	ROD	
6	58079631	1	SUCTION PIPE	
7	P493188000000	1	CLAMP	
8	58079659	1	SLEEVE	
9	P493188000000	1	CLAMP	
10	P453727000000	1	CLAMP	
11	57372341	1	SOCKET	
12	561A0259	1	FIXING BRACKET	

SERIAL
START
916941

FILTRO ARIA
Hp 95

CODE REV
A.04.02.L60009_1

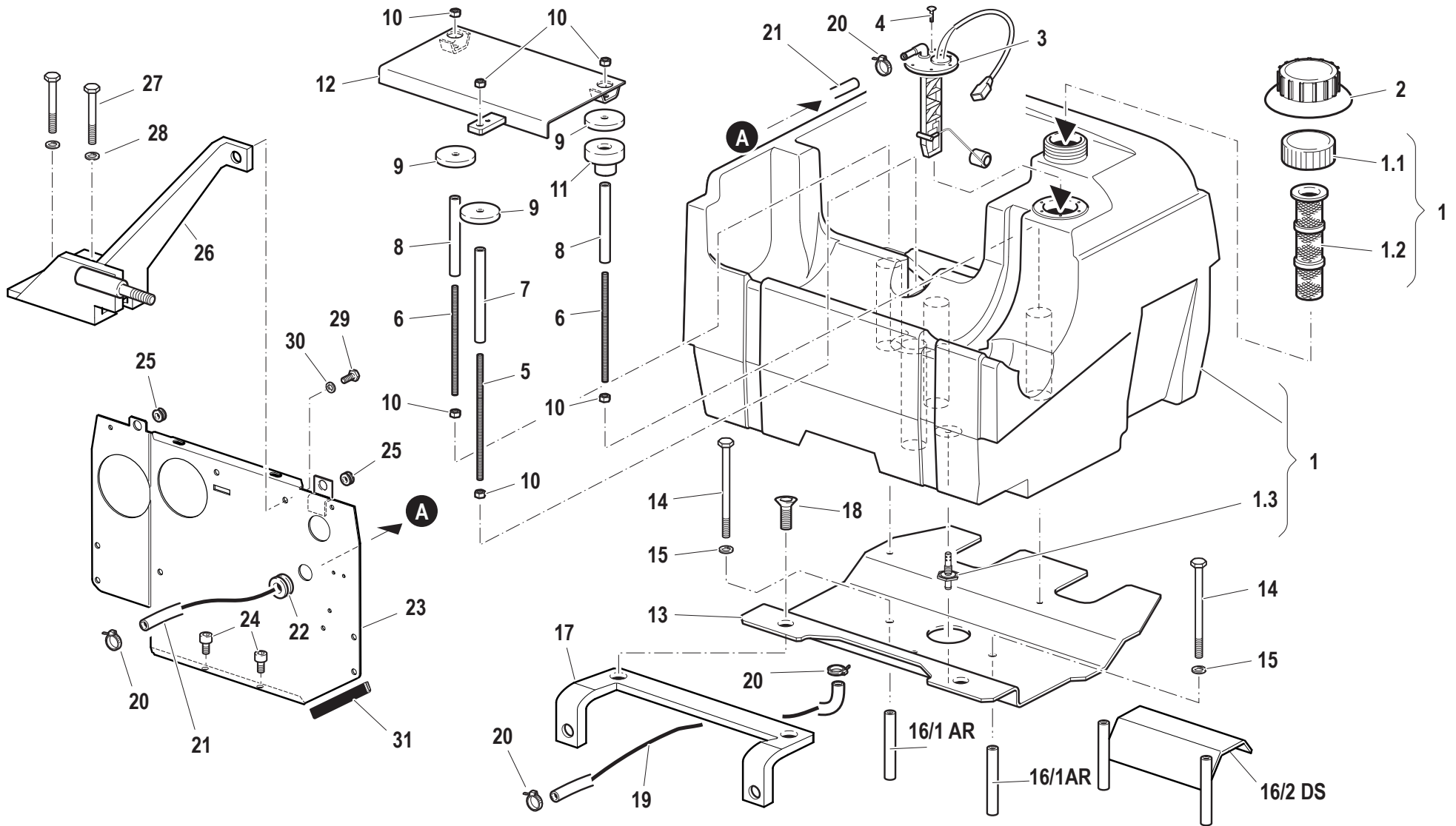


FUEL TANK

CODE REV

SERIAL END 916940

A.05.02.L60001_0



A.05.02.L60001_0

Data 18/02/14

Pos.	Code	Q.ty	Description	Notes
1	55276745	1	TANK	
2	57371900	1	LINING	
3	58170238	1	CONTROL	
4	F0861867050	6	SCREW M4,2X19 DIN 7981	
5	56174635	1	ROD	
6	56077608	2	ROD	
7	56176716	1	SPACER	
8	56176696	2	SPACER D.14x9/155,5	
9	56176814	3	SPACER D.55x8/4	
10	31211080	6	NUT M8	
11	58076752	3	STOPPER	
12	59076685	1	BATTERY SUPPORT	
13	59077934	1	SUPPORT	
14	31111218	2	SCREW TE M10X140 UNI 5737 8G	
15	F0843755000	2	WASHER 10	
17	59077935	1	FIXING BRACKET	
18	F0862481000	2	SCREW M8x16 UNI 5933	
19	58070690	1	PIPE	
20	F0817500200	4	CLAMP 015,7-706R	
21	58074895	1	PIPE	
22	58171901	1	CABLE GLAND 15,5-24-32-2	
23	59076679	1	DIVISION	
24	F0862464050	2	SCREW UNI 5931	
25	F0825414000	2	CABLE GLAND 7-15-18,5-2,5	
26	59076686	1	BRACKET	
27	31112096	2	SCREW TE M6X85 UNI 5737 8G	
28	F0843570000	2	WASHER 6	
29	31111151	1	SCREW TE M8X16 UNI 5739 8G	
30	F0843643060	1	WASHER 8	
31	F0256808000	0	FLAT BAND	
1.1	F0849500001	1	TANK COVER	
1.2	F0849500002	1	FILTER	
1.3	57174915	1	PIPE FITTING	
16/1	56170276	2	SPACER	

SERIAL
END
916940

FUEL TANK
Hp 75

CODE REV
A.05.02.L60001_0

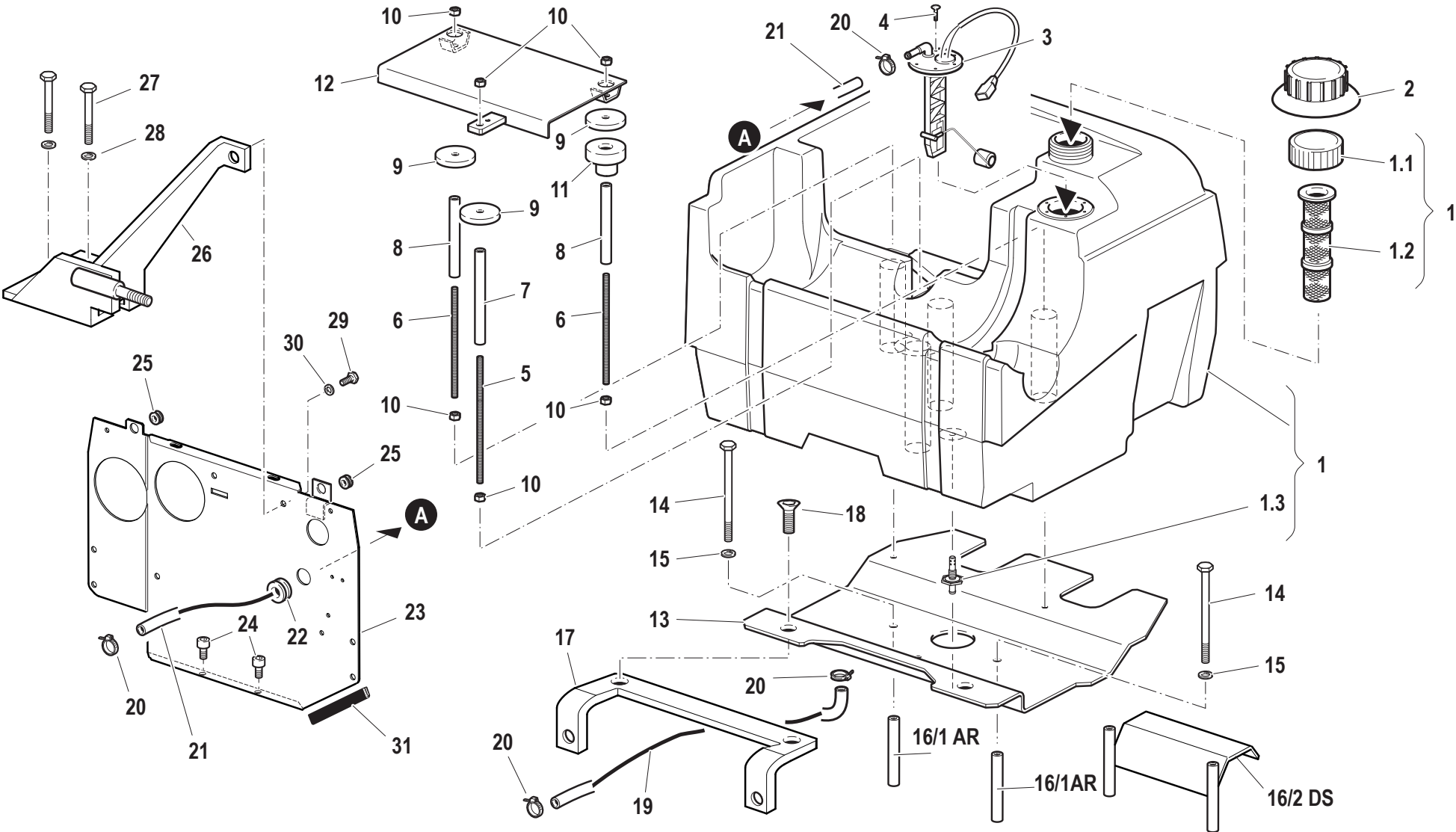


FUEL TANK

CODE REV

SERIAL END 916940

A.05.02.L60001_0



A.05.02.L60001_0

Data 18/02/14

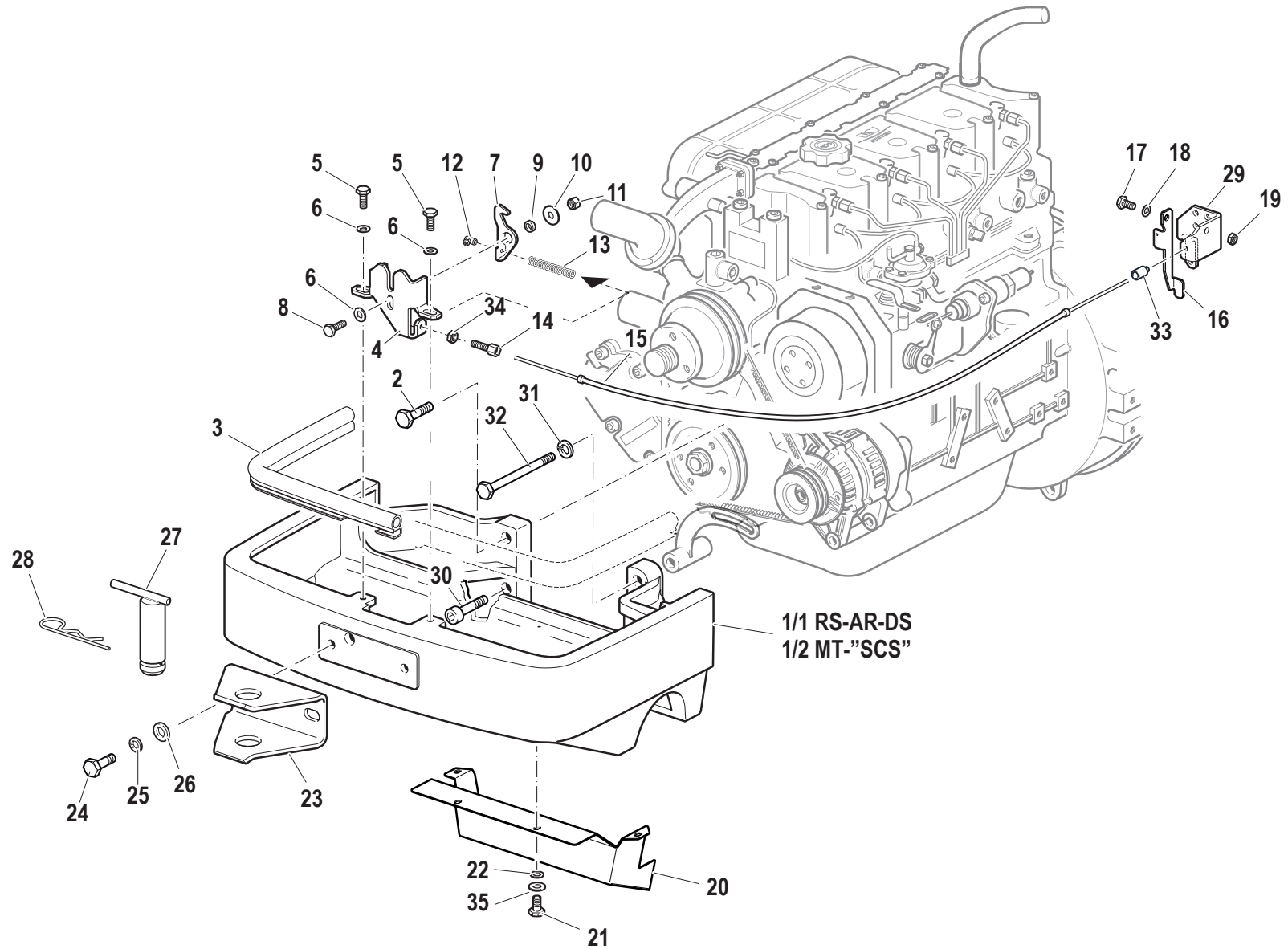
Pos.	Code	Q.ty	Description	Notes
16/2	59076870	1	COVER	

SERIAL
END
916940

FUEL TANK
Hp 75

CODE REV
A.05.02.L60001_0

FRONT SUPPORT



Pos.	Code	Q.ty	Description	Notes
2	31111331	1	SCREW TE M14X50 UNI5739 8G	
3	58177274	1	HOOD SEAL	
4	56174657	1	FIXING BRACKET	
5	31112150	2	SCREW TE M8X20 UNI 5739 8G	
6	31411084	3	WASHER 8,4x17	
7	56174658	1	HOOD HOOK	
8	31112151	1	SCREW TE M8X25 UNI 5739 8G	
9	56174659	1	SPACER	
10	31411090	1	WASHER 9x24	
11	31241080	1	HEXAGON SELFLOCK NUT M8	
12	58048002	1	CLAMPING SCREW	
13	F0831065000	1	SPRING	
14	56177656	1	REGISTER	
15	58074831	1	CABLE	
16	56177643	1	LEVER	
17	31111151	1	SCREW TE M8X16 UNI 5739 8G	
18	F0843643060	1	WASHER 8	
19	F0814569000	1	NUT	
20	59076756	1	SHIELD	
21	31112082	4	SCREW TE M6X12 UNI 5739 8G	
22	F0843570000	4	WASHER 6	
23	56174873	1	TOW HOOK	
24	31112328	2	SCREW TE M14X35 UNI 5739	
25	F0843921030	2	WASHER 14	
26	31411150	2	WASHER 15x28	
27	59075283	1	PIN	
28	F0851497000	1	SPLIT PIN	
29	56174661	1	BRACKET	
30	F0864290010	2	SCREW M14X50 UNI 5931	
31	31421251	1	WASHER	
32	F0864335020	1	SCREW M14X120 UNI 5737	
33	56170491	1	STOP	
34	31231080	1	NUT M8	
35	31411064	4	WASHER 6,4x12,5	

SERIAL
END

916940

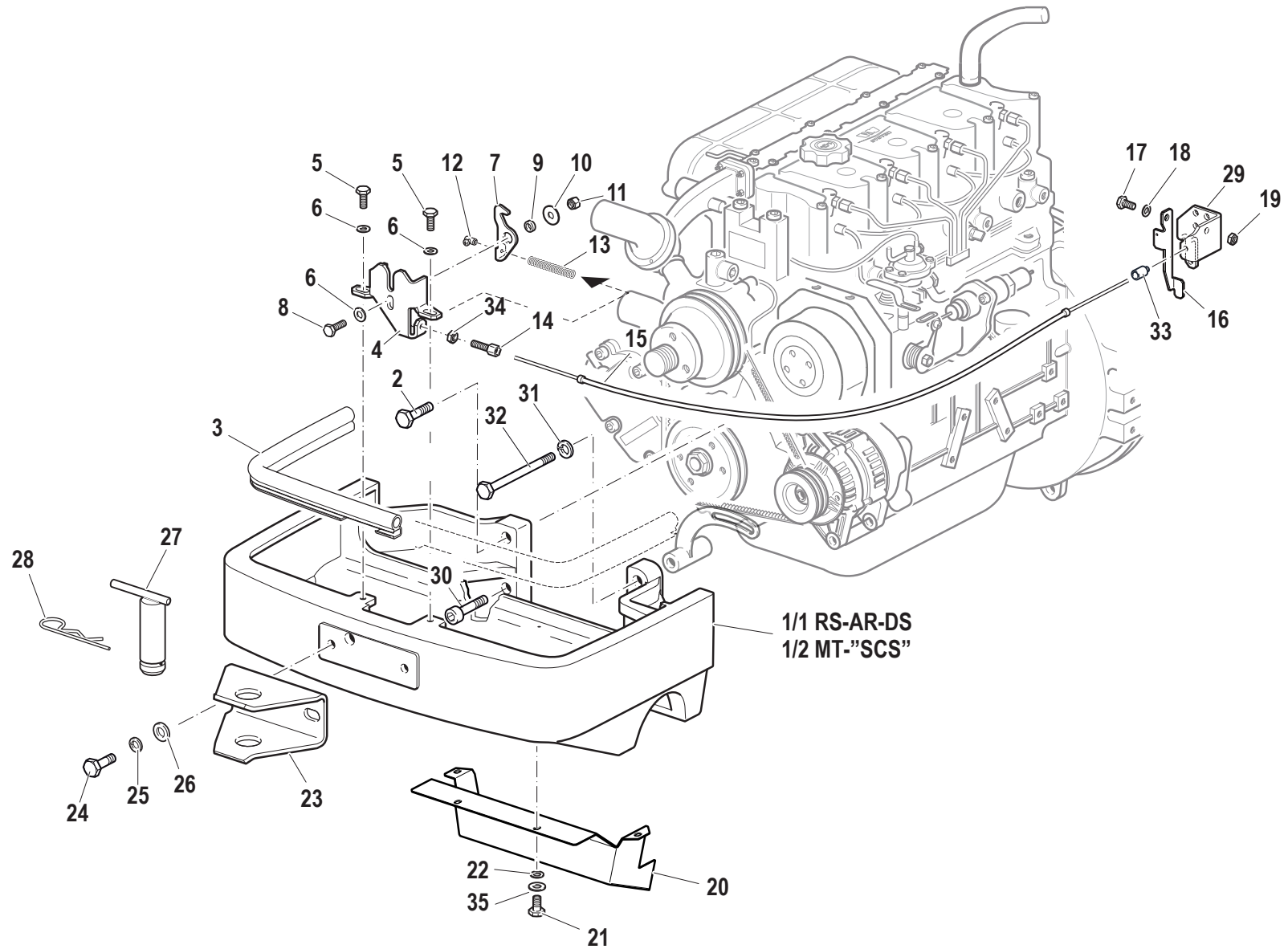
FRONT SUPPORT

Hp 75

CODE REV

B.01.01.L60007_0

FRONT SUPPORT



Pos.	Code	Q.ty	Description	Notes
1/1	51176714	1	FRONT SUPPORT	
1/2	51179421	1	FRONT SUPPORT	

SERIAL
END
916940

FRONT SUPPORT
Hp 75

CODE REV
B.01.01.L60007_0

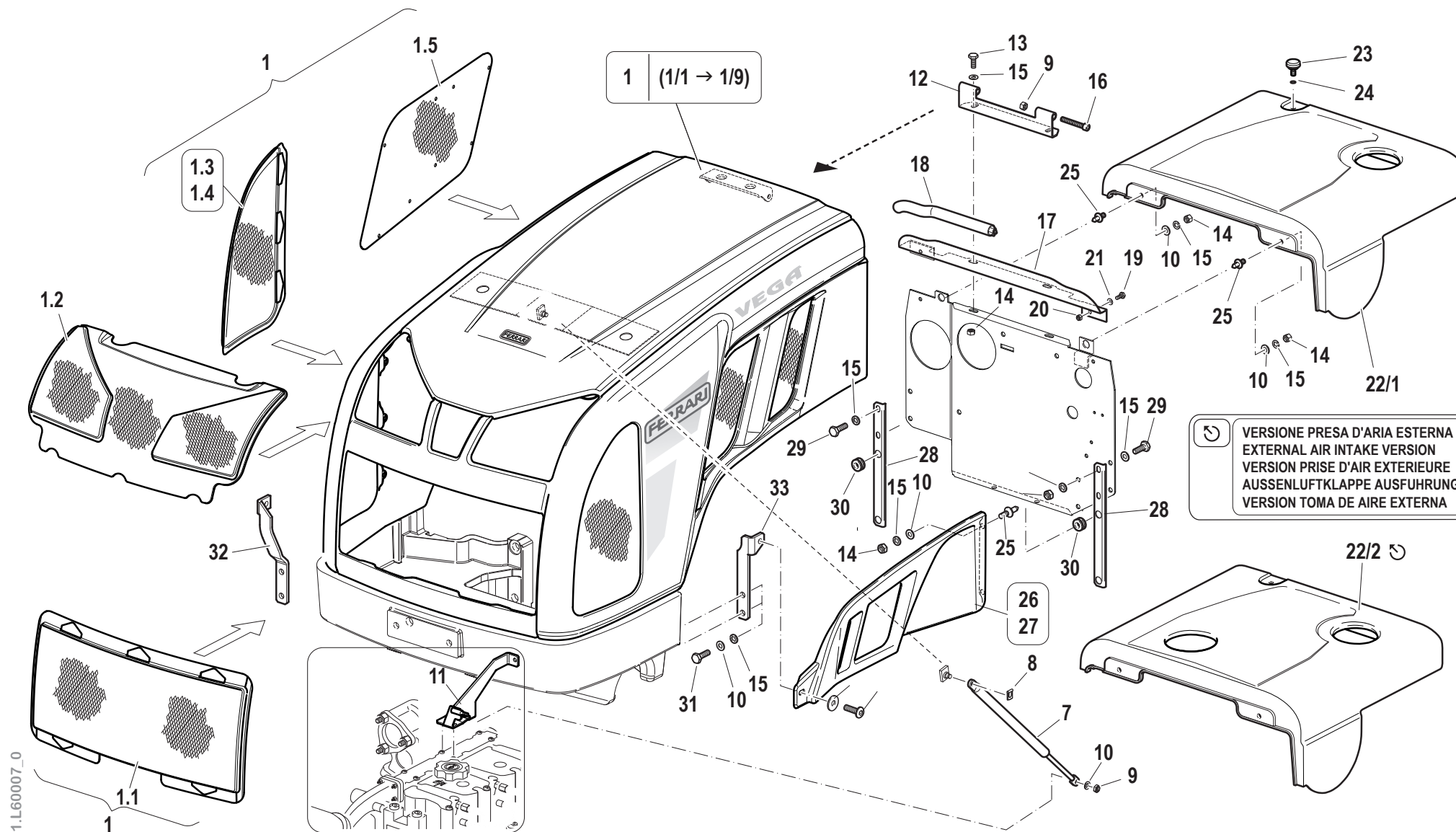
Pos.	Code	Q.ty	Description	Notes
3	28177274	1	GASCKET RIF.182400153.945	
2	31111331	1	SCREW TE M14X50 UNI5739 8G	
22	31112082	3	SCREW TE M6X12 UNI 5739 8G	
24	31112092	1	SCREW TE M6X35 UNI 5739 8G	
5	31112150	2	SCREW TE M8X20 UNI 5739 8G	
8	31112151	2	SCREW TE M8X25 UNI 5739 8G	
27	31112328	2	SCREW TE M14X35 UNI 5739	
15	31231080	1	NUT M8	
11	31241080	1	HEXAGON SELFLOCK NUT M8	
6	31411084	3	WASHER 8,4x17	
10	31411090	2	WASHER 9x24	
29	31411150	2	WASHER 15x28	
31	31421251	1	WASHER	
7	56174658	1	HOOD HOOK	
9	56174659	2	SPACER	
26	56174873	1	TOW HOOK	
14	56177656	1	REGISTER	
4	56179625	1	FIXING BRACKET	
17	561A2425	1	REAZIONE SGANCIO COFANO 75-95	
12	58048002	1	CLAMPING SCREW	
16	58074831	1	CABLE	
33	59075283	1	PIN	
21	590A3014	1	COVER	
1	511A2422N	1	FRONT SUPPORT 75-95(A2422) -BLACK-	
20	561A2424N	1	LEVER	
13	F0831065000	1	SPRING	
19	F0843561000	2	WASHER 5	
23	F0843570000	4	WASHER 6	
25	F0843643060	1	WASHER 8	
28	F0843921030	2	WASHER 14	
34	F0851497000	1	SPLIT PIN	
18	F0861934060	2	SCREW M5X16 UNI 5739	
32	F0864290010	2	SCREW M14X50 UNI 5931	
30	F0864335020	1	SCREW M14X120 UNI 5737	


SERIAL

FRONT SUPPORT

CODE REV

B.01.03.L60003_2




 VERSIONE PRESA D'ARIA ESTERNA
 EXTERNAL AIR INTAKE VERSION
 VERSION PRISE D'AIR EXTERIEURE
 AUSSENLUFTKLAPPE AUSFUHRUNG
 VERSION TOMA DE AIRE EXTERNA

B.02.01.L60007_0

Pos.	Code	Q.ty	Description	Notes
7	58092972	1	SPRING	
8	58170436	1	CLIP	
9	31241081	3	HEXAGON SELFLOCK NUT	
10	31411084	1	WASHER 8,4x17	
11	59076686	1	BRACKET	
12	56179549	1	PROTECTIVE YOKE	
13	31112150	2	SCREW TE M8X20 UNI 5739 8G	
14	31211080	6	NUT M8	
15	F0843643060	6	WASHER 8	
16	31152088	2	SCREW TCEI M8X55 UNI 5931	
17	56174656	1	HOLDING	
18	58177274	1	HOOD SEAL	
19	31111091	2	SCREW E M6X14 UNI 5739 8G	
20	31211060	2	HEXAGONAL NUT M8	
21	F0843570000	2	WASHER 6	
23	56174835	1	KNOB	
24	35211060	1	SEEGER RING	
25	59074662	2	PIN	
26	58076984V	1	FIANCHETTO DX VERDE 75-95 **	
27	58076987V	1	FIANCHETTO SX VERDE 75-95 **	
28	56176895	2	BRACKET	
29	31112149	4	SCREW TE M8X12 UNI 5739 8G	
30	F0825414000	2	CABLE GLAND 7-15-18,5-2,5	
31	31111151	2	SCREW TE M8X16 UNI 5739 8G	
32	56176692	1	BRACKET	
33	56176693	1	BRACKET	
1.1	56076927	1	FRONT GRILL	
1.2	56076931	1	FRONT GRILL	
1.3	56076928	1	FRONT GRILL	
1.4	56076929	1	FRONT GRILL	
1.5	56076930	5	GRILLE	
1/1	59900897	1	COMPLETE HOOD	
1/2	59900898	1	COMPLETE HOOD	
1/3	59900899	1	COMPLETE HOOD	

SERIAL
END

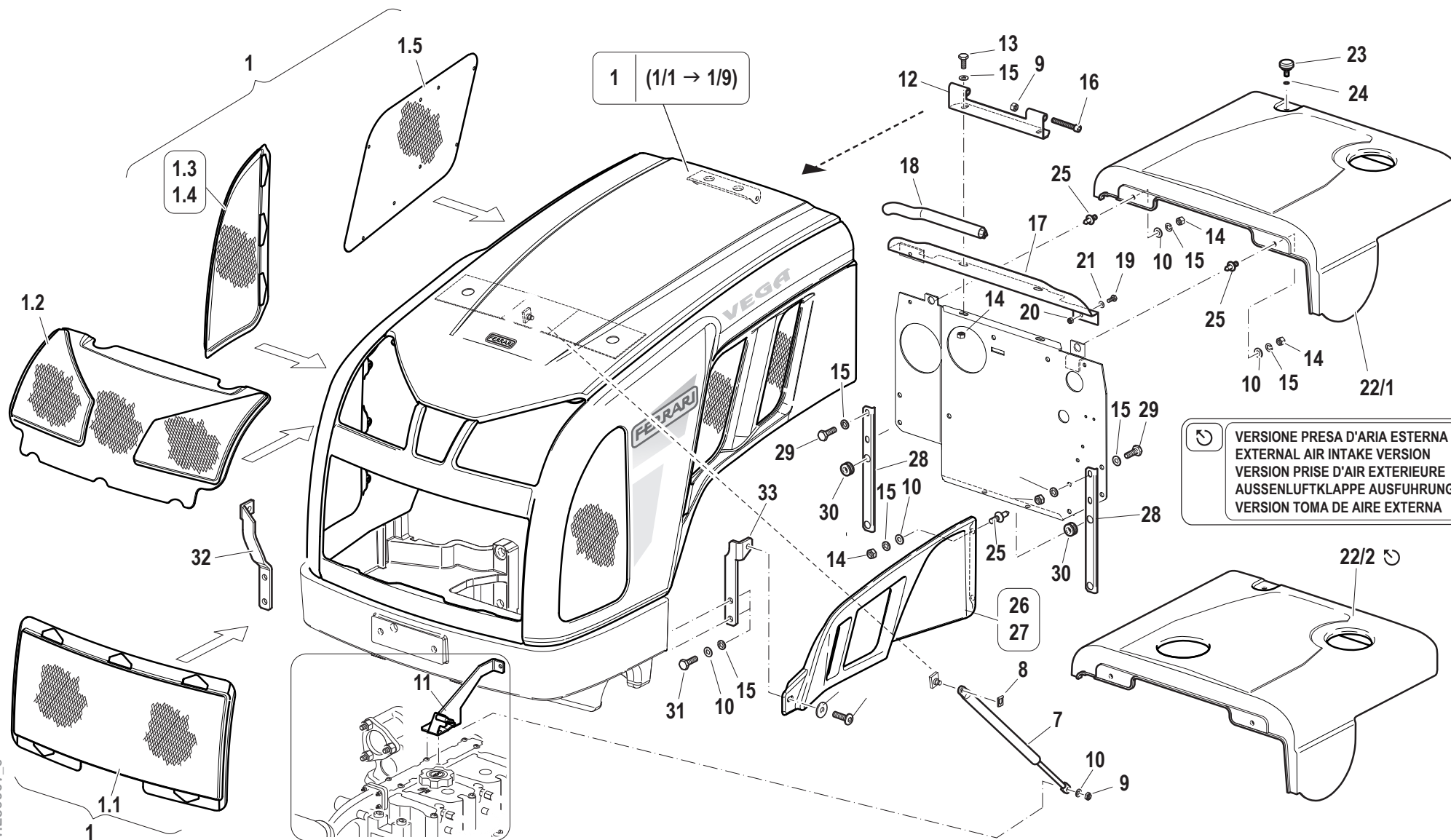
916940


BONNET (VEGA)

Hp 75

CODE REV

B.02.01.L60007_0




 VERSIONE PRESA D'ARIA ESTERNA
 EXTERNAL AIR INTAKE VERSION
 VERSION PRISE D'AIR EXTERIEURE
 AUSSENLUFTKLAPPE AUSFUHRUNG
 VERSION TOMA DE AIRE EXTERNA

1 (1/1 → 1/9)

22/2 

B.02.01.L60007_0

Pos.	Code	Q.ty	Description	Notes
1/4	59900900	1	COMPLETE HOOD	
1/5	59900901	1	COMPLETE HOOD	
1/6	59900902	1	COMPLETE HOOD	
1/7	59900903	1	COMPLETE HOOD	
1/8	59900904	1	COMPLETE HOOD	
1/9	59900905	1	COMPLETE HOOD	
22/1	57376670	1	COVER	
22/2	57376899	1	COVER	

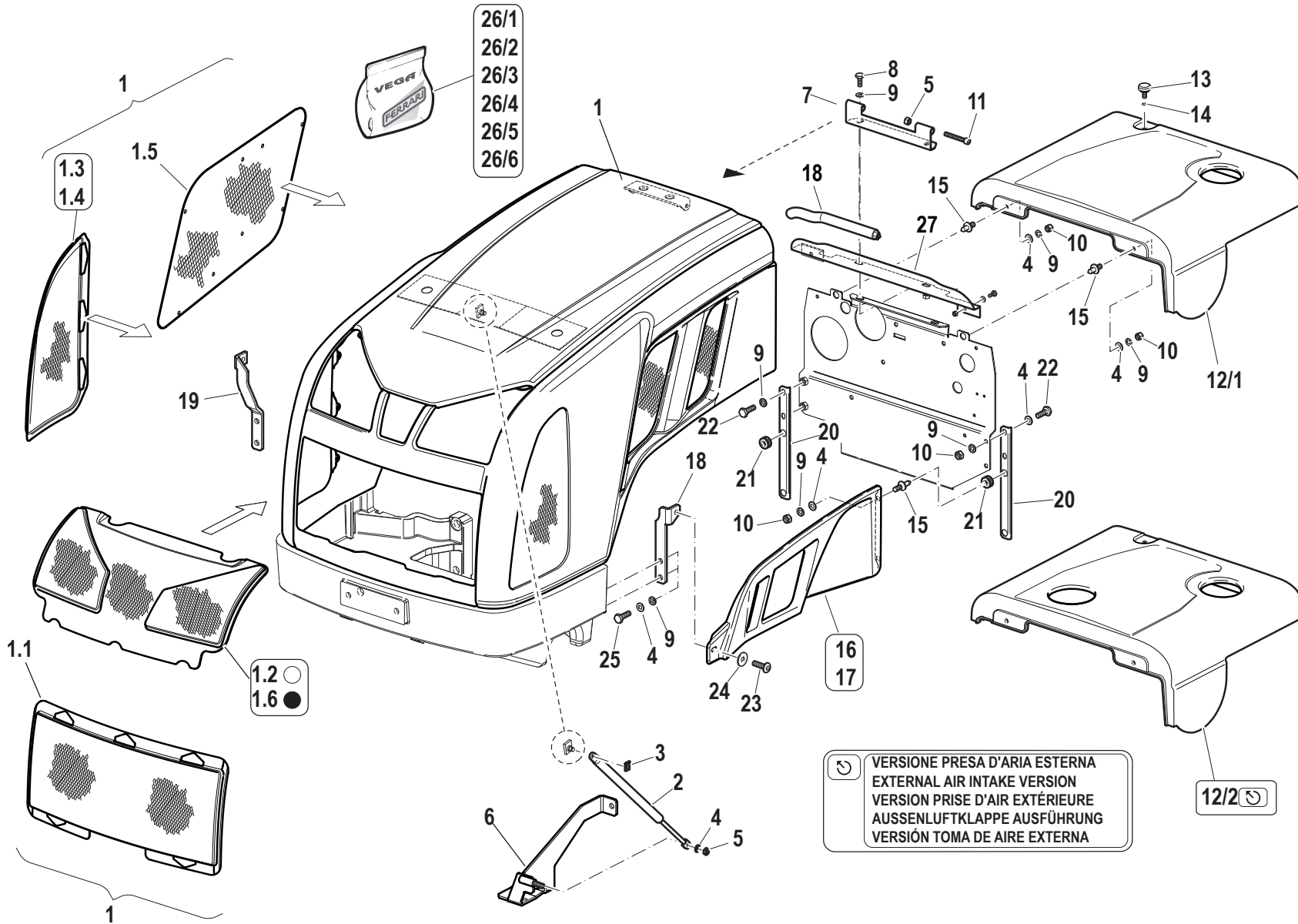
SERIAL
END
916940

BONNET (VEGA)

Hp 75

CODE REV

B.02.01.L60007_0



B.02.01.L60008_1

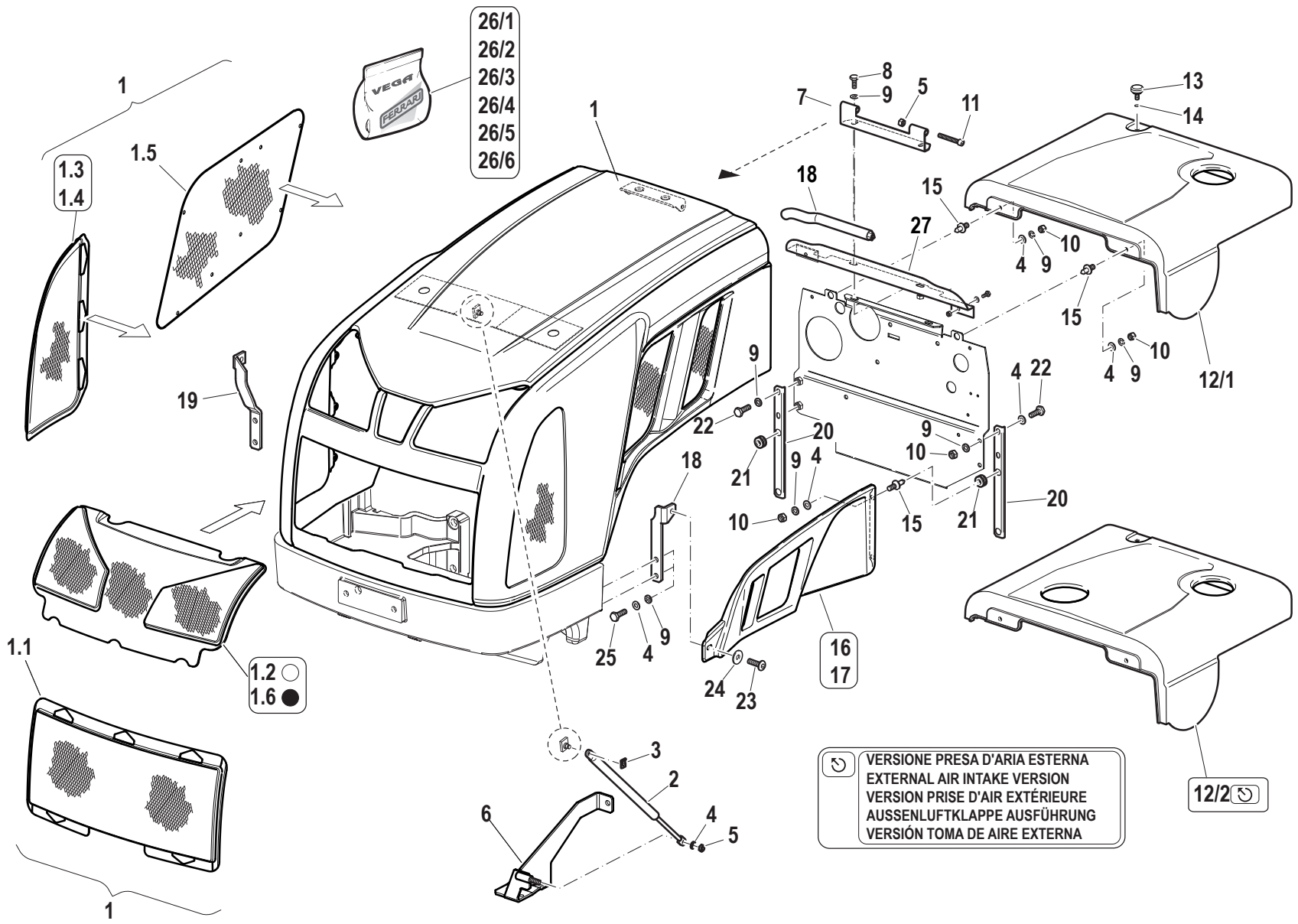
Pos.	Code	Q.ty	Description	Notes
1	590A1439V	1	COF.FERR. VEGA 85-95 VERDE **	
2	58092972	1	SPRING	
3	58170436	1	CLIP	
4	31411084	13	WASHER 8,4x17	
5	F0814585000	3	SELFLOCK NUT	
6	59076686	1	BRACKET	
7	56179549	1	PROTECTIVE YOKE	
8	31112150	2	SCREW TE M8X20 UNI 5739 8G	
9	F0843643060	6	WASHER 8	
10	31211080	6	NUT M8	
11	31152088	2	SCREW TCEI M8X55 UNI 5931	
13	56174835	1	KNOB	
14	35211060	1	SEEGER RING	
15	59074662	6	PIN	
16	58076984V	1	FIANCHETTO DX VERDE 75-95 **	
17	58076987V	1	FIANCHETTO SX VERDE 75-95 **	
18	56176693	1	BRACKET	
19	56176692	1	BRACKET	
20	56176895	2	BRACKET	
21	F0825414000	4	CABLE GLAND 7-15-18,5-2,5	
22	31112149	4	SCREW TE M8X12 UNI 5739 8G	
23	F0862479020	1	SCREW M8X16 7380	
24	31411090	1	WASHER 9x24	
25	31111151	2	SCREW TE M8X16 UNI 5739 8G	
27	56174656	1	HOLDING	
1.1	56076927N	1	GRIGL.FRON. VEGA/VOLCAN (NERA)	
1.2	56076931H	1	GRIGL.FRONT.SUP. VEGA (GRIGIA)	
1.3	56076928N	1	SIDE GRILL	
1.4	56076929N	1	SIDE GRILL	
1.5	56076930N	1	GRIG.PIANA SX-DX 75-95(NERA)	
1.6	56076931N	1	GRIGLIA FRONT.SUP. VEGA (NERA)	
12/1	573A1473V	1	COP.SERBAT(A1473)VERDE 6029 **	
12/2	573A1474V	1	COP.SERBAT(A1474)VERDE 6029 **	
26/1	59901402	1	KIT ADES COF VEGA/SDT 85 RS	

SERIAL
START
916941

COFANO

CODE REV

B.02.01.L60008_1

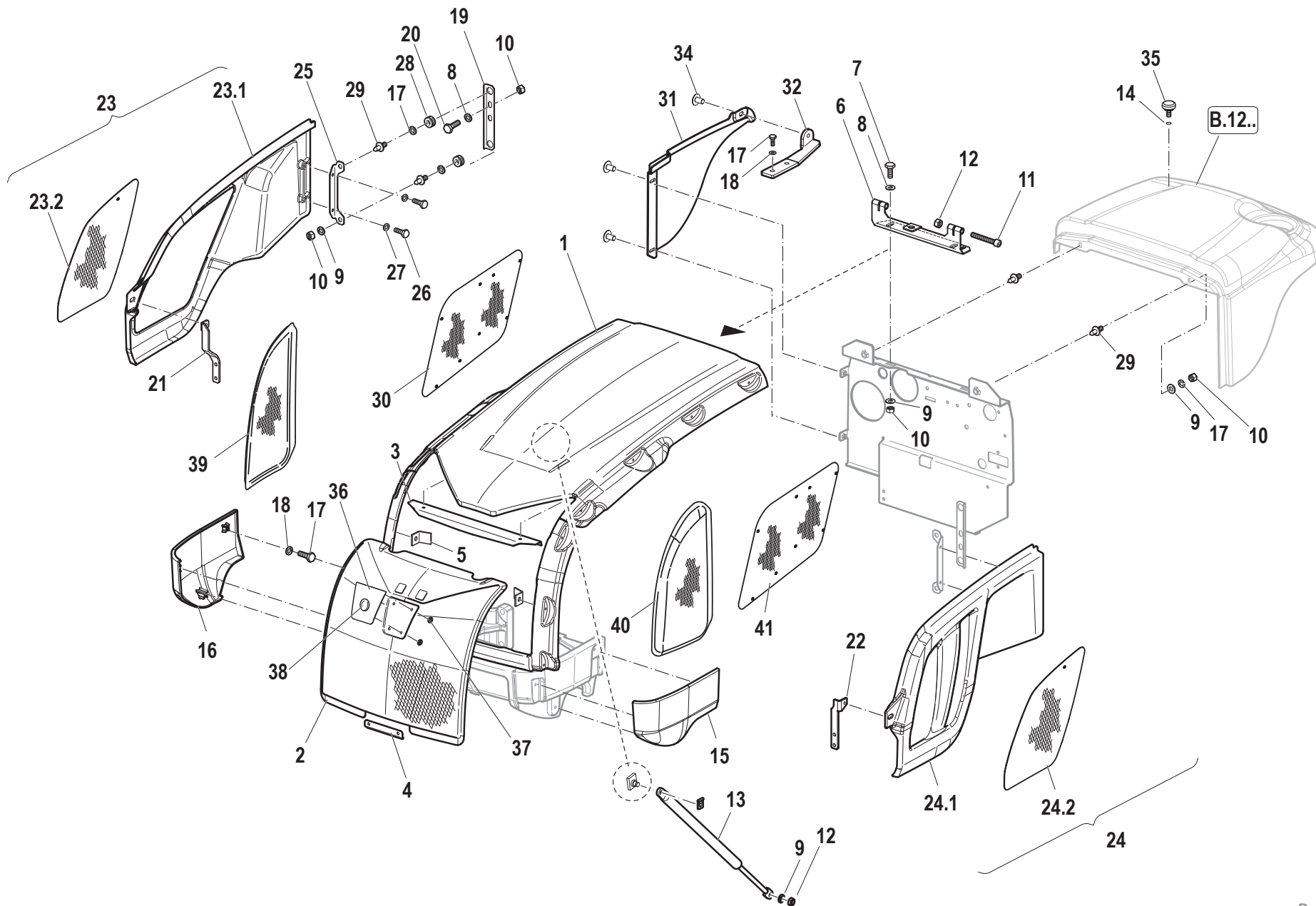


Pos.	Code	Q.ty	Description	Notes
26/2	59901403	1	KIT ADES COF VEGA/SDT 95 RS	
26/3	59901405	1	KIT ADES COFANO VEGA 85 AR	
26/4	59901406	1	KIT ADES COFANO VEGA 95 AR	
26/5	59901408	1	KIT ADES COF VEGA/SDT 85 DS	
26/6	59901409	1	KIT ADES COF VEGA/SDT 95 DS	

SERIAL
START
916941

COFANO

CODE REV
B.02.01.L60008_1



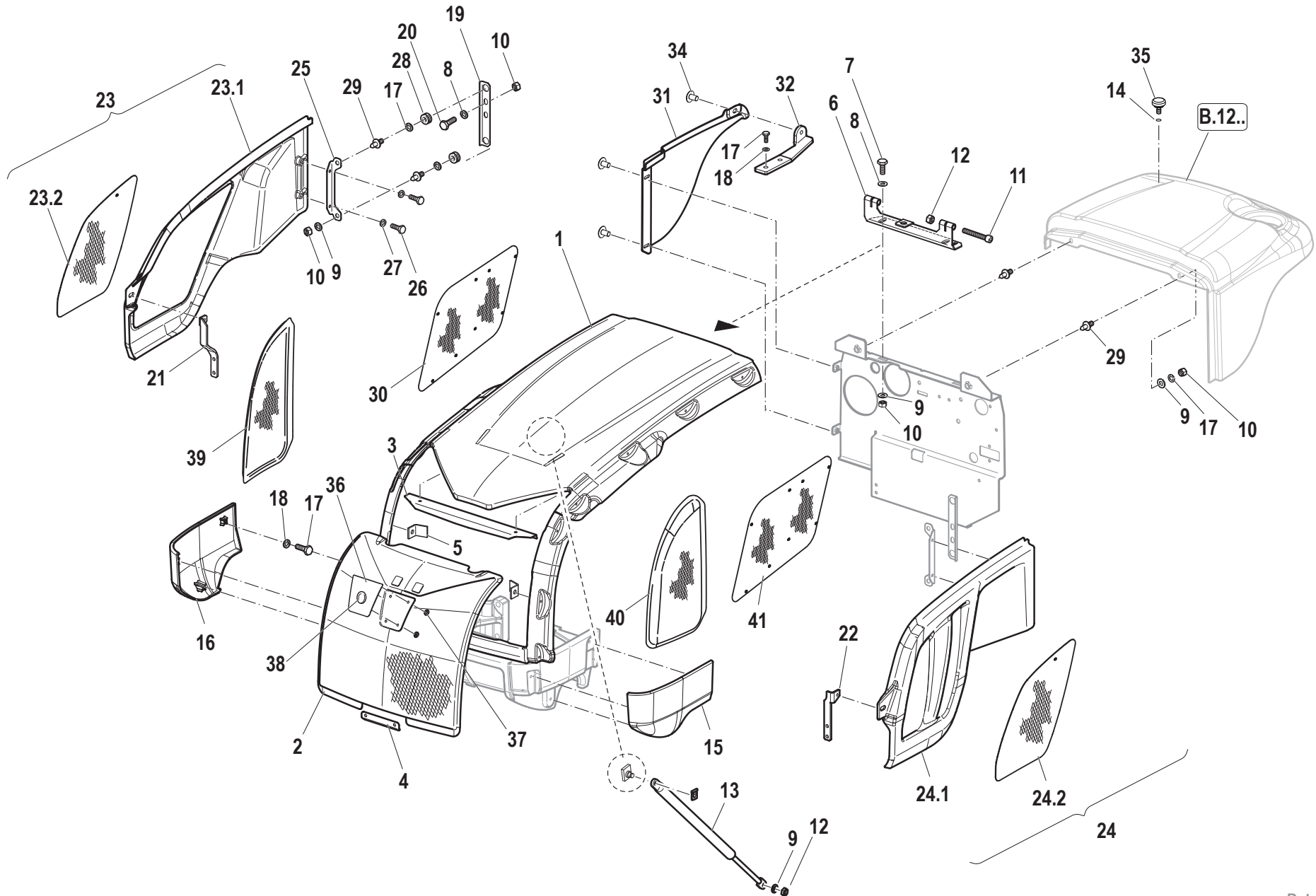
Pos.	Code	Q.ty	Description	Notes
20	31112149	4	SCREW TE M8X12 UNI 5739 8G	
7	31122802	2	SCREW TTQ M8X20 UNI 5731	
11	31152088	2	SCREW TCEI M8X55 UNI 5931	
10	31211080	6	NUT M8	
12	31241081	3	HEXAGON SELFLOCK NUT	
18	31411054	6	WASHER 5,3X15	
9	31411084	13	WASHER 8,4x17	
14	35211060	1	SEEGER RING	
24,1	552A2433	1	CAREN.LAT.SX GREZZA 75-95	
23,1	552A2437	1	CAREN.LAT.DX GREZZA 75-95	
4	56077362	1	BRACKET	
3	56077645	1	BRACKET	
35	56174835	1	KNOB	
22	56176693	1	BRACKET	
23,2	561A2434	1	GRIGL.LAT.DX-SX 75-95 CATAF.	
24,2	561A2434	1	GRIGL.LAT.DX-SX 75-95 CATAF.	
25	561A2435	2	BRACKET	
21	561A2439	1	BRACKET	
19	561A2440	2	REAR SUPPORT	
32	561A2506	1	BRACKET	
29	561A3068	4	PIN	
6	561A3315	1	BRACKET	
13	58092972	1	SPRING	
36	580A2974	1	SUPPORT	
38	580A3174	1	MOUSSE D.24/SP.1,5 BASE ADES.	
37	581A3048	4	RING	
15	552A2427V	1	CARENAT.ANT.SX 75-95 VERDE	
16	552A2430V	1	CARENAT.ANT.DX 75-95 VERDE	
39	56076928N	1	SIDE GRILL	
40	56076929N	1	SIDE GRILL	
41	56076930N	2	GRIG.PIANA SX-DX 75-95(NERA)	
5	56077393Z	6	PLATE	
2	560A2843N	1	FRONT GRILL	
30	573A2412V	1	COPERT.SERBAT(A2412)VERDE 6029	

SERIAL

BONNET (VEGA)

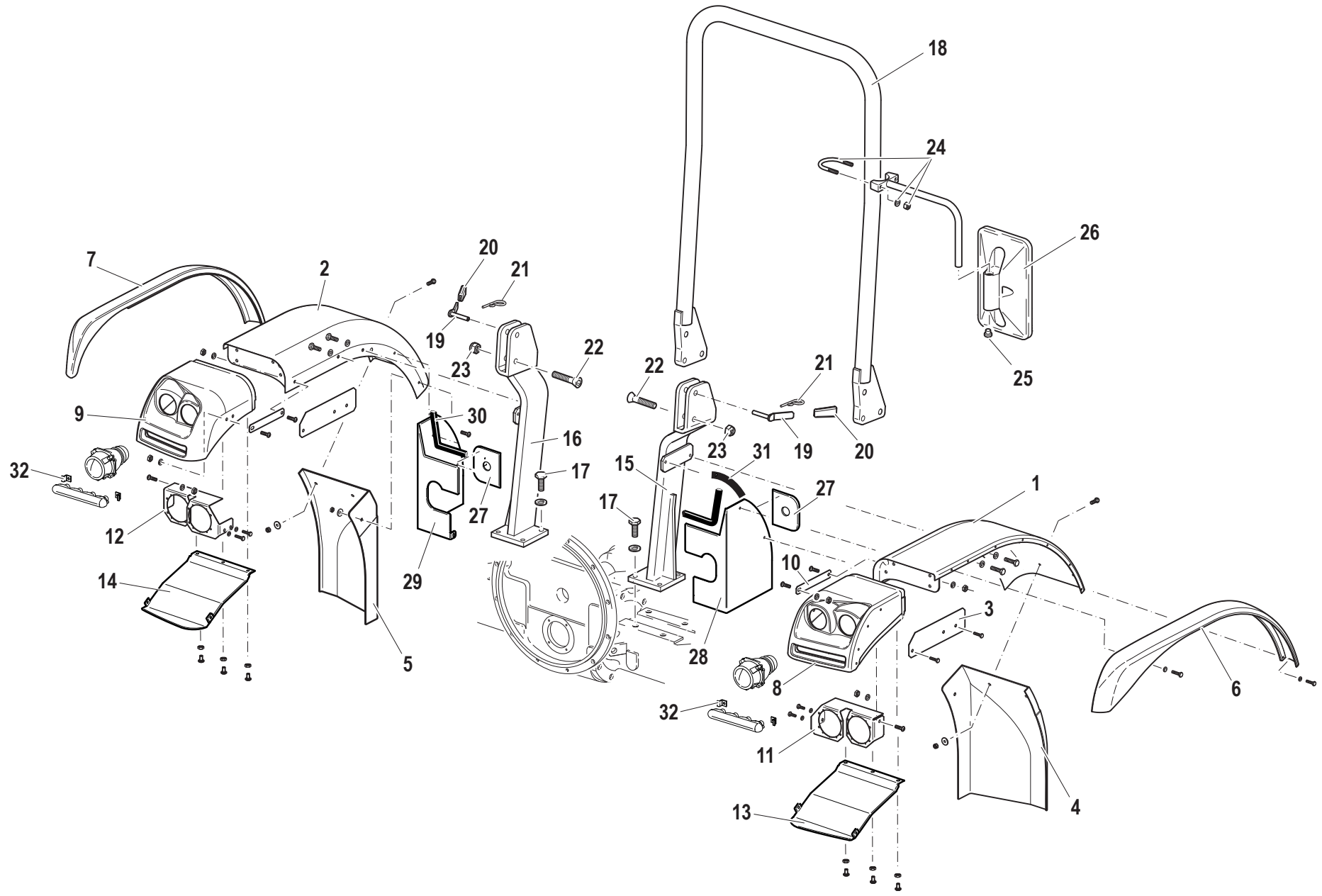
CODE REV

B.02.01.L60008_2



Pos.	Code	Q.ty	Description	Notes
31	573A2502V	1	PARATIA DX(A2502)VERDE 6029	
24	590A2432V	1	FIANCHETTO SX COMP.VERDE 75-95	
23	590A2436V	1	FIANCHETTO DX COMP.VERDE 75-95	
1	590A2842V	1	COFANO VERDE RESTYLING 85-95	
28	F0825414000	4	CABLE GLAND 7-15-18,5-2,5	
27	F0843561000	4	WASHER 5	
8	F0843643060	6	WASHER 8	
26	F0861929060	4	SCREW M5X12 UNI 5739	
17	F0861934060	8	SCREW M5X16 UNI 5739	
34	F0861973100	3	SCREW M6X12 COMBI	

FRONT MODGUARDS (VEGA)



Pos.	Code	Q.ty	Description	Notes
1	59076645V	1	LEFT FRONT FENDER	
2	59076641V	1	RIGHT FRONT FENDER	
3	56177256	2	GUARD	
4	57374523	4	WING EXTENSION	
5	57374522	4	WING EXTENSION	
6	57376675	1	WING EXTENSION	
7	57376676	1	WING EXTENSION	
8	57376621	10	SUPPORT	
9	57376622	10	SUPPORT	
10	56177326	10	RETAINER	
11	56176896	1	SUPPORT	
12	56176897	1	SUPPORT	
13	56176906	32	COVER	
14	56176905	10	COVER	
15	59076616	56	SUPPORT	
16	59076614	42	SUPPORT	
17	31112264	2	SCREW TE M12X35 UNI 5739	
18	59076612	2	SAFETY ROLL BAR	
19	59076690	2	HINGE PIN	
20	P917280000000	1	GRIP	
21	P439149000000	1	SPLIT PIN	
22	F0864377000	2	SCREW M16X70 UNI 5737	
23	F0814794000	1	SELFLOCK NUT M16 CL.6	
24	59070591	1	SUPPORT	
25	58170968	1	PLUG	
26	30000514	1	REAR VIEW MIRROR	
27	57376900	1	SHEATH	
28	59076902	1	STRIKER PLATE	
29	59076903	8	STRIKER PLATE	
30	F0256808000	1	FLAT BAND	
31	F0256910000	2	FOAM PROFILE 5X20	
32	56177045	2	RETAINER	

SERIAL

FRONT MODGUARDS (VEGA)

Hp 75

CODE REV

B.03.03.L60001_0

Pos.	Code	Q.ty	Description	Notes
26	30000514	1	REAR VIEW MIRROR	
17	31112264	2	SCREW TE M12X35 UNI 5739	
33	552A2924	1	COVER SX 75-95 0060.0651/A	
34	552A2925	1	COVER DX 75-95 0060.0652/A	
8	552A3073	1	SUPP.FARO ANT.SX 0060.0684	
9	552A3074	1	SUPP.FARO ANT.DX 0060.0685	
11	56176896	1	SUPPORT	
12	56176897	1	SUPPORT	
14	56176905	1	COVER	
13	56176906	1	COVER	
32	56177045	2	RETAINER	
3	56177256	2	GUARD	
10	56177326	1	RETAINER	
5	57374522	4	WING EXTENSION	
4	57374523	4	WING EXTENSION	
6	57376675	1	WING EXTENSION	
7	57376676	1	WING EXTENSION	
27	57376900	1	SHEATH	
25	58170968	1	PLUG	
35	581A3048	8	RING	
24	59070591	1	SUPPORT	
18	59076612	2	SAFETY ROLL BAR	
16	59076614	1	SUPPORT	
15	59076616	1	SUPPORT	
19	59076690	2	HINGE PIN	
28	59076902	1	STRIKER PLATE	
29	59076903	8	STRIKER PLATE	
2	59076641V	1	RIGHT FRONT FENDER	
1	59076645V	1	LEFT FRONT FENDER	
30	F0256808000	1	FLAT BAND	
31	F0256910000	2	FOAM PROFILE 5X20	
23	F0814794000	1	SELFLOCK NUT M16 CL.6	
22	F0864377000	2	SCREW M16X70 UNI 5737	
21	P439149000000	1	SPLIT PIN	

SERIAL

FRONT MODGUARDS

CODE REV

B.03.03.L60002_0

Pos.	Code	Q.ty	Description	Notes
20	P917280000000	1	GRIP	

Pos.	Code	Q.ty	Description	Notes
26	30000514	1	REAR VIEW MIRROR	
17	31112264	2	SCREW TE M12X35 UNI 5739	
27	552A2924	1	COVER SX 75-95 0060.0651/A	
28	552A2925	1	COVER DX 75-95 0060.0652/A	
8	552A3073	1	SUPP.FARO ANT.SX 0060.0684	
9	552A3074	1	SUPP.FARO ANT.DX 0060.0685	
11	56176896	1	SUPPORT	
12	56176897	1	SUPPORT	
14	56176905	1	COVER	
13	56176906	1	COVER	
32	56177045	2	RETAINER	
3	56177256	2	GUARD	
10	56177326	1	RETAINER	
5	57374522	4	WING EXTENSION	
4	57374523	4	WING EXTENSION	
6	57376675	1	WING EXTENSION	
7	57376676	1	WING EXTENSION	
25	58170968	1	PLUG	
29	581A3048	8	RING	
24	59070591	1	SUPPORT	
18	59076612	2	SAFETY ROLL BAR	
16	59076614	1	SUPPORT	
15	59076616	1	SUPPORT	
19	59076690	2	HINGE PIN	
2	59076641V	1	RIGHT FRONT FENDER	
1	59076645V	1	LEFT FRONT FENDER	
30	F0256808000	1	FLAT BAND	
31	F0256910000	2	FOAM PROFILE 5X20	
23	F0814794000	1	SELFLOCK NUT M16 CL.6	
22	F0864377000	2	SCREW M16X70 UNI 5737	
21	P439149000000	1	SPLIT PIN	
20	P917280000000	1	GRIP	

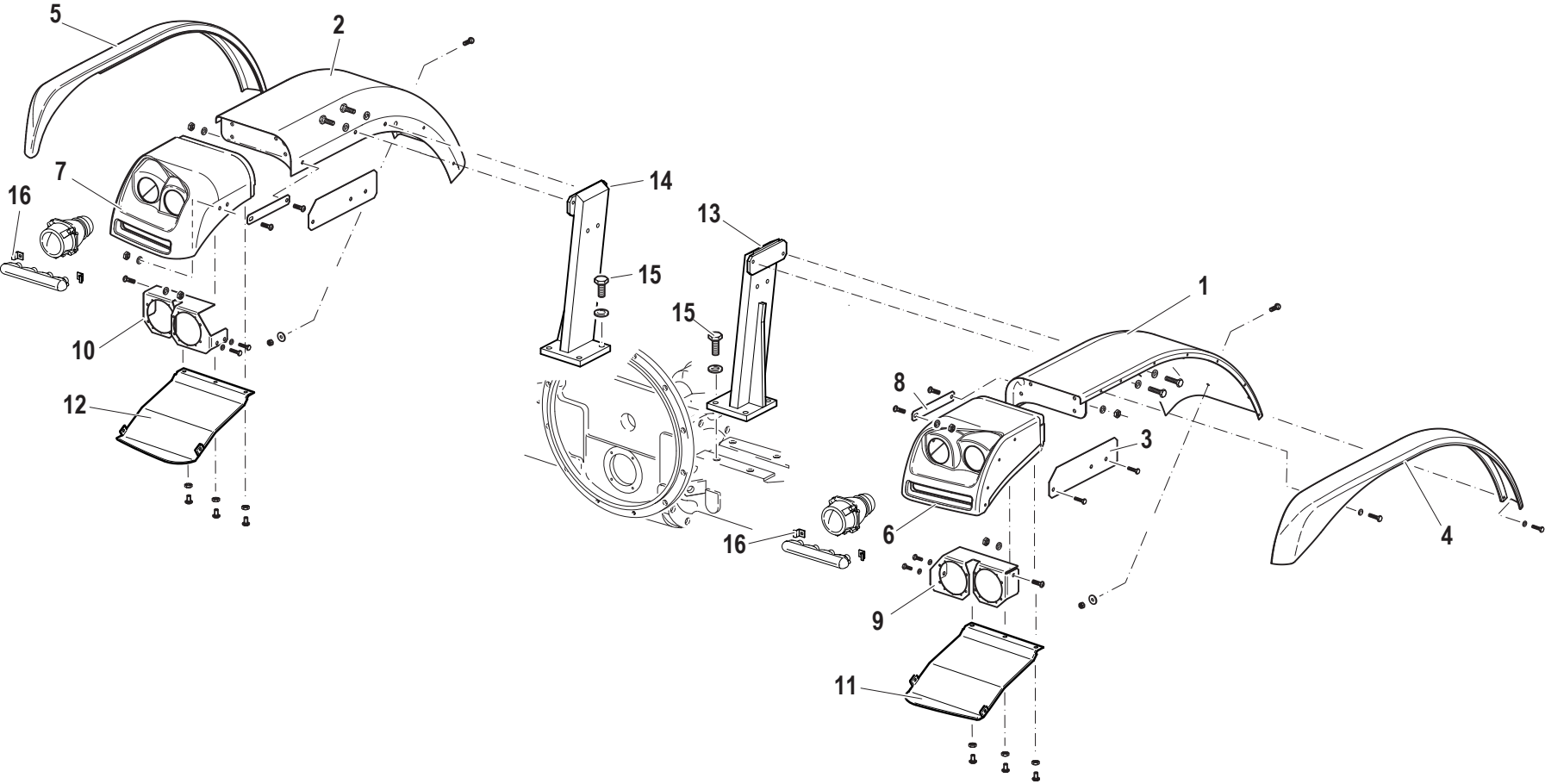
SERIAL

FRONT MODGUARDS

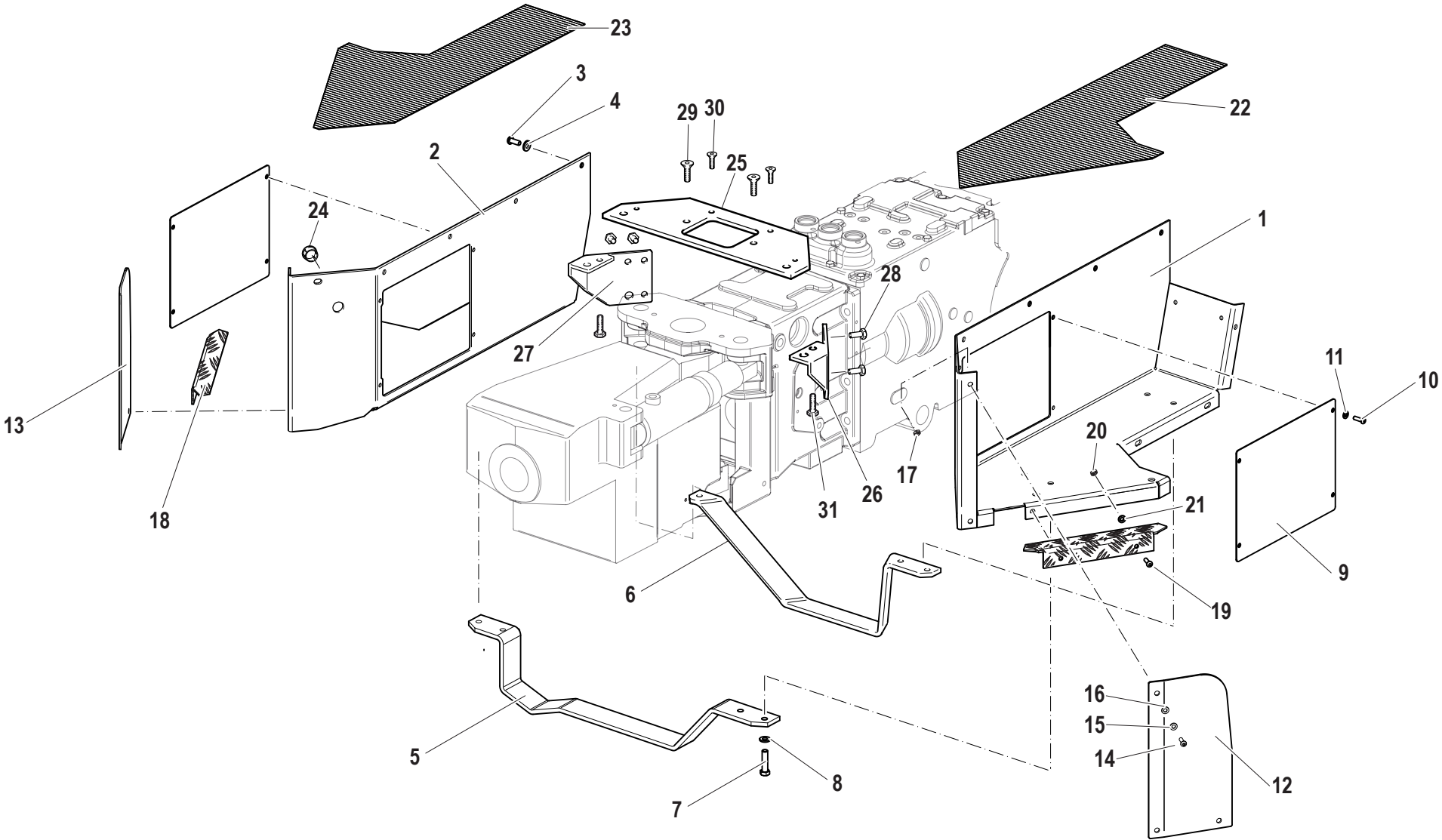
CODE REV

B.03.03.L60002_1

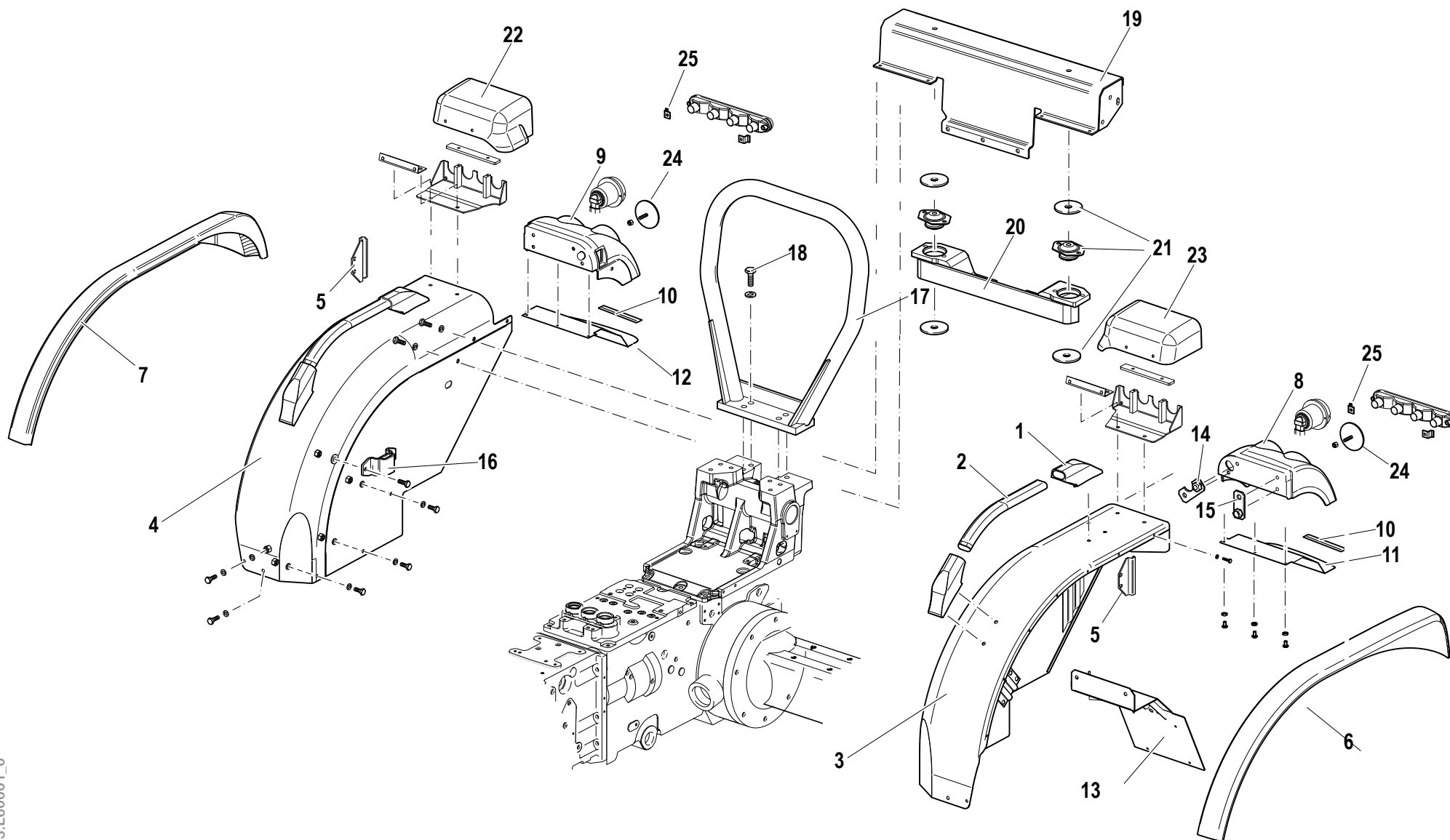
FRONT MODGUARDS (VERSION WITH CAB) (VEGA)



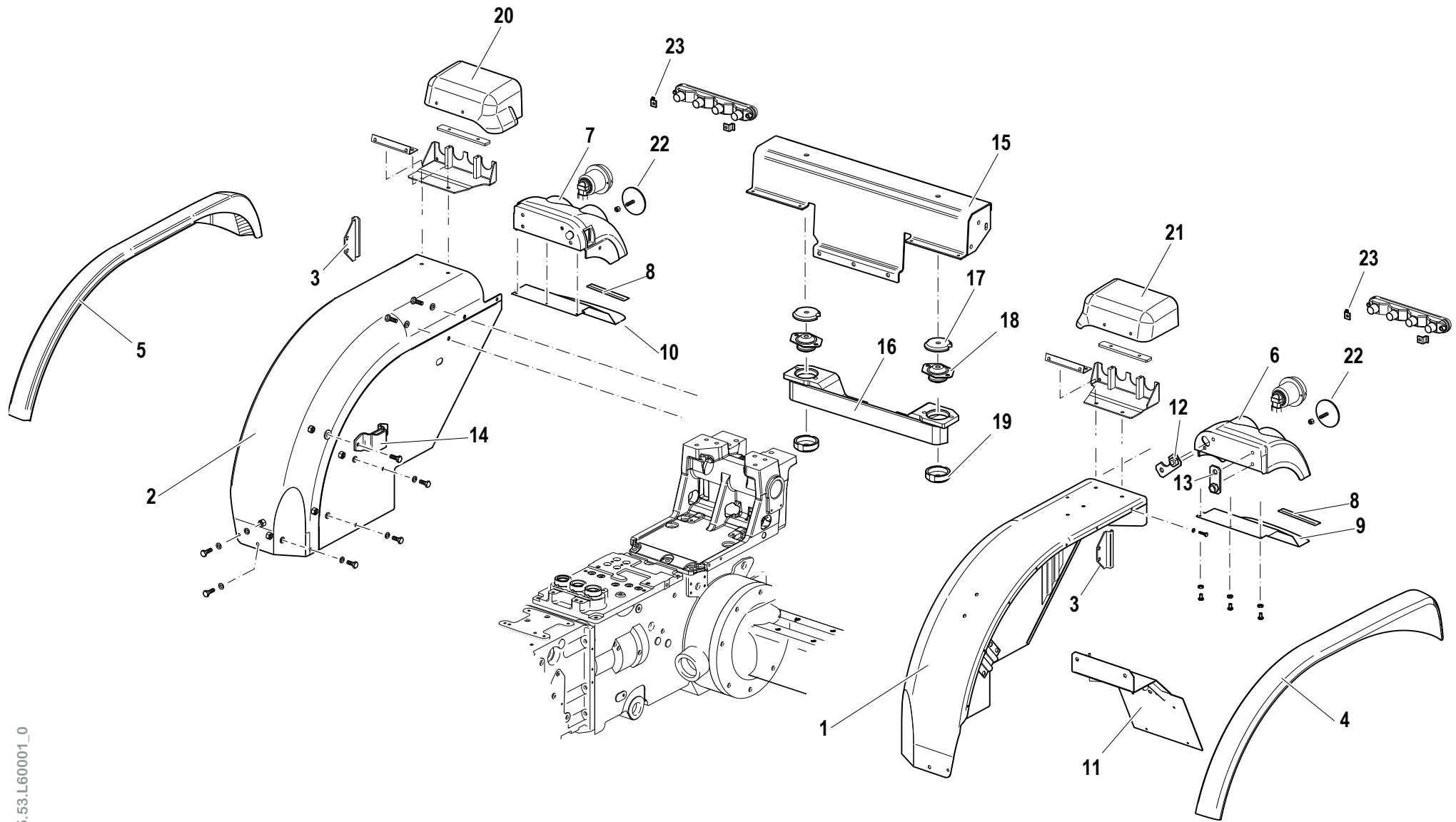
Pos.	Code	Q.ty	Description	Notes
1	59077389V	1	LEFT FRONT FENDER	
2	59077390V	1	RIGHT FRONT FENDER	
3	56177256	2	GUARD	
4	57377391	1	WING EXTENSION	
5	57377392	1	WING EXTENSION	
6	57376621	1	SUPPORT	
7	57376622	1	SUPPORT	
8	56177326	2	RETAINER	
9	56176896	1	SUPPORT	
10	56176897	1	SUPPORT	
11	56176906	1	COVER	
12	56176905	1	COVER	
13	59077055	1	WING HOLDER	
14	59077056	1	WING HOLDER	
15	31112264	8	SCREW TE M12X35 UNI 5739	
16	56177045	4	RETAINER	



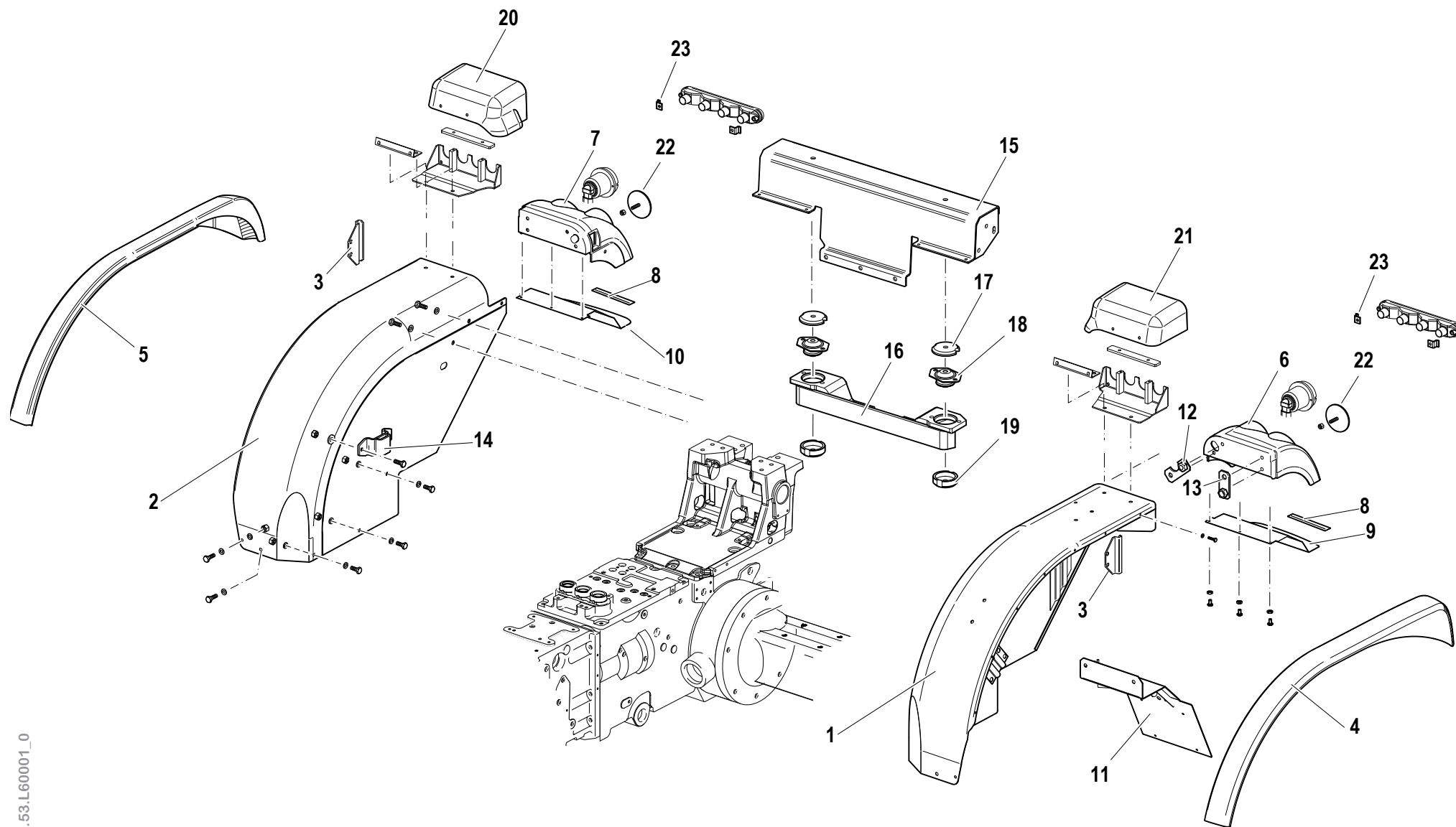
Pos.	Code	Q.ty	Description	Notes
1	59076483V	1	PEDANA SX COMPL.VERDE(76483)	
2	59076484V	1	PEDANA DX COMPL.VERDE(76484)	
3	F0862479020	10	SCREW M8X16 7380	
4	31411084	10	WASHER 8,4x17	
5	59077246	1	CROSS MEMBER	
6	56177247	1	CROSS MEMBER	
7	31112151	7	SCREW TE M8X25 UNI 5739 8G	
8	F0843643060	7	WASHER 8	
9	56176475V	2	COVER	
10	F0862479034	8	SCREW M6X12 7380	
11	31411064	8	WASHER 6,4x12,5	
12	56176490V	1	PROT.ANT.PED.SX VERDE(76490)	
13	56177081V	1	PROT.ANT.PED.DX VERDE(77081)	
14	F0862479020	6	SCREW M8X16 7380	
15	31411084	6	WASHER 8,4x17	
16	F0843643060	6	WASHER 8	
17	31211080	6	NUT M8	
18	57277277	2	ANGULAR	
19	F0862479035	4	SCREW	
20	31211060	4	HEXAGONAL NUT M8	
21	F0843570000	4	WASHER 6	
22	57377278	1	FOOTREST COVER	
23	57377279	1	FOOTREST COVER	
24	58170984	1	PLASTIC PLUG	
25	56176145	1	RETAINING PLATE	
26	59076146	1	BRACE	
27	59076147	1	BRACE	
28	31112229	5	SCREW M10x22 UNI 5739	
29	F0863208050	2	SCREW M10X20 UNI 5933	
30	31132566	2	SCREW TSVEI M8X20 UNI 5933	
31	31112207	2	SCREW TE M10X14 UNI 5739	



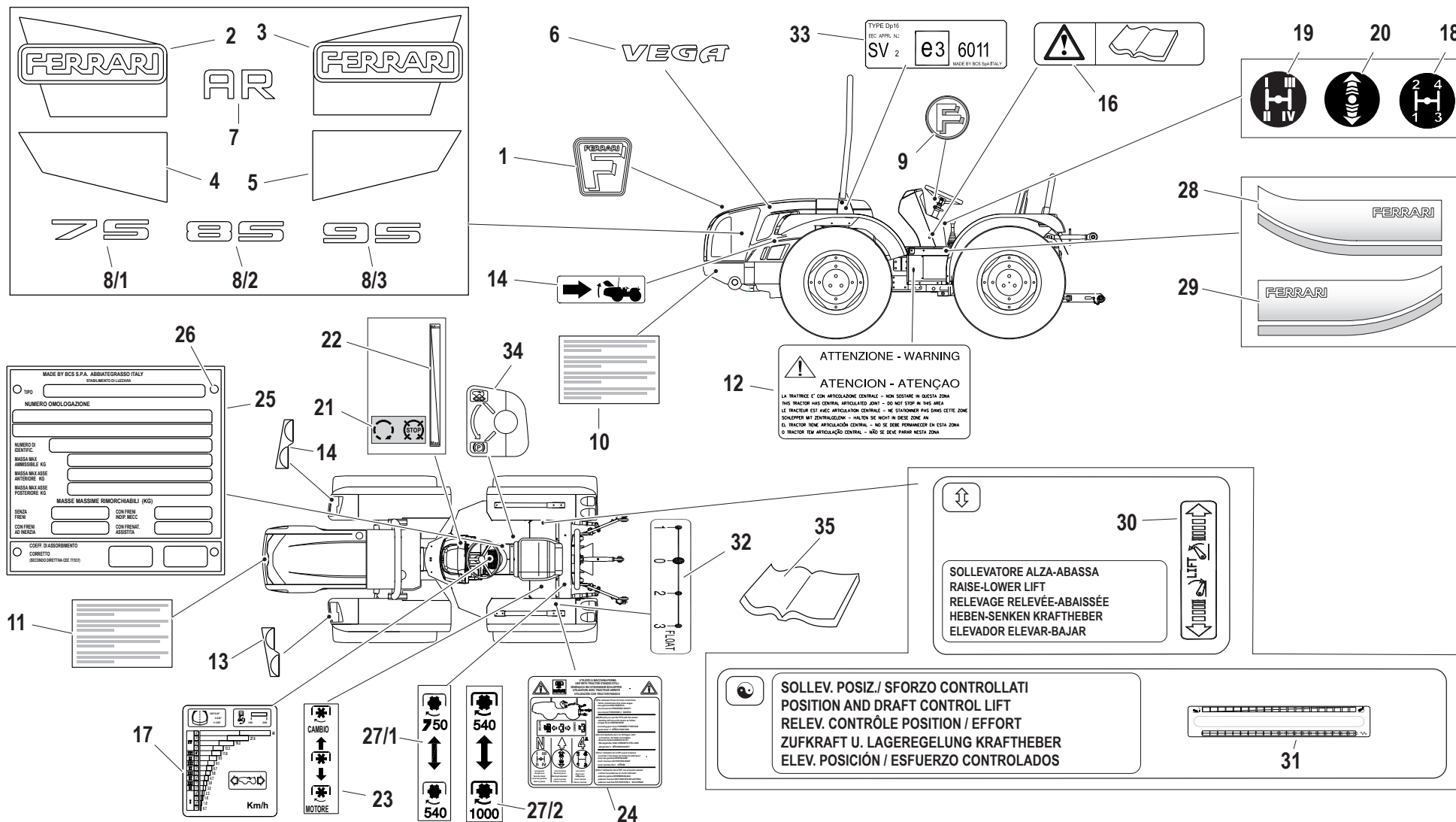
Pos.	Code	Q.ty	Description	Notes
1	55072935	4	SUPPORT	
2	56177252	2	MUDGUARD HANDLE	
3	59077919V	1	LEFT REAR FENDER	
4	59077923V	1	RIGHT REAR FENDER	
5	56176892	2	GUARD	
6	57376673	1	WING EXTENSION	
7	57376674	1	WING EXTENSION	
8	57376623	1	SUPPORT	
9	57376624	1	SUPPORT	
10	F0256910010	0.75	CELL FOAM PROFILE 10X15	
11	56176908	1	COVER	
12	56176907	1	COVER	
13	59076780	1	LICENCE PLATE HOLD	
14	56177264	1	RETAINING PLATE	
15	56177265	1	RETAINING PLATE	
16	59070592	1	LEVER BEARING	
17	59076861	1	SAFETY ROLL BAR	
18	31112801	4	SCREW M14x1,5x40 U/5740	
19	59076485V	1	TRAV.POST.PIATT. VERDE (76485)	
20	59076148	1	SUPPORT	
21	58176233	4	SILENT-BLOCK	
22	57376703	1	COVER	
23	57376704	1	COVER	
24	58177330	2	REFLECTOR	
25	56177045	4	RETAINER	



Pos.	Code	Q.ty	Description	Notes
1	59077919V	1	LEFT REAR FENDER	
2	59077923V	1	RIGHT REAR FENDER	
3	56176892	2	GUARD	
4	57376673	1	WING EXTENSION	
5	57376674	1	WING EXTENSION	
6	57376623	1	SUPPORT	
7	57376624	1	SUPPORT	
8	F0256910010	0.75	CELL FOAM PROFILE 10X15	
9	56176908	1	COVER	
10	56176907	1	COVER	
11	59076780	1	LICENCE PLATE HOLD	
12	56177264	1	RETAINING PLATE	
13	56177265	1	RETAINING PLATE	
14	59070592	1	LEVER BEARING	
15	59076485V	1	TRAV.POST.PIATT. VERDE (76485)	
16	59076148	1	SUPPORT	
17	56177223	4	STOP	
18	58177749	4	SILENT-BLOCK	
19	56177222	2	STOP	
20	57376703	1	COVER	
21	57376704	1	COVER	
22	58177330	2	REFLECTOR	
23	56177045	4	RETAINER	



Pos.	Code	Q.ty	Description	Notes
1	59077919B	1	LEFT REAR FENDER	
2	59077923B	1	RIGHT REAR FENDER	
3	56176892	2	GUARD	
4	57376673	1	WING EXTENSION	
5	57376674	1	WING EXTENSION	
6	57376623	1	SUPPORT	
7	57376624	1	SUPPORT	
8	F0256910010	0.75	CELL FOAM PROFILE 10X15	
9	56176908	1	COVER	
10	56176907	1	COVER	
11	59076780	1	LICENCE PLATE HOLD	
12	56177264	1	RETAINING PLATE	
13	56177265	1	RETAINING PLATE	
14	59070592	1	LEVER BEARING	
15	59076485B	1	CROSS MEMBER	
16	59076148	1	SUPPORT	
17	56177223	4	STOP	
18	58177749	4	SILENT-BLOCK	
19	56177222	2	STOP	
20	57376703	1	COVER	
21	57376704	1	COVER	
22	58177330	2	REFLECTOR	
23	56177045	4	RETAINER	



Pos.	Code	Q.ty	Description	Notes
1	58077000	1	DECAL	
2	58077195	1	DECAL	
3	58077196	1	DECAL	
4	58077191	1	DECAL	
5	58077192	1	DECAL	
6	58077144	2	DECAL	
7	58077188	2	DECAL	
9	58074777	1	DECAL	
10	58173772	1	PLATE	
11	58173773	1	PLATE	
12	58073156	2	PLATE	
13	58077421	1	DECAL	
14	58077422	1	DECAL	
15	58074841	1	DECAL	
16	58074880	1	PLATE	
17	58077046	1	DECAL	
18	58074222	1	DECAL	
19	58074221	1	DECAL	
20	58074220	1	DECAL	
21	58072511	1	INSTRUCTION PLATE	
22	58077047	1	DECAL	
23	58072575	1	PLATE	
24	58076077	1	DECAL	
25	58072737	1	PLATE	
26	F0808518050	4	RIVET 3,5x6,5	
28	58074839	1	DECAL	
29	58074846	1	DECAL	
30	58077051	1	PLATE	
31	58077050	1	DECAL	
32	58077054	1	PLATE	
33	58077615	1	PLATE	
34	58077048	1	DECAL	
35	F0907170132	1	TECH. MANUAL FERRARI VEGA	
35	F0907170135	1	TECHN. MANUAL VEGA	

SERIAL
END

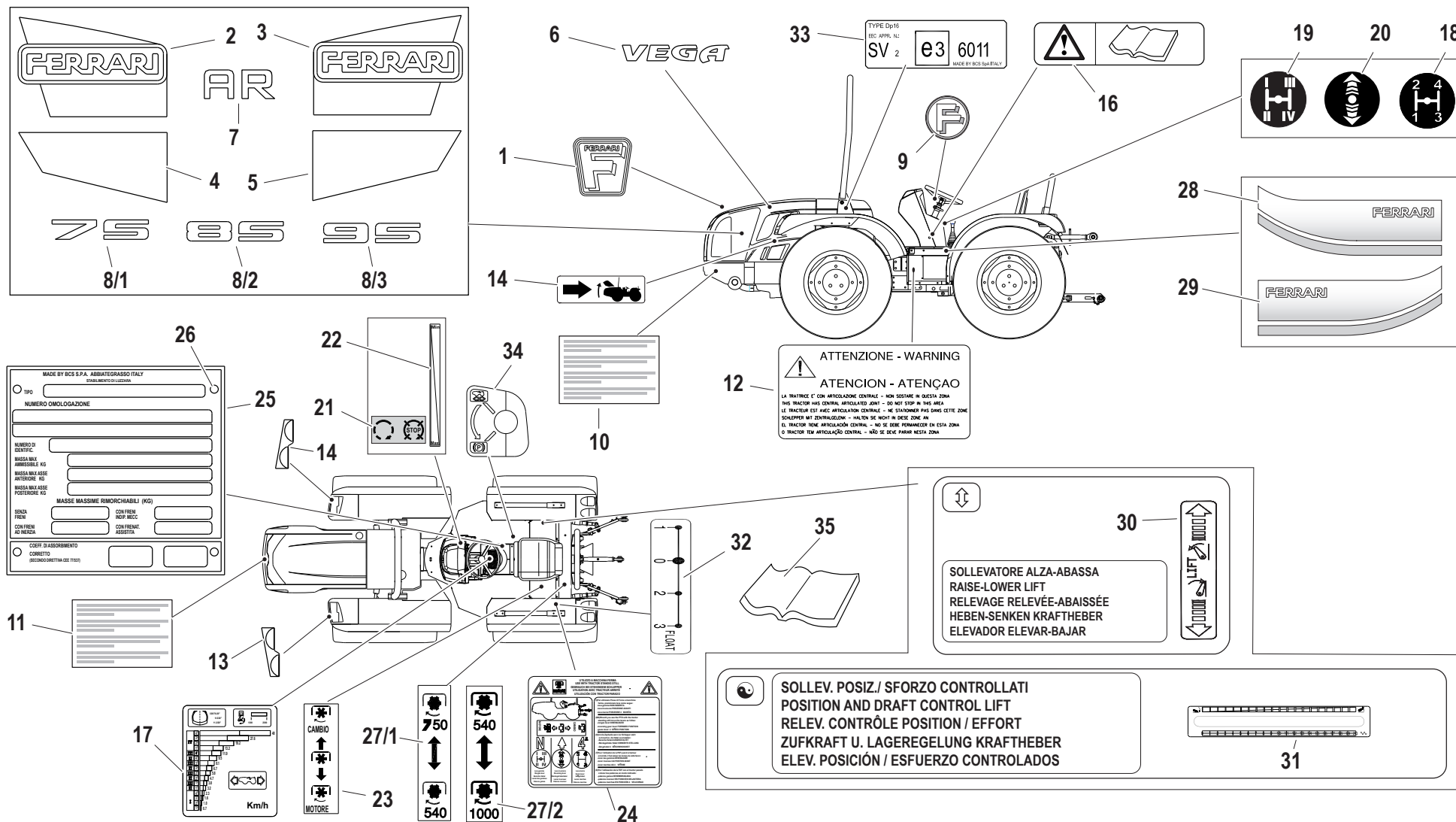
916940

PLATES AND STICKERS (VEGA)

Hp 75

CODE REV

B.06.03.L60001_0



Pos.	Code	Q.ty	Description	Notes
35	F0907170136	1	MAN.U/MFERRARI VEGA(FRA)	
35	F0907170137	1	MAN.U/MFERRARI VEGA(TED)	
35	F0907170138	1	MAN.U/MFERRARI VEGA(SPA)	
27,010000	58072518	1	PLATE	
27,020000	58072574	1	PLATE	
8,0100002	58077184	2	DECAL	
8,0200004	58077185	2	DECAL	
8,0299997	58077186	2	DECAL	

SERIAL
END

916940

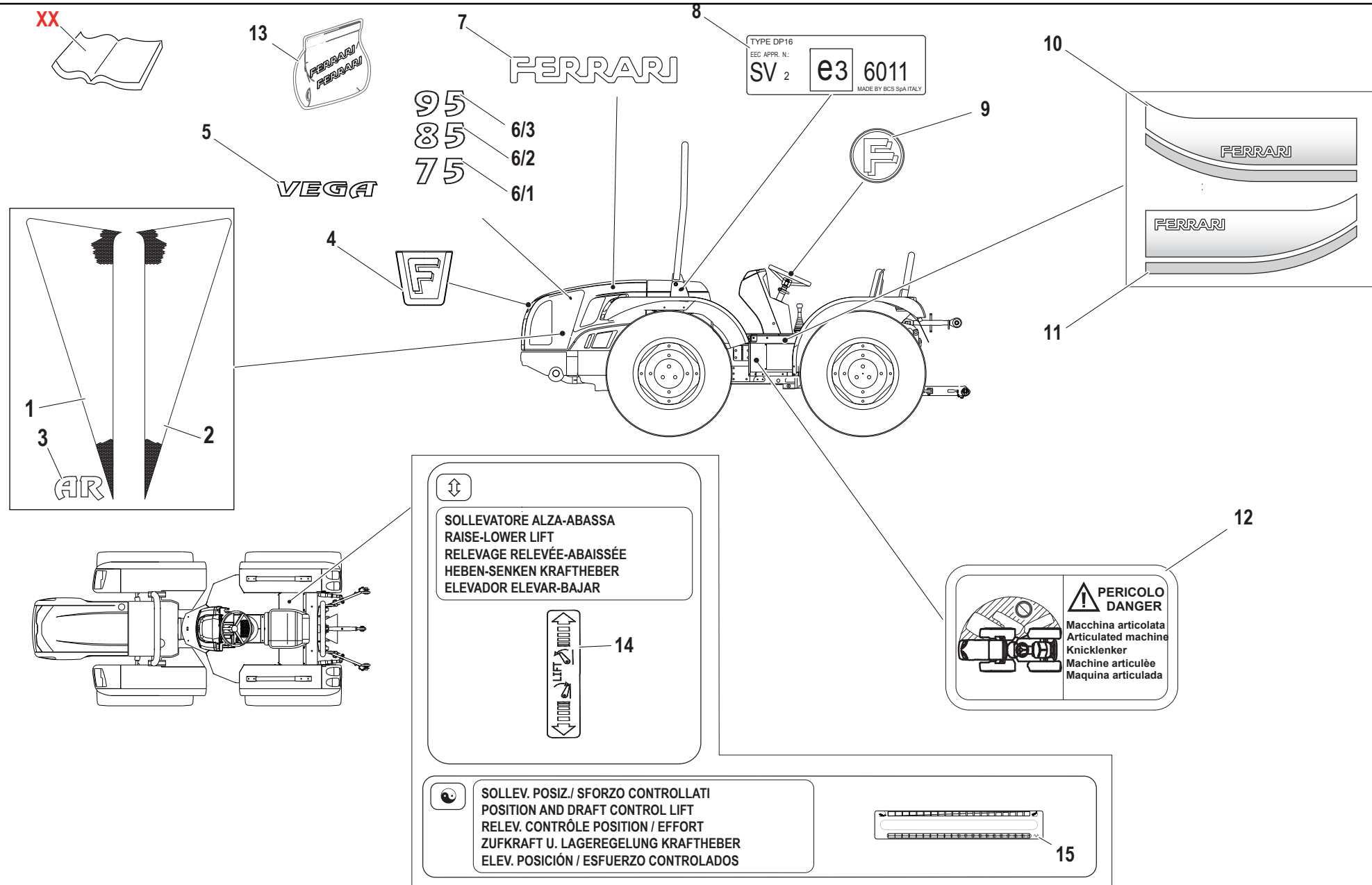
PLATES AND STICKERS (VEGA)

Hp 75

CODE REV

B.06.03.L60001_0

SERIAL START 916941



⇕

SOLLEVATORE ALZA-ABASSA
RAISE-LOWER LIFT
RELEVAGE RELEVÉE-ABAISSÉE
HEBEN-SENKEN KRAFTHEBER
ELEVADOR ELEVAR-BAJAR

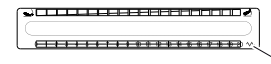
↑
LIFT
↓

⚠ PERICOLO
DANGER

Macchina articolata
Articulated machine
Knicklenker
Machine articulée
Maquina articulada

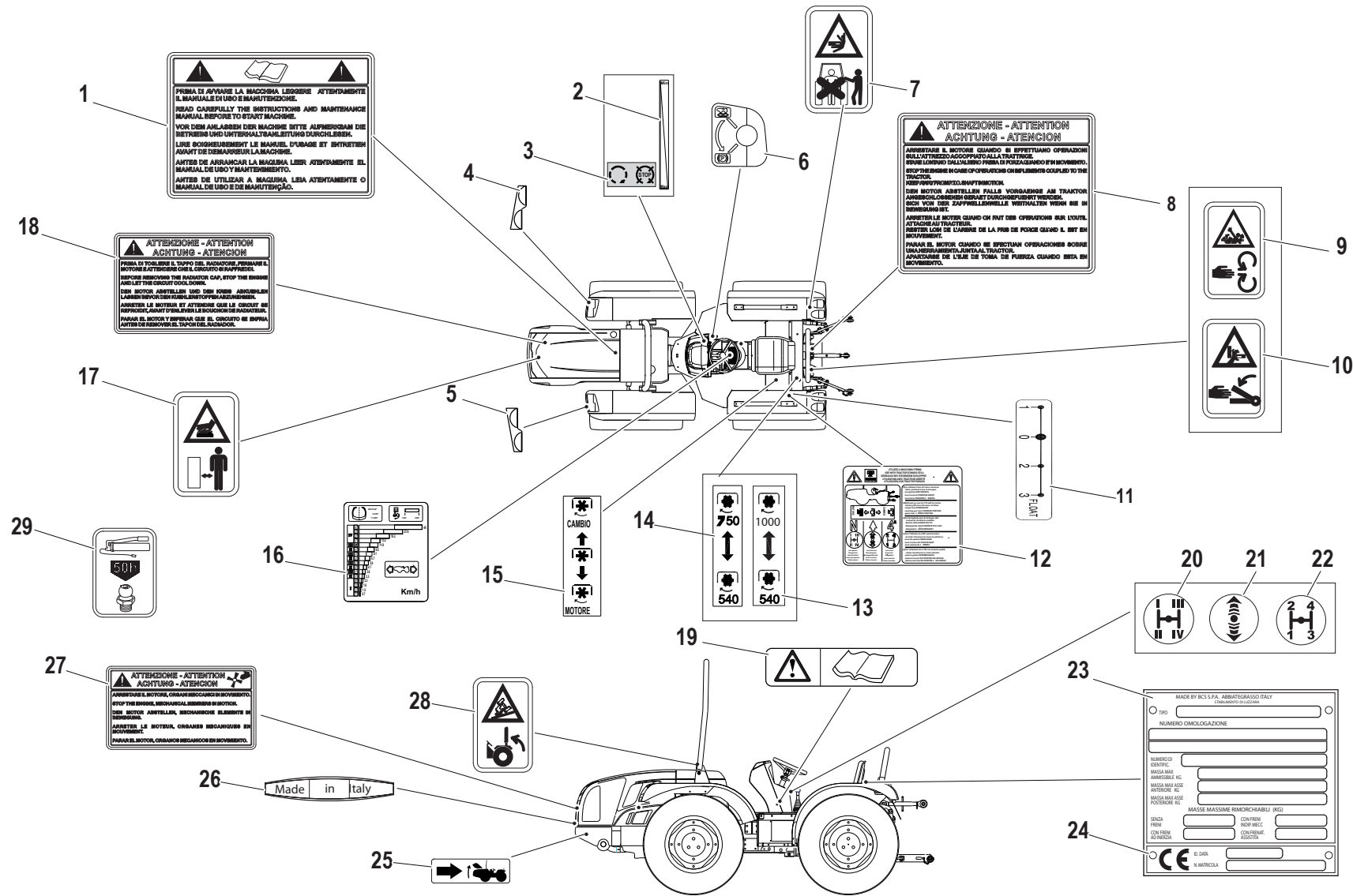
☉

SOLLEV. POSIZ./ SFORZO CONTROLLATI
POSITION AND DRAFT CONTROL LIFT
RELEV. CONTRÔLE POSITION / EFFORT
ZUFKRAFT U. LAGEREGELUNG KRAFTHEBER
ELEV. POSICIÓN / ESFUERZO CONTROLADOS



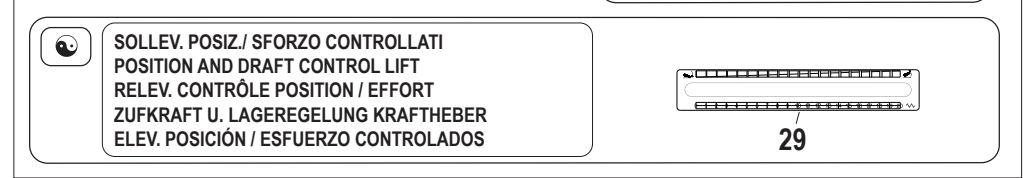
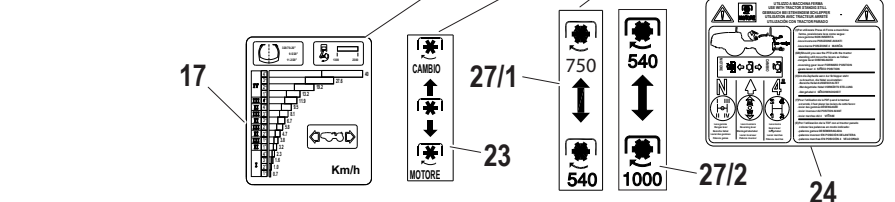
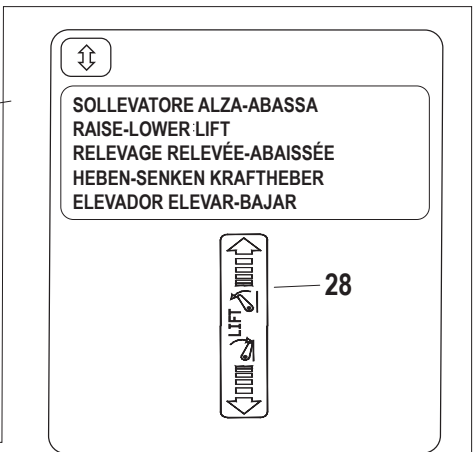
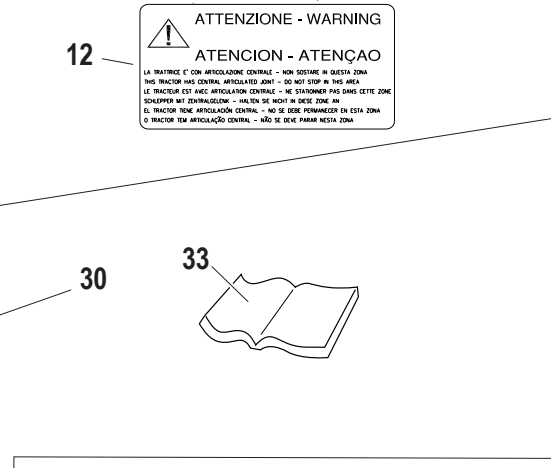
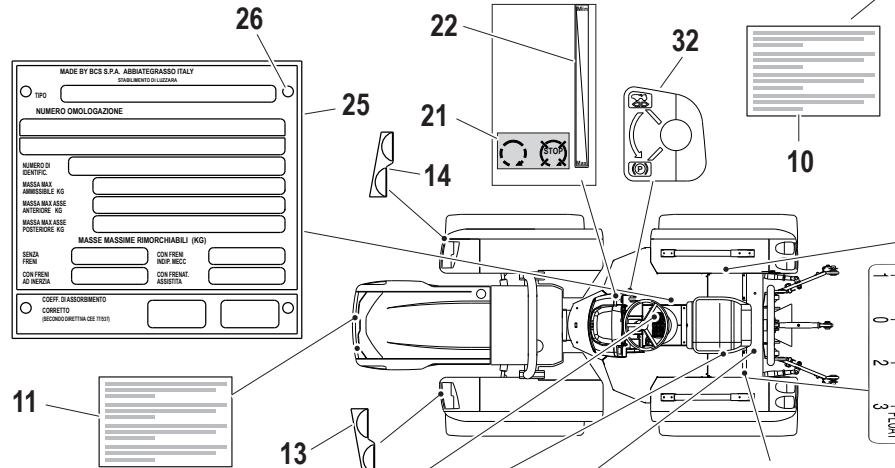
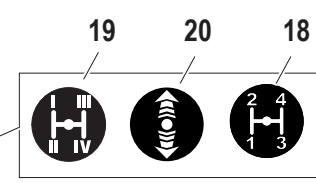
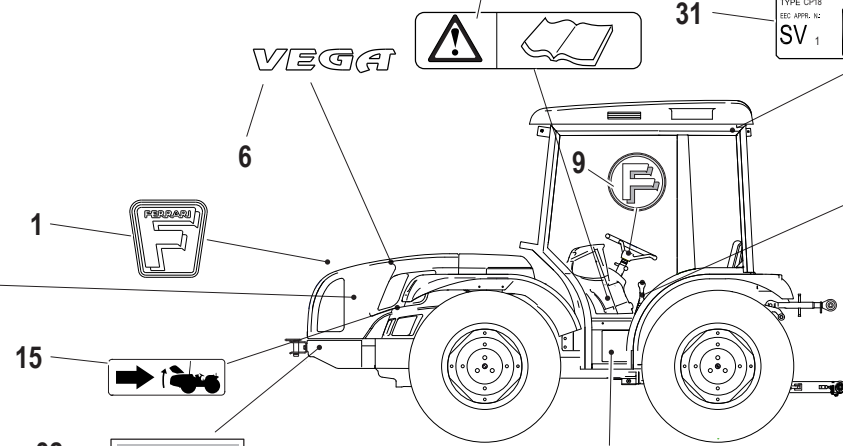
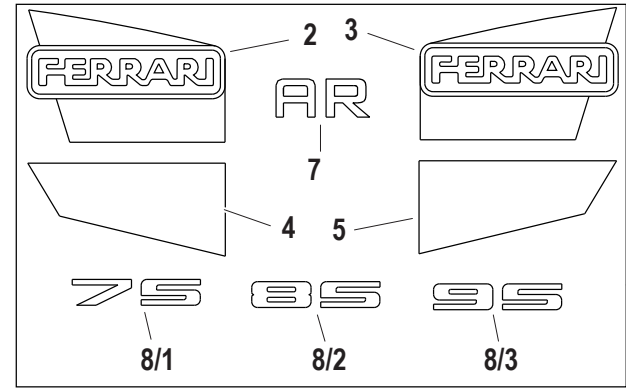
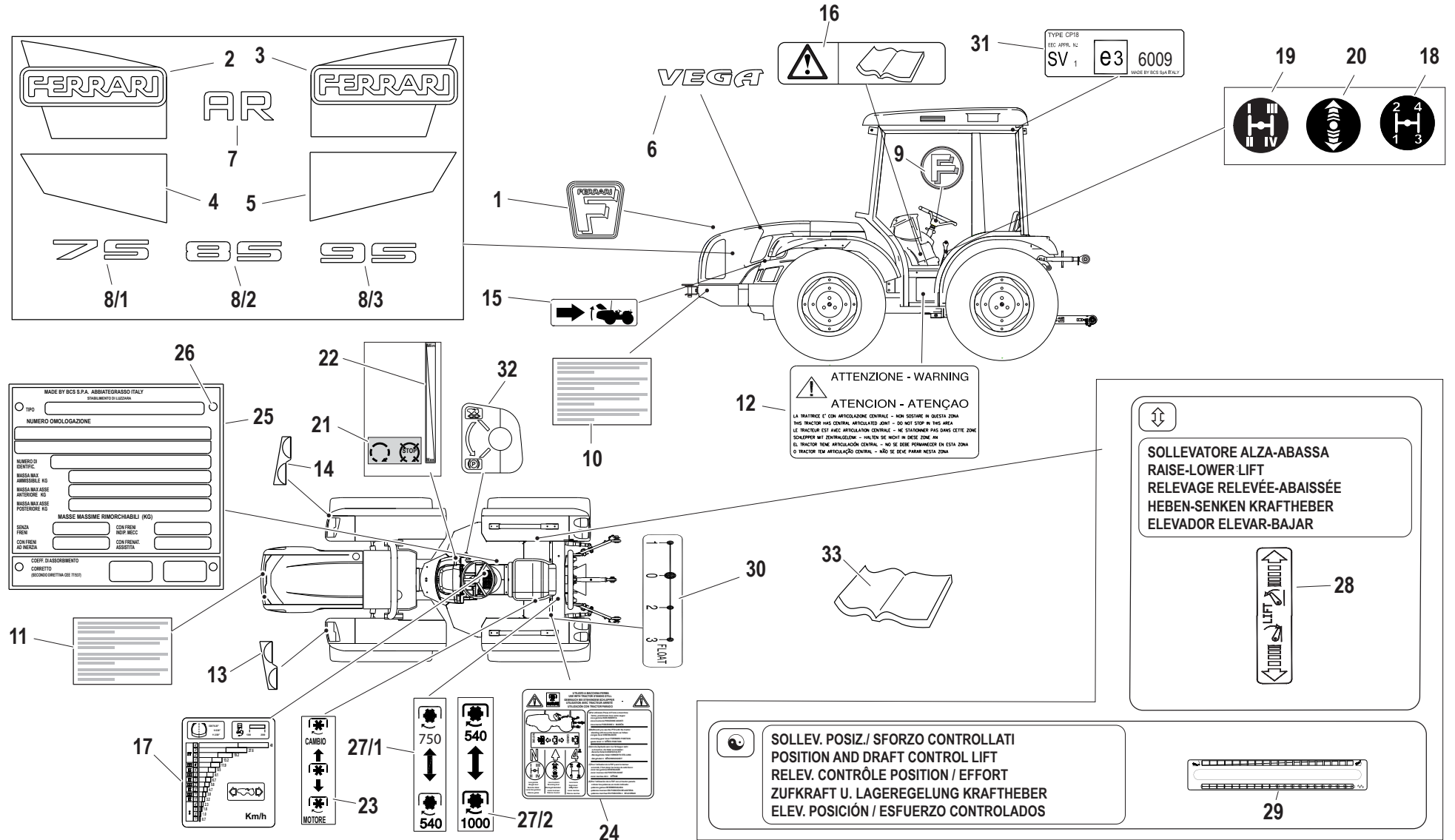
Pos.	Code	Q.ty	Description	Notes
1	580A1153	1	DECAL	
2	580A1152	1	DECAL	
3	580A1154	2	DECAL	
4	580A1161	1	DECAL	
5	580A1151	2	DECAL	
7	58179013	2	DECAL	
8	58077615	1	PLATE	
9	580A1121	1	DECAL	
10	58074839	1	DECAL	
11	58074846	1	DECAL	
12	580A1608	2	DECAL	
13	581A1060	1	GREEN TOOLS ENVELOPE	
14	58077051	1	PLATE	
15	58077050	1	DECAL	
6,0999999	580A1158	2	DECAL	
6,1999998	580A1157	2	DECAL	
6,3000001	580A1156	2	DECAL	

Pos.	Code	Q.ty	Description	Notes
15	58077050	1	DECAL	
14	58077051	1	PLATE	
17	58079509	1	DECAL	
3	580A0276	2	DECAL	
19	580A0285	1	DECAL	
8	580A0311	1	PLATE	
9	580A1121	1	DECAL	
10	580A1136	1	DECAL	
11	580A1137	1	DECAL	
12	580A1608	2	DECAL	
18	580A2196	1	DECAL	
4	580A2845	1	DECAL	
2	580A2852	1	DECAL	
1	580A2853	1	DECAL	
5	580A2894	2	DECAL	
7	580A2895	2	DECAL	
6	580A2898	2	DECAL	
16	580A3324	2	DECAL	
13	581A1060	1	GREEN TOOLS ENVELOPE	



Pos.	Code	Q.ty	Description	Notes
0	58173775	1	PLATE	
1	580A1042	1	PLATE	
2	58072511	1	INSTRUCTION PLATE	
3	58077047	1	DECAL	
4	58077421	1	DECAL	
5	58077422	1	DECAL	
6	58077048	1	DECAL	
7	580A1015	1	DECAL	
8	580A1037	1	PLATE	
9	580A1607	1	DECAL	
10	580A1606	1	DECAL	
11	58077054	1	PLATE	
12	58076077	1	DECAL	
13	58072574	1	PLATE	
14	58072518	1	PLATE	
15	58072575	1	PLATE	
16	58077046	1	DECAL	
17	580A1016	1	DECAL	
18	580A1038	1	PLATE	
19	58074880	1	PLATE	
20	580A1582	1	DECAL	
21	580A1583	1	DECAL	
22	580A1581	1	DECAL	
23	580A1023	1	PLATE	
24	F0808518050	4	RIVET 3,5x6,5	
25	58074841	1	DECAL	
26	580A1159	1	DECAL	
27	580A1039	1	FAN WARNING PLATE	
28	580A1605	1	DECAL	
29	580A1609	4	DECAL	

Pos.	Code	Q.ty	Description	Notes
2	58072511	1	INSTRUCTION PLATE	
14	58072518	1	PLATE	
13	58072574	1	PLATE	
15	58072575	1	PLATE	
19	58074880	1	PLATE	
12	58076077	1	DECAL	
16	58077046	1	DECAL	
3	58077047	1	DECAL	
6	58077048	1	DECAL	
11	58077054	1	PLATE	
7	580A1015	1	DECAL	
17	580A1016	1	DECAL	
23	580A1023	1	PLATE	
8	580A1037	1	PLATE	
18	580A1038	1	PLATE	
27	580A1039	1	FAN WARNING PLATE	
1	580A1042	1	PLATE	
22	580A1581	1	DECAL	
20	580A1582	1	DECAL	
21	580A1583	1	DECAL	
4	580A1605	1	DECAL	
10	580A1606	1	DECAL	
9	580A1607	1	DECAL	
5	580A1609	4	DECAL	
26	580A2179	1	DECAL	
25	580A3075	1	DECAL	
24	F0808518050	4	RIVET 3,5x6,5	



B.06.53.L60001_0

Pos.	Code	Q.ty	Description	Notes
1	58077000	1	DECAL	
2	58077195	1	DECAL	
3	58077196	1	DECAL	
4	58077191	1	DECAL	
5	58077192	1	DECAL	
6	58077144	2	DECAL	
7	58077188	2	DECAL	
9	58074777	1	DECAL	
10	58173772	1	PLATE	
11	58173773	1	PLATE	
12	58073156	2	PLATE	
13	58077421	1	DECAL	
14	58077422	1	DECAL	
15	58074841	1	DECAL	
16	58074880	1	PLATE	
17	58077046	1	DECAL	
18	58074222	1	DECAL	
19	58074221	1	DECAL	
20	58074220	1	DECAL	
21	58072511	1	INSTRUCTION PLATE	
22	58077047	1	DECAL	
23	58072575	1	PLATE	
24	58076077	1	DECAL	
25	58072737	1	PLATE	
26	F0808518050	4	RIVET 3,5x6,5	
28	58077051	1	PLATE	
29	58077050	1	DECAL	
30	58077054	1	PLATE	
31	58077614	1	PLATE	
32	58077048	1	DECAL	
33	F0907170132	1	TECH. MANUAL FERRARI VEGA	
33	F0907170135	1	TECHN. MANUAL VEGA	
33	F0907170136	1	MAN.U/MFERRARI VEGA(FRA)	
33	F0907170137	1	MAN.U/MFERRARI VEGA(TED)	

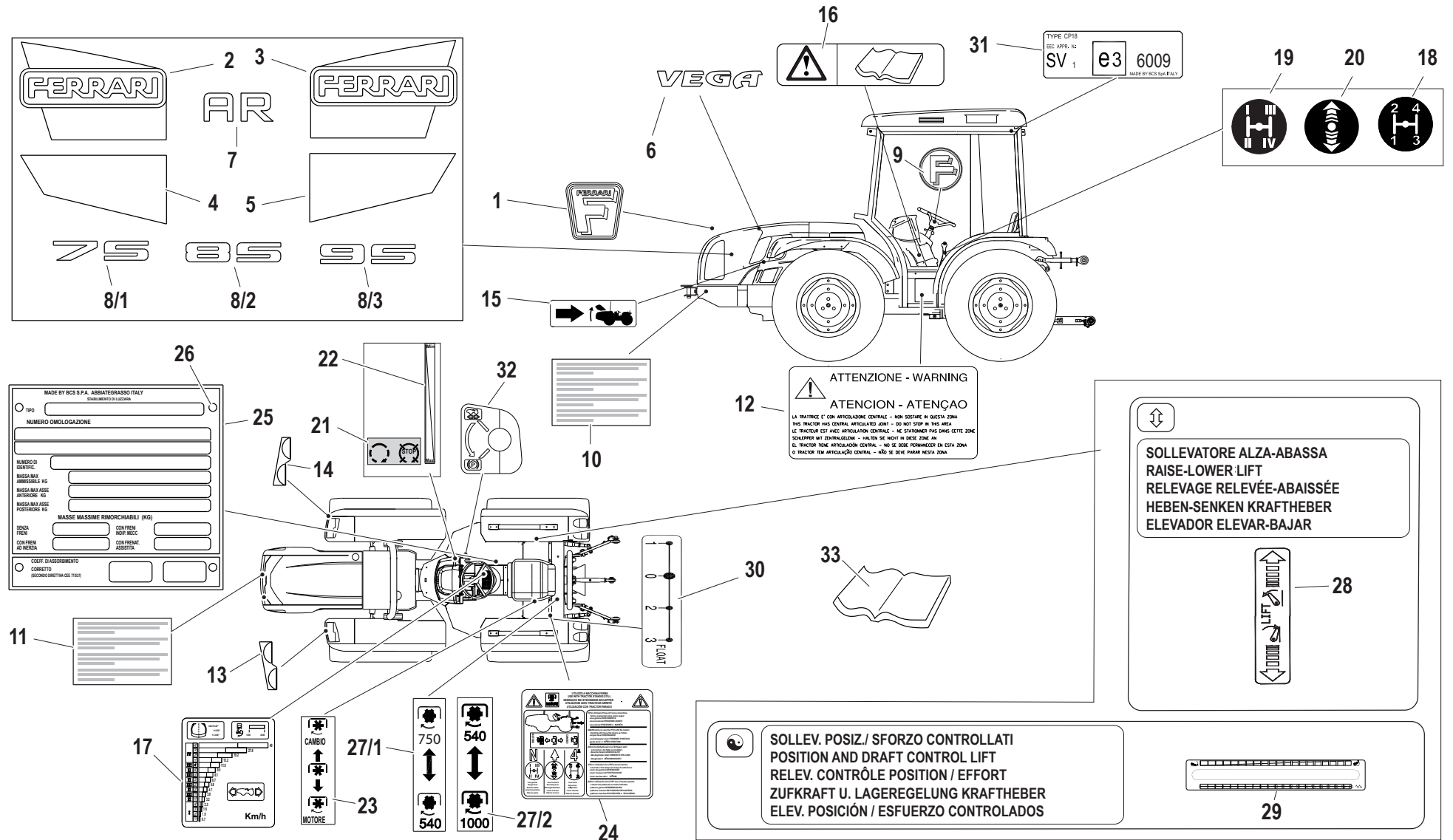
SERIAL

PLATES AND STICKERS (VEGA) (AR CAB)

Hp 75

CODE REV

B.06.53.L60001_0

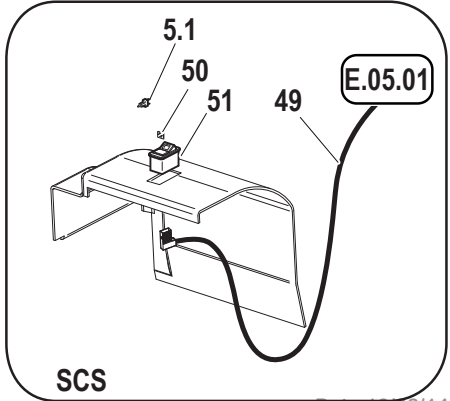
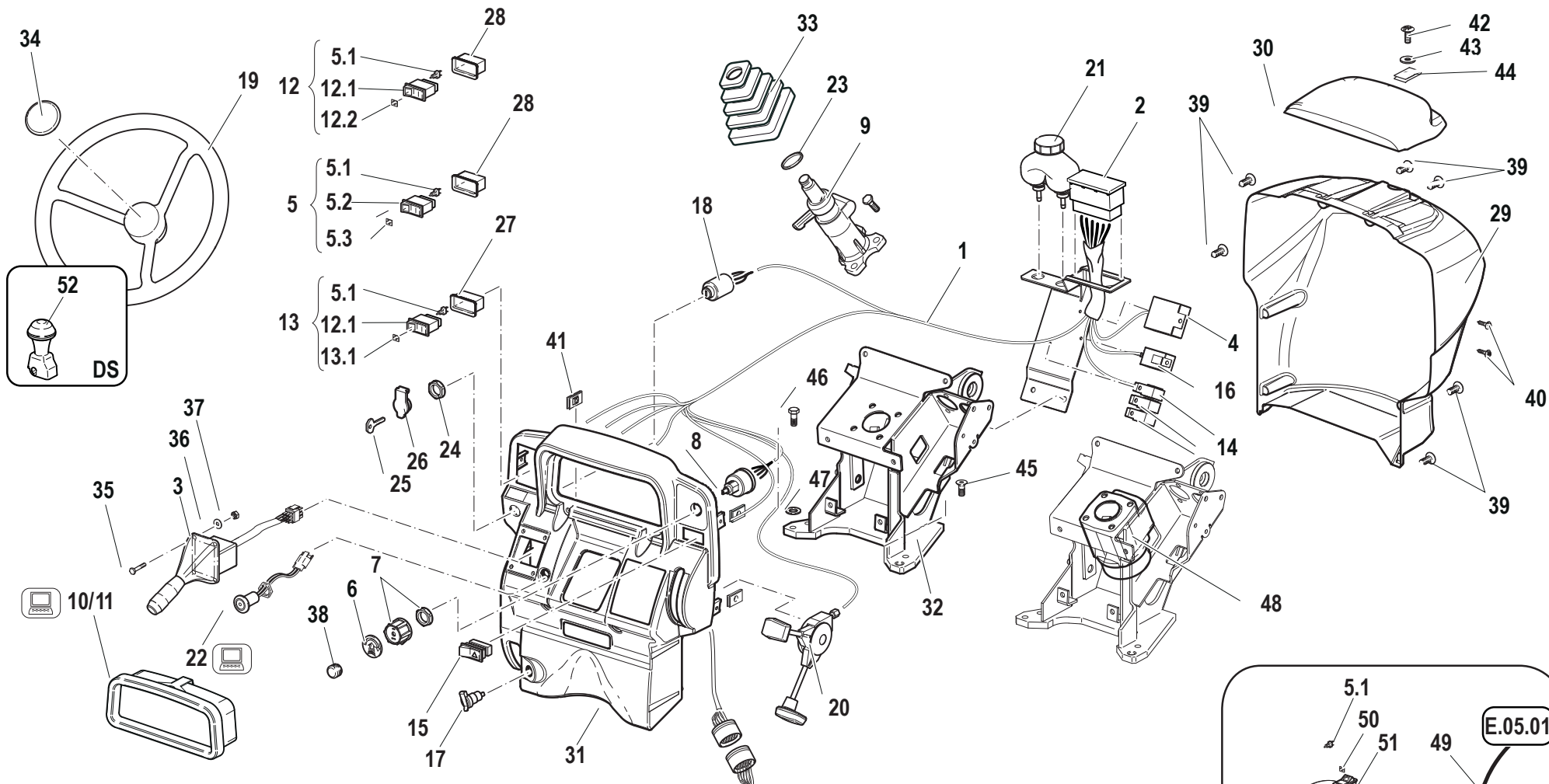


Pos.	Code	Q.ty	Description	Notes
33	F0907170138	1	MAN.U/MFERRARI VEGA(SPA)	
27,010000	58072518	1	PLATE	
27,020000	58072574	1	PLATE	
8,0100002	58077184	2	DECAL	
8,0200004	58077185	2	DECAL	
8,0299997	58077186	2	DECAL	

DASHBOARD

SERIAL END 914975

B.07.01.L60007_0



Pos.	Code	Q.ty	Description	Notes
1	58079935	1	CABLE	
2	58170453	1	FUSE BOX	
3	58173345	1	STEERING COLUMN SWITCH UNIT	
4	58175700	1	SWITCHING CONTROL UNIT	
5	58176580	1	CHANGE-OVER SWITCH	
6	58176826	1	COVER	
7	58176834	1	KNOB	
8	58176853	1	SWITCH	
9	58177087	1	SMALL COLUMN	
10	58177142	1	INSTRUMENT	
11	58177143	1	INSTRUMENT	
12	58177266	1	CHANGE-OVER SWITCH	
13	58176578	1	CHANGE-OVER SWITCH	
14	59900242	3	RELAY	
15	F0825115010	1	PUSH-BUTTON	
16	F0825139000	1	FLASHER	
17	F0825403050	1	SOCKET	
18	F0825500200	1	CHANGE-OVER SWITCH	
19	F0865040000	1	STEERING WHEEL	
20	P238106000000	1	ACCELERATOR	
21	P238176000000	1	TANK	
22	58176593	1	SWITCH	
23	56177086	1	CENTERING	
24	F0825500210	1	RING NUT	
25	F0825500220	1	KEY	
26	F0825400060	1	COVER	
27	58175162	1	CHANGE-OVER SWITCH HOLDER	
28	58170376	2	TERMINAL FOR SWITCH	
29	57376301	1	DASHBOARD	
30	57376302	1	COVER	
31	55276300	1	INSTRUMENT PANEL	
32	59077017	1	SUPPORT	
33	P238105000000	1	BELLOWS	
34	F0865040020	1	PLUG	

SERIAL
END

914975

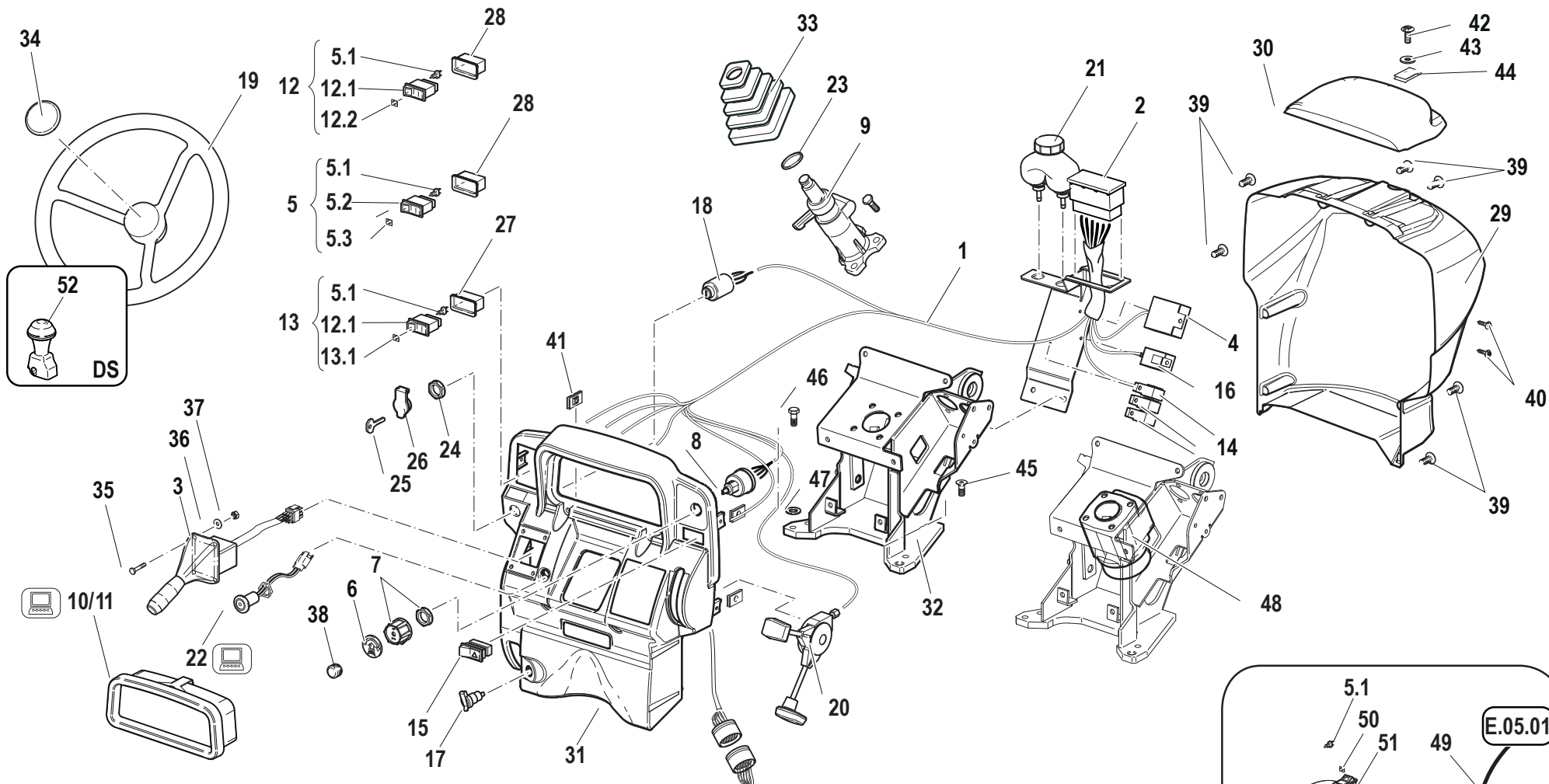
DASHBOARD

Hp 75

CODE REV

B.07.01.L60007_0

DASHBOARD

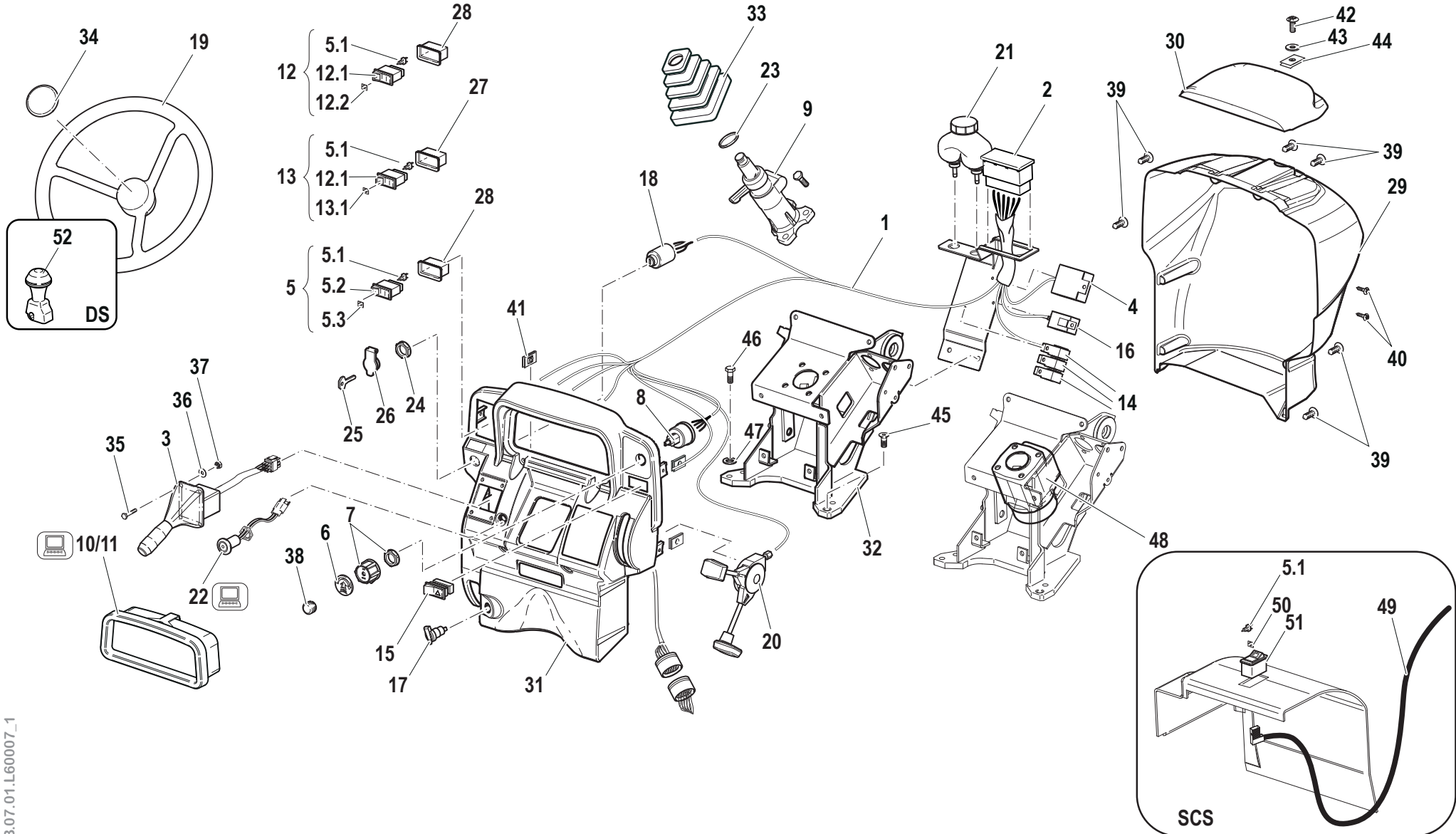


B.07.01.L60007_0

Pos.	Code	Q.ty	Description	Notes
35	31111084	4	SCREW TE M4X16 UNI 5739 8G	
36	F0843526000	4	WASHER 4,3x12/1,5	
37	31211040	4	NUT M4	
38	58177657	1	PLUG	
39	31510053	6	RIBBED SCREW TC 4,8X32	
40	31510096	4	RIBBED SCREW 4,2X16	
41	58173767	4	SMALL PLATE	
42	58177426	1	SCREW	
43	58177424	1	WASHER	
44	58177425	1	SPRING	
45	31133600	1	SCREW TSVEI M10X25 U5933	
46	31112219	3	SCREW TE M10X25 UNI 5739	
47	F0843755000	3	WASHER 10	
48	58178954	1	HYDROSTEERING	
49	58079279	1	CABLE	
50	58179271	1	GREEN GLASS	
51	58173118	1	SWITCH	
52	58178958	1	HANDLE	
5.1	58173119	4	PILOT LIGHT 12V	
5.2	58176581	1	SWITCH	
5.3	58173121	1	GLASS	
12.1	58177268	2	CHANGE-OVER SWITCH	
12.2	58173120	1	GLASS	
13.1	58176579	1	GLASS	

DASHBOARD

SERIAL START 914976 END 917506



B.07.01.L60007_1

Pos.	Code	Q.ty	Description	Notes
1	58079935	1	CABLE	
2	58170453	1	FUSE BOX	
3	58173345	1	STEERING COLUMN SWITCH UNIT	
4	58175700	1	SWITCHING CONTROL UNIT	
5	58176580	1	CHANGE-OVER SWITCH	137/07
6	58176826	1	COVER	
7	58176834	1	KNOB	
8	58176853	1	SWITCH	
9	58177087	1	SMALL COLUMN	
10	58177142	1	INSTRUMENT	
11	58177143	1	INSTRUMENT	
12	58177266	1	CHANGE-OVER SWITCH	137/07
13	58176578	1	CHANGE-OVER SWITCH	137/07
14	59900242	3	RELAY	
15	F0825115010	1	PUSH-BUTTON	
16	F0825139000	1	FLASHER	
17	F0825403050	1	SOCKET	
18	F0825500200	1	CHANGE-OVER SWITCH	
19	F0865040000	1	STEERING WHEEL	
20	P238106000000	1	ACCELERATOR	
21	P238176000000	1	TANK	
22	58176593	1	SWITCH	
23	56177086	1	CENTERING	
24	F0825500210	1	RING NUT	
25	F0825500220	1	KEY	
26	F0825400060	1	COVER	
27	58175162	1	CHANGE-OVER SWITCH HOLDER	
28	58170376	2	TERMINAL FOR SWITCH	
29	57376301	1	DASHBOARD	
30	57376302	1	COVER	
31	55276300	1	INSTRUMENT PANEL	
32	59077017	1	SUPPORT	
33	P238105000000	1	BELLOWS	
34	F0865040020	1	PLUG	

SERIAL
START
914976

END
917506

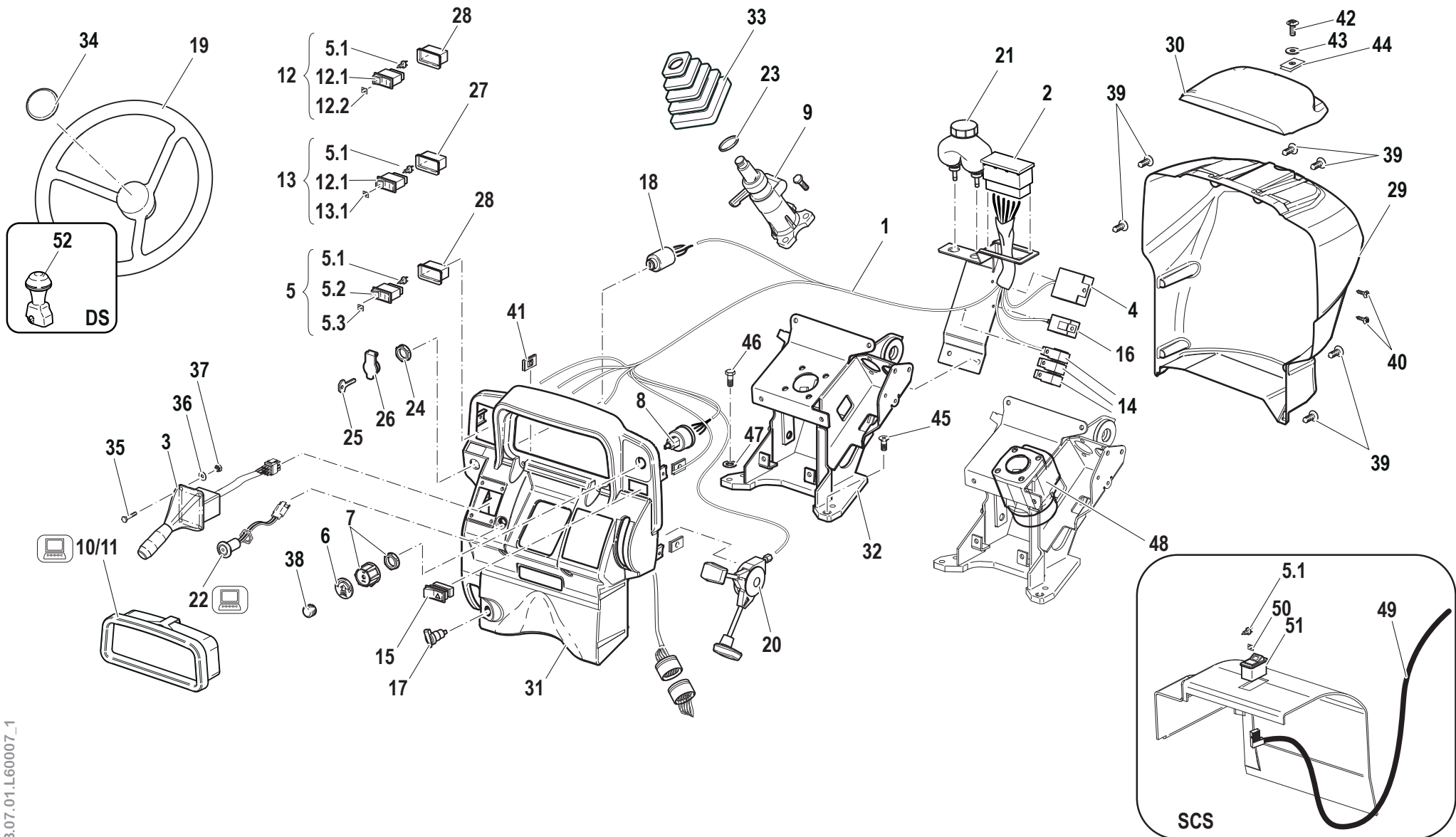
DASHBOARD
Hp 75

CODE REV
B.07.01.L60007_1

DASHBOARD

SERIAL START 914976 END 917506

B.07.01.L60007_1



B.07.01.L60007_1

Pos.	Code	Q.ty	Description	Notes
35	31111084	4	SCREW TE M4X16 UNI 5739 8G	
36	F0843526000	4	WASHER 4,3x12/1,5	
37	31211040	4	NUT M4	
38	58177657	1	PLUG	
39	31510053	6	RIBBED SCREW TC 4,8X32	
40	31510096	4	RIBBED SCREW 4,2X16	
41	58173767	4	SMALL PLATE	
42	58177426	1	SCREW	
43	58177424	1	WASHER	
44	58177425	1	SPRING	
45	31133600	1	SCREW TSVEI M10X25 U5933	
46	31112219	3	SCREW TE M10X25 UNI 5739	
47	F0843755000	3	WASHER 10	
48	58178954	1	HYDROSTEERING	
49	58079279	1	CABLE	
50	58179271	1	GREEN GLASS	
51	58173118	1	SWITCH	
52	58178958	1	HANDLE	
5.1	58173119	4	PILOT LIGHT 12V	137/07
5.2	58176581	1	SWITCH	137/07
5.3	58173121	1	GLASS	137/07
12.1	58177268	2	CHANGE-OVER SWITCH	137/07
12.2	58173120	1	GLASS	137/07
13.1	58176579	1	GLASS	137/07

SERIAL
START
914976

END
917506

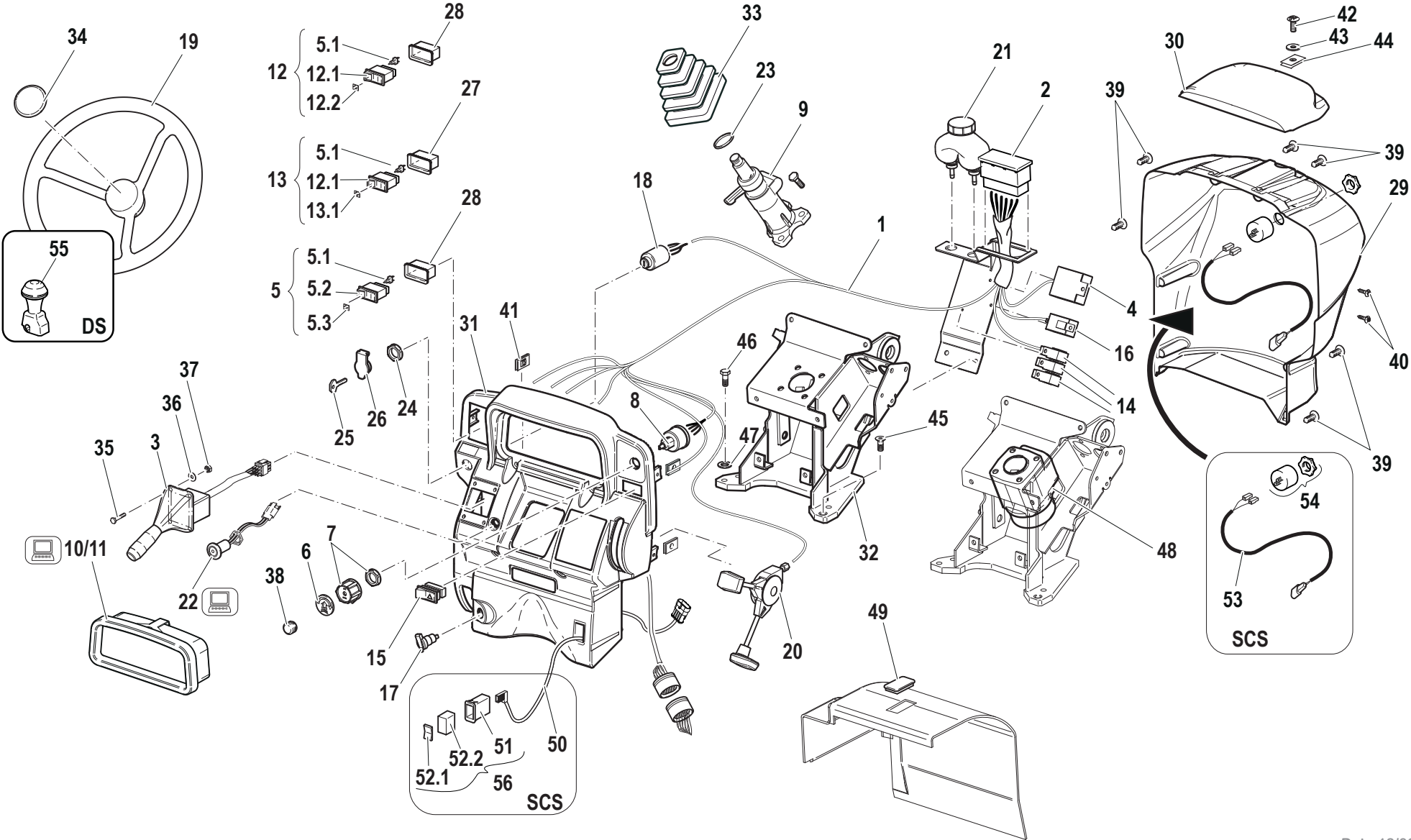
DASHBOARD
Hp 75

CODE REV
B.07.01.L60007_1

DASHBOARD

SERIAL START 917507 END 919904

B.07.01.L60007_2



B.07.01.L60007_2

Pos.	Code	Q.ty	Description	Notes
1	58079935	1	CABLE	
2	58170453	1	FUSE BOX	
3	58173345	1	STEERING COLUMN SWITCH UNIT	
4	58175700	1	SWITCHING CONTROL UNIT	
5	58176580	1	CHANGE-OVER SWITCH	
6	58176826	1	COVER	
7	58176834	1	KNOB	
8	58176853	1	SWITCH	
9	58177087	1	SMALL COLUMN	
10	58177142	1	INSTRUMENT	
11	58177143	1	INSTRUMENT	
12	58177266	1	CHANGE-OVER SWITCH	
13	58176578	1	CHANGE-OVER SWITCH	
14	59900242	3	RELAY	
15	F0825115010	1	PUSH-BUTTON	
16	F0825139000	1	FLASHER	
17	F0825403050	1	SOCKET	
18	F0825500200	1	CHANGE-OVER SWITCH	
19	F0865040000	1	STEERING WHEEL	
20	P238106000000	1	ACCELERATOR	
21	P238176000000	1	TANK	
22	58176593	1	SWITCH	
23	56177086	1	CENTERING	
24	F0825500210	1	RING NUT	
25	F0825500220	1	KEY	
26	F0825400060	1	COVER	
27	58175162	1	CHANGE-OVER SWITCH HOLDER	
28	58170376	2	TERMINAL FOR SWITCH	
29	57376301	1	DASHBOARD	
30	57376302	1	COVER	
31	55276300	1	INSTRUMENT PANEL	
32	59077017	1	SUPPORT	
33	P238105000000	1	BELLOWS	
34	F0865040020	1	PLUG	

SERIAL
START
917507

END
919904

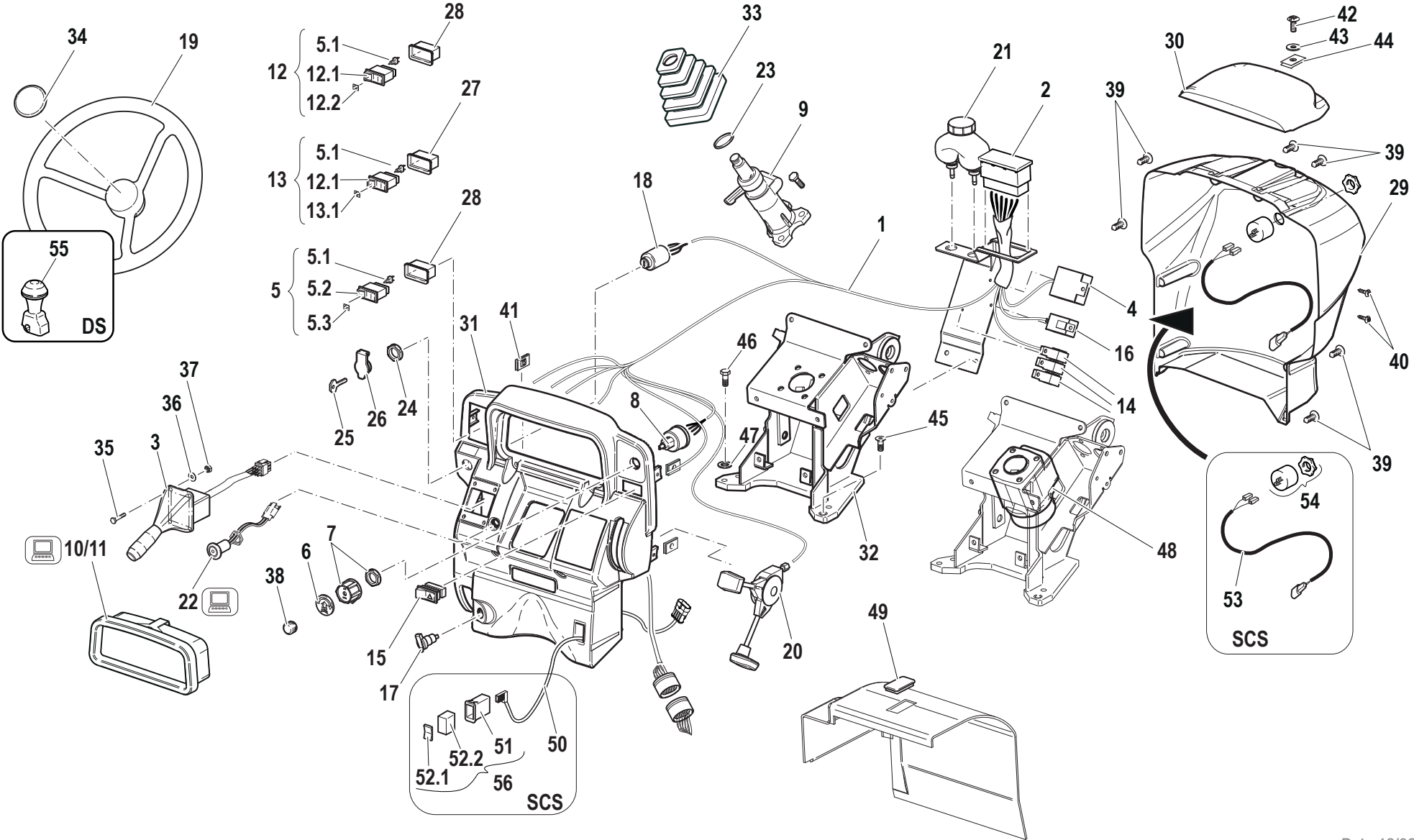
DASHBOARD
Hp 75

CODE REV
B.07.01.L60007_2

DASHBOARD

SERIAL START 917507 END 919904

B.07.01.L60007_2



B.07.01.L60007_2

Pos.	Code	Q.ty	Description	Notes
35	31111084	4	SCREW TE M4X16 UNI 5739 8G	
36	F0843526000	4	WASHER 4,3x12/1,5	
37	31211040	4	NUT M4	
38	58177657	1	PLUG	
39	31510053	6	RIBBED SCREW TC 4,8X32	
40	31510096	4	RIBBED SCREW 4,2X16	
41	58173767	4	SMALL PLATE	
42	58177426	1	SCREW	
43	58177424	1	WASHER	
44	58177425	1	SPRING	
45	31133600	1	SCREW TSVEI M10X25 U5933	
46	31112219	3	SCREW TE M10X25 UNI 5739	
47	F0843755000	3	WASHER 10	
48	58178954	1	HYDROSTEERING	
49	58177604	1	PLUG	
50	580A0127	1	CABLE	97-08
51	581A0739	1	ADAPTER PART	097-08
53	58079278	1	CABLE	
54	58035255	1	BUZZER	
55	58178958	1	HANDLE	
56	59901429	1	INTERRUTTORE COMPLETO SCS	097-08
5.1	58173119	3	PILOT LIGHT 12V	
5.2	58176581	1	SWITCH	
5.3	58173121	1	GLASS	
12.1	58177268	2	CHANGE-OVER SWITCH	
12.2	58173120	1	GLASS	
13.1	58176579	1	GLASS	
52.1	581A0128	1	SWITCH	97-08
52.2	581A0129	1	TASTO 0011.0659	97-08

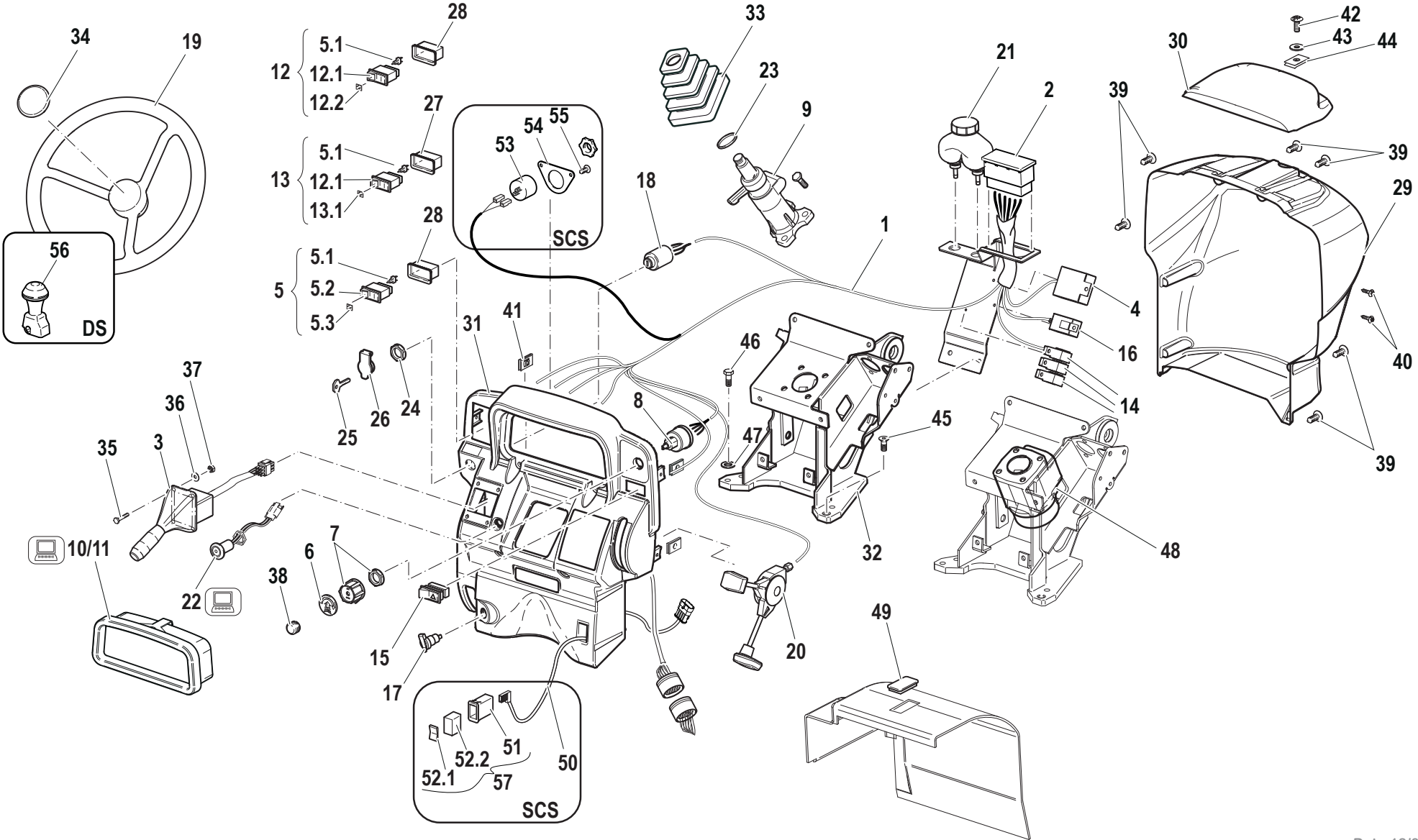
SERIAL
START
917507

END
919904

DASHBOARD
Hp 75

CODE REV
B.07.01.L60007_2

DASHBOARD



Pos.	Code	Q.ty	Description	Notes
1	580A0946	1	CABLE	176-09
2	58170453	1	FUSE BOX	
3	58173345	1	STEERING COLUMN SWITCH UNIT	
4	58175700	1	SWITCHING CONTROL UNIT	
5	58176580	1	CHANGE-OVER SWITCH	
6	58176826	1	COVER	
7	58176834	1	KNOB	
8	58176853	1	SWITCH	
9	58177087	1	SMALL COLUMN	
10	58177142	1	INSTRUMENT	
11	58177143	1	INSTRUMENT	
12	58177266	1	CHANGE-OVER SWITCH	
13	58176578	1	CHANGE-OVER SWITCH	
14	59900242	3	RELAY	
15	F0825115010	1	PUSH-BUTTON	
16	F0825139000	1	FLASHER	
17	F0825403050	1	SOCKET	
18	F0825500200	1	CHANGE-OVER SWITCH	
19	F0865040000	1	STEERING WHEEL	
20	P238106000000	1	ACCELERATOR	
21	P238176000000	1	TANK	
22	58176593	1	SWITCH	
23	56177086	1	CENTERING	
24	F0825500210	1	RING NUT	
25	F0825500220	1	KEY	
26	F0825400060	1	COVER	
27	58175162	1	CHANGE-OVER SWITCH HOLDER	
28	58170376	2	TERMINAL FOR SWITCH	
29	57376301	1	DASHBOARD	
30	57376302	1	COVER	
31	55276300	1	INSTRUMENT PANEL	
32	59077017	1	SUPPORT	
33	P238105000000	1	BELLOWS	
34	F0865040020	1	PLUG	

SERIAL
START
919905

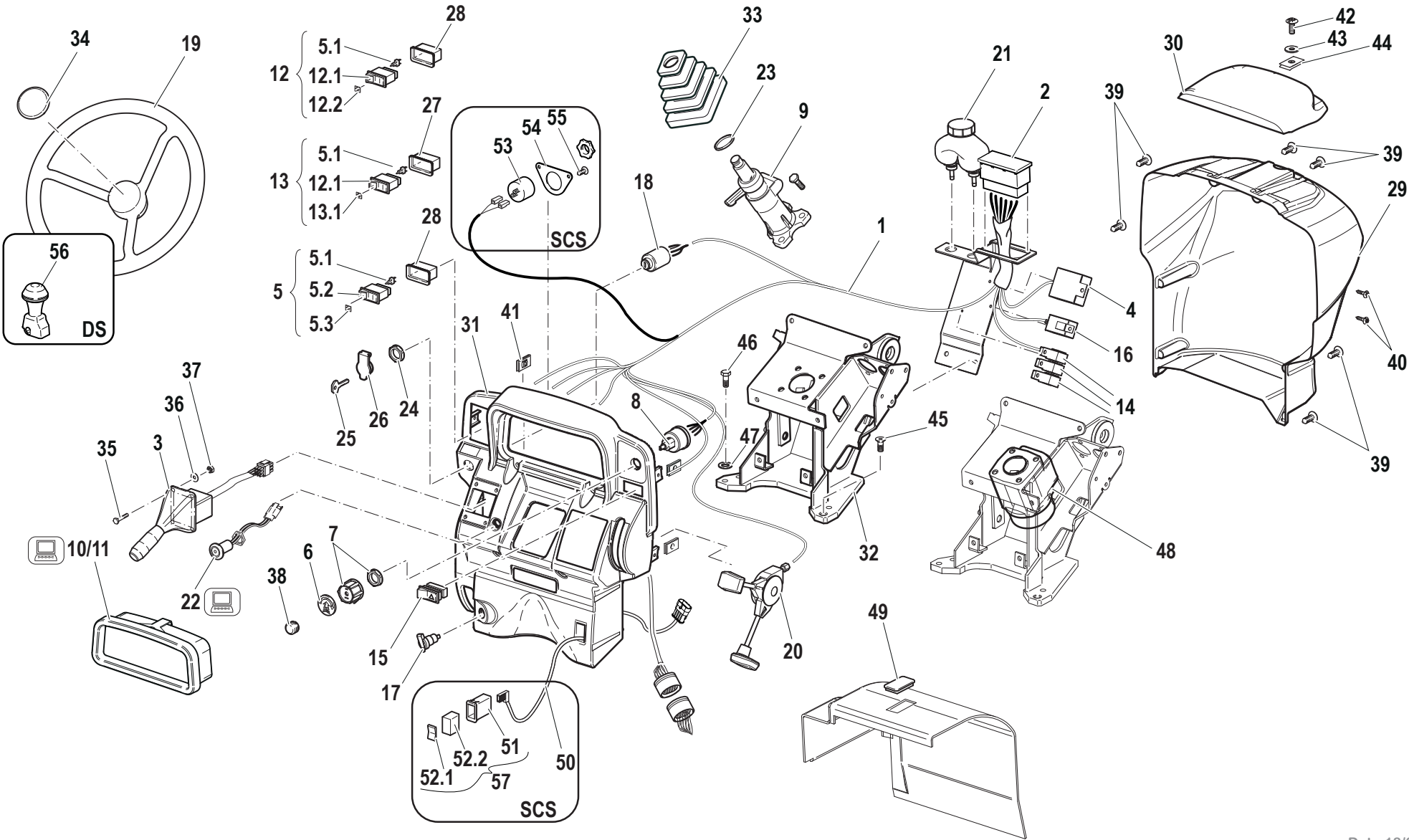
DASHBOARD

Hp 75

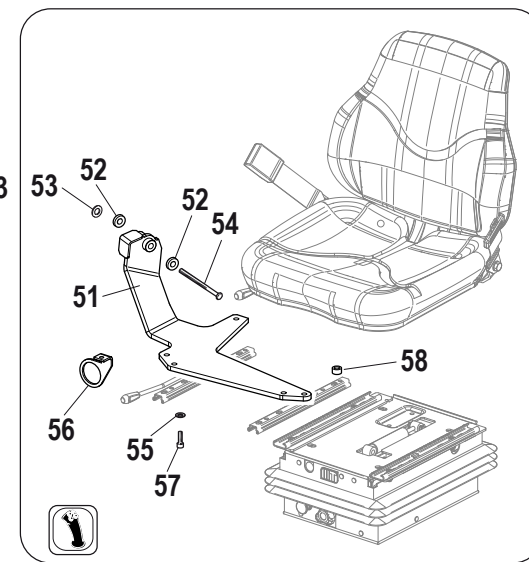
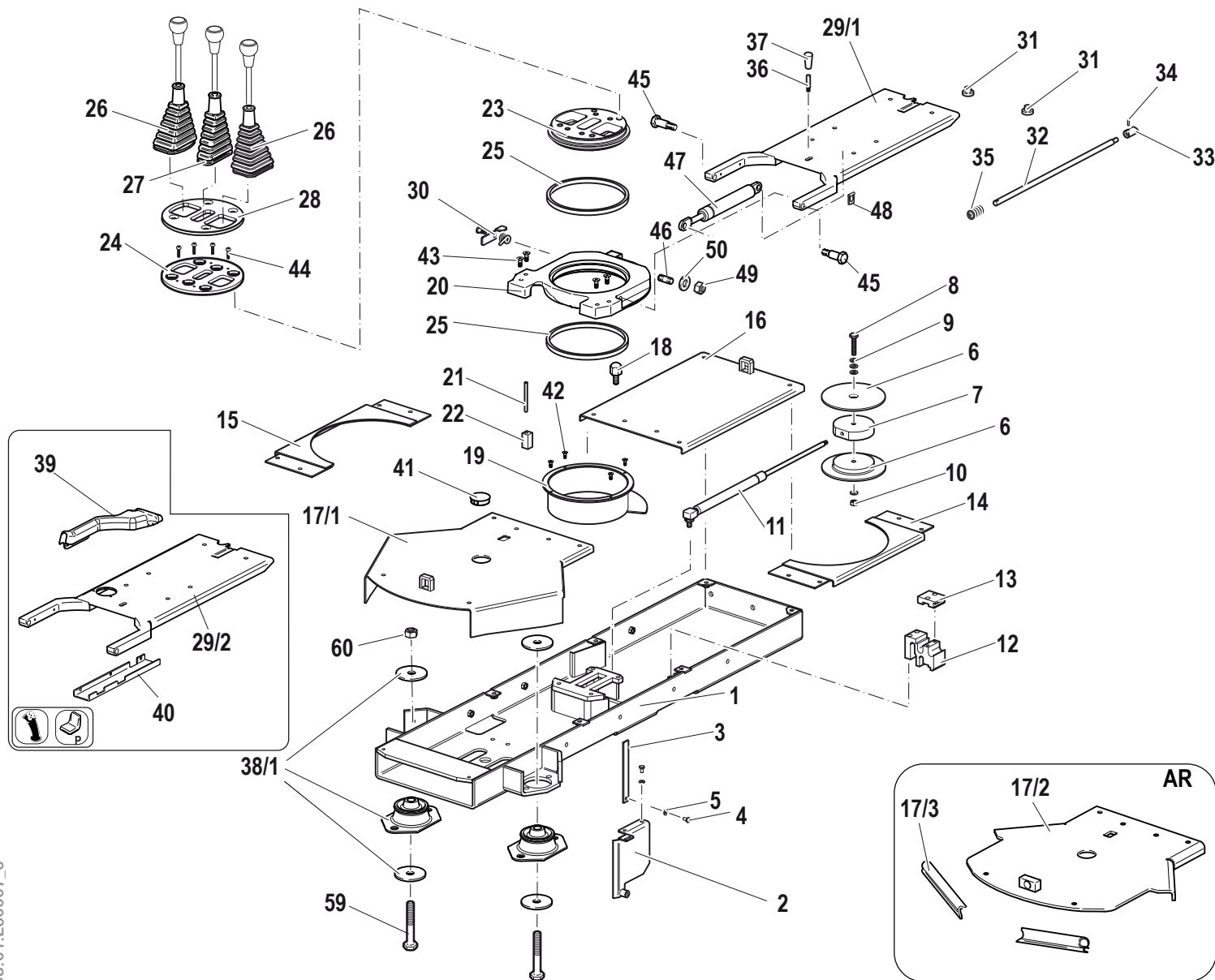
CODE REV


B.07.01.L60007_3


DASHBOARD

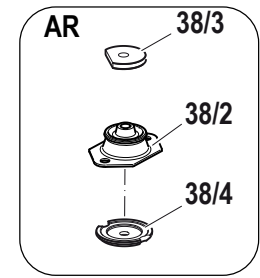
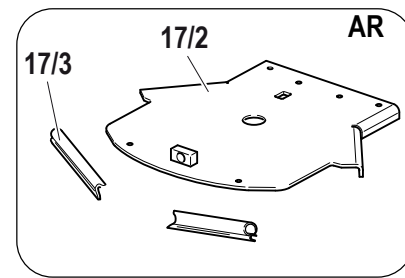


Pos.	Code	Q.ty	Description	Notes
35	31111084	4	SCREW TE M4X16 UNI 5739 8G	
36	F0843526000	4	WASHER 4,3x12/1,5	
37	31211040	4	NUT M4	
38	58177657	1	PLUG	
39	31510053	6	RIBBED SCREW TC 4,8X32	
40	31510096	4	RIBBED SCREW 4,2X16	
41	58173767	4	SMALL PLATE	
42	58177426	1	SCREW	
43	58177424	1	WASHER	
44	58177425	1	SPRING	
45	31133600	1	SCREW TSVEI M10X25 U5933	
46	31112219	3	SCREW TE M10X25 UNI 5739	
47	F0843755000	3	WASHER 10	
48	58178954	1	HYDROSTEERING	
49	58177604	1	PLUG	
50	580A0127	1	CABLE	
51	581A0739	1	ADAPTER PART	
53	58035255	1	BUZZER	
54	561A0948	1	FIXING PLATE	
55	F0861831000	2	RIBBED SCREW 4,8X13 UNI 6950	
56	58178958	1	HANDLE	
57	59901429	1	INTERRUTTORE COMPLETO SCS	
5.1	58173119	3	PILOT LIGHT 12V	
5.2	58176581	1	SWITCH	
5.3	58173121	1	GLASS	
12.1	58177268	2	CHANGE-OVER SWITCH	
12.2	58173120	1	GLASS	
13.1	58176579	1	GLASS	
52.1	581A0129	1	TASTO 0011.0659	
52.2	581A0128	1	SWITCH	




 APPLICAZIONE JOYSTICK
 JOYSTICK EQUIPMENT
 JOYSTICK AUSRUESTUNG
 EQUIPEMENT JOYSTICK
 DOTACION JOYSTICK


 APPLICAZIONE SEDILE PNEUMATICO
 PNEUMATIC SEAT EQUIPMENT
 LUFTFEDERUNGSITZ AUSRUESTUNG
 EQUIPEMENT SIEGE PNEUMATIQUE
 DOTACION ASIENTO NEUMATICO



Pos.	Code	Q.ty	Description	Notes
1	59076467	1	BOX	
2	59077410	1	BRACKET	
3	56176472	1	SMALL PLATE	
4	31112082	3	SCREW TE M6X12 UNI 5739 8G	
5	F0843570000	3	WASHER 6	
6	57376149	2	PULLEY	
7	57374491	1	PULLEY	
8	31112160	1	SCREW TE M8X55 UNI 5737 8G	
9	31411084	2	WASHER 8,4x17	
10	31241081	1	HEXAGON SELFLOCK NUT	
11	58174555	1	SPRING	
12	53076150	1	SMALL BLOCK	
13	56176151	1	COVER	
14	59076468V	1	COVER	
15	59076469V	1	COVER	
16	59076470V	1	REAR COVER	
18	56177976	1	SCREW	
19	59076139	1	CHAIN PULLEY	
20	51176129V	1	TURRET	
21	56177419	1	PIN	
22	56177420	1	SMALL BLOCK	
23	51176128	1	SUPPORT	
24	56176130	1	FLANGE	
25	57376131	2	BEARING	
26	55176091	2	BELLOWS	
27	55176090	1	BELLOWS	
28	57377073	1	COVER	
30	59071241	1	STOP PLATE	
31	F0822537050	2	BUFFER	
32	56174463	1	ROD	
33	56374460	1	LOCKING BOLT	
34	34213018	1	ROLL PIN	
35	58070390	1	SEAT SPRINGS	
36	56174461	1	PIN	

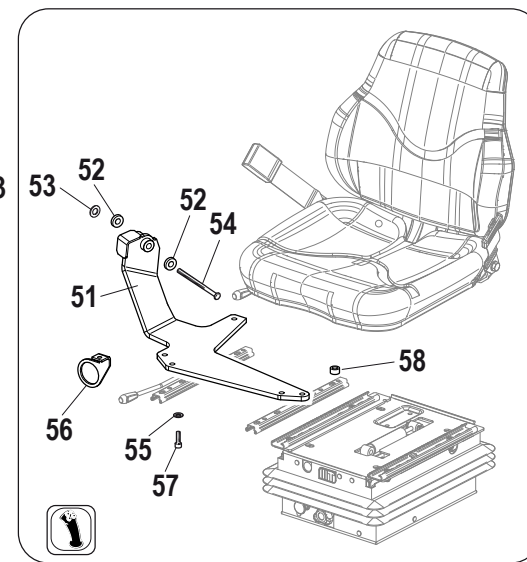
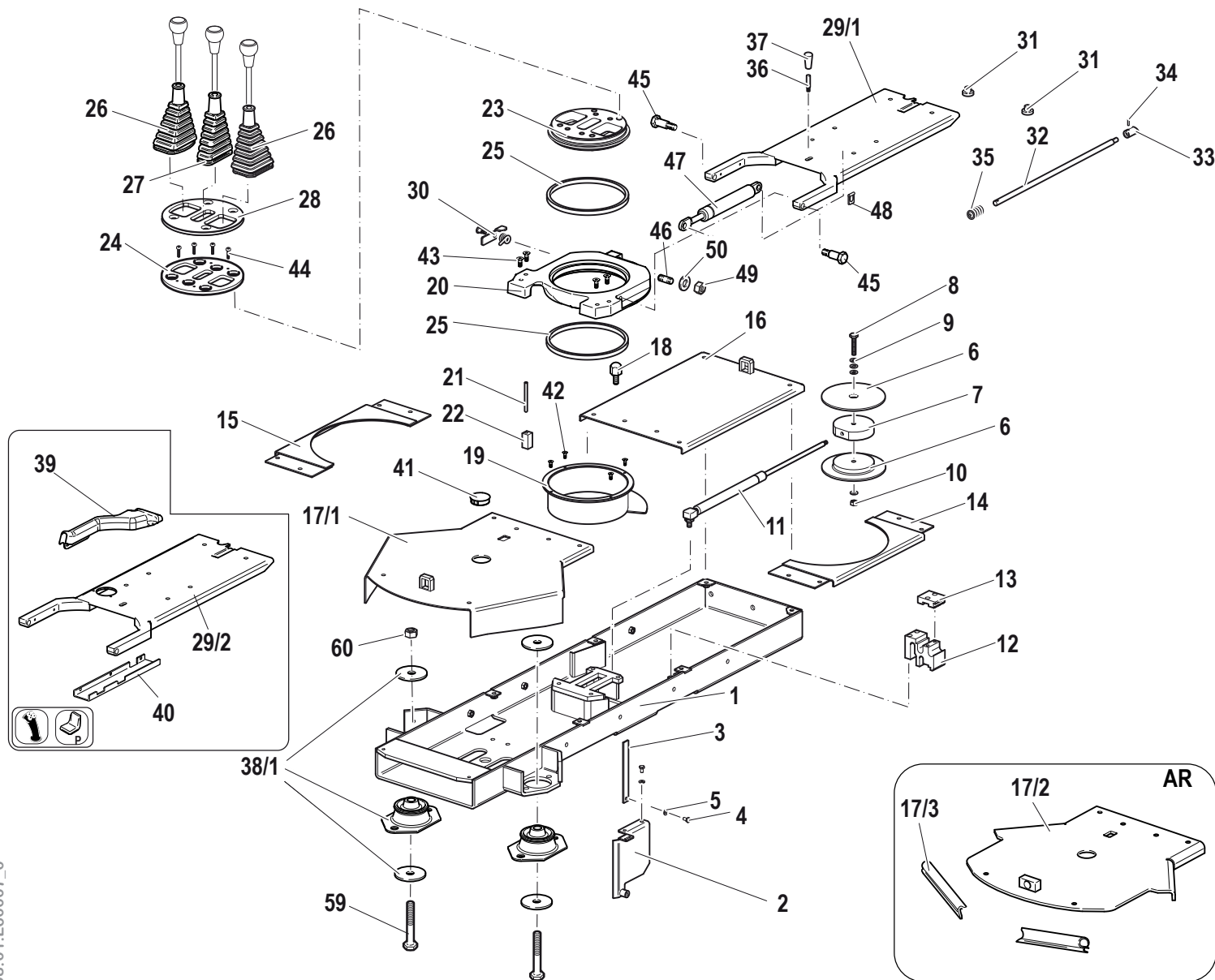
SERIAL


SEAT SUPPORT / GEAR LEVERS COVER


Hp 75

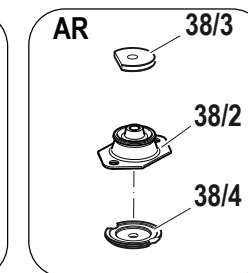
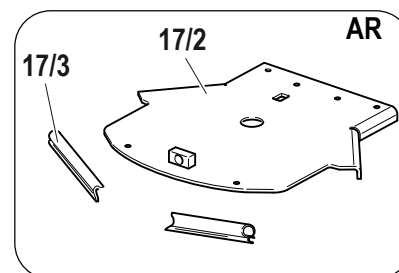
CODE REV

B.08.01.L60007_0

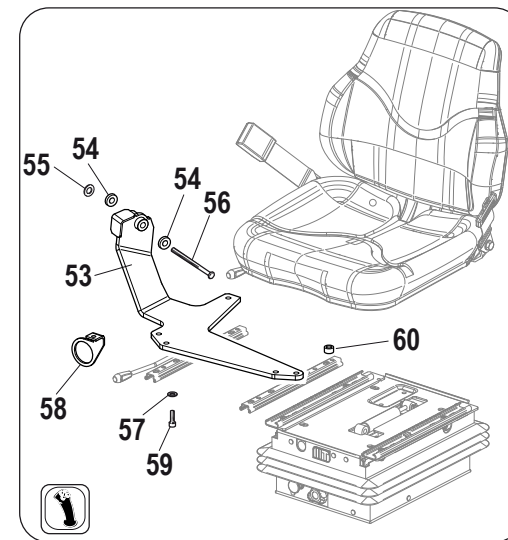
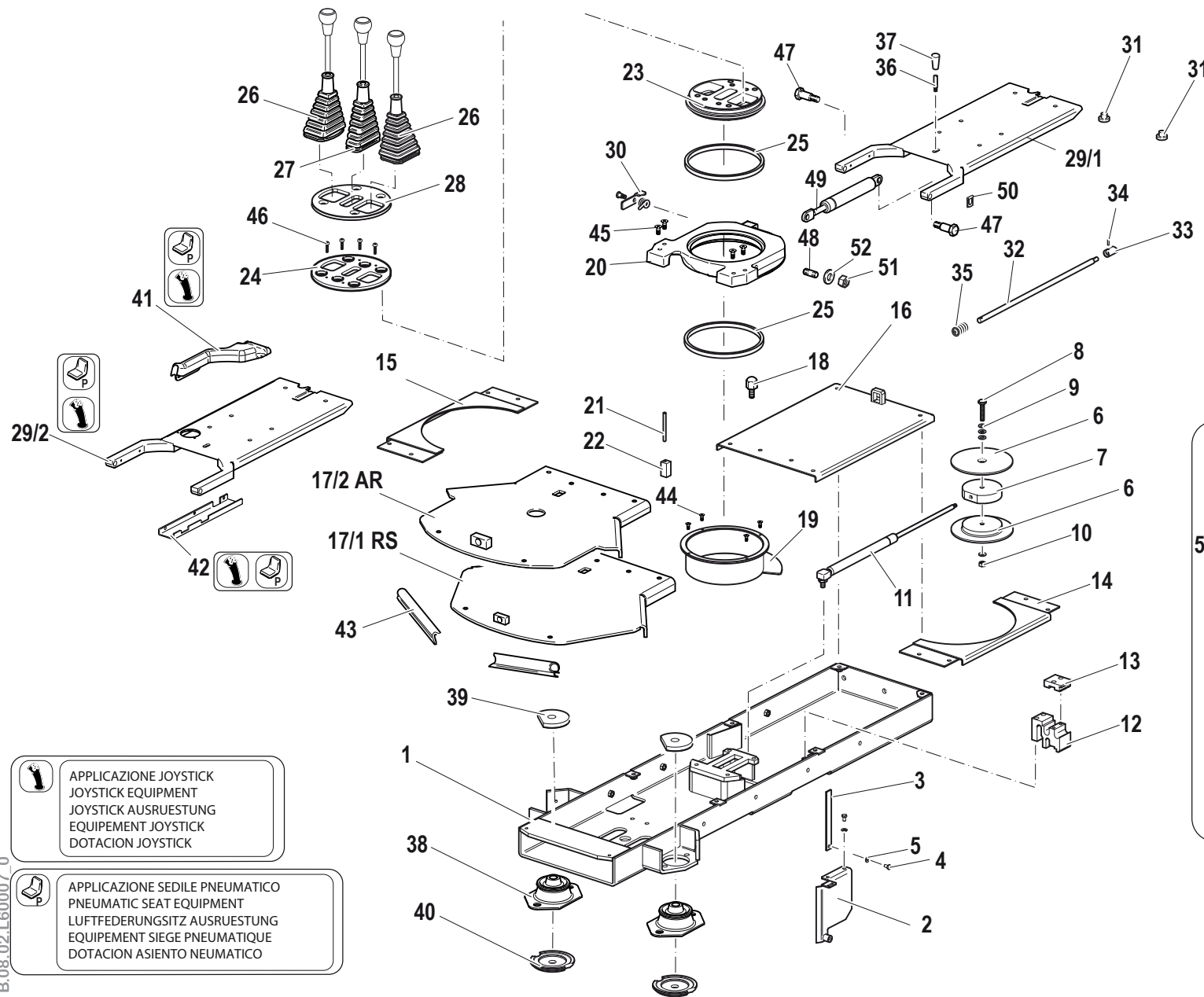




 APPLICAZIONE JOYSTICK
 JOYSTICK EQUIPMENT
 JOYSTICK AUSRUESTUNG
 EQUIPEMENT JOYSTICK
 DOTACION JOYSTICK



 APPLICAZIONE SEDILE PNEUMATICO
 PNEUMATIC SEAT EQUIPMENT
 LUFTFEDERUNGSSITZ AUSRUESTUNG
 EQUIPEMENT SIEGE PNEUMATIQUE
 DOTACION ASIENTO NEUMATICO



Pos.	Code	Q.ty	Description	Notes
37	F0837521000	1	GRIP	
39	57377408	1	COVER	
40	59077747	1	CABLE BARRIER RAIL	
41	58177547	1	PLUG	
42	31132440	4	SCREW TSVEI M4X10 UNI 5933	
43	F0863464010	4	SCREW M10X50 UNI 5933	
44	F0861928050	4	SCREW M5X12 ISO 7380	
45	56274487	2	SPECIAL SCREW	
46	F0838131000	1	STUD BOLT	
47	58176235	1	SPRING	
48	58170436	1	CLIP	
49	31241081	1	HEXAGON SELFLOCK NUT	
50	31411084	1	WASHER 8,4x17	
51	59077752	1	RETAINER	
52	58177503	2	WASHER	
53	31241101	1	SELFLOCK NUT M10	
54	F0863566000	1	SCREW M10x70 UNI 5737	
55	31411105	2	WASHER 10,5x21	
56	56179891	1	FIXING BRACKET	
57	31152081	4	SCREW TCEI M8X20 UNI 5931	
58	56170364	1	SPACER	
59	31112294	2	SCREW TE M12X85 UNI 5737	
60	31221120	2	NUT M12	
17/1	59076471V	1	FRONT COVER	
17/2	59077384V	1	FRONT COVER	
17/3	P000000260007	1	GASKET	
29/1	59076132V	1	SEAT SUPPORT	
29/2	59077402V	1	SEAT SUPPORT	
38/1	58176233	2	SILENT-BLOCK	
38/2	58177749	4	SILENT-BLOCK	
38/3	56177223	4	STOP	
38/4	56177222	2	STOP	




 APPLICAZIONE JOYSTICK
 JOYSTICK EQUIPMENT
 JOYSTICK AUSRUESTUNG
 EQUIPEMENT JOYSTICK
 DOTACION JOYSTICK


 APPLICAZIONE SEDILE PNEUMATICO
 PNEUMATIC SEAT EQUIPMENT
 LUFTFEDERUNGSITZ AUSRUESTUNG
 EQUIPEMENT SIEGE PNEUMATIQUE
 DOTACION ASIENTO PNEUMATICO

Pos.	Code	Q.ty	Description	Notes
1	59076467	1	BOX	
2	59077410	1	BRACKET	
3	56176472	1	SMALL PLATE	
4	31112082	3	SCREW TE M6X12 UNI 5739 8G	
5	F0843570000	3	WASHER 6	
6	57376149	2	PULLEY	
7	57374491	1	PULLEY	
8	31112160	1	SCREW TE M8X55 UNI 5737 8G	
9	31411084	2	WASHER 8,4x17	
10	F0814585000	1	SELFLOCK NUT	
11	58174555	1	SPRING	
12	53076150	1	SMALL BLOCK	
13	56176151	1	COVER	
14	59076468V	1	COVER	
15	59076469V	1	COVER	
16	59076470V	1	REAR COVER	
18	56177976	1	SCREW	
19	59076139	1	CHAIN PULLEY	
20	51176129V	1	TURRET	
21	56177419	1	PIN	
22	56177420	1	SMALL BLOCK	
23	51176128	1	SUPPORT	
24	56176130	1	FLANGE	
25	57376131	2	BEARING	
26	55176091	2	BELLOWS	
27	55176090	1	BELLOWS	
28	57377073	1	COVER	
30	59071241	1	STOP PLATE	
31	F0822537050	2	BUFFER	
32	56174463	1	ROD	
33	56374460	1	LOCKING BOLT	
34	34213018	1	ROLL PIN	
35	58070390	1	SEAT SPRINGS	
36	56174461	1	PIN	

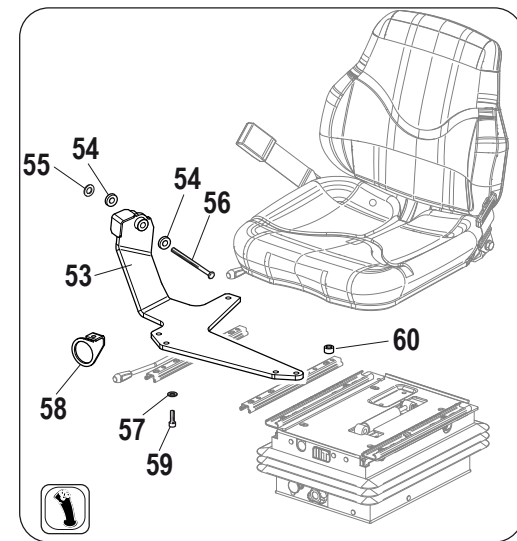
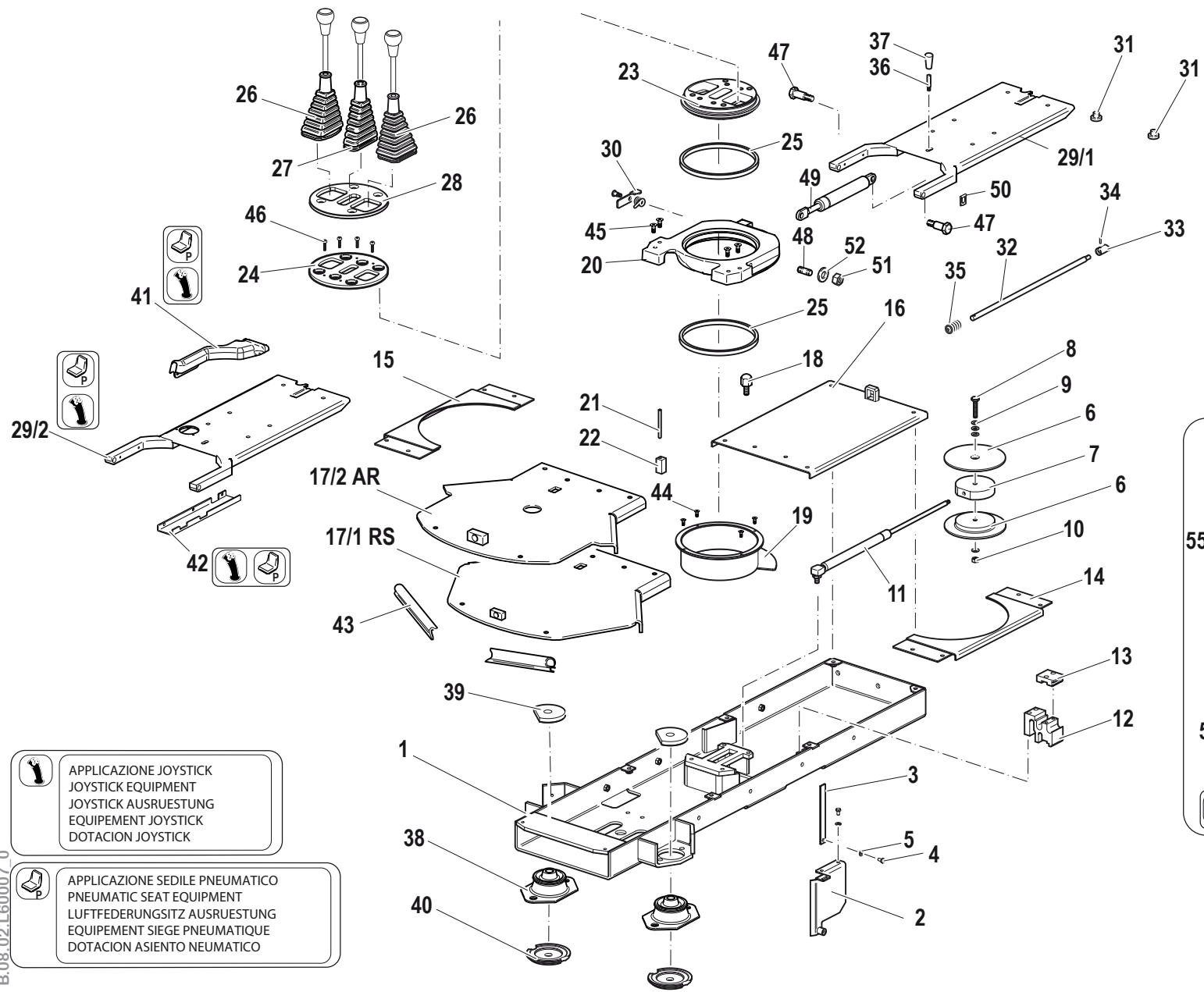
SERIAL

SEAT SUPPORT / GEAR LEVERS COVER

Hp 75

CODE REV

B.08.02.L60007_0



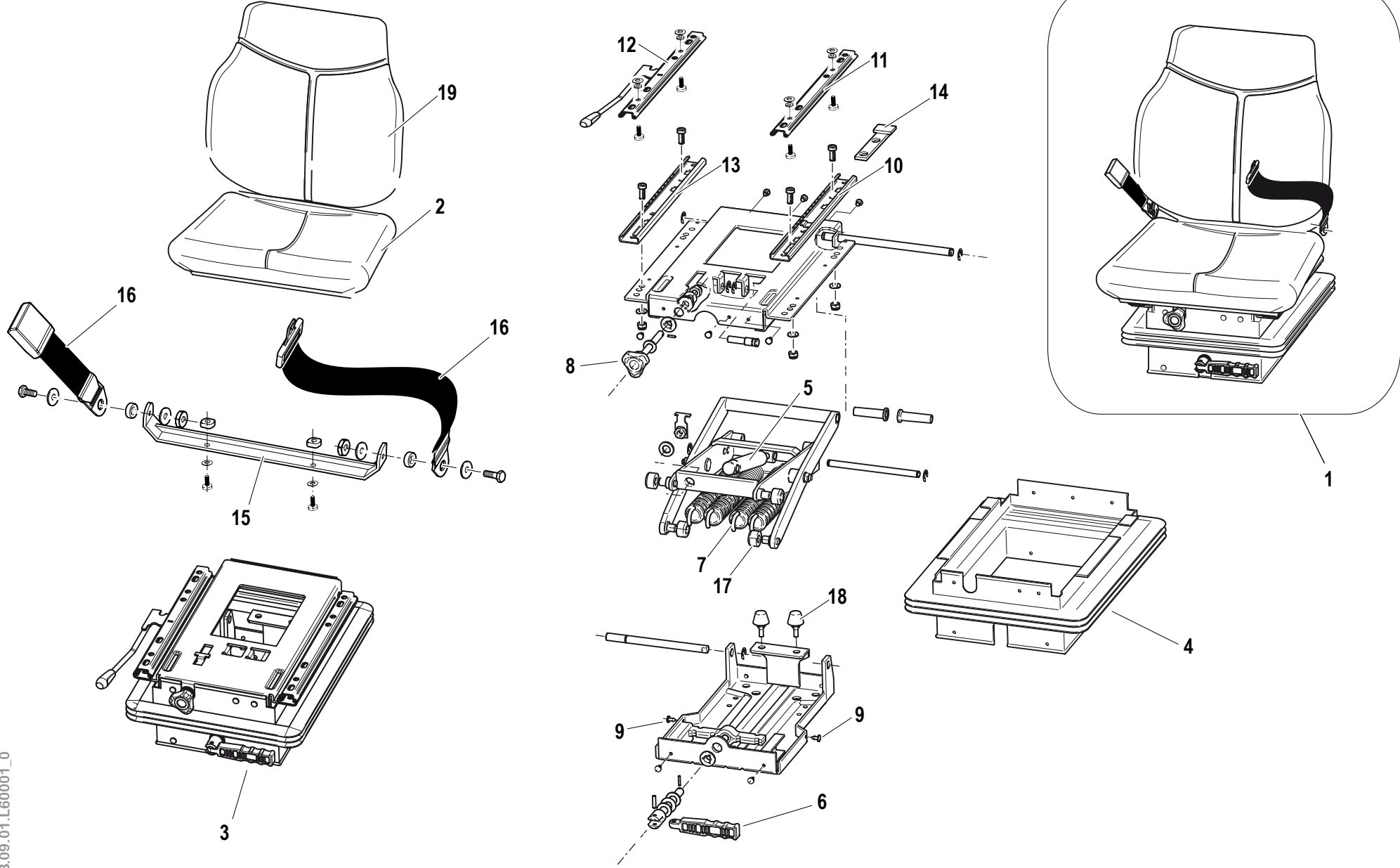
APPLICAZIONE JOYSTICK
 JOYSTICK EQUIPMENT
 JOYSTICK AUSRUESTUNG
 EQUIPEMENT JOYSTICK
 DOTACION JOYSTICK

APPLICAZIONE SEDILE PNEUMATICO
 PNEUMATIC SEAT EQUIPMENT
 LUFTFEDERUNGSITZ AUSRUESTUNG
 EQUIPEMENT SIEGE PNEUMATIQUE
 DOTACION ASIENTO PNEUMATICO

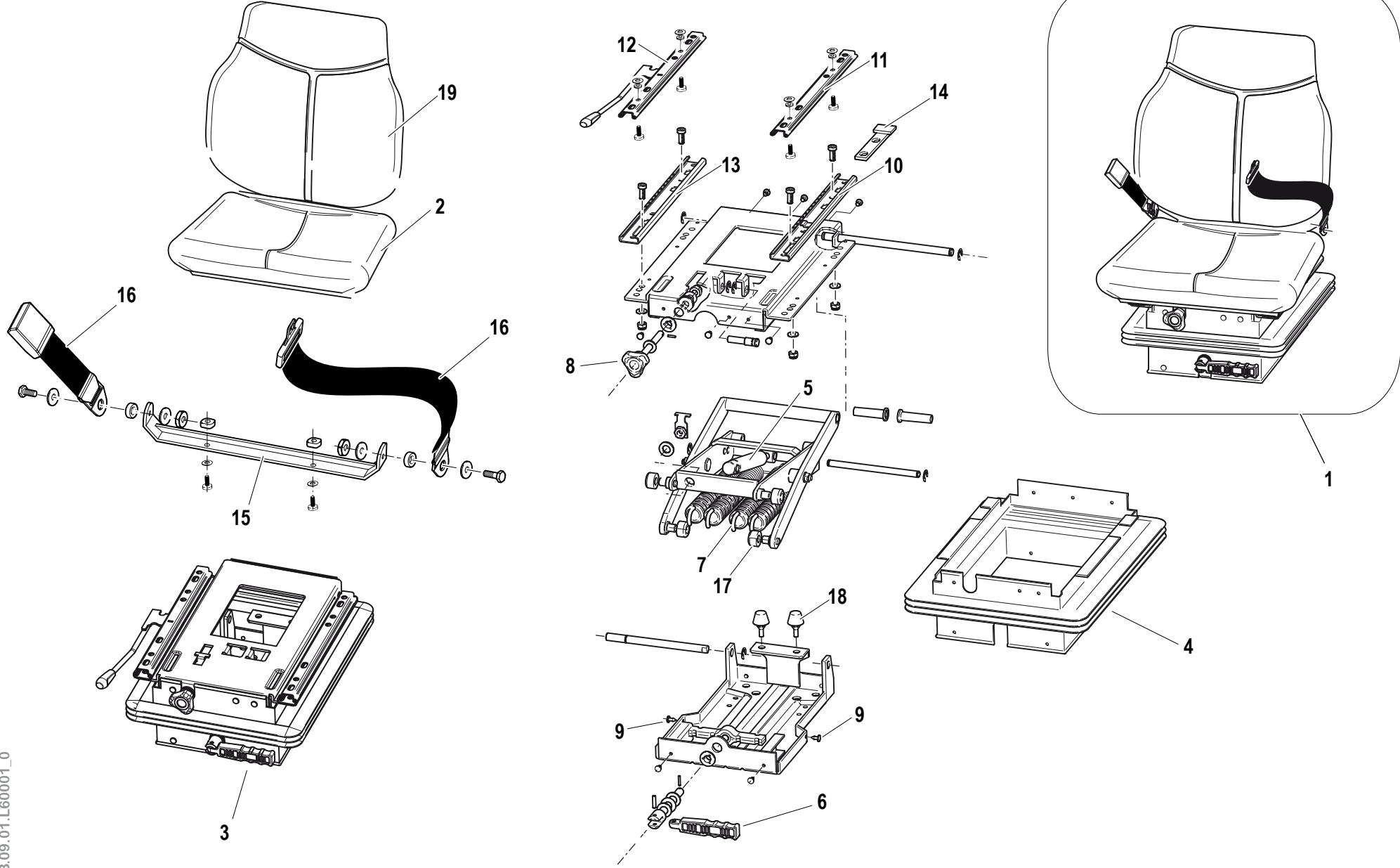
B.08.02.L60007_0

Pos.	Code	Q.ty	Description	Notes
37	F0837521000	1	GRIP	
38	58177749	2	SILENT-BLOCK	
39	56177224	2	STOP	
40	56177223	2	STOP	
41	57377408	1	COVER	
42	59077747	1	CABLE BARRIER RAIL	
43	P000000260007	0.78	GASKET	
44	31132440	4	SCREW TSVEI M4X10 UNI 5933	
45	F0863464010	4	SCREW M10X50 UNI 5933	
46	F0861928050	4	SCREW M5X12 ISO 7380	
47	56274487	2	SPECIAL SCREW	
48	F0838131000	1	STUD BOLT	
49	58176235	1	SPRING	
50	58170436	1	CLIP	
51	31241081	1	HEXAGON SELFLOCK NUT	
52	31411084	1	WASHER 8,4x17	
53	59077752	1	RETAINER	
54	58177503	2	WASHER	
55	31241101	1	SELFLOCK NUT M10	
56	F0863566000	1	SCREW M10x70 UNI 5737	
57	31411105	2	WASHER 10,5x21	
58	56179891	1	FIXING BRACKET	
59	31152081	4	SCREW TCEI M8X20 UNI 5931	
60	56170364	1	SPACER	
17/1	59077248V	1	FRONT COVER	
17/2	59077384V	1	FRONT COVER	
29/1	59076132V	1	SEAT SUPPORT	
29/2	59077402V	1	SEAT SUPPORT	

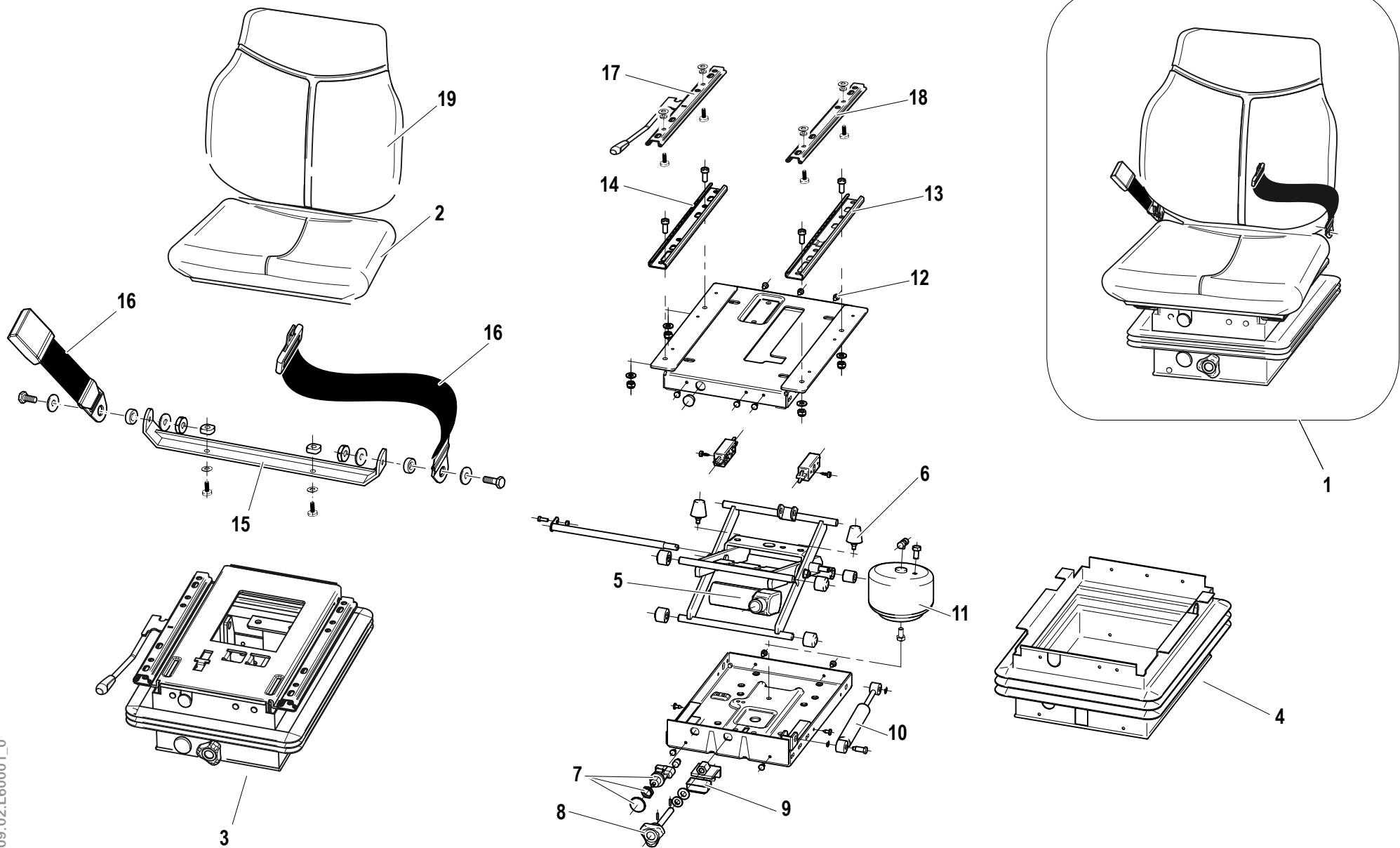
SEAT (STANDARD) (SC74 M91)



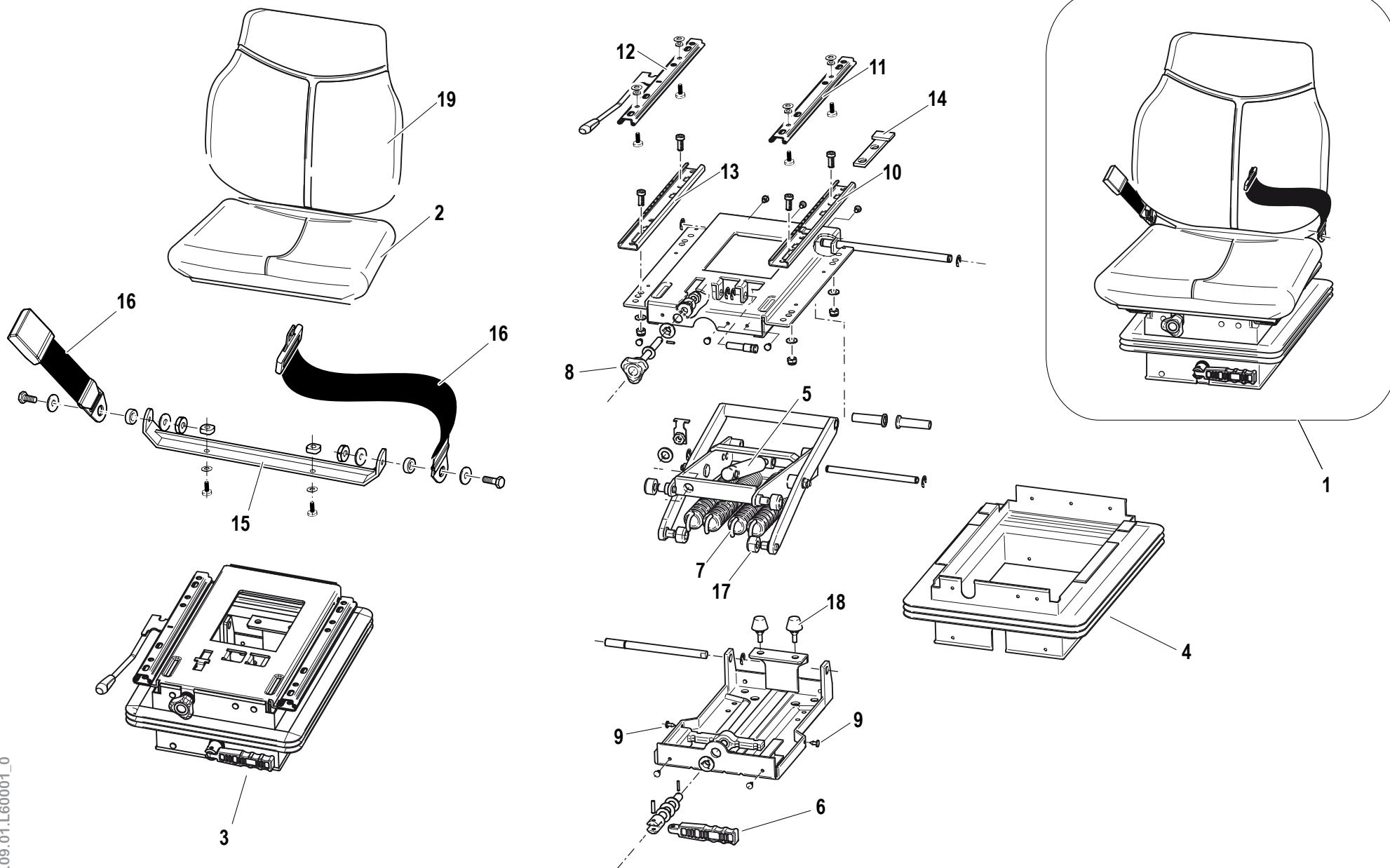
Pos.	Code	Q.ty	Description	Notes
1	58177376	1	SEAT	
2	59901052	1	SEAT	
3	59901049	1	SUSPENSION	
4	59900159	1	BELLOWS	
5	59900156	1	SHOCKS ABSORBER	
6	59900155	1	LEVER	
7	59900154	4	SPRING	
8	59900153	1	KNOB	
9	59900158	18	SCREW	
10	59900157	1	LOWER GUIDE	
11	59900160	1	GUIDE	
12	59900161	1	GUIDE	
13	59900152	1	LOWER GUIDE	
14	59071241	1	STOP PLATE	
15	56177660	1	BRACKET	
16	58192377	1	SAFETY BELT	
17	59901100	1	BUSHING	
18	59901101	1	STOP BUFFER	
19	59901053	1	BACKREST	



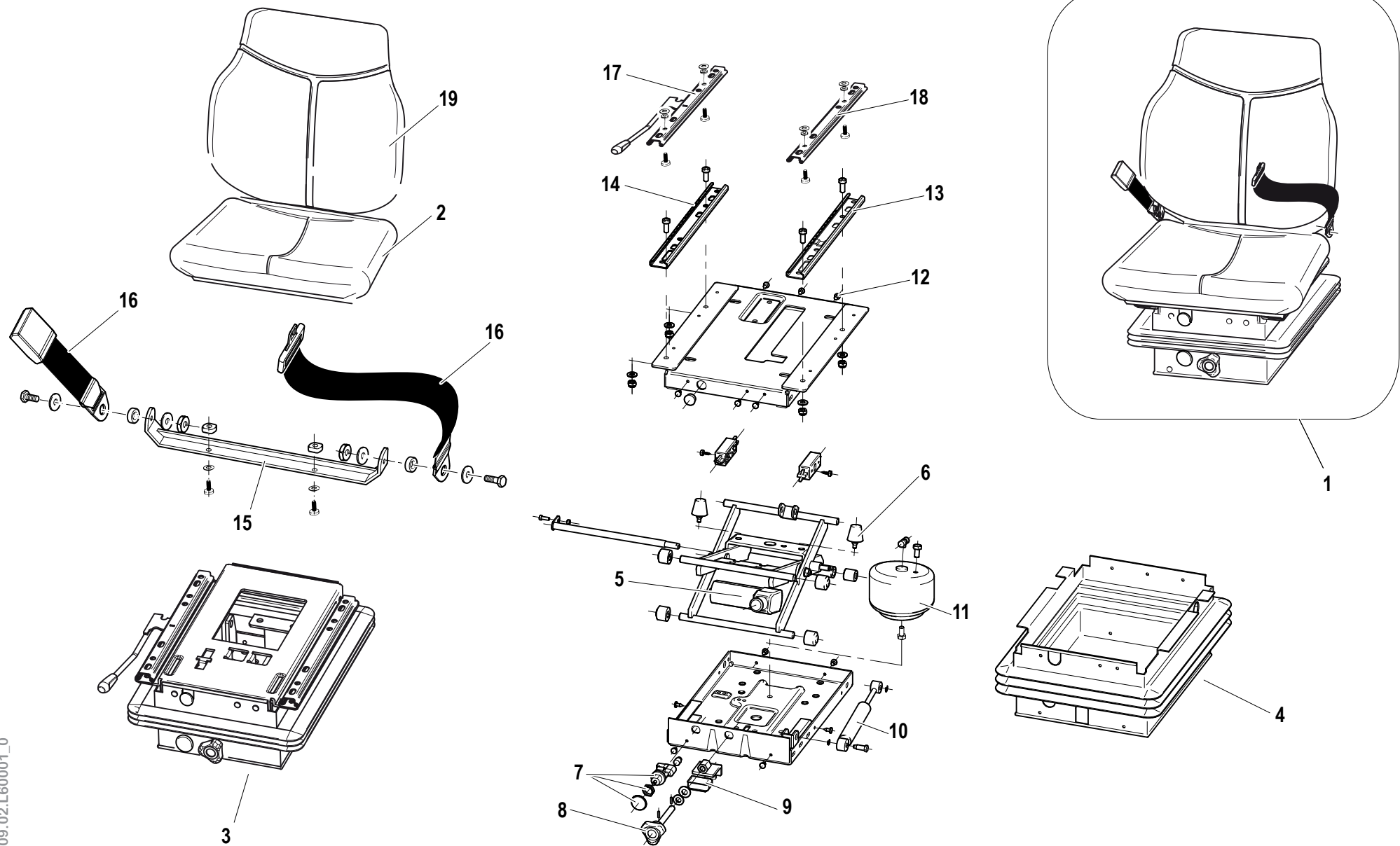
Pos.	Code	Q.ty	Description	Notes
1	58177376	1	SEAT	
2	59901052	1	SEAT	
3	59901049	1	SUSPENSION	
4	59900159	1	BELLOWS	
5	59900156	1	SHOCKS ABSORBER	
6	59900155	1	LEVER	
7	59900154	4	SPRING	
8	59900153	1	KNOB	
9	59900158	18	SCREW	
10	59900157	1	LOWER GUIDE	
11	59900160	1	GUIDE	
12	59900161	1	GUIDE	
13	59900152	1	LOWER GUIDE	
14	59071241	1	STOP PLATE	
15	56177660	1	BRACKET	
16	58192377	1	SAFETY BELT	
17	59901100	1	BUSHING	
18	59901101	1	STOP BUFFER	
19	59901053	1	BACKREST	



Pos.	Code	Q.ty	Description	Notes
1	58177377	1	SEAT	
2	59901052	1	SEAT	
3	59901056	1	SOSP.M97 C/REG.ALT. M5067.014	
4	59901102	1	BELLOWS	
5	59901103	1	KIT	
6	59901104	3	TAMPONE FINE CORSA (2011-320)	
7	59901105	1	SWITCH	
8	59901106	1	KNOB	
9	59901107	1	TAMPONE (2011-026)	
10	59901108	1	SHOCKS ABSORBER	
11	59901109	1	SPRING	
12	59900158	10	SCREW	
13	59900157	1	LOWER GUIDE	
14	59900152	1	LOWER GUIDE	
15	56177660	1	BRACKET	
16	58192377	1	SAFETY BELT	
17	59900161	1	GUIDE	
18	59900160	1	GUIDE	
19	59901053	1	BACKREST	

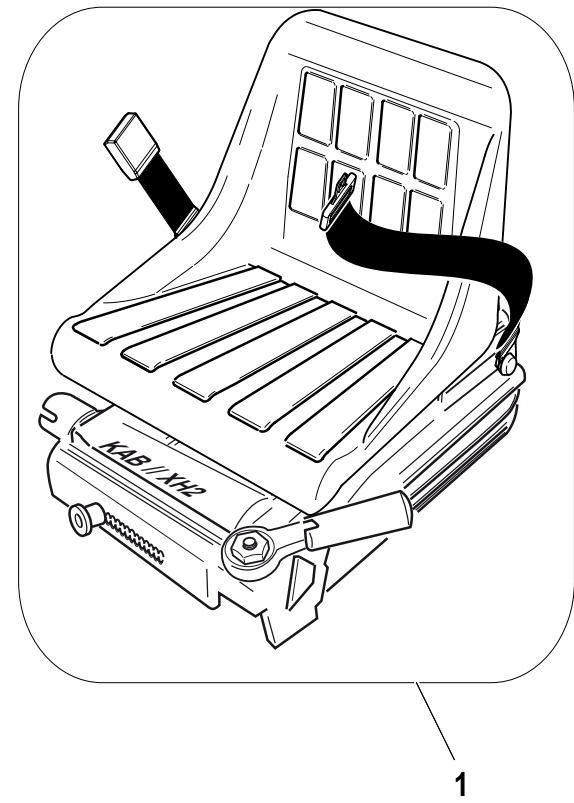
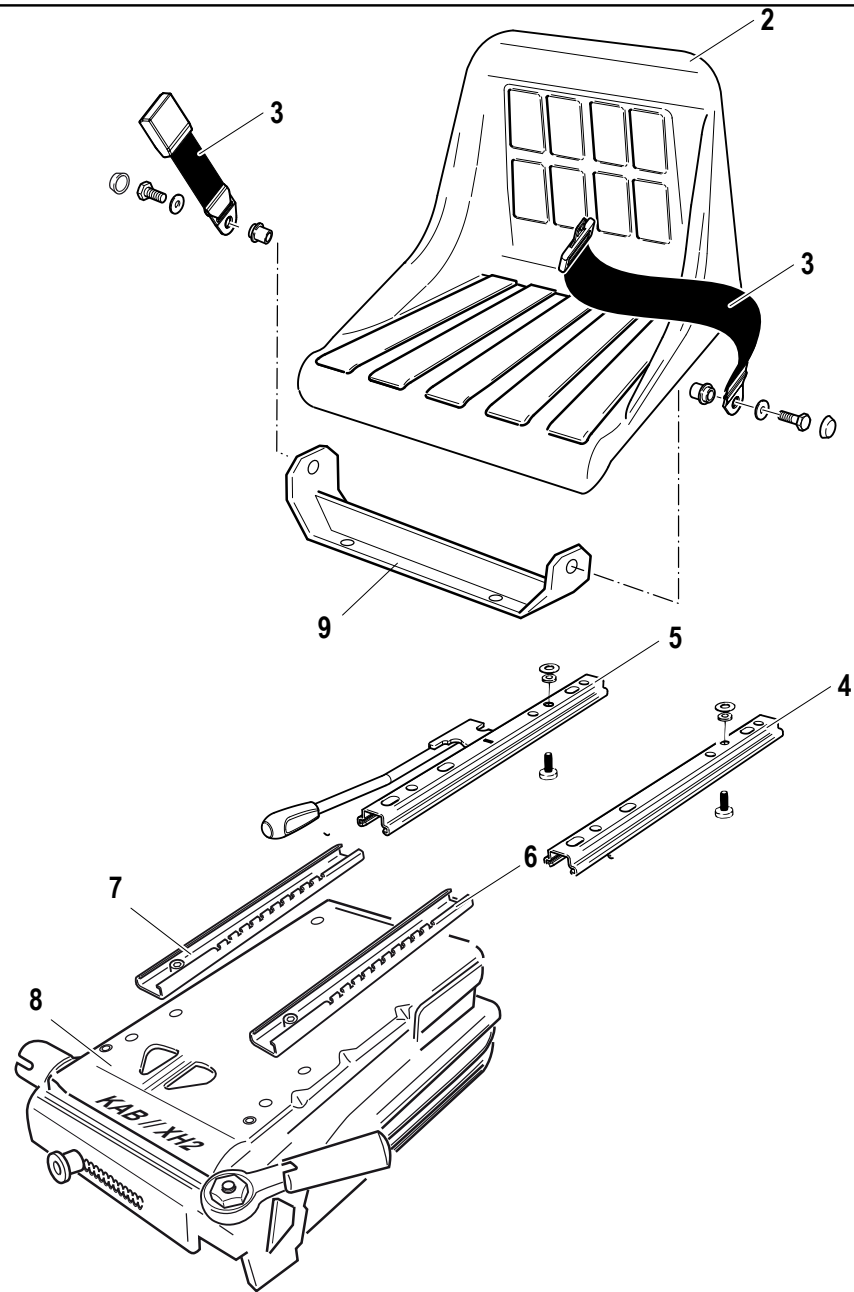


Pos.	Code	Q.ty	Description	Notes
1	58177378	1	SEAT	
2	59901054	1	SEAT	
3	59901049	1	SUSPENSION	
4	59900159	1	BELLOWS	
5	59900156	1	SHOCKS ABSORBER	
6	59900155	1	LEVER	
7	59900154	4	SPRING	
8	59900153	1	KNOB	
9	59900158	18	SCREW	
10	59900157	1	LOWER GUIDE	
11	59900160	1	GUIDE	
12	59900161	1	GUIDE	
13	59900152	1	LOWER GUIDE	
14	59071241	1	STOP PLATE	
15	56177660	1	BRACKET	
16	58192377	1	SAFETY BELT	
17	59901100	4	BUSHING	
18	59901101	2	STOP BUFFER	
19	59901055	1	BACKREST	

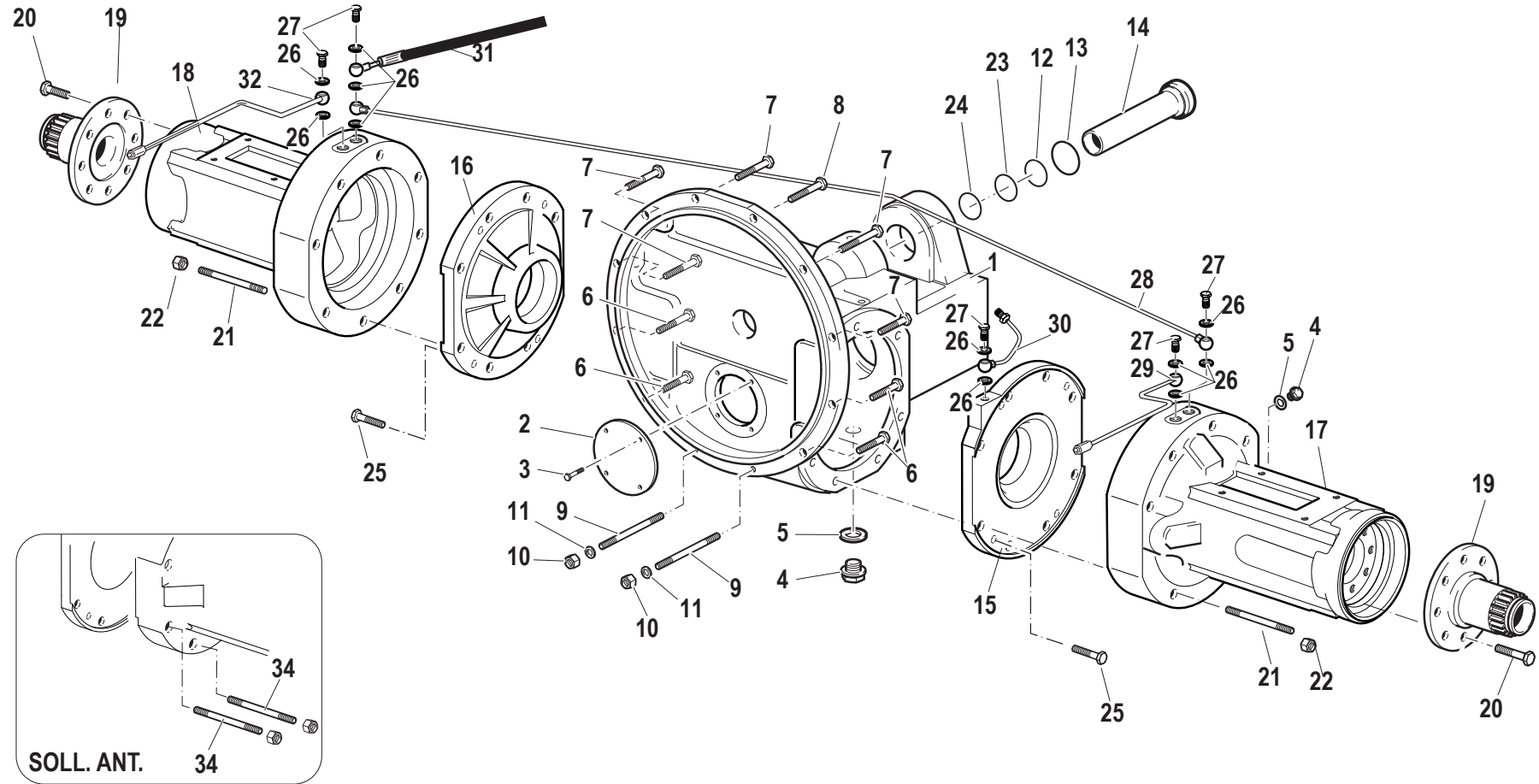


Pos.	Code	Q.ty	Description	Notes
1	58177379	1	SEAT	
2	59901054	1	SEAT	
3	59901056	1	SOSP.M97 C/REG.ALT. M5067.014	
4	59901102	1	BELLOWS	
5	59901103	1	KIT	
6	59901104	2	TAMPONE FINE CORSA (2011-320)	
7	59901105	1	SWITCH	
8	59901106	1	KNOB	
9	59901107	1	TAMPONE (2011-026)	
10	59901108	1	SHOCKS ABSORBER	
11	59901109	1	SPRING	
12	59900158	10	SCREW	
13	59900157	1	LOWER GUIDE	
14	59900152	1	LOWER GUIDE	
15	56177660	1	BRACKET	
16	58192377	1	SAFETY BELT	
17	59900161	1	GUIDE	
18	59900160	1	GUIDE	
19	59901055	1	BACKREST	

SEAT (KAB P1)



Pos.	Code	Q.ty	Description	Notes
1	59900199	1	SEAT	
2	F0150036216	1	SEAT CAVITY	
3	58192377	1	SAFETY BELT	
4	59900160	1	GUIDE	
5	59900161	1	GUIDE	
6	59900157	1	LOWER GUIDE	
7	59900152	1	LOWER GUIDE	
8	F0150036219	1	SPRING	
9	56178591	1	BRACKET	



Pos.	Code	Q.ty	Description	Notes
1	51176126	1	FRONT AXLE HOUSING	
2	51176125	1	FRONT COVER	
3	31112090	4	SCREW TE M6X16 UNI 5739 8G	
4	56370081	2	PLUG	
5	F0844273090	2	GASKET 22X28X1,5 CU 99,5	
6	31112211	4	SCREW TE M10X30 UNI 5739	
7	31112212	5	SCREW TE M10X35 UNI 5739	
8	31112213	1	SCREW TE M10X40 UNI 5739	
9	F0838475000	2	STUD BOLT M10X90 UNI 5911 8.8	
10	F0814632000	2	NUT M10	
11	F0843755000	12	WASHER 10	
12	F0803259000	1	O-RING	
13	F0803209070	1	O-RING	
14	59070012	1	PIPE	
15	51275782	1	SUPPORT	
16	51275781	1	SUPPORT	
17	51176601	1	FRONT AXLE HOUSING	
18	51176600	1	FRONT AXLE HOUSING	
19	56373800	2	SUPPORT	
20	F0863890010	16	SCREW M12x1,75x35	
21	F0838726050	16	STUD BOLT M14x1.5x80UNI5912	
22	F0814750010	16	NUT M14X1,5	
23	56177068	1	SPACER	
24	F0801310600	1	SAFETY RING	
25	F0862131000	8	SCREW M6X18 UNI 5931	
26	P254124000000	11	WASHER	
27	56178695	5	THREADED TERMINAL END	
28	59076503	1	CONNECTION PIPE	
29	59077319	1	PIPE	
30	59076501	1	PIPE	
31	58076871	1	FLEXIBLE HOSE	
32	59078596	1	PIPE	
33	56178696	1	THREADED TERMINAL END	
34	31313305	4	STUD BOLT	

SERIAL

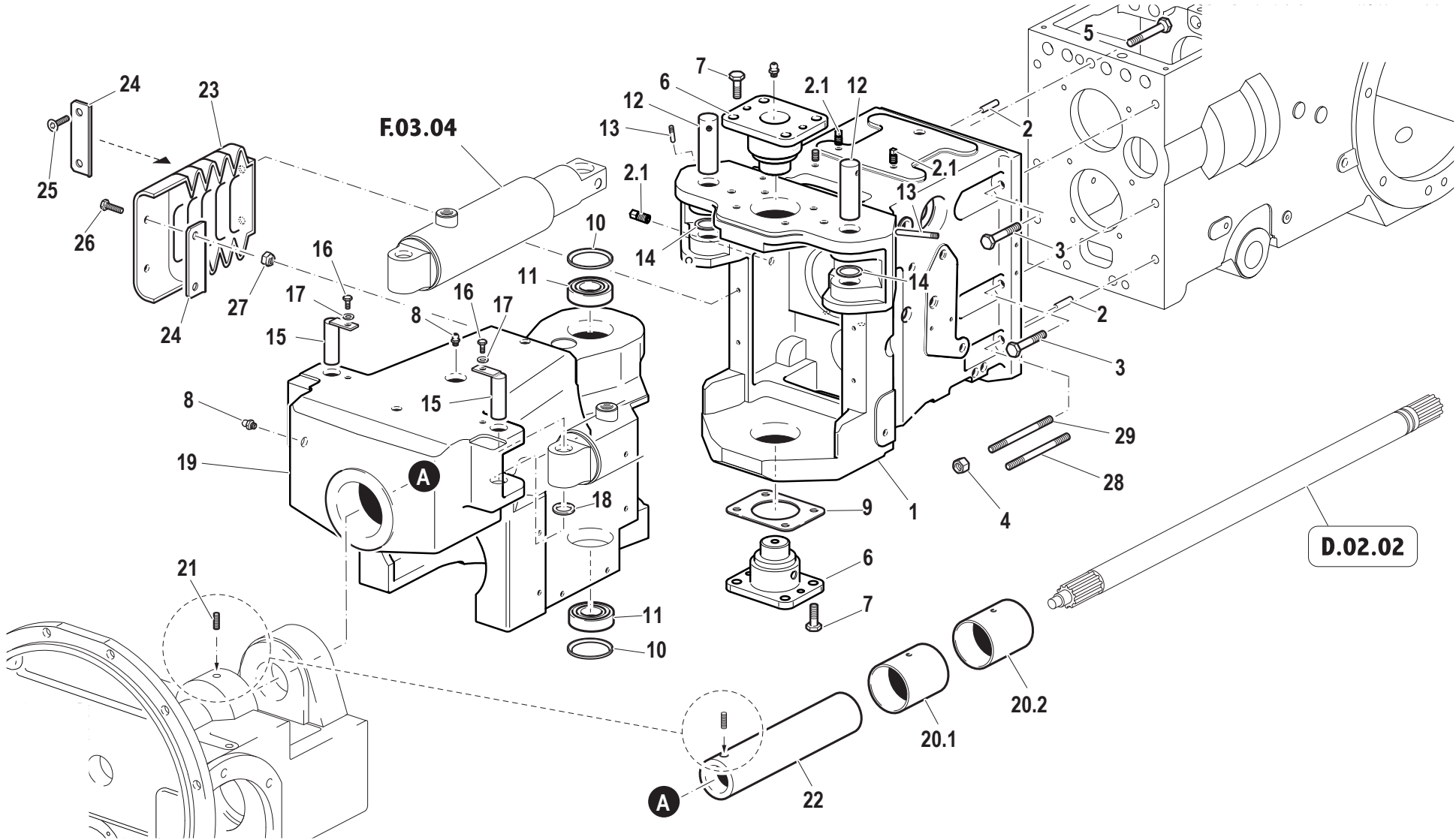
FRONT AXLE

Hp 75

CODE REV

C.01.02.L60001_0

CENTRAL SECTION



Pos.	Code	Q.ty	Description	Notes
1	51175644	1	SCAT.FRIZ/SN.POST.SP2/AR fp	
2	56570016	2	CYLINDRICAL PLUG	
3	F0863925000	5	SCREW M12X40 UNI 5737	
4	F0814706000	3	NUT M12	
5	F0863951000	1	SCREW M12X45 UNI 5737	
6	52373668	2	JOINT PIN	
7	F0863267050	8	SCREW M10x25	
8	F0826056000	4	LUBRICATOR M10 UNI 7663A	
10	58170077	2	GASKET	
11	F0812838000	2	BEARING 32007 (35x62x18 R)	
12	56374556	2	HINGE PIN	
13	56370178	2	SCREW	
14	56374557	2	SPACER	
15	59070838	2	HINGE PIN	
16	31111151	2	SCREW TE M8X16 UNI 5739 8G	
17	F0843643060	2	WASHER 8	
18	F0844240000	2	WASHER 20,5x33/3	
19	51175758	1	BOX	
21	58077226	1	GRAIN	
22	56477227	1	PIN	
23	55174429	2	BELLOWS	
24	56174446	4	FIXING BRACKET	
25	31132562	4	SCREW TSVEI M6X16 UNI 5933	
26	31112093	4	SCREW TE M6X20	
27	F0814547000	4	SELFLOCK NUT M6	
28	56375878	2	STUD BOLT	
29	F0838660000	1	STUD BOLT M12X105 UNI 5911-66	
2,0999999	58079118	5	ROD	
20,100000	56276371	1	BUSHING	
20,200000	56276372	1	BUSHING	
9,0100002	52173670		SHIM	
9,0200004	52173671		SHIM	
9,0299997	52173672		SHIM	
9,0399999	52173673		SHIM	

SERIAL
END

907960

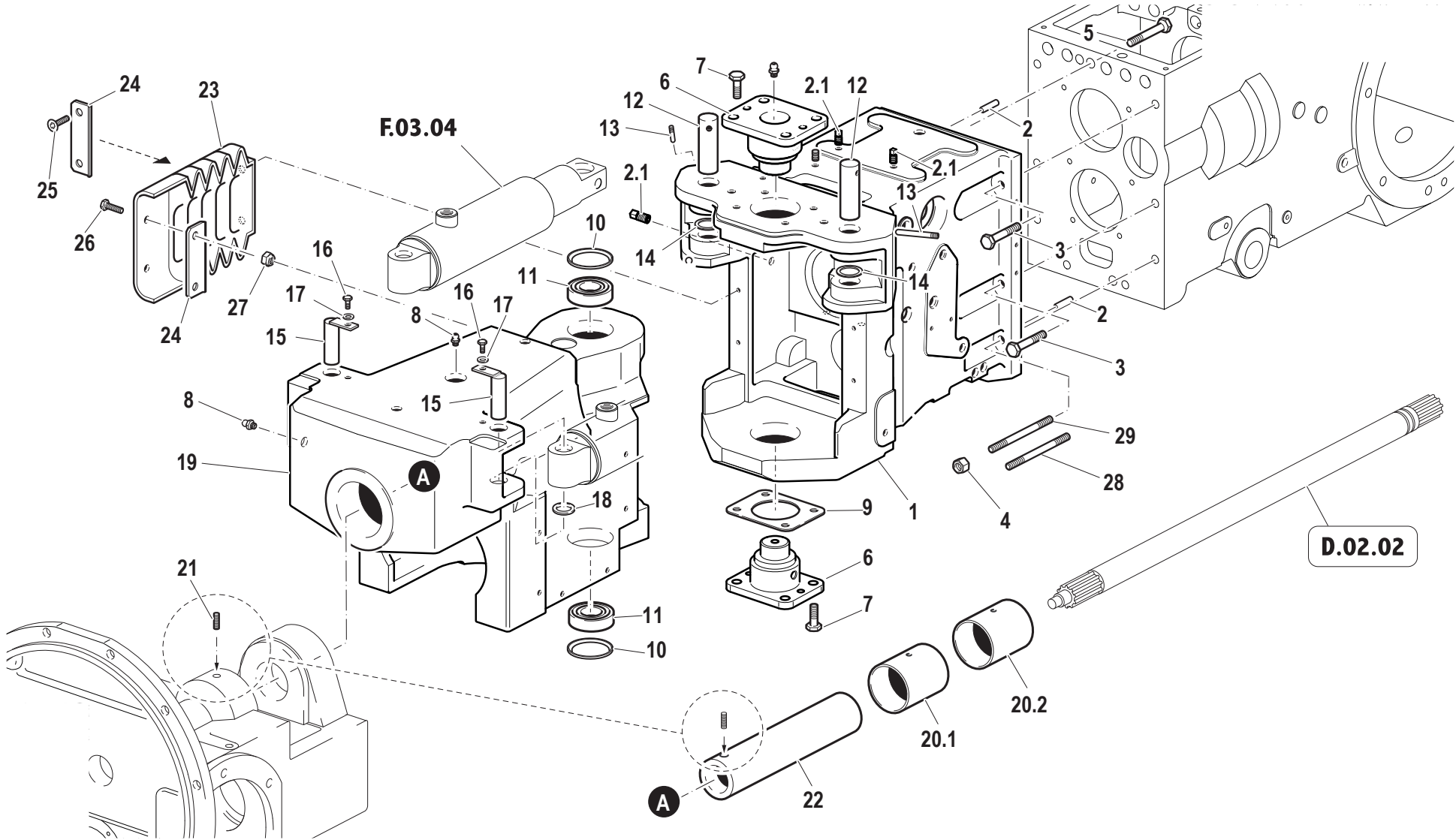
CENTRAL SECTION

Hp 75

CODE REV

C.02.02.L60001_0

CENTRAL SECTION



C.02.02.L60001_0

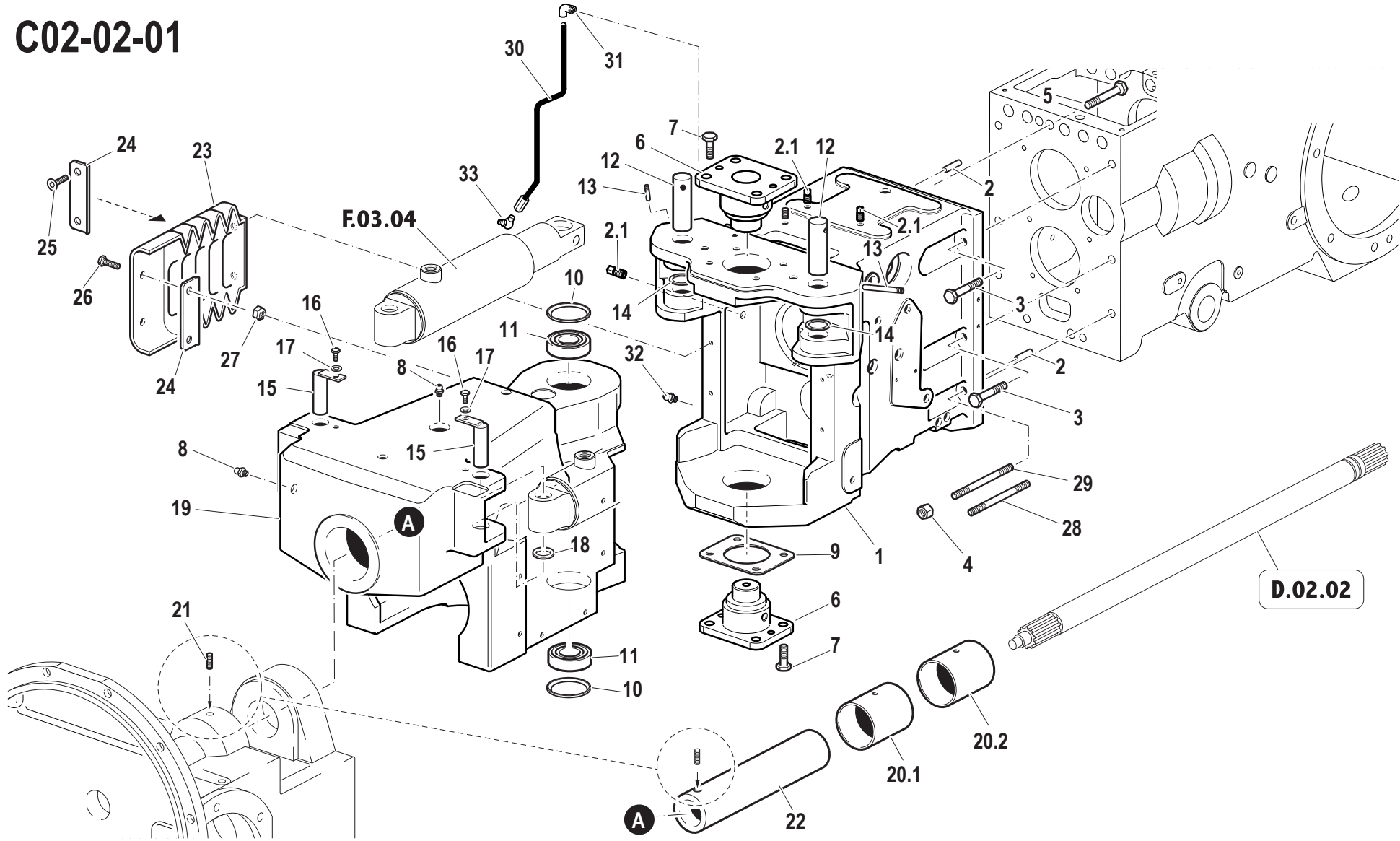
Pos.	Code	Q.ty	Description	Notes
9,0500001	52173669		SHIM	

SERIAL
END
907960

CENTRAL SECTION
Hp 75

CODE REV
C.02.02.L60001_0

C02-02-01



C.02.02.L60001_1

Pos.	Code	Q.ty	Description	Notes
1	51177431	1	CLUTCH HOUSING	029/05
2	56570016	2	CYLINDRICAL PLUG	
3	F0863925000	5	SCREW M12X40 UNI 5737	
4	F0814706000	3	NUT M12	
5	F0863951000	1	SCREW M12X45 UNI 5737	
6	52373668	2	JOINT PIN	
7	F0863267050	8	SCREW M10x25	
8	F0826056000	4	LUBRICATOR M10 UNI 7663A	
9	52173669		SHIM	
9	52173670		SHIM	
9	52173671		SHIM	
9	52173672		SHIM	
9	52173673		SHIM	
10	58170077	2	GASKET	
11	F0812838000	2	BEARING 32007 (35x62x18 R)	
12	56374556	2	HINGE PIN	
13	56370178	2	SCREW	
14	56374557	2	SPACER	
15	59070838	2	HINGE PIN	
16	31111151	2	SCREW TE M8X16 UNI 5739 8G	
17	F0843643060	2	WASHER 8	
18	F0844240000	2	WASHER 20,5x33/3	
19	51175758	1	BOX	
21	58077226	1	GRAIN	
22	56477227	1	PIN	
23	55174429	2	BELLOWS	
24	56174446	4	FIXING BRACKET	
25	31132562	4	SCREW TSVEI M6X16 UNI 5933	
26	31112093	4	SCREW TE M6X20	
27	F0814547000	4	SELFLOCK NUT M6	
28	56375878	2	STUD BOLT	
29	F0838660000	1	STUD BOLT M12X105 UNI 5911-66	
2,0999999	58079118	5	ROD	
20,100000	56276371	1	BUSHING	

SERIAL
START
907961

END
913461

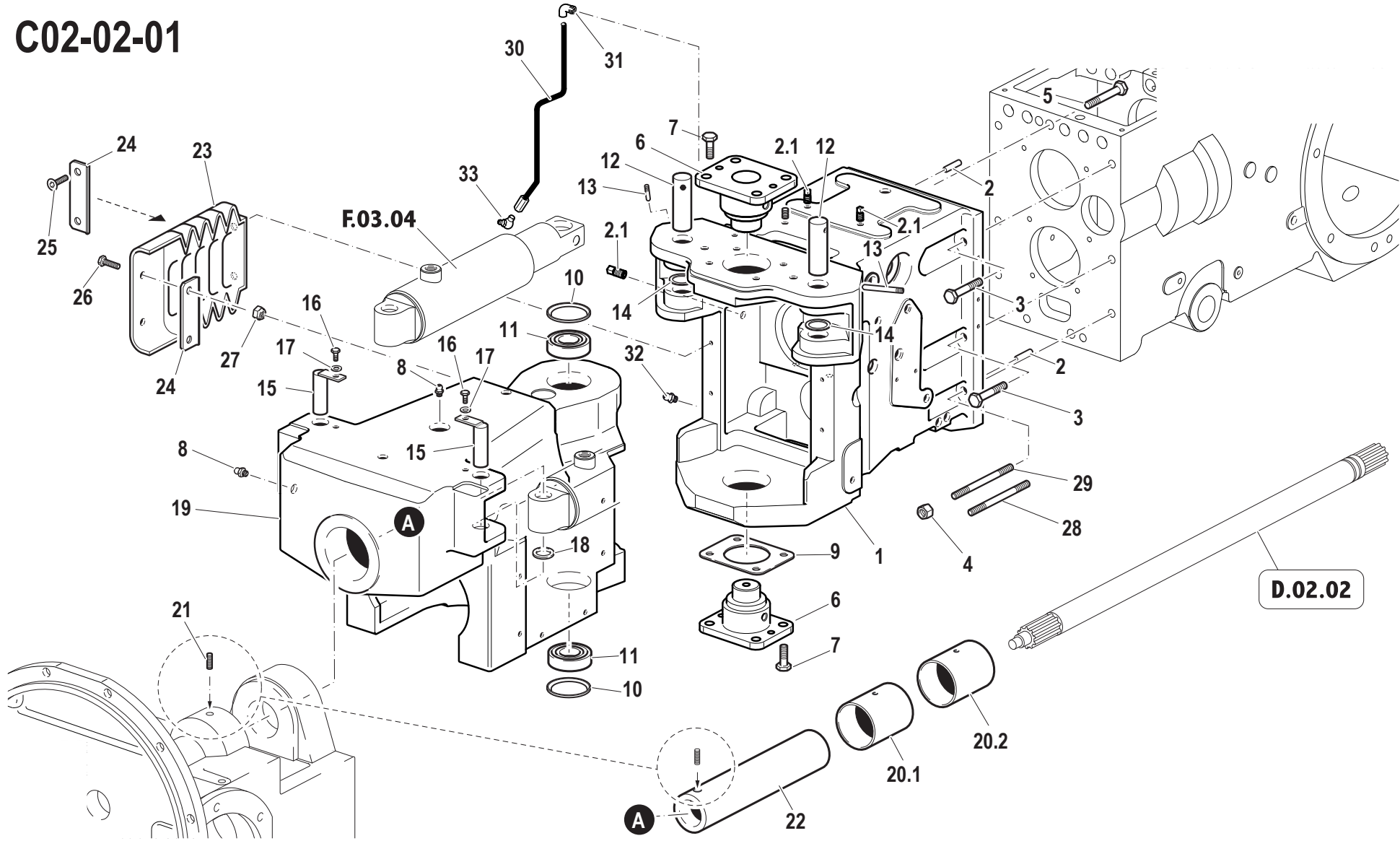
CENTRAL SECTION
Hp 75

CODE REV
C.02.02.L60001_1

CENTRAL SECTION

SERIAL START 907961 END 913461

C02-02-01



C.02.02.L60001_1

Pos.	Code	Q.ty	Description	Notes
20,200000	56276372	1	BUSHING	

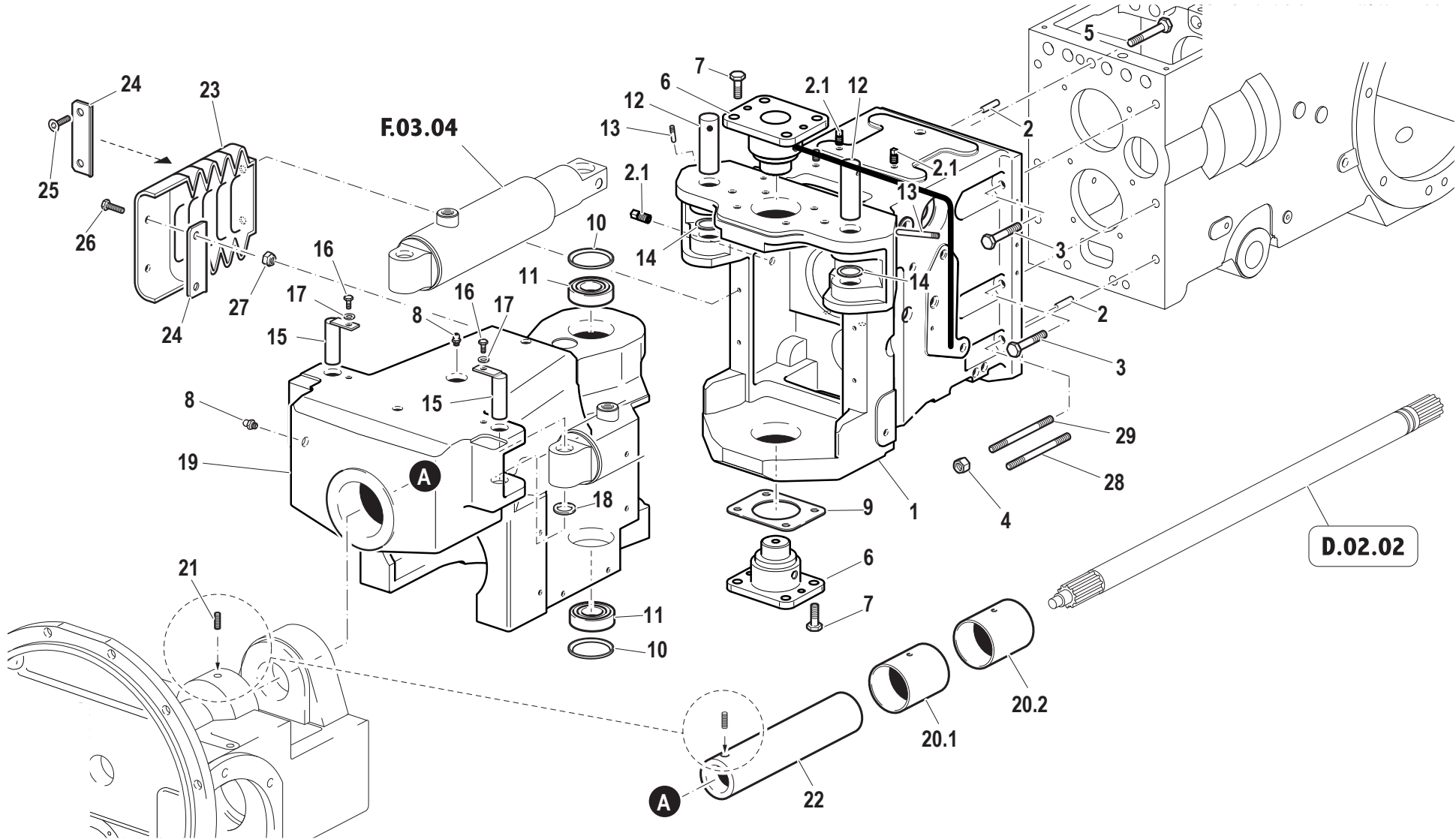
SERIAL
START
907961

END
913461

CENTRAL SECTION
Hp 75

CODE REV
C.02.02.L60001_1

CENTRAL SECTION



Pos.	Code	Q.ty	Description	Notes
1	51179210	1	CLUTCH HOUSING	164/06
2	56570016	2	CYLINDRICAL PLUG	
3	F0863925000	5	SCREW M12X40 UNI 5737	
4	F0814706000	3	NUT M12	
5	F0863951000	1	SCREW M12X45 UNI 5737	
6	52379209	2	JOINT PIN	164/06
7	F0863267050	8	SCREW M10x25	
8	F0826056000	2	LUBRICATOR M10 UNI 7663A	
9	52173669		SHIM	
9	52173670		SHIM	
9	52173671		SHIM	
9	52173672		SHIM	
9	52173673		SHIM	
10	58170077	2	GASKET	
11	F0812838000	2	BEARING 32007 (35x62x18 R)	
12	56374556	2	HINGE PIN	
13	56370178	2	SCREW	
14	56374557	2	SPACER	
15	59070838	2	HINGE PIN	
16	31111151	2	SCREW TE M8X16 UNI 5739 8G	
17	F0843643060	2	WASHER 8	
18	F0844240000	2	WASHER 20,5x33/3	
19	51175758	1	BOX	
21	58077226	1	GRAIN	
22	56477227	1	PIN	
23	55174429	2	BELLOWS	
24	56174446	4	FIXING BRACKET	
25	31132562	4	SCREW TSVEI M6X16 UNI 5933	
26	31112093	4	SCREW TE M6X20	
27	F0814547000	4	SELFLOCK NUT M6	
28	56375878	2	STUD BOLT	
29	F0838660000	1	STUD BOLT M12X105 UNI 5911-66	
30	59079208	1	PIPE	164/06
31	30000253	1	PIPE FITTING	164/06

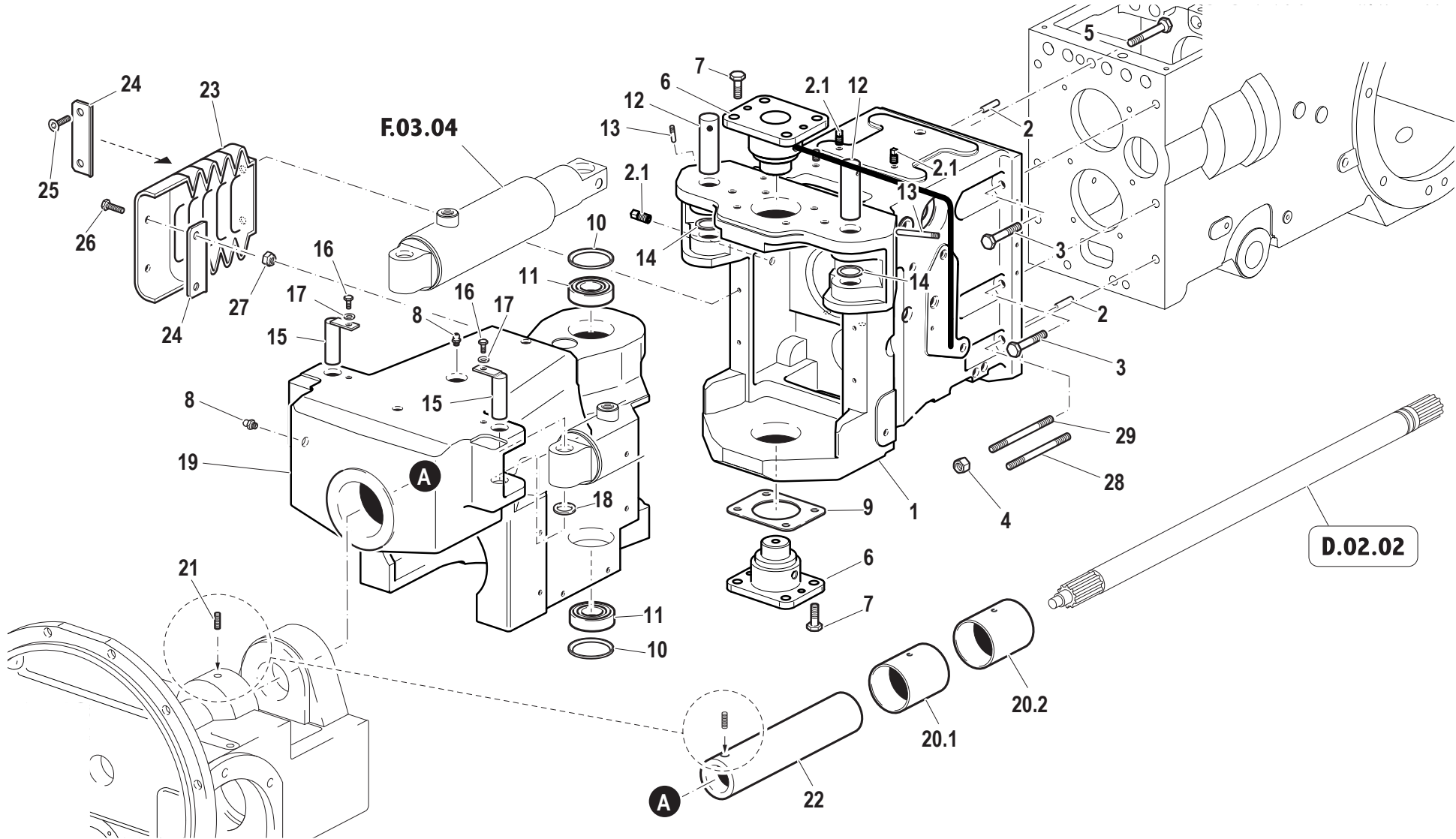
SERIAL
START
913462

END
913997

CENTRAL SECTION
Hp 75

CODE REV
C.02.02.L60001_2

CENTRAL SECTION



C.02.02.L60001_2

Pos.	Code	Q.ty	Description	Notes
32	30000007	1	LUBRICATOR	164/06
33	F0826039000	1	LUBRICATOR	164/06
2,0999999	58079118	5	ROD	
20,100000	56276371	1	BUSHING	
20,200000	56276372	1	BUSHING	

SERIAL
START
913462

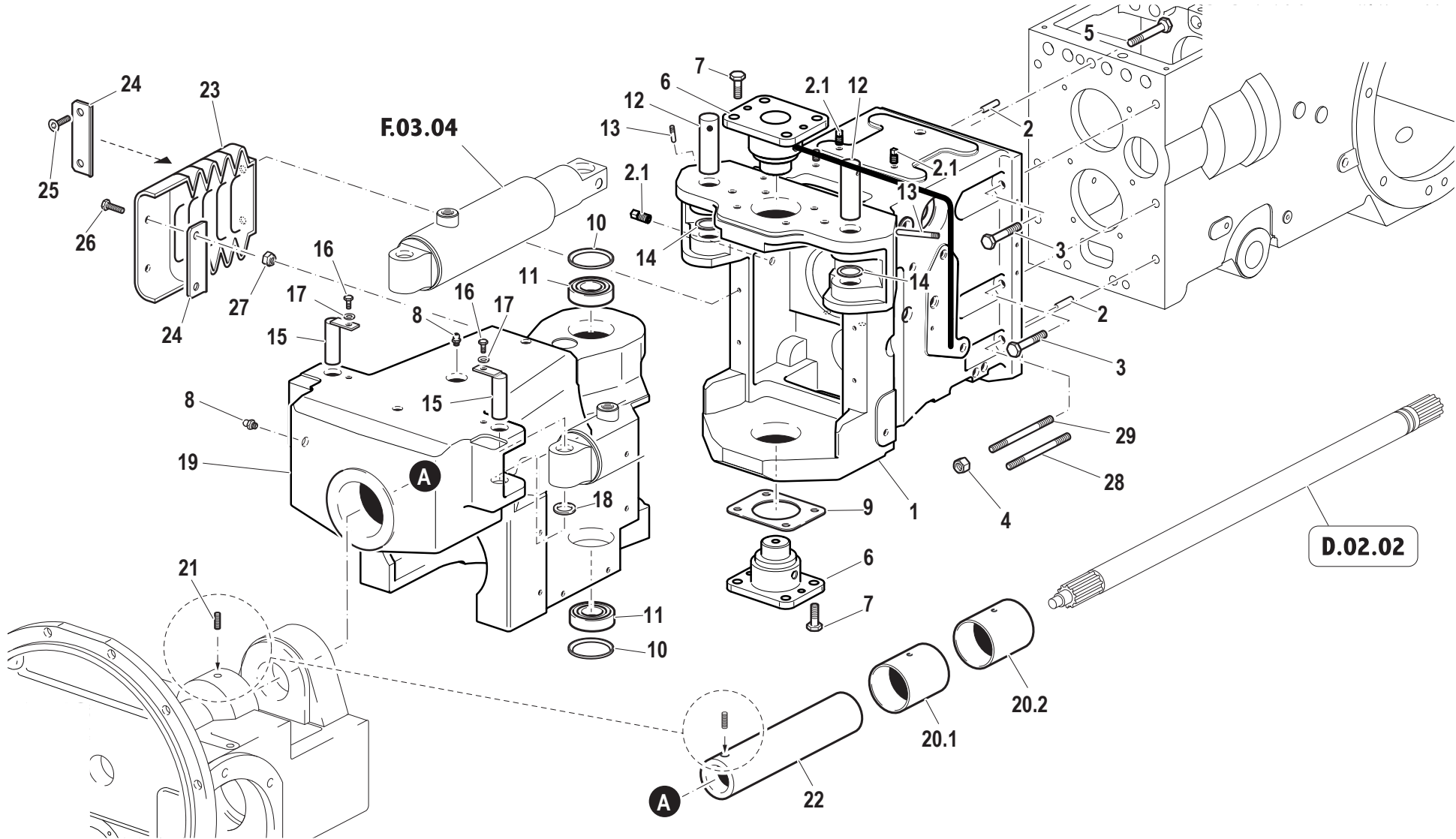
END
913997

CENTRAL SECTION

Hp 75

CODE REV
C.02.02.L60001_2

CENTRAL SECTION



Pos.	Code	Q.ty	Description	Notes
1	51178590	1	CLUTCH HOUSING	
2	56570016	2	CYLINDRICAL PLUG	
3	F0863925000	5	SCREW M12X40 UNI 5737	
4	F0814706000	3	NUT M12	
5	F0863951000	1	SCREW M12X45 UNI 5737	
6	52379209	2	JOINT PIN	
7	F0863267050	8	SCREW M10x25	
8	F0826056000	2	LUBRICATOR M10 UNI 7663A	
9	52173669		SHIM	
9	52173670		SHIM	
9	52173671		SHIM	
9	52173672		SHIM	
9	52173673		SHIM	
10	58170077	2	GASKET	
11	F0812838000	2	BEARING 32007 (35x62x18 R)	
12	56374556	2	HINGE PIN	
13	56370178	2	SCREW	
14	56374557	2	SPACER	
15	59070838	2	HINGE PIN	
16	31111151	2	SCREW TE M8X16 UNI 5739 8G	
17	F0843643060	2	WASHER 8	
18	F0844240000	2	WASHER 20,5x33/3	
19	51175758	1	BOX	
21	58077226	1	GRAIN	
22	56477227	1	PIN	
23	55174429	2	BELLOWS	
24	56174446	4	FIXING BRACKET	
25	31132562	4	SCREW TSVEI M6X16 UNI 5933	
26	31112093	4	SCREW TE M6X20	
27	F0814547000	4	SELFLOCK NUT M6	
28	56375878	2	STUD BOLT	
29	F0838660000	1	STUD BOLT M12X105 UNI 5911-66	
30	59079208	1	PIPE	
31	30000253	1	PIPE FITTING	

SERIAL
START
913998

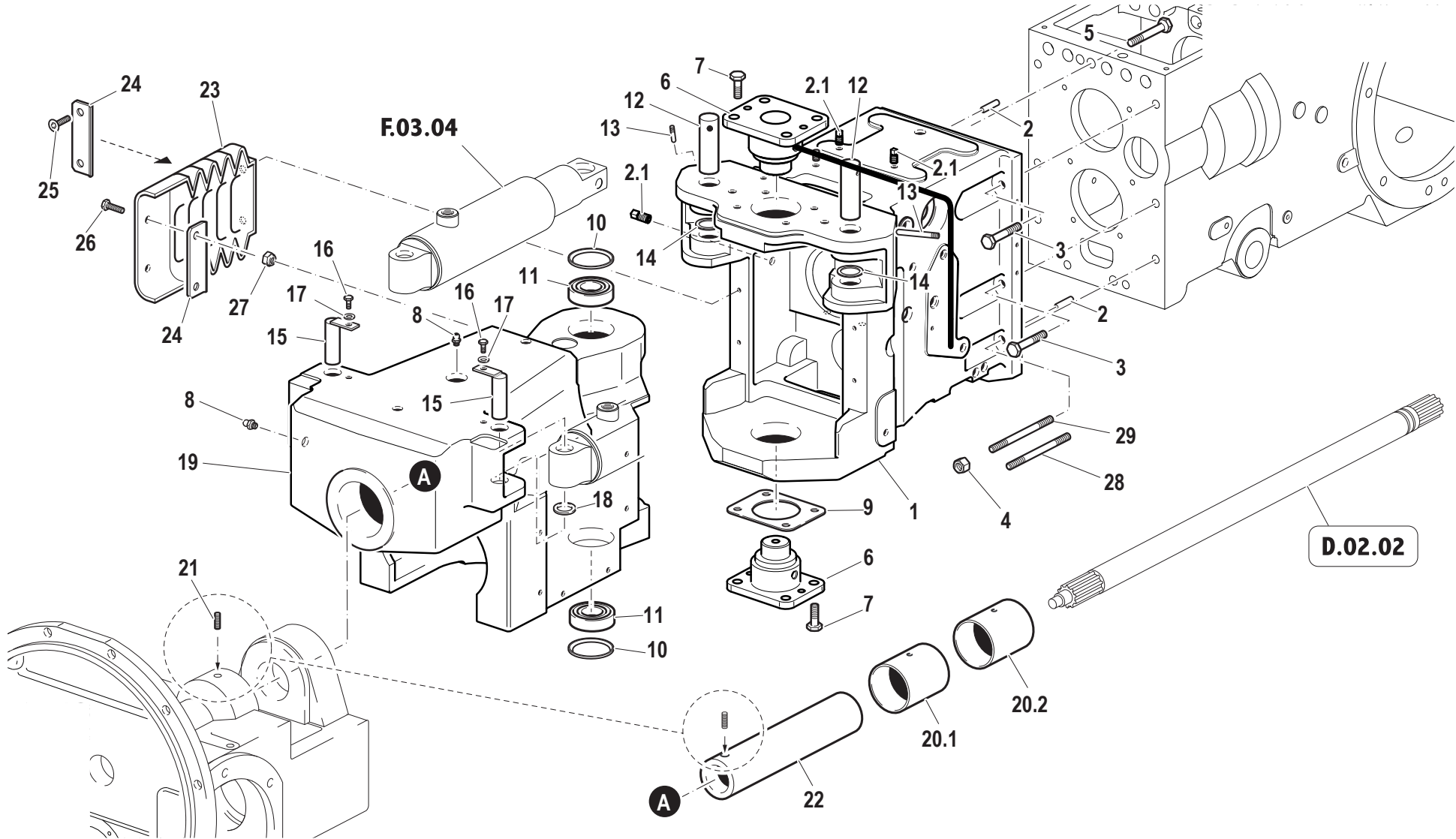
CENTRAL SECTION

Hp 75

CODE REV

C.02.02.L60001_3

CENTRAL SECTION



C.02.02.L60001_3

Pos.	Code	Q.ty	Description	Notes
32	30000007	1	LUBRICATOR	
33	F0826039000	1	LUBRICATOR	
2,0999999	58079118	5	ROD	
20,100000	56276371	1	BUSHING	
20,200000	56276372	1	BUSHING	

SERIAL
START
913998

CENTRAL SECTION

Hp 75

CODE REV
C.02.02.L60001_3

Pos.	Code	Q.ty	Description	Notes
32	30000007	1	LUBRICATOR	
31	30000253	1	PIPE FITTING	
16	31111151	2	SCREW TE M8X16 UNI 5739 8G	
26	31112093	4	SCREW TE M6X20	
25	31132562	4	SCREW TSVEI M6X16 UNI 5933	
35	35121061	1	SEEGER RING	
19	51175758	1	BOX	
1	51178590	1	CLUTCH HOUSING	
9	52173669	1	SHIM	
9	52173670	1	SHIM	
9	52173671	1	SHIM	
9	52173672	1	SHIM	
9	52173673	1	SHIM	
6	52379209	2	JOINT PIN	
23	55174429	2	BELLOWS	
24	56174446	4	FIXING BRACKET	
20,2	562A1659	1	FRONT AXLE HINGING FR. BUSHING	
20,1	562A1660	1	FR. AXLE HINGING REAR BUSHING	
13	56370178	2	SCREW	
12	56374556	2	HINGE PIN	
14	56374557	2	SPACER	
28	56375878	2	STUD BOLT	
22	564A2715	1	TILT PIN	
2	56570016	2	CYLINDRICAL PLUG	
2,1	58079118	5	ROD	
21	580A1662	1	GRAIN	
10	58170077	2	GASKET	
15	59070838	2	HINGE PIN	
30	59079208	1	PIPE	
34	561A2717Z	1	SPACER DIAM.68X60,5/5	
11	F0812838000	2	BEARING 32007 (35x62x18 R)	
27	F0814547000	4	SELFLOCK NUT M6	
4	F0814706000	3	NUT M12	
33	F0826039000	1	LUBRICATOR	

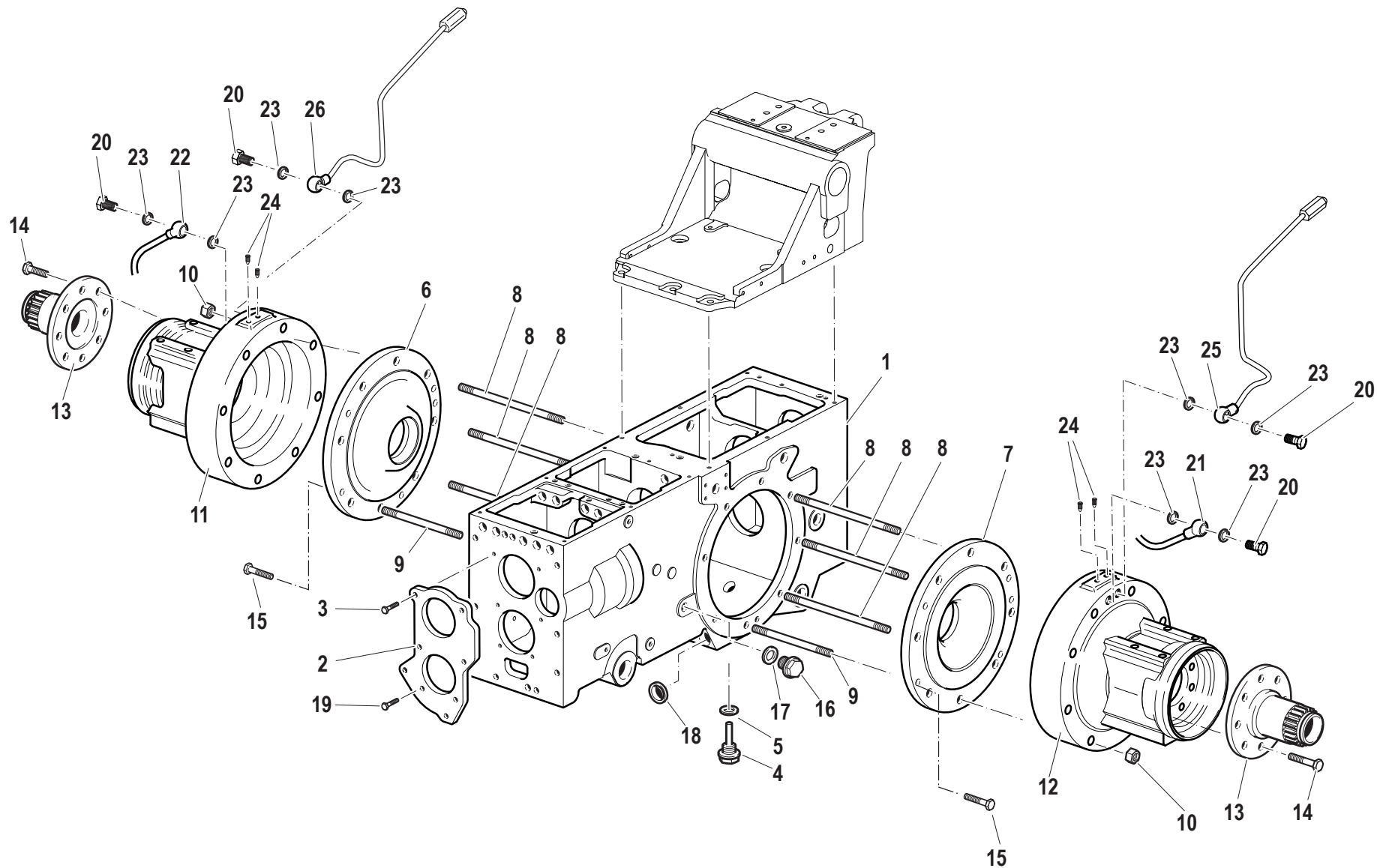
SERIAL

CENTRAL SECTION

CODE REV

C.02.02.L60002_0

Pos.	Code	Q.ty	Description	Notes
8	F0826056000	2	LUBRICATOR M10 UNI 7663A	
29	F0838660000	1	STUD BOLT M12X105 UNI 5911-66	
17	F0843643060	2	WASHER 8	
18	F0844240000	2	WASHER 20,5x33/3	
7	F0863267050	8	SCREW M10x25	
3	F0863925000	5	SCREW M12X40 UNI 5737	
5	F0863951000	1	SCREW M12X45 UNI 5737	



Pos.	Code	Q.ty	Description	Notes
1	51176123	1	GEAR BOX	
2	51175810	1	FRONT COVER	
3	31112151	2	SCREW TE M8X25 UNI 5739 8G	
4	58170021	1	PLUG	
5	F0844273090	1	GASKET 22X28X1,5 CU 99,5	
6	51275774	1	SUPPORT	
7	51275775	1	SUPPORT	
8	31313315	6	STUD BOLT	
9	31313295	10	STUD BOLT	
10	F0814750010	16	NUT M14X1,5	
11	51179405	1	REAR AXLE HOUSING	
12	51179406	1	REAR AXLE HOUSING	
13	56373800	2	SUPPORT	
14	F0863890010	16	SCREW M12x1,75x35	
15	31112147	6	SCREW TE M8X18 UNI 5739 8G	
16	30040035	1	PLUG M18x1,5 DIN908	
17	F0824113000	1	COPPER WASHER 18X24/1,5	
18	56176124	1	PLUG	
19	31152081	4	SCREW TCEI M8X20 UNI 5931	
20	56178695	4	THREADED TERMINAL END	
21	59076505	1	PRESSURE PIPE	
22	59076504	1	PRESSURE PIPE	
23	P254124000000	4	WASHER	
24	58179399	4	PLUG	
25	59077321	1	PIPE	
26	59077322	1	PIPE	

SERIAL

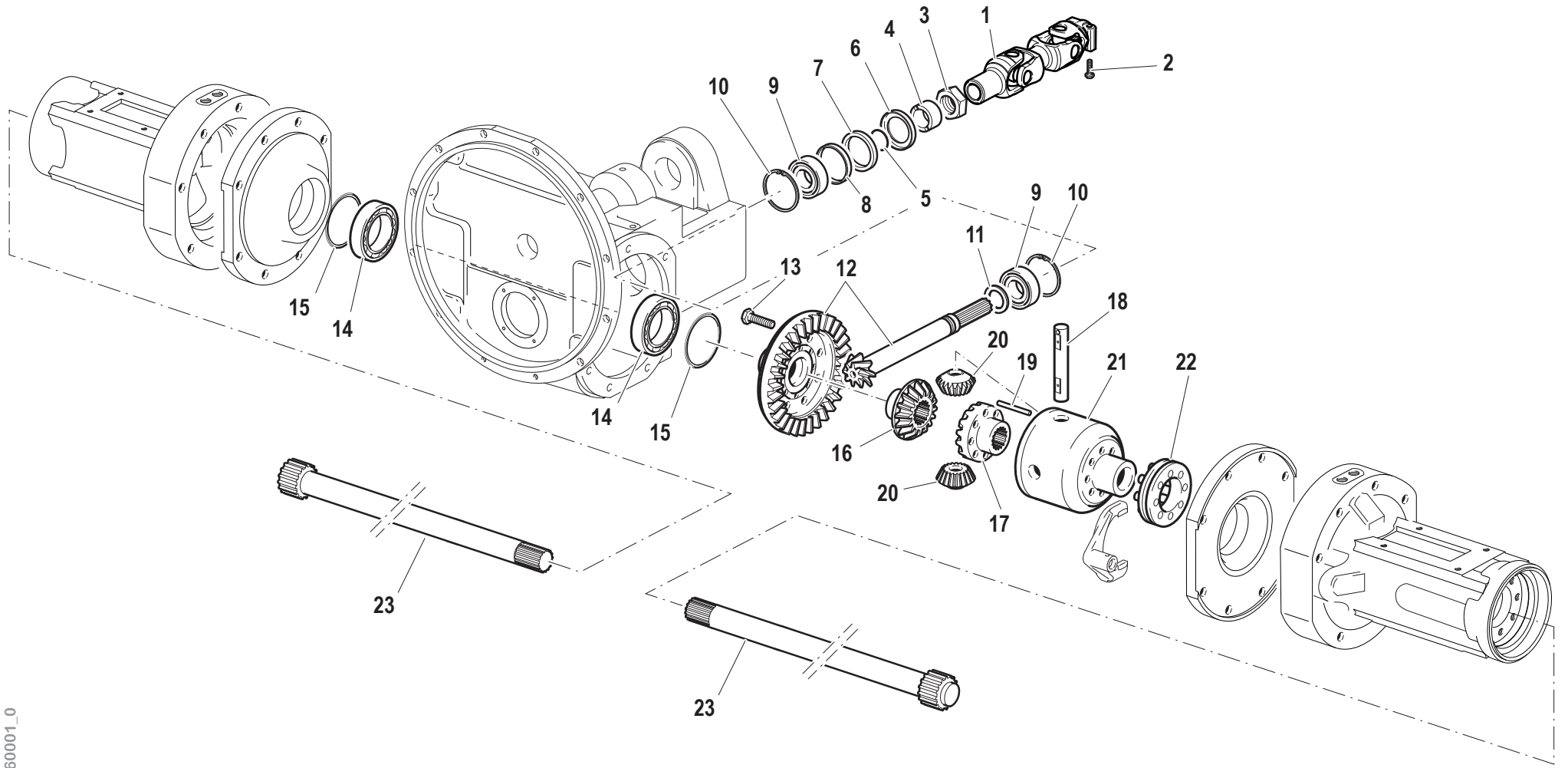
REAR AXLE

Hp 75

CODE REV

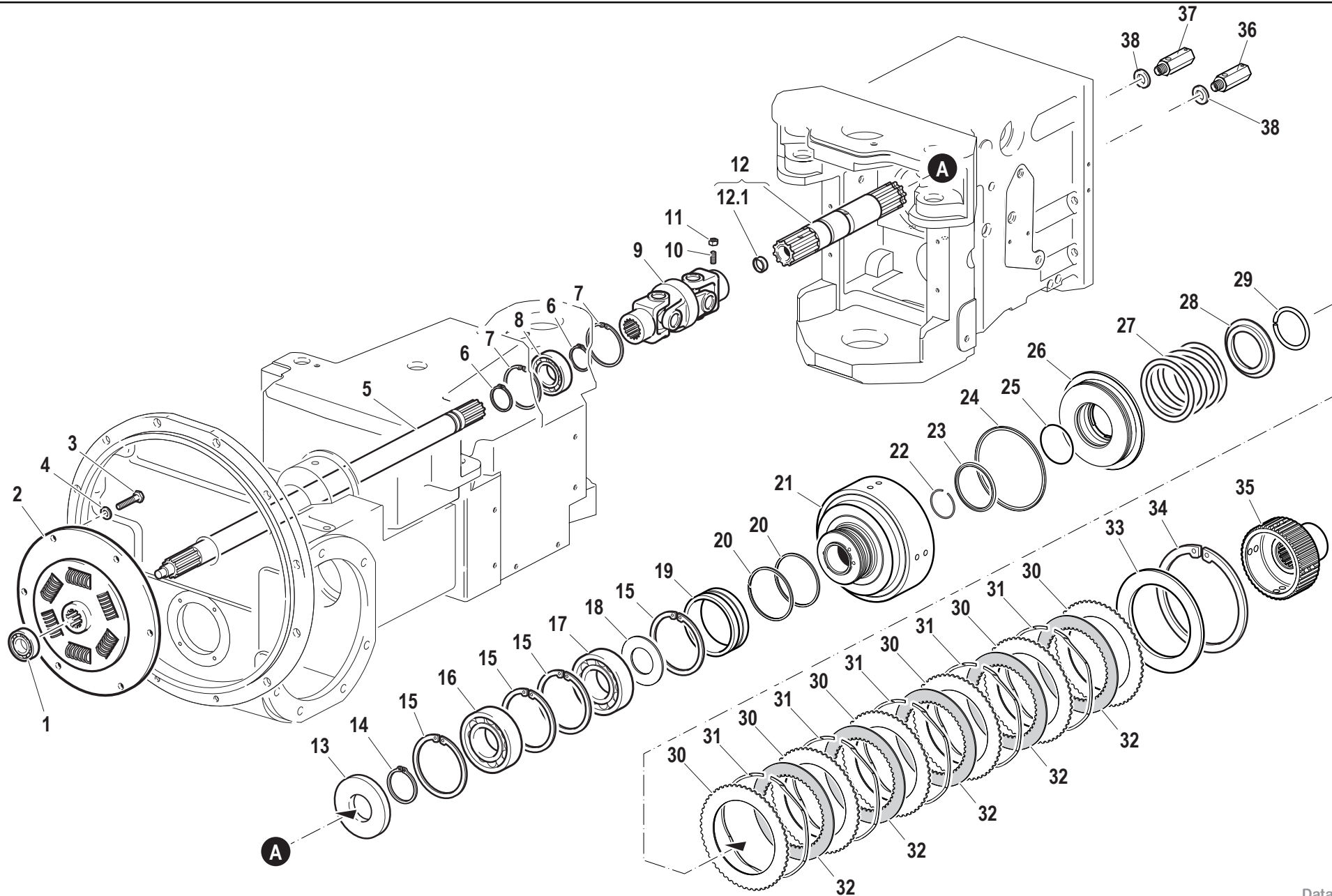
C.03.02.L60001_0

FRONT TRANSMISSION



Pos.	Code	Q.ty	Description	Notes
1	58178810	1	JOINT	
2	31111156	1	SCREW TE M8X50 UNI 5737 CL 10.9	
3	56370085	1	RING NUT	
4	56470215	1	SPACER	
5	F0803078100	1	O-RING	
6	56170214	1	PROTECTIVE RING D=72	
7	F0802239045	1	SEAL 50x72x8	
8	56170213	1	SPACER	
9	F0812859000	2	BEARING 32207	
10	F0801422010	2	SEEGER RING	
11	56370209	0	SHIM	
12	56370210		SHIM	
12	56370211		SHIM	
12	56370212		SHIM	
12	59376019	1	BEVEL GEAR	
13	F0863311250	8	SCREW M10x1,5x32	
14	F0812956000	2	BEARING 32010 X/Q	
15	56370089	0	RING	
16	56370127		RING	
16	56370128		RING	
16	52470062	1	PINION	
17	52470061	1	PINION	
18	56471036	1	PIN	
19	56371037	1	PIN	
20	52470067	2	DIFFERENTIAL PINION	
21	51371035	1	HOUSING	
22	59070065	1	SLEEVE	
23	56475856	2	AXLE SHAFT	

CLUTCH FRONT SHAFT/ TRANSMISSION CLUTCH



Pos.	Code	Q.ty	Description	Notes
3	31152095	8	SCREW M10x20 DIN 7984 10.9ZNT/B	
11	31211080	1	NUT M8	
7	35111062	2	SEEGER RING	
15	35111080	5	SEEGER RING	
6	35121030	2	SEEGER RING	
16	37111354	1	BEARING	
8	37112299	1	BEARING	
25	38104412	1	O-RING	
35	52473655	1	HUB	
12	52473660	1	SHAFT	
21	52573648	1	CLUTCH HOUSING	
26	53273025	1	PISTON	
33	56370037	1	CLUTCH DISC	
28	56370267	1	RING	
18	56371162	1	SHIM	
19	56470002	1	BUSHING	
5	565A2166	1	SHAFT	
27	58070262	1	RESTORING SPRING	
29	58070268	1	CIRCLIP	
12,1	58073461	1	PLUG	
30	58170034	6	DISC	
20	58170306	2	SEAL	
23	58170443	1	GASKET	
32	58172105	5	DISC	
31	58172106	5	SPRING	
24	58172400	1	GASKET	
9	58173664	1	CARDAN JOINT	
2	581A2710	1	JOINT	
36	59278554	1	VALVE	
37	59278555	1	VALVE	
14	F0801264050	1	SEEGER RING	
22	F0801266100	1	SAFETY RING	
34	F0801455100	1	SEEGER RING	
13	F0802163010	1	SEAL 35x80/10	

SERIAL

CLUTCH FRONT SHAFT / TRANSMISSION CLUTCH

CODE REV

D.02.02.L60002_0

Pos.	Code	Q.ty	Description	Notes
1	F0812523050	1	BEARING 6201-2RS	
17	F0812868100	1	BEARING 6307-2Z (35x80x21)	
4	F0843841000	1	COPPER WASHER 12,0x18/1,5	
10	F0862657000	1	GRAIN	

Pos.	Code	Q.ty	Description	Notes
43	30000638	1	SWITCH	
41	30021119	2	CLAMP 11-19 SE519S (21116) *	
32	30030060	2	BUSHING	
1	31111097	2	SCREW TE M6X45 UNI 5737 8G	
35	31112151	1	SCREW TE M8X25 UNI 5739 8G	
44	31112152	1	SCREW TE M8X30 UNI 5739 8G	
5	31112219	3	SCREW TE M10X25 UNI 5739	
31	31133600	1	SCREW TSVEI M10X25 U5933	
14	31211080	3	NUT M8	
36	31211080	2	NUT M8	
9	31411105	3	WASHER 10,5x21	
4	56176142	2	COMB	
38	56176346	1	PIPE FITTING	
42	56176515	1	PIPE FITTING	
13	56177071	1	CAP	
12	56177088	1	PLATE	
20	56377095	1	THRUST PLATE	
15	56377332	1	PIN	
16	58070741	1	SPRING	
28	58076330	1	FLEXIBLE HOSE	
40	58077217	1	PIPE	
17	58077333	1	SPRING	
8	58077613	1	RESTORING SPRING	
26	58176237	1	PUMP	
22	58176267	1	BUSHING	
6	58176268	3	BUSHING	
19	59076990	1	CLUTCH PEDAL	
21	59077035	1	LEVER	
7	59077037	1	LEVER	
23	59077041	1	CONNECTING ROD	
24	F0810510000	1	SPLIT PIN A2,0X20 UNI 1336	
10	F0814627000	8	NUT M10	
39	F0824113000	1	COPPER WASHER 18X24/1,5	
25	F0835523000	1	PIN	

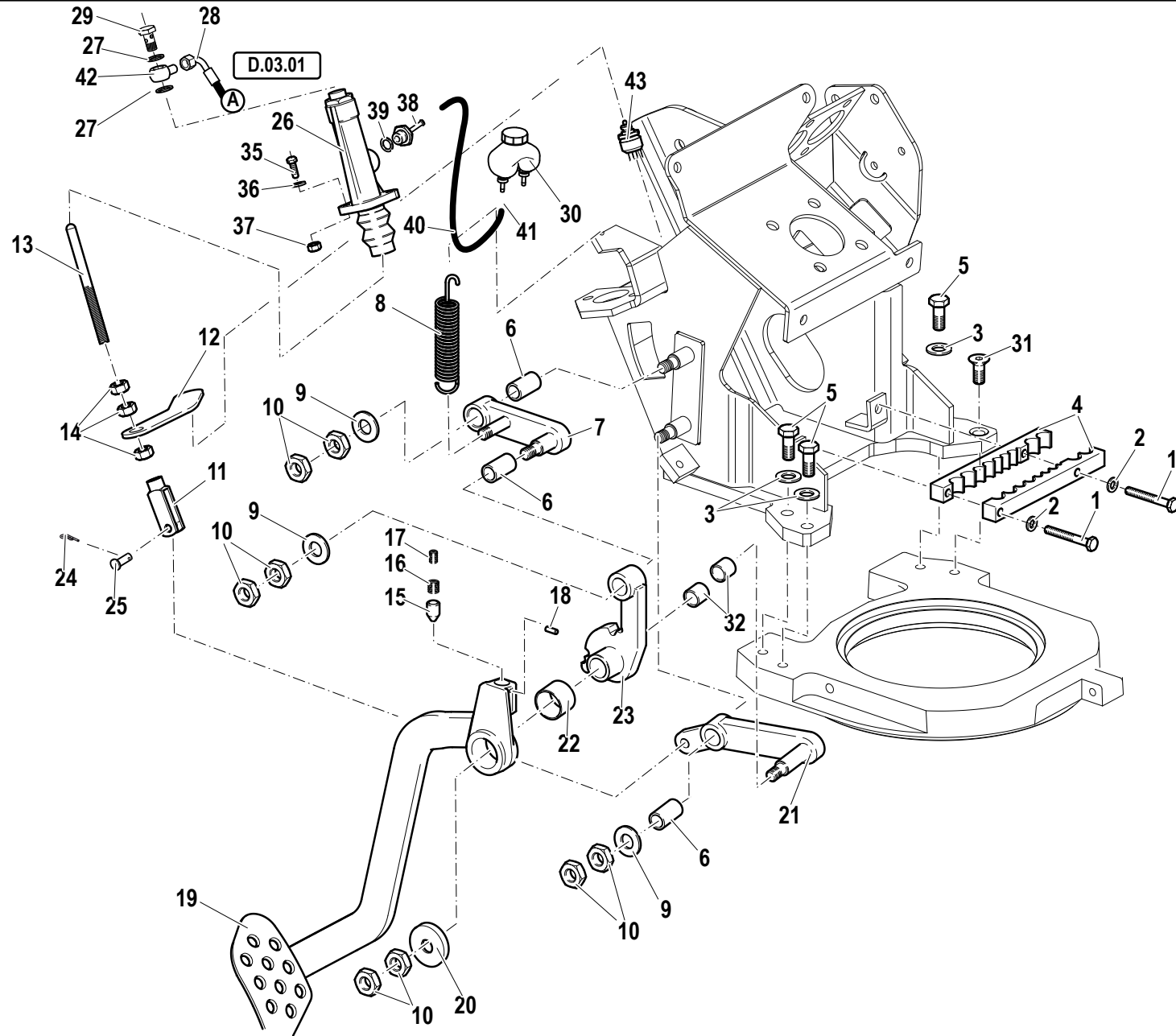
SERIAL

CLUTCH CONTROLS

CODE REV

D.03.01.L60002_1

Pos.	Code	Q.ty	Description	Notes
29	F0843105000	1	PIPE FITTING 12x1,5	
2	F0843570000	2	WASHER 6	
37	F0843643060	2	WASHER 8	
3	F0843755000	3	WASHER 10	
27	F0843841000	2	COPPER WASHER 12,0x18/1,5	
18	F0851032000	1	ROLL PIN 3,0X18 DIN 1481	
11	F0860060010	1	FORK	
30	P238176000000	1	TANK	



Pos.	Code	Q.ty	Description	Notes
1	31111097	2	SCREW TE M6X45 UNI 5737 8G	
2	F0843570000	2	WASHER 6	
3	F0843755000	3	WASHER 10	
4	56176142	2	COMB	
5	31112219	3	SCREW TE M10X25 UNI 5739	
6	58176268	3	BUSHING	
7	59077037	1	LEVER	
8	58077613	1	RESTORING SPRING	
9	31411105	3	WASHER 10,5x21	
10	F0814627000	8	NUT M10	
11	F0860060010	1	FORK	
12	56177088	1	PLATE	
13	56177071	1	CAP	
14	31211080	3	NUT M8	
15	56377332	1	PIN	
16	58070741	1	SPRING	
17	58077333	1	SPRING	
18	F0851032000	1	ROLL PIN 3,0X18 DIN 1481	
19	59076990	1	CLUTCH PEDAL	
20	56377095	1	THRUST PLATE	
21	59077035	1	LEVER	
22	58176267	1	BUSHING	
23	59077041	1	CONNECTING ROD	
24	F0810510000	1	SPLIT PIN A2,0X20 UNI 1336	
25	F0835523000	1	PIN	
26	58176237	1	PUMP	
27	F0843841000	2	COPPER WASHER 12,0x18/1,5	
28	58076330	1	FLEXIBLE HOSE	
29	F0843105000	1	PIPE FITTING 12x1,5	
30	P238176000000	1	TANK	
31	31133600	1	SCREW TSVEI M10X25 U5933	
32	30030060	2	BUSHING	
35	31112151	2	SCREW TE M8X25 UNI 5739 8G	
36	31211080	2	NUT M8	

SERIAL

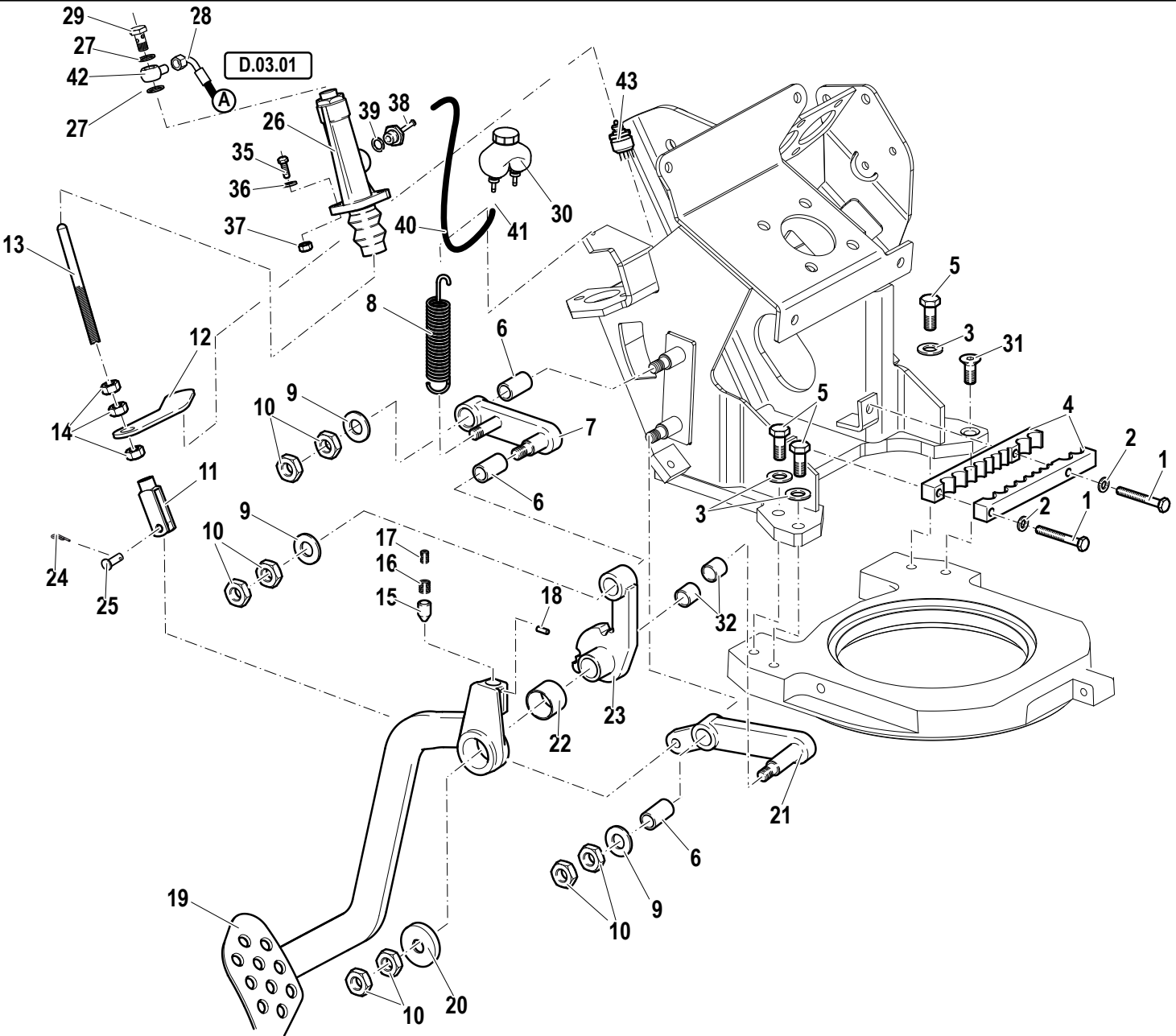
CLUTCH CONTROLS

Hp 75

CODE REV

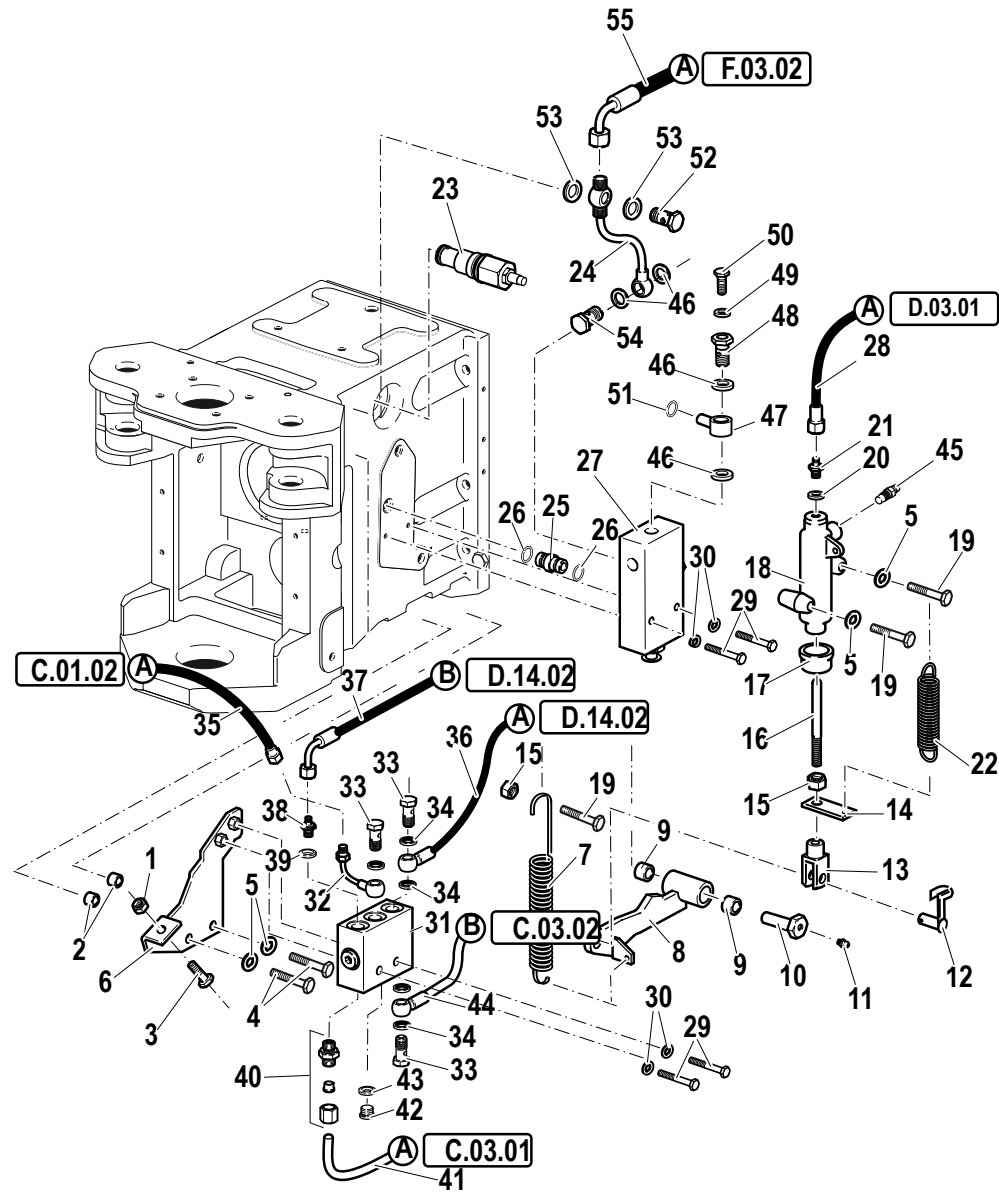
D.03.01.L60007_0

CLUTCH CONTROLS



Pos.	Code	Q.ty	Description	Notes
37	F0843643060	2	WASHER 8	
38	56176346	1	PIPE FITTING	
39	F0824113000	1	COPPER WASHER 18X24/1,5	
40	58077217	1	PIPE	
41	F0817500100	2	CLAMP 013,8-706R	
42	56176515	1	PIPE FITTING	
43	30000638	1	SWITCH	

FRIZIONE FRENO



Pos.	Code	Q.ty	Description	Notes
1	31211060	1	HEXAGONAL NUT M8	
2	56171996	2	SPACER	
3	31112093	2	SCREW TE M6X20	
4	31112152	2	SCREW TE M8X30 UNI 5739 8G	
5	F0843643060	4	WASHER 8	
6	59077042	1	FIXING BRACKET	
7	58077096	1	RESTORING SPRING	
8	59076154	1	ROCKER	
9	58173195	2	BUSHING	
10	56173684	1	PIN	
11	30000007	1	LUBRICATOR	
12	F0860058020	1	PIN	
13	F0860058010	1	FORK	
14	P439140000001	1	BRACKET	
15	F0814569000	1	NUT	
16	56177070	1	CAP	
17	P439243000000	1	GUARD	
18	58176238	1	ACTUATOR	
19	31112155	2	SCREW	
20	F0843841000	3	COPPER WASHER 12,0x18/1,5	
21	56176514	1	NIPPLE	
22	F0831125000	1	SPRING	
23	58173961	1	VALVE	
24	59077708	1	PIPE	
25	56170029	1	PIPE FITTING	
26	F0803057000	2	O-RING	
27	58173030	1	SWITCH	
28	58076330	1	FLEXIBLE HOSE	
29	F0862345000	2	SCREW M6X40 UNI 5737	
30	F0843581010	2	SPRING WASHER 6	
31	58176357	1	SMALL BLOCK	
32	59076502	1	PIPE	
33	56178695	1	THREADED TERMINAL END	
34	P254124000000	1	WASHER	

SERIAL
END

913997

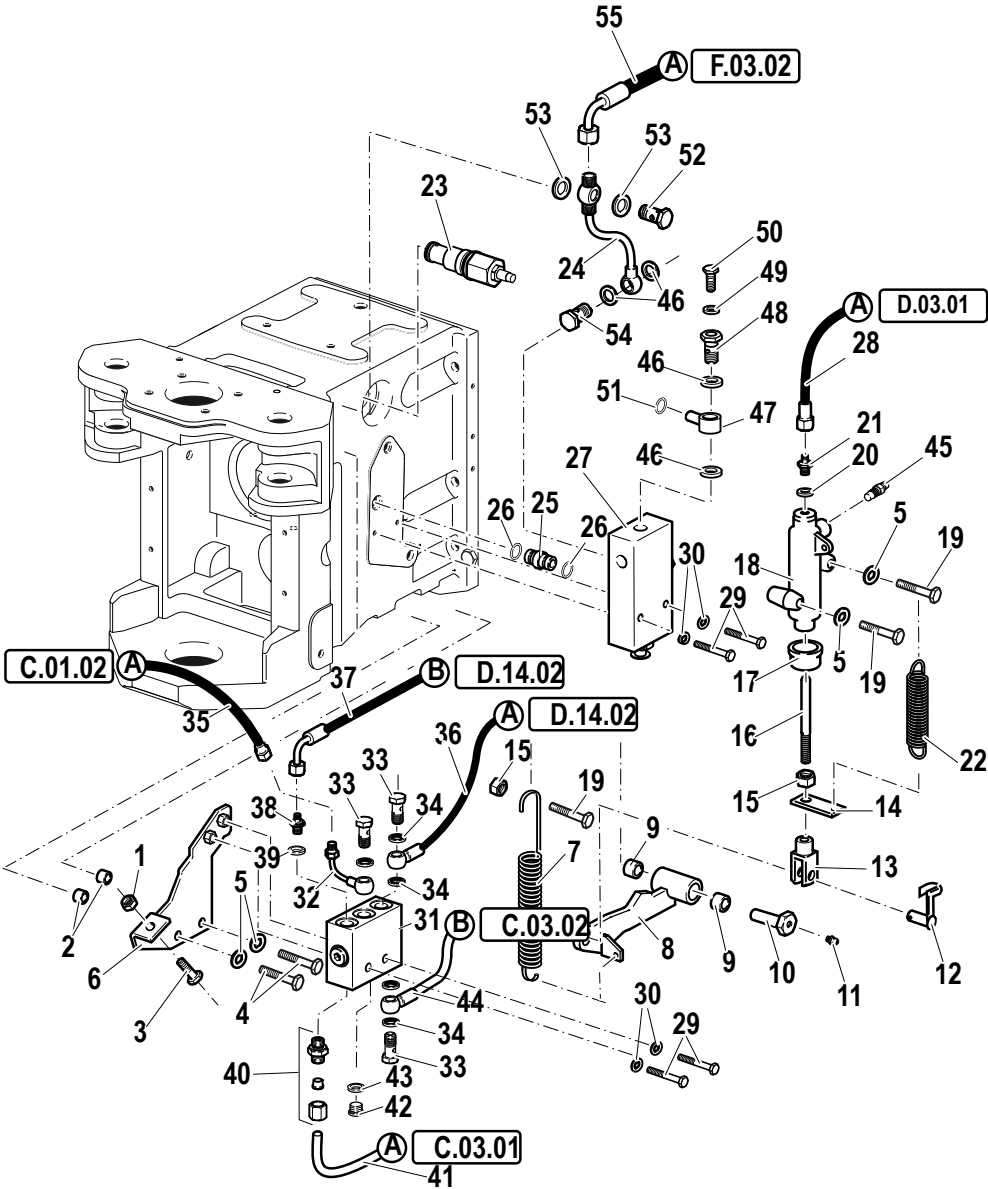
FRIZIONE FRENO

Hp 75

CODE REV

D.03.03.L60001_0

FRIZIONE FRENO

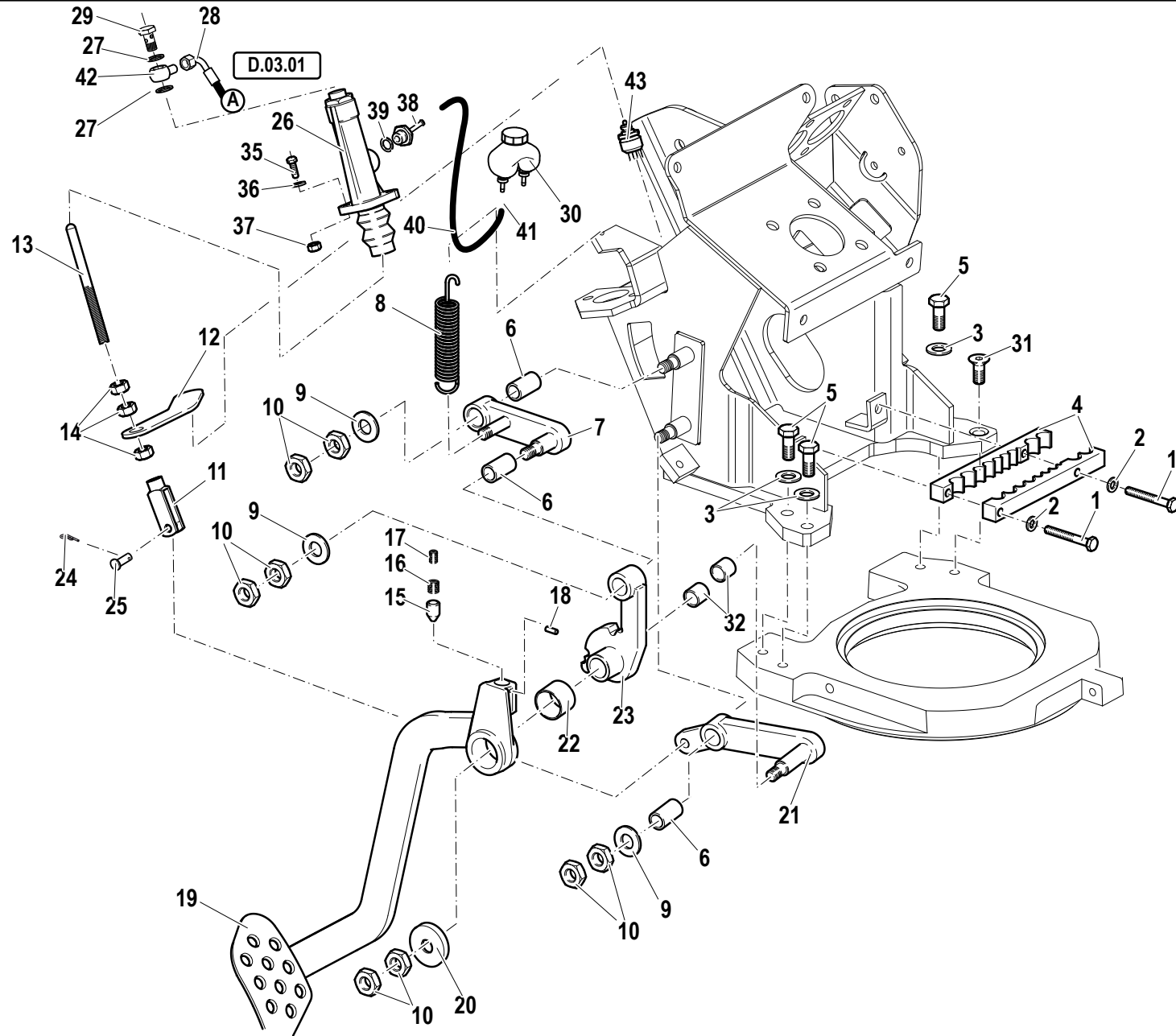


Pos.	Code	Q.ty	Description	Notes
35	58076871	1	FLEXIBLE HOSE	
36	58077212	1	FLEXIBLE HOSE	
37	58077213	1	FLEXIBLE HOSE	
38	F0835022000	1	NIPPLE	
39	F0843771000	1	COPPER WASHER 10,0x16/1	
40	58174547	1	NIPPLE	
41	59076505	1	PRESSURE PIPE	
42	F0852538010	1	PLUG	
43	F0843771000	1	COPPER WASHER 10,0x16/1	
44	59076504	1	PRESSURE PIPE	
45	58176869	1	SCREW	
46	F0843907000	2	COPPER WASHER 13,66x19/1,5	
47	59074623	1	PRESSURE PIPE	
48	58074558	1	PIPE FITTING	
49	F0843641000	1	COPPER WASHER 8x14/1,5	
50	F0862448100	1	SCREW M8X10 UNI 5740	
51	38110992	1	O-RING	
52	F0843109020	1	PIPE FITTING	
53	F0824110000	2	COPPER WASHER 3/8 GAS	
54	F0843107000	1	PIPE FITTING GAS 1/4	
55	58077116	1	FLEXIBLE HOSE	

SERIAL
END
913997

FRIZIONE FRENO
Hp 75

CODE REV
D.03.03.L60001_0



Pos.	Code	Q.ty	Description	Notes
1	31111097	2	SCREW TE M6X45 UNI 5737 8G	
2	F0843570000	2	WASHER 6	
3	F0843755000	3	WASHER 10	
4	56176142	2	COMB	
5	31112219	3	SCREW TE M10X25 UNI 5739	
6	58176268	3	BUSHING	
7	59077037	1	LEVER	
8	58077613	1	RESTORING SPRING	
9	31411105	3	WASHER 10,5x21	
10	F0814627000	8	NUT M10	
11	F0860060010	1	FORK	
12	56177088	1	PLATE	
13	56177071	1	CAP	
14	31211080	3	NUT M8	
15	56377332	1	PIN	
16	58070741	1	SPRING	
17	58077333	1	SPRING	
18	F0851032000	1	ROLL PIN 3,0X18 DIN 1481	
19	59076990	1	CLUTCH PEDAL	
20	56377095	1	THRUST PLATE	
21	59077035	1	LEVER	
22	58176267	1	BUSHING	
23	59077041	1	CONNECTING ROD	
24	F0810510000	1	SPLIT PIN A2,0X20 UNI 1336	
25	F0835523000	1	PIN	
26	58176237	1	PUMP	
27	F0843841000	2	COPPER WASHER 12,0x18/1,5	
28	58076330	1	FLEXIBLE HOSE	
29	F0843105000	1	PIPE FITTING 12x1,5	
30	P238176000000	1	TANK	
31	31133600	1	SCREW TSVEI M10X25 U5933	
32	30030060	2	BUSHING	
35	31112151	2	SCREW TE M8X25 UNI 5739 8G	
36	31211080	2	NUT M8	

SERIAL

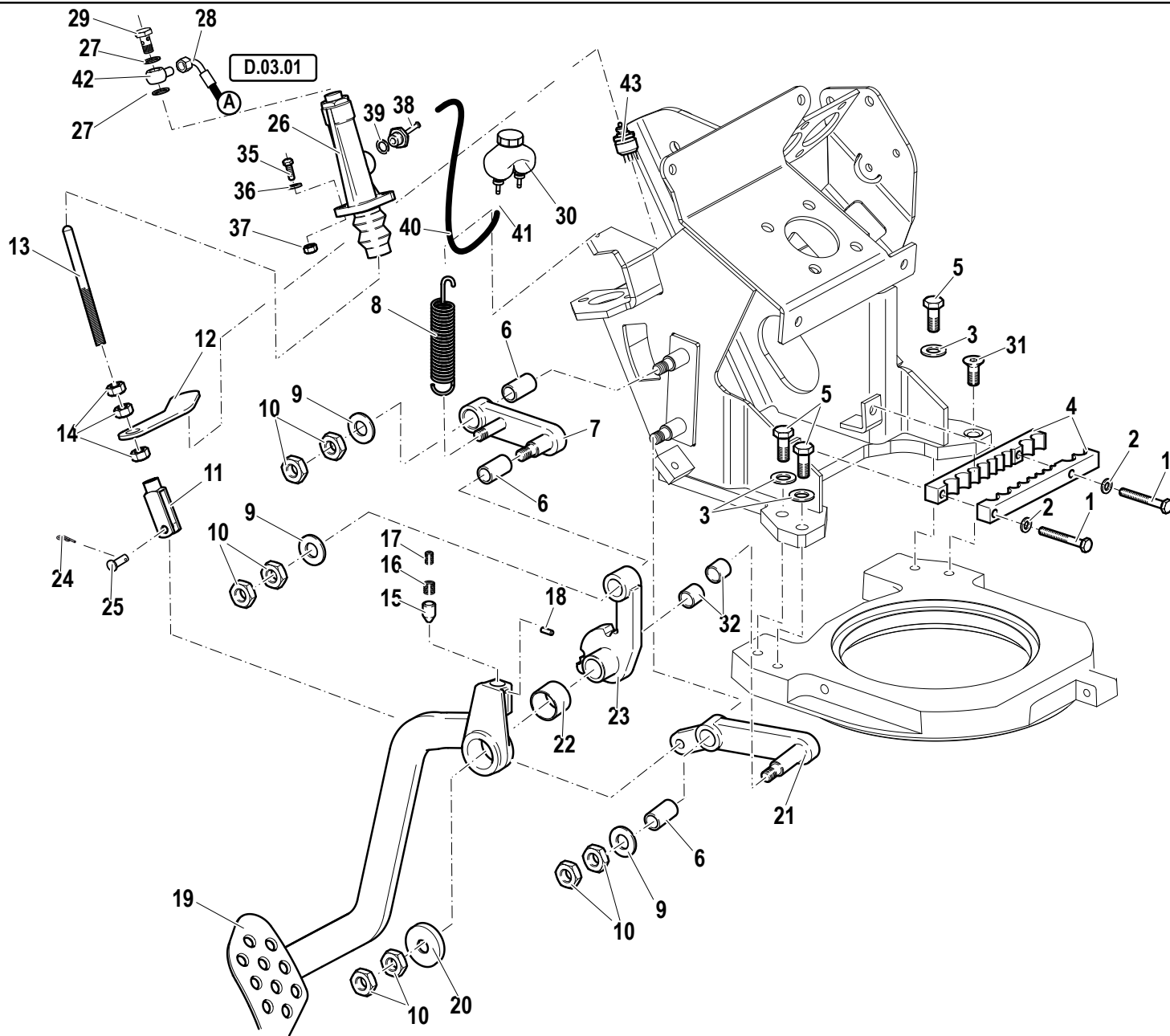
CLUTCH CONTROLS

Hp 75

CODE REV

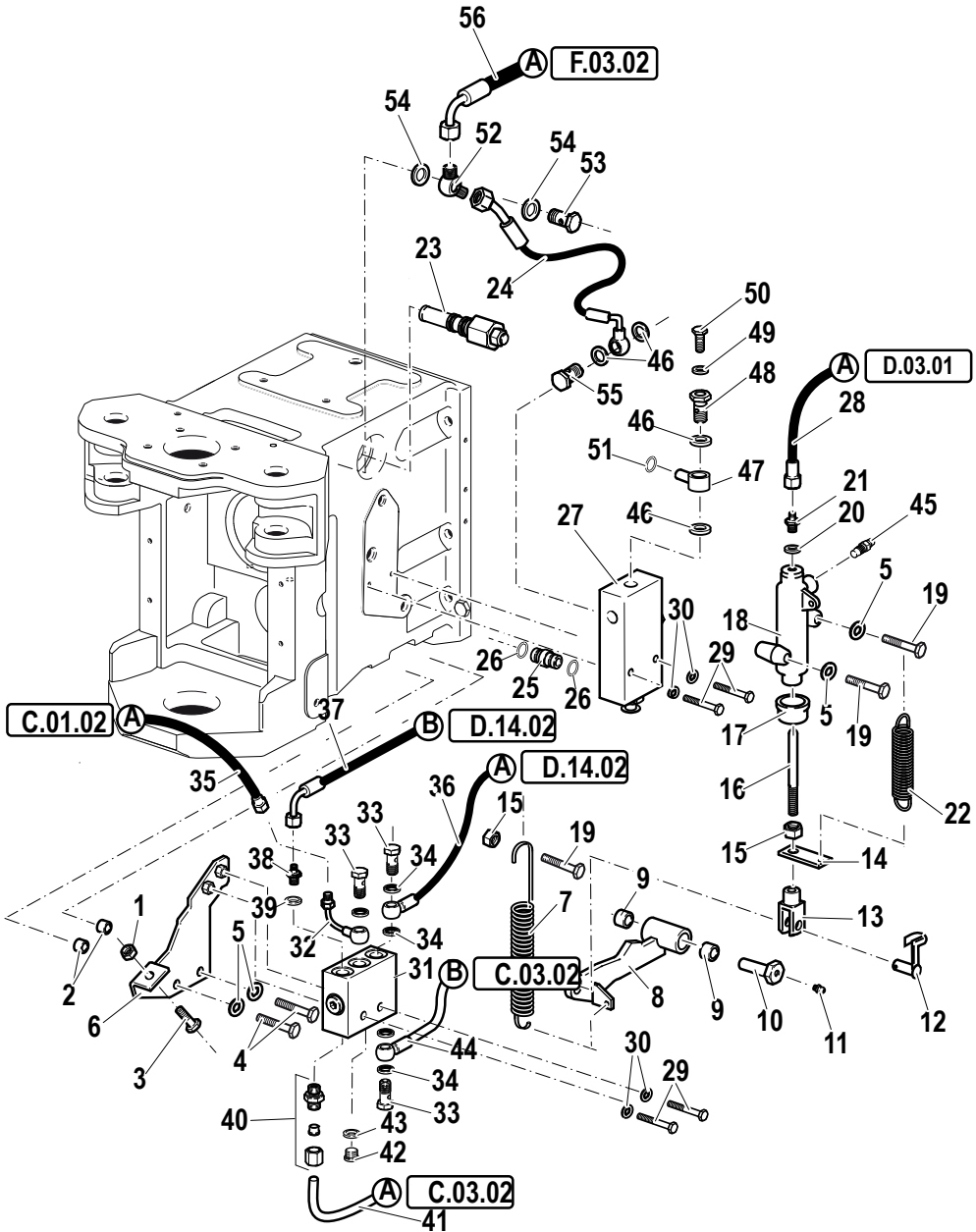
D.03.01.L60007_0

CLUTCH CONTROLS



Pos.	Code	Q.ty	Description	Notes
37	F0843643060	2	WASHER 8	
38	56176346	1	PIPE FITTING	
39	F0824113000	1	COPPER WASHER 18X24/1,5	
40	58077217	1	PIPE	
41	F0817500100	2	CLAMP 013,8-706R	
42	56176515	1	PIPE FITTING	
43	30000638	1	SWITCH	

FRIZIONE FRENO



D.03.03.L60001_1

Pos.	Code	Q.ty	Description	Notes
1	31211060	1	HEXAGONAL NUT M8	
2	56171996	2	SPACER	
3	31112093	2	SCREW TE M6X20	
4	31112152	2	SCREW TE M8X30 UNI 5739 8G	
5	F0843643060	4	WASHER 8	
6	59077042	1	FIXING BRACKET	
7	58077096	1	RESTORING SPRING	
8	59076154	1	ROCKER	
9	58173195	2	BUSHING	
10	56173684	1	PIN	
11	30000007	1	LUBRICATOR	
12	F0860058020	1	PIN	
13	F0860058010	1	FORK	
14	P439140000001	1	BRACKET	
15	F0814569000	1	NUT	
16	56177070	1	CAP	
17	P439243000000	1	GUARD	
18	58176238	1	ACTUATOR	
19	31112155	2	SCREW	
20	F0843841000	3	COPPER WASHER 12,0x18/1,5	
21	56176514	1	NIPPLE	
22	F0831125000	1	SPRING	
23	58177754	1	VALVE	
24	58079388	1	FLEXIBLE HOSE	
25	56170029	1	PIPE FITTING	
26	F0803057000	2	O-RING	
27	58173030	1	SWITCH	
28	58076330	1	FLEXIBLE HOSE	
29	F0862345000	2	SCREW M6X40 UNI 5737	
30	F0843581010	2	SPRING WASHER 6	
31	58176357	1	SMALL BLOCK	
32	59076502	1	PIPE	
33	56178695	1	THREADED TERMINAL END	
34	P254124000000	1	WASHER	

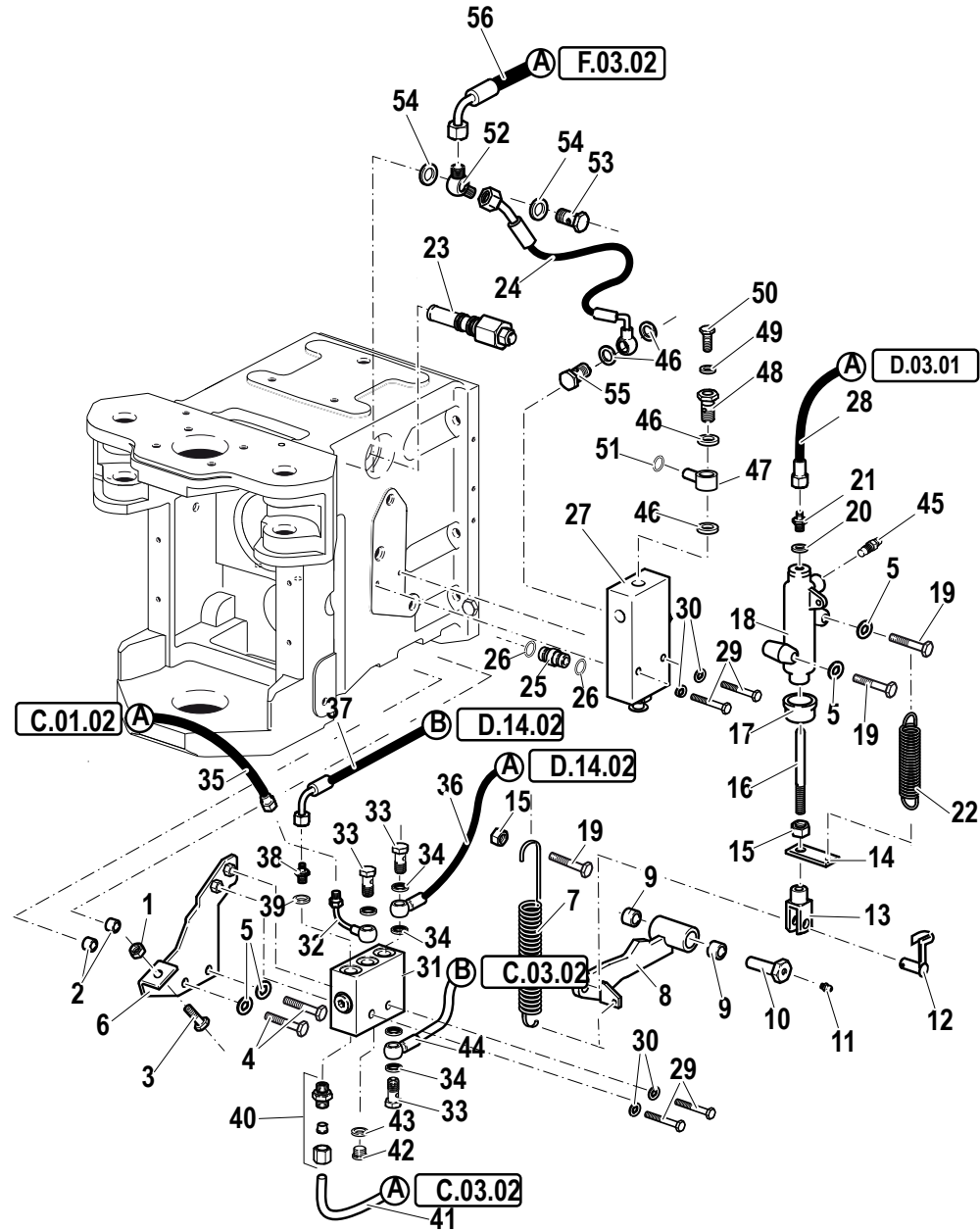
SERIAL
START
913998

FRIZIONE FRENO

Hp 75

CODE REV

D.03.03.L60001_1



Pos.	Code	Q.ty	Description	Notes
35	58076871	1	FLEXIBLE HOSE	
36	58077212	1	FLEXIBLE HOSE	
37	58077213	1	FLEXIBLE HOSE	
38	F0835022000	1	NIPPLE	
39	F0843771000	1	COPPER WASHER 10,0x16/1	
40	58174547	1	NIPPLE	
41	59076505	1	PRESSURE PIPE	
42	F0852538010	1	PLUG	
43	F0843771000	1	COPPER WASHER 10,0x16/1	
44	59076504	1	PRESSURE PIPE	
45	58176869	1	SCREW	
46	F0843907000	2	COPPER WASHER 13,66x19/1,5	
47	59074623	1	PRESSURE PIPE	
48	58074558	1	PIPE FITTING	
49	F0843641000	1	COPPER WASHER 8x14/1,5	
50	F0862448100	1	SCREW M8X10 UNI 5740	
51	38110992	1	O-RING	
52	59079389	1	EYELET	
53	F0843109020	1	PIPE FITTING	
54	F0824110000	2	COPPER WASHER 3/8 GAS	
55	F0843107000	1	PIPE FITTING GAS 1/4	
56	58077116	1	FLEXIBLE HOSE	

Pos.	Code	Q.ty	Description	Notes
11	30000007	1	LUBRICATOR	
3	31112093	2	SCREW TE M6X20	
4	31112152	2	SCREW TE M8X30 UNI 5739 8G	
19	31112155	2	SCREW	
1	31211060	1	HEXAGONAL NUT M8	
51	38110992	1	O-RING	
25	56170029	1	PIPE FITTING	
2	56171996	2	SPACER	
10	56173684	1	PIN	
21	56176514	1	NIPPLE	
16	56177070	1	CAP	
33	56178695	1	THREADED TERMINAL END	
48	58074558	1	PIPE FITTING	
28	58076330	1	FLEXIBLE HOSE	
35	58076871	1	FLEXIBLE HOSE	
7	58077096	1	RESTORING SPRING	
56	58077116	1	FLEXIBLE HOSE	
36	58077212	1	FLEXIBLE HOSE	
37	58077213	1	FLEXIBLE HOSE	
24	58079388	1	FLEXIBLE HOSE	
53	580A2705	1	PIPE FITTING	
27	58173030	1	SWITCH	
9	58173195	2	BUSHING	
40	58174547	1	NIPPLE	
18	58176238	1	ACTUATOR	
31	58176357	1	SMALL BLOCK	
45	58176869	1	SCREW	
23	58177754	1	VALVE	
8	59076154	1	ROCKER	
32	59076502	1	PIPE	
44	59076504	1	PRESSURE PIPE	
41	59076505	1	PRESSURE PIPE	
6	59077042	1	FIXING BRACKET	
52	59079389	1	EYELET	

SERIAL

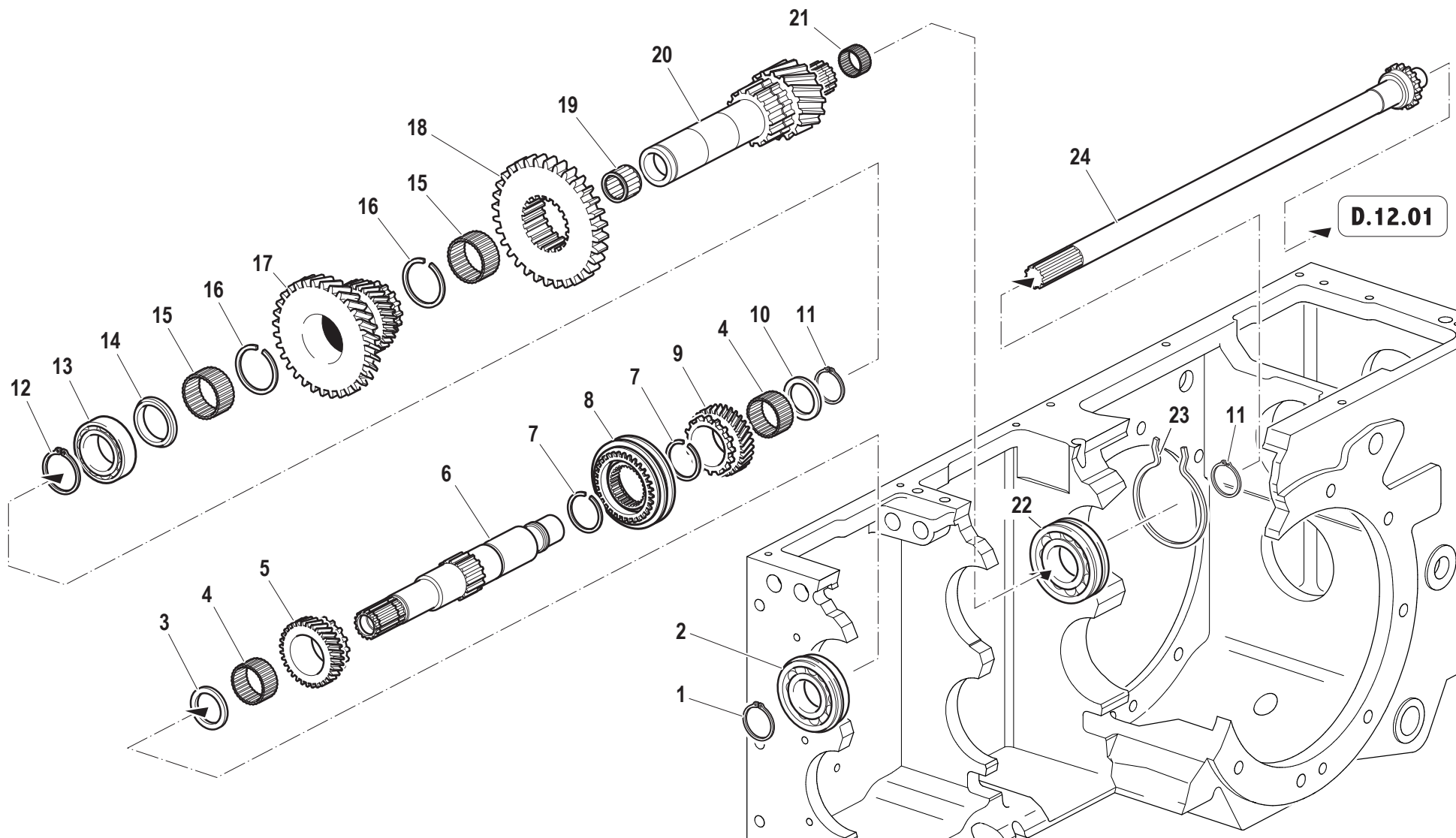
BRAKE CLUTCH

CODE REV

D.03.03.L60002_0

Pos.	Code	Q.ty	Description	Notes
47	590A2701	1	PRESSURE PIPE	
26	F0803057000	2	O-RING	
15	F0814569000	1	NUT	
54	F0824110000	2	COPPER WASHER 3/8 GAS	
22	F0831125000	1	SPRING	
38	F0835022000	1	NIPPLE	
55	F0843107000	1	PIPE FITTING GAS 1/4	
30	F0843581010	2	SPRING WASHER 6	
49	F0843641000	1	COPPER WASHER 8x14/1,5	
5	F0843643060	4	WASHER 8	
39	F0843771000	1	COPPER WASHER 10,0x16/1	
43	F0843771000	1	COPPER WASHER 10,0x16/1	
20	F0843841000	3	COPPER WASHER 12,0x18/1,5	
46	F0843907000	2	COPPER WASHER 13,66x19/1,5	
42	F0852538010	1	PLUG	
13	F0860058010	1	FORK	
12	F0860058020	1	PIN	
29	F0862345000	2	SCREW M6X40 UNI 5737	
34	P254124000000	1	WASHER	
14	P439140000001	1	BRACKET	
17	P439243000000	1	GUARD	

INPUT SHAFT / RANGES MAIN SHAFT / GEARS



Pos.	Code	Q.ty	Description	Notes
1	F0801264050	1	SEEGER RING	
2	F0812868000	1	BEARING 6307-NR	
3	56470110	1	SHIM	
4	F0812878040	2	ROLLER CAGE K 40X45/27	
5	52473838	1	DRIVEN GEAR	
6	56473818	1	SHAFT	
7	F0801331150	2	SAFETY RING	
8	58170279	1	LOCK SYNCHRONIZER	
9	52473839	1	GEAR	
10	56470139	1	SHIM	
11	35121040	1	SEEGER RING	
12	F0801353000	1	SEEGER RING	
13	37112501	1	BEARING	
14	56470111	1	SHIM	
15	F0812951200	2	ROLLER CAGE K 50X55/20 H	
16	F0801380100	2	SAFETY RING	
17	52474254	1	DOUBLE GEAR	
18	52470762	1	SLIDING GEAR	
19	F0812783000	1	ROLLER CAGE K 32X38/20	
20	52475073	1	OUTPUT SHAFT	
21	F0812660020	1	ROLLER CAGE K 22X26/17	
22	F0812918010	1	BEARING 6308-NR (40x90x23)	
23	58170130	1	CIRCLIP	
24	52473656	1	SHAFT	

SERIAL
END

913925

INPUT SHAFT / RANGES MAIN SHAFT / GEARS

Hp 75

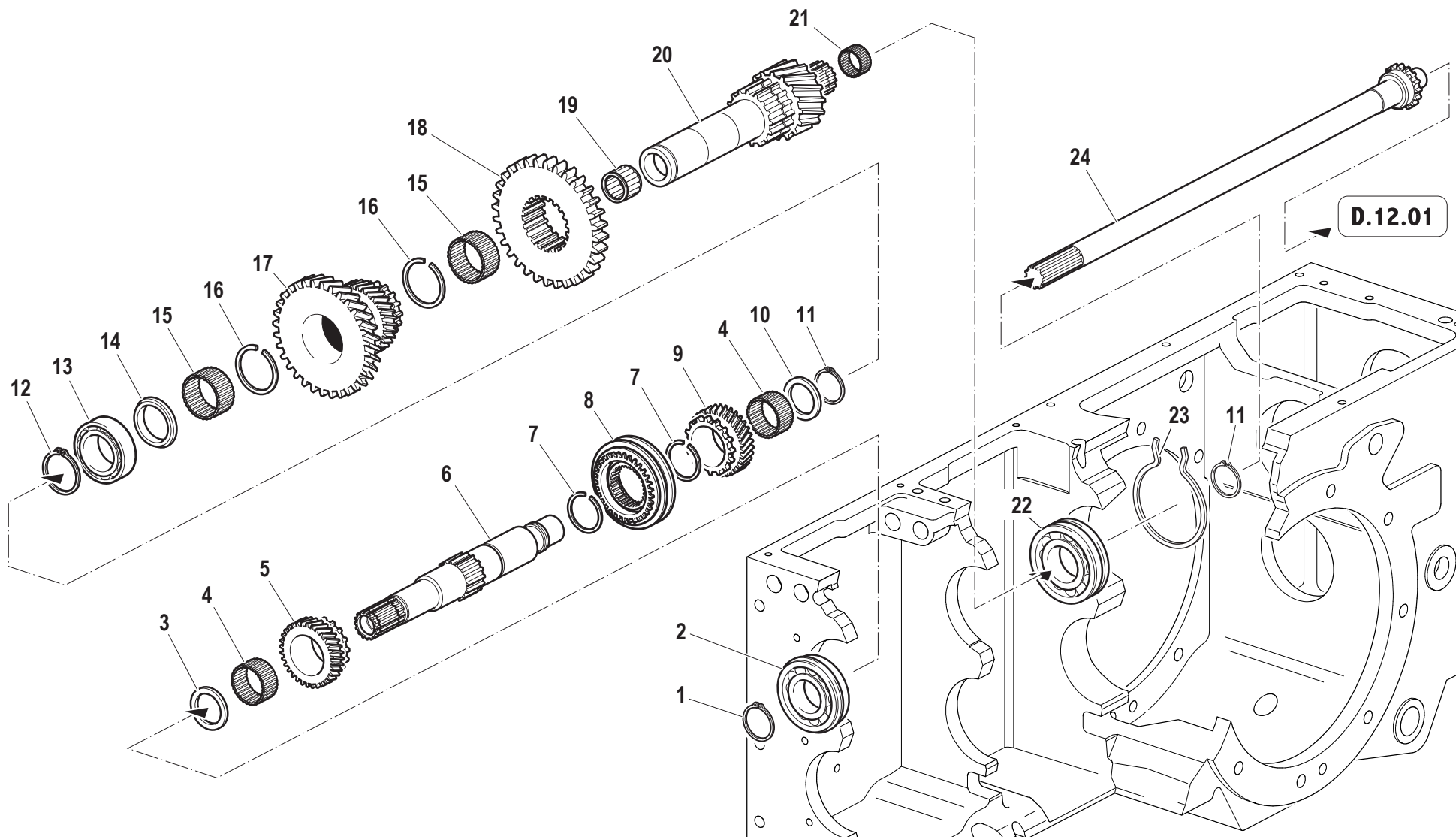
CODE REV

D.04.01.L60007_0

INPUT SHAFT / RANGES MAIN SHAFT / GEARS

SERIAL START 913926

D.04.01.L60007_1



D.12.01

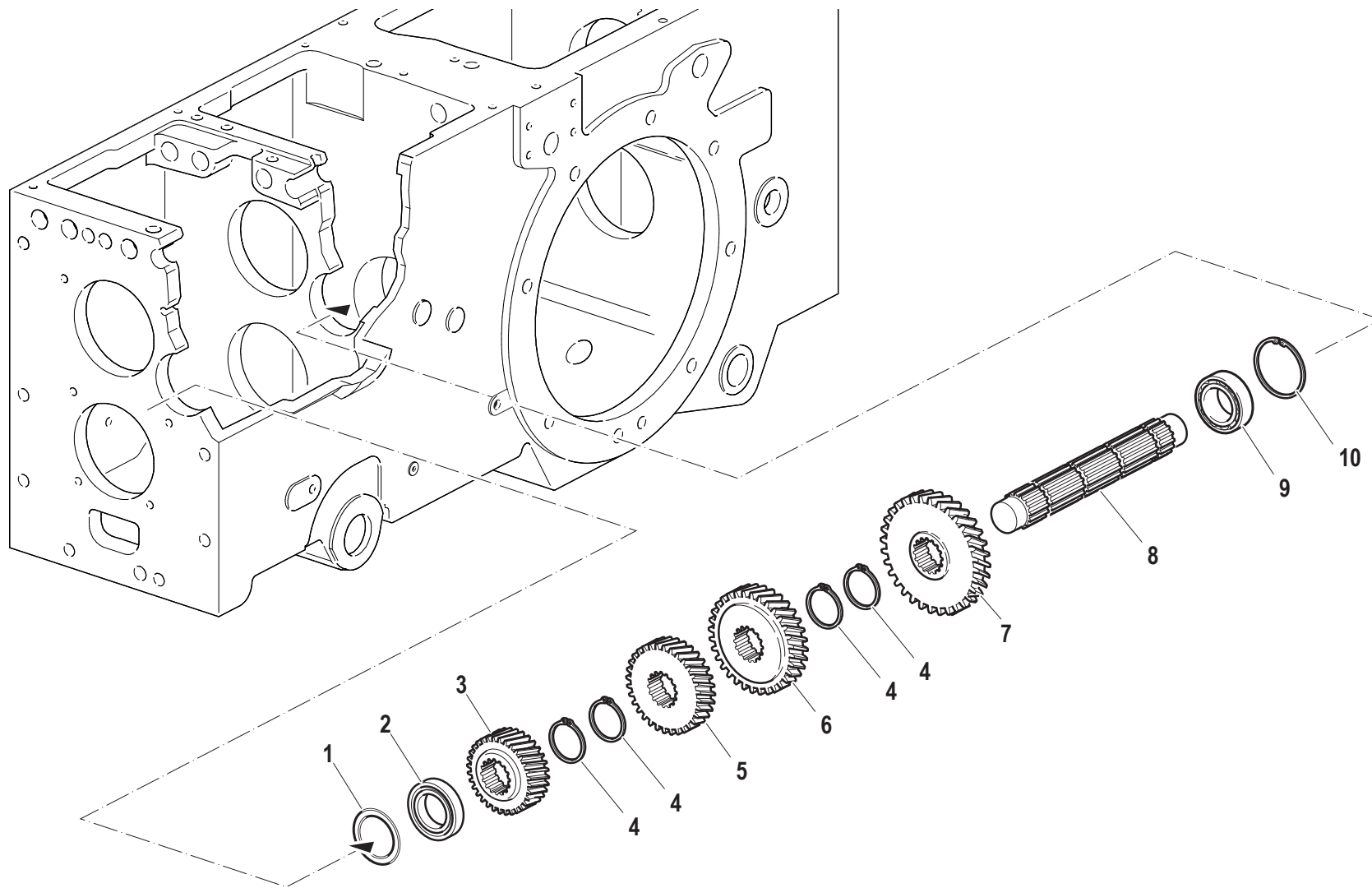
Pos.	Code	Q.ty	Description	Notes
1	F0801264050	1	SEEGER RING	
2	F0812868000	1	BEARING 6307-NR	
3	56470110	1	SHIM	
4	F0812878040	2	ROLLER CAGE K 40X45/27	
5	52473838	1	DRIVEN GEAR	
6	56473818	1	SHAFT	
7	F0801331150	2	SAFETY RING	
8	58170279	1	LOCK SYNCHRONIZER	
9	52473839	1	GEAR	
10	56470139	1	SHIM	
11	35121040	1	SEEGER RING	
12	F0801353000	1	SEEGER RING	
13	37112501	1	BEARING	
14	56470111	1	SHIM	
15	F0812951200	2	ROLLER CAGE K 50X55/20 H	
16	F0801380100	2	SAFETY RING	
17	52478618	1	DOUBLE GEAR	
18	52478619	1	GEAR	
19	F0812783000	1	ROLLER CAGE K 32X38/20	
20	52478620	1	OUTPUT SHAFT	
21	F0812660020	1	ROLLER CAGE K 22X26/17	
22	F0812918010	1	BEARING 6308-NR (40x90x23)	
23	58170130	1	CIRCLIP	
24	52473656	1	SHAFT	

SERIAL
START
913926

INPUT SHAFT / RANGES MAIN SHAFT / GEARS

Hp 75

CODE REV
D.04.01.L60007_1



Pos.	Code	Q.ty	Description	Notes
1	F0850100000		SHIM 41x51/0,2	
1	F0850100010		SHIM 41x51/0,3	
1	F0850100020		SHIM 41x51/0,5	
2	F0812708030	1	BEARING NJ 205E	
3	52473828	1	GEAR	
4	F0801241010	4	SEEGER RING	
5	52473829	1	GEAR	
6	52473830	1	GEAR	
7	52473831	1	GEAR	
8	52473827	1	OUTPUT SHAFT	
9	37111255	1	BEARING	
10	35111052	1	SEEGER RING	

SERIAL
END

913925

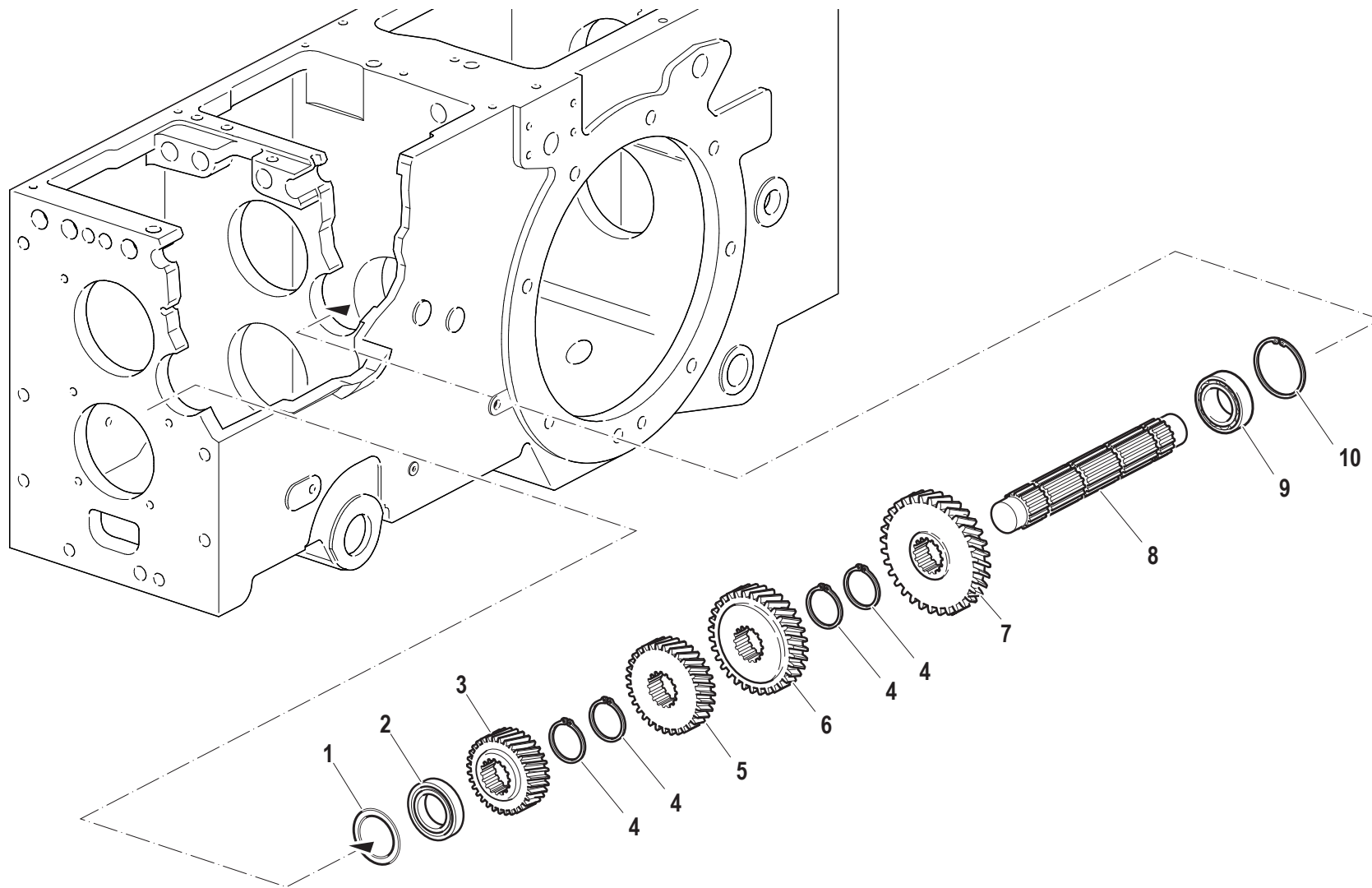
GEARS MAIN SHAFT / GEARS

Hp 75

CODE REV

D.05.01.L60007_0

GEARS MAIN SHAFT / GEARS



Pos.	Code	Q.ty	Description	Notes
1	F0850100000		SHIM 41x51/0,2	
1	F0850100010		SHIM 41x51/0,3	
1	F0850100020		SHIM 41x51/0,5	
2	F0812708030	1	BEARING NJ 205E	
3	52478612	1	GEAR	
4	F0801241010	4	SEEGER RING	
5	52473829	1	GEAR	
6	52473830	1	GEAR	
7	52473831	1	GEAR	
8	52473827	1	OUTPUT SHAFT	
9	37111255	1	BEARING	
10	35111052	1	SEEGER RING	

SERIAL
START
913926

GEARS MAIN SHAFT / GEARS

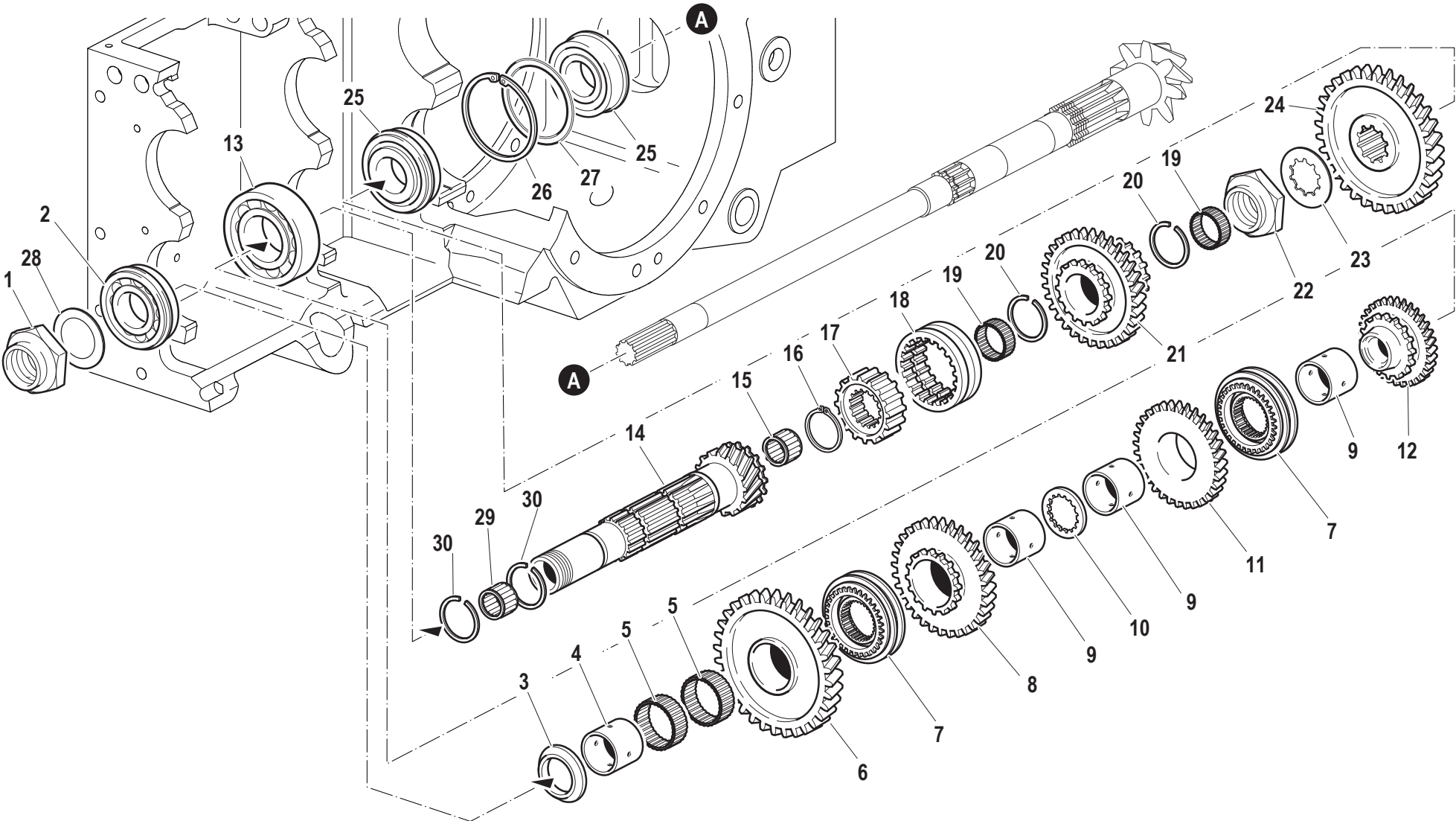
Hp 75

CODE REV
D.05.01.L60007_1

GEARS TRANSMISSION SHAFT / GEARS

SERIAL END 913925

D.06.01.L60007_0



D.06.01.L60007_0

Pos.	Code	Q.ty	Description	Notes
1	F0821054000	1	RING NUT KM 8(M40X1,5)DIN 981	
2	F0812899000	1	BEARING 6208-NR	
3	52473833	1	THRUST PLATE	058-06
4	56570219	1	BUSHING	058-06
5	F0812951070	2	ROLLER CAGE K 47X52/17 H	
6	52473834	1	DRIVEN GEAR	058-06
7	58171139	2	LOCK SYNCHRONIZER	
8	52473835	1	DRIVEN GEAR	
9	56470138	3	BUSHING	
10	56470137	1	SHIM	
11	52473836	1	DRIVEN GEAR	
12	52473837	1	DRIVEN GEAR	
13	F0812957000	1	BEARING 6210 (50/90/20)	
14	52475834	1	COUNTERSHAFT	058-06
15	F0812692015	1	ROLLER CAGE K 25X35/25	
16	35121035	1	SEEGER RING	
17	52470118	1	SLEEVE	
18	52470117	1	SLIDING SLEEVE	
19	F0812811000	2	ROLLER CAGE K 35X40/17	
20	F0801299100	2	SAFETY RING	
21	52474253	1	DOUBLE GEAR	058-06
22	56370761	1	RING NUT	058-06
23	56170760		RETAINING WASHER SP.1,0	
23	56174692		RETAINING WASHER SP.0,8	
23	56174693		RETAINING WASHER SP.0,9	
23	56174694		RETAINING WASHER SP.1,1	
23	56174695		RETAINING WASHER SP.1,2	
23	56175367		RETAINING WASHER SP.1,3	
24	52474252	1	DRIVEN GEAR	058-06
25	37221320	2	BEARING	
26	35111080	1	SEEGER RING	
27	56370089		RING	
27	56370127		RING	
27	56370128		RING	

SERIAL
END

913925

GEARS TRANSMISSION SHAFT / GEARS

Hp 75

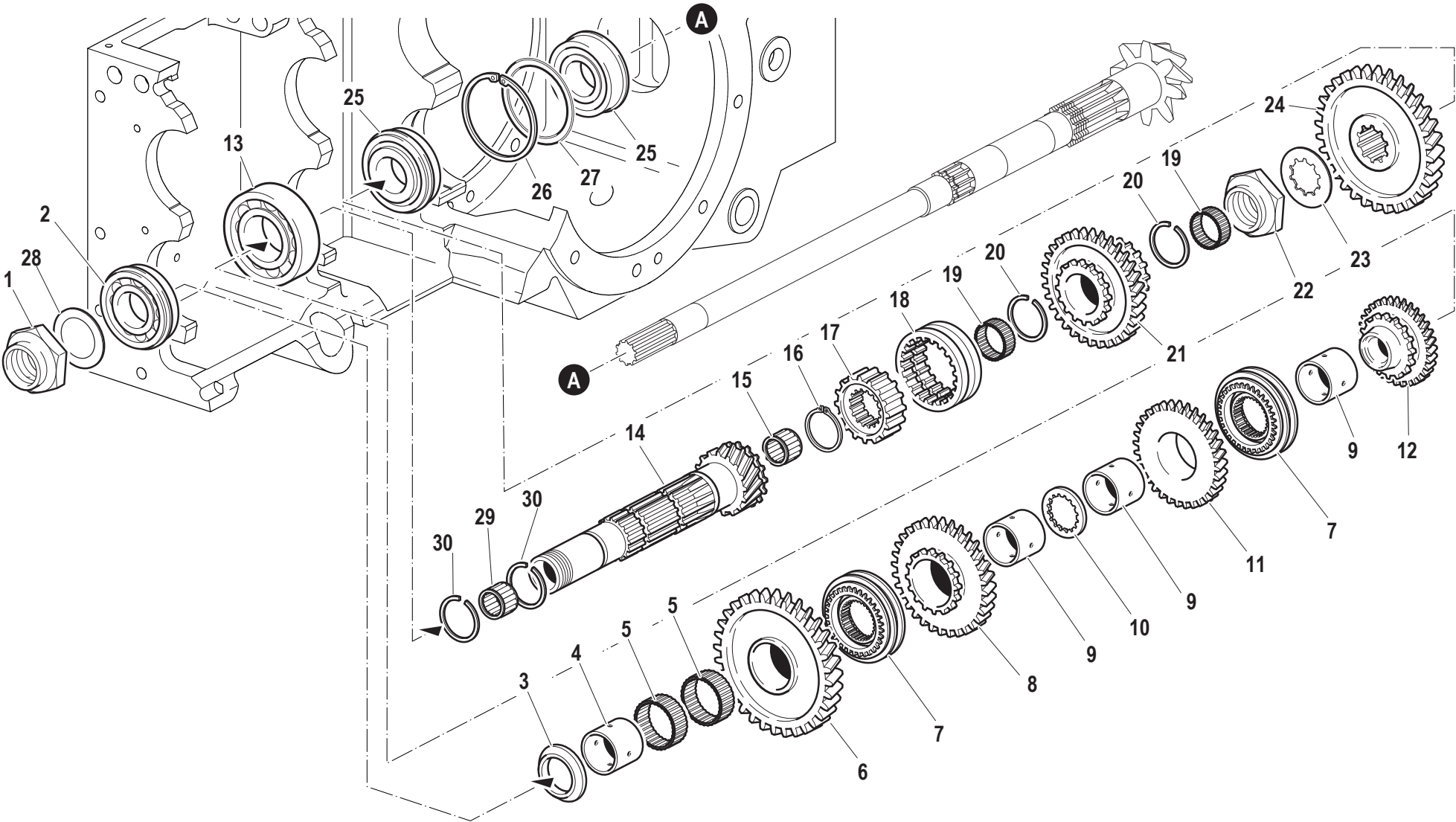
CODE REV

D.06.01.L60007_0

GEARS TRANSMISSION SHAFT / GEARS

SERIAL END 913925

D.06.01.L60007_0



D.06.01.L60007_0

Pos.	Code	Q.ty	Description	Notes
27	56370830		RING	
28	F0844539000	1	WASHER	
29	F0812689000	1	ROLLER CAGE K 25X30/20 H	
30	F0801241005	2	SAFETY RING	

SERIAL
END

913925

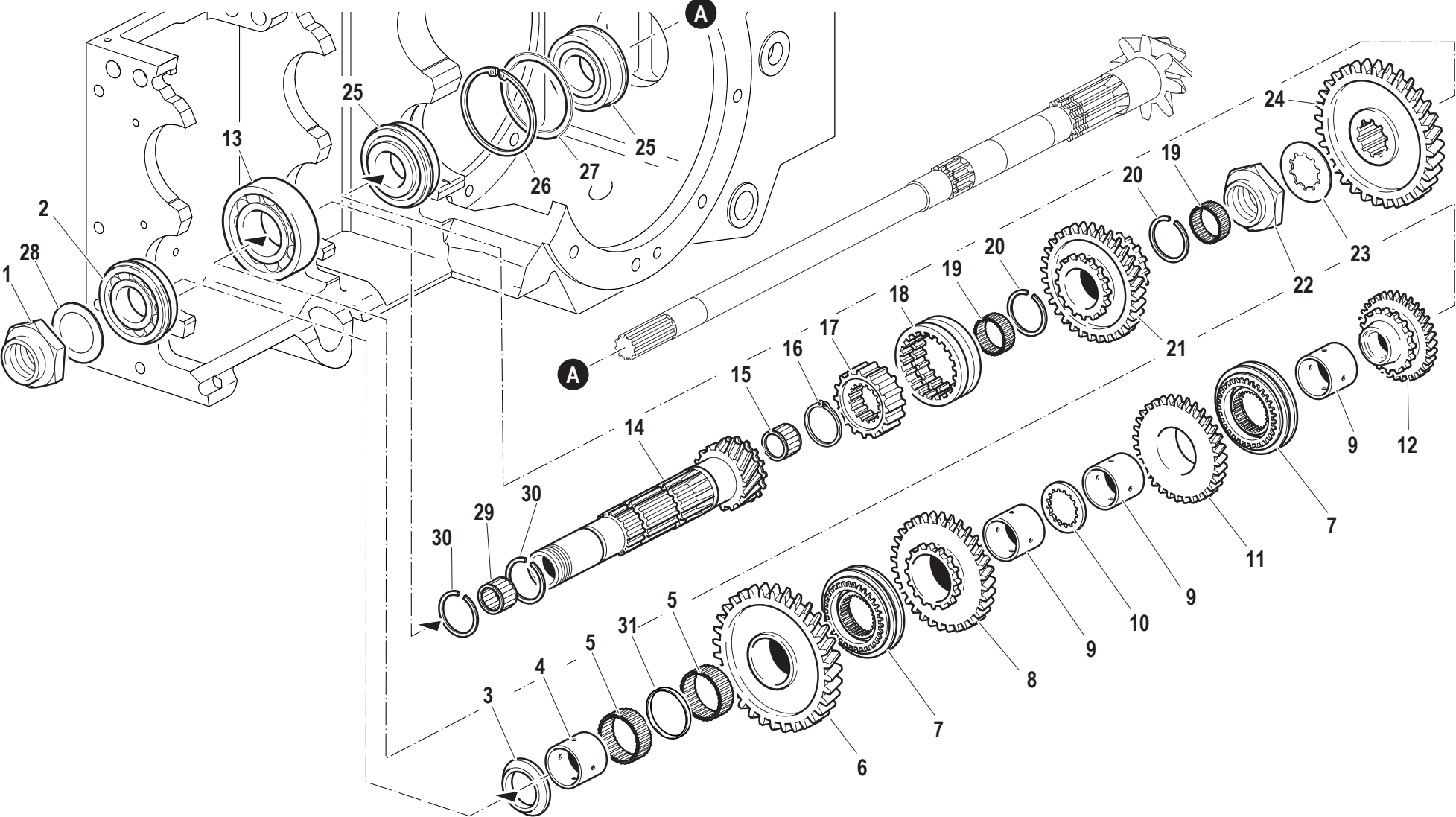
GEARS TRANSMISSION SHAFT / GEARS

Hp 75

CODE REV

D.06.01.L60007_0

GEARS TRANSMISSION SHAFT / GEARS



D.06.01.L60007_1

Pos.	Code	Q.ty	Description	Notes
1	F0821054000	1	RING NUT KM 8(M40X1,5)DIN 981	
2	F0812899000	1	BEARING 6208-NR	
3	52478611	1	SHIM	058-06
4	56578610	1	BUSHING	058-06
5	F0812951070	2	ROLLER CAGE K 47X52/17 H	
6	52478609	1	DRIVEN GEAR	058-06
7	58171139	2	LOCK SYNCHRONIZER	
8	52473835	1	DRIVEN GEAR	
9	56470138	3	BUSHING	
10	56470137	1	SHIM	
11	52473836	1	DRIVEN GEAR	
12	52473837	1	DRIVEN GEAR	
13	F0812957000	1	BEARING 6210 (50/90/20)	
14	52478613	1	COUNTERSHAFT	058-06
15	F0812692015	1	ROLLER CAGE K 25X35/25	
16	35121035	1	SEEGER RING	
17	52470118	1	SLEEVE	
18	52470117	1	SLIDING SLEEVE	
19	F0812811000	2	ROLLER CAGE K 35X40/17	
20	F0801299100	2	SAFETY RING	
21	52478615	1	DOUBLE GEAR	058-06
22	56378616	1	RING NUT	058-06
23	56170760		RETAINING WASHER SP.1,0	
23	56174692		RETAINING WASHER SP.0,8	
23	56174693		RETAINING WASHER SP.0,9	
23	56174694		RETAINING WASHER SP.1,1	
23	56174695		RETAINING WASHER SP.1,2	
23	56175367		RETAINING WASHER SP.1,3	
24	52478617	1	GEAR	058-06
25	37221320	2	BEARING	
26	35111080	1	SEEGER RING	
27	56370089		RING	
27	56370127		RING	
27	56370128		RING	

SERIAL
START
913926

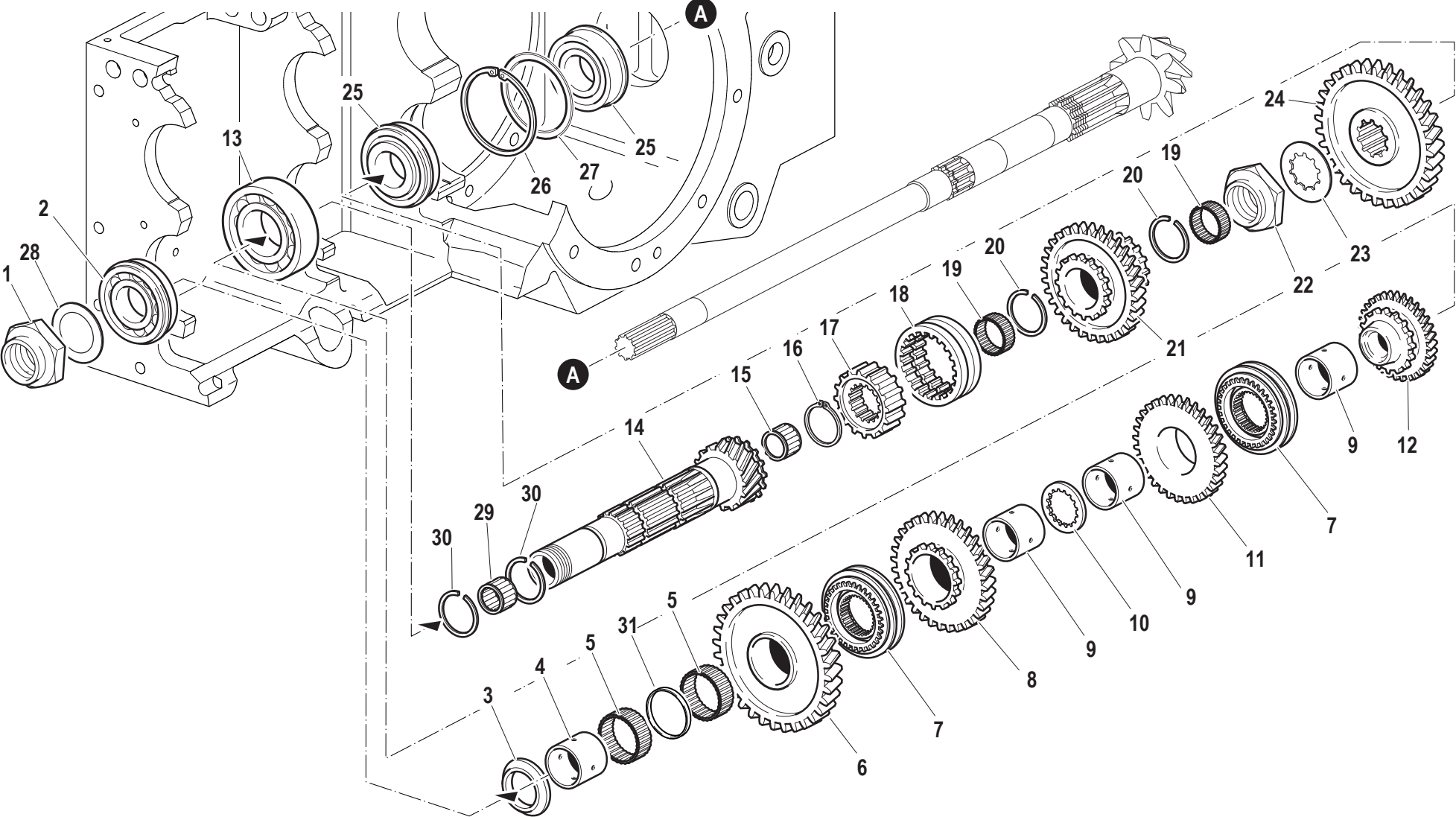
GEARS TRANSMISSION SHAFT / GEARS

Hp 75

CODE REV

D.06.01.L60007_1

GEARS TRANSMISSION SHAFT / GEARS



D.06.01.L60007_1

Pos.	Code	Q.ty	Description	Notes
27	56370830		RING	
28	F0844539000	1	WASHER	
29	F0812689000	1	ROLLER CAGE K 25X30/20 H	
30	F0801241005	2	SAFETY RING	
31	56278614	1	SPACER	058-06

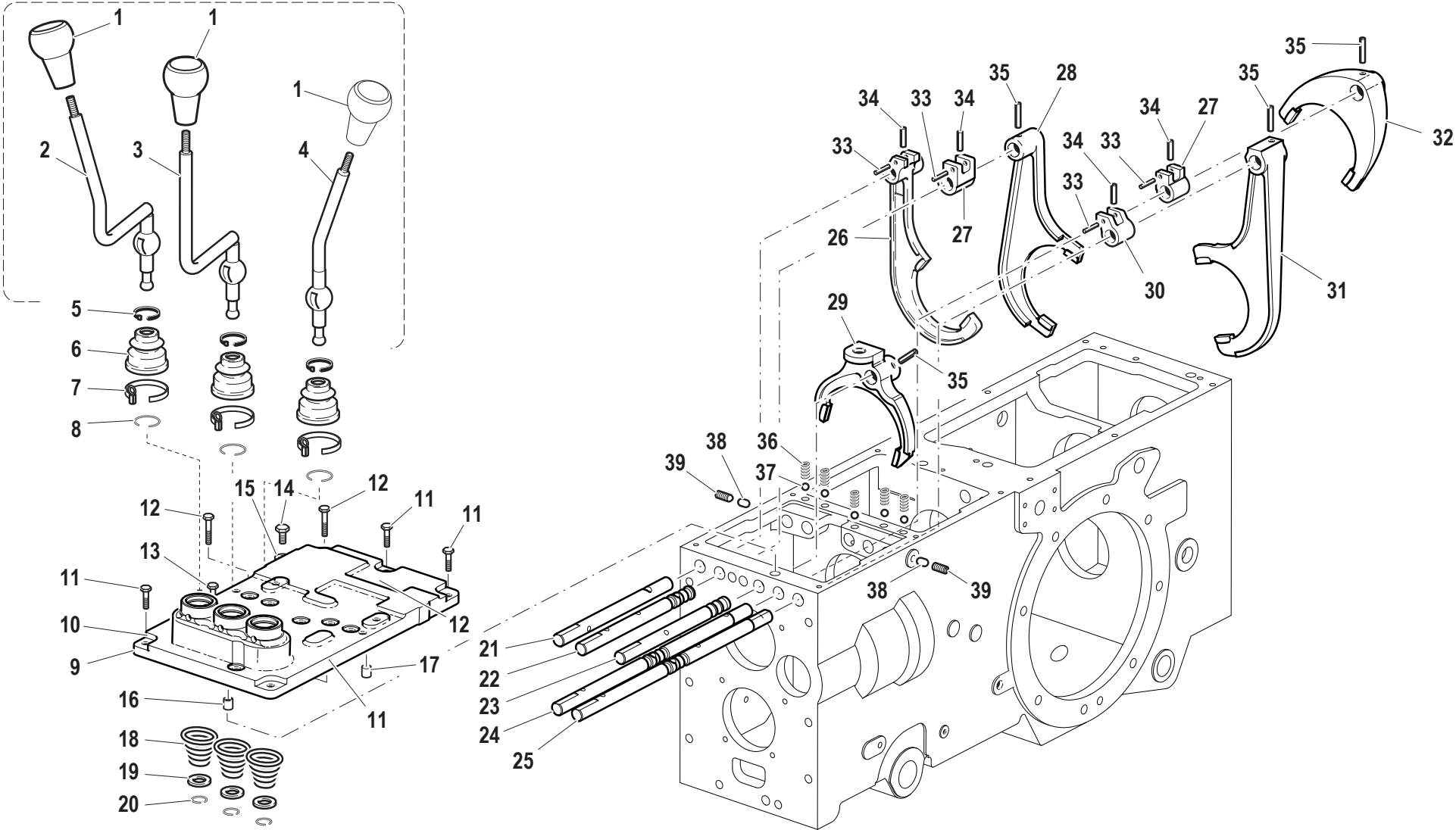
SERIAL
START
913926

GEARS TRANSMISSION SHAFT / GEARS

Hp 75

CODE REV

D.06.01.L60007_1



D.07.01.L60007_0

Pos.	Code	Q.ty	Description	Notes
1	58174192	3	HANDLE	
2	59075907	1	COMMAND LEVER	
3	59075908	1	COMMAND LEVER	
4	59075909	1	COMMAND LEVER	
5	F0817640003	3	CLAMP 4,8x180	
6	55170053	3	CAP	
7	58170054	3	COLLAR	
8	58070169	3	LOCKRING	
9	51175798	1	COVER	
10	56370018	6	HINGE PIN	
11	31112146	4	SCREW TE M8X22 UNI 5739 8G	
12	31112152	3	SCREW TE M8X30 UNI 5739 8G	
13	31112154	1	SCREW TE M8X40 UNI 5739 8G	
14	56370186	5	PLUG	
15	F0843771000	5	COPPER WASHER 10,0x16/1	
16	56170017	1	PIN	
17	56570016	1	CYLINDRICAL PLUG	
18	58070164	3	SPRING	
19	56370172	3	SPACER	
20	58070168	3	LOCKRING	
21	56375895	1	PULL ROD	
22	56375894	1	PULL ROD	
23	56370165	1	ROD	
24	56375893	1	PULL ROD	
25	56375891	1	PULL ROD	
26	52275889	1	GEAR FORK	
27	52375896	2	CATCH	
28	52272112	1	SELECTOR FORK	
29	52275888	1	SELECTOR FORK	
30	52375897	1	CATCH	
31	51273893	1	SELECTOR FORK	
32	51270771	1	SELECTOR FORK	
33	F0851156000	4	PIN 4X30 DIN 1481 CL:C72	
34	F0851262000	4	PIN 6X26 DIN 7343 CL:C72	

SERIAL
END

913925

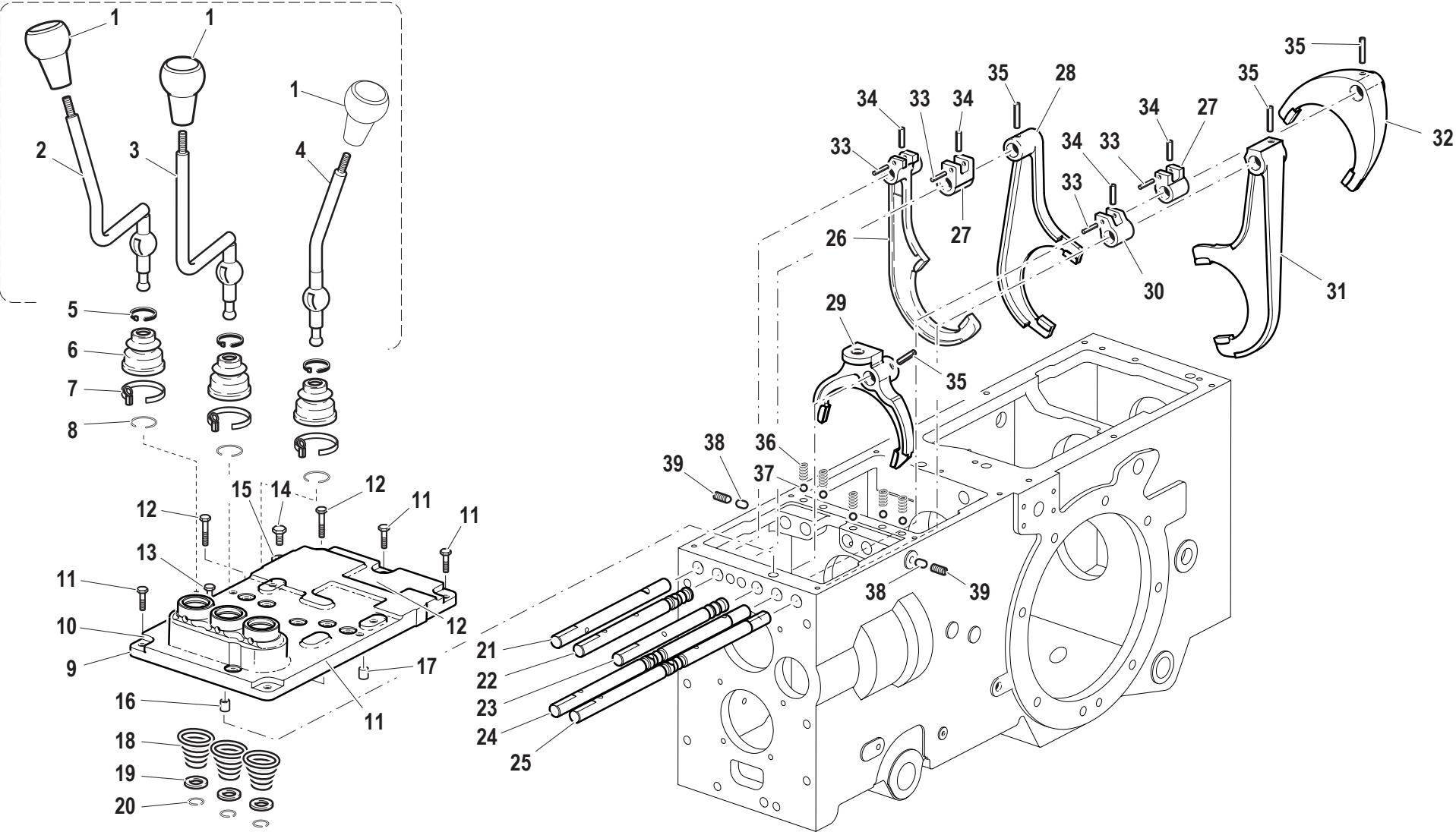
GEARBOX CONTROLS

Hp 75

CODE REV

D.07.01.L60007_0

GEARBOX CONTROLS



D.07.01.L60007_0

Pos.	Code	Q.ty	Description	Notes
35	F0851267050	3	PIN 6X30 DIN 7343 CL:C72	
36	58070741	5	SPRING	
37	F0847434000	5	BALL	
38	56570125	2	TOGGLE	
39	F0863183000	2	SCREW M10X16 UNI 5923	

SERIAL
END

913925

GEARBOX CONTROLS

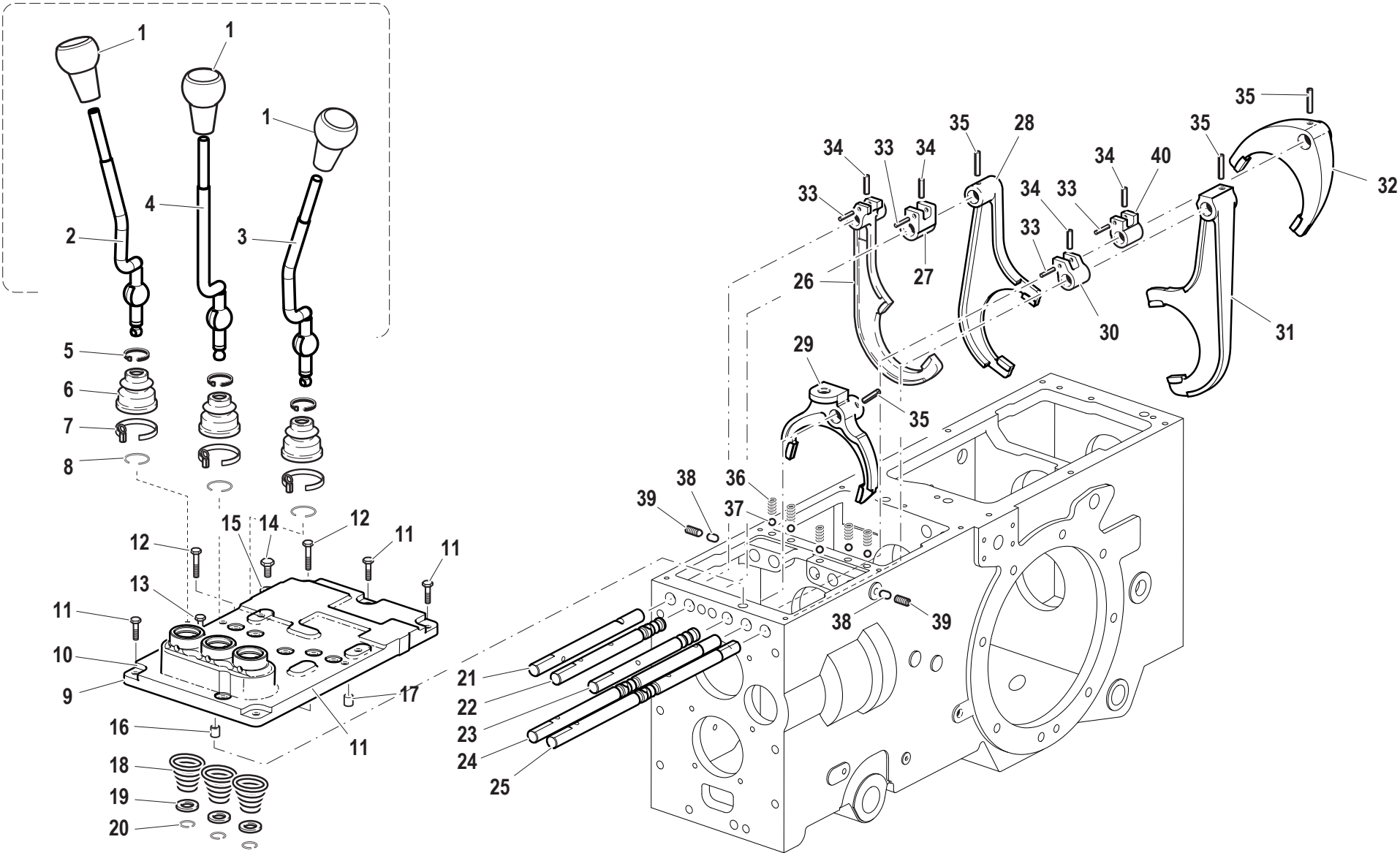
Hp 75

CODE REV

D.07.01.L60007_0

GEARBOX CONTROLS

SERIAL START 913926



D.07.01.L60007_1

Pos.	Code	Q.ty	Description	Notes
1	58174192	3	HANDLE	
2	59078624	1	COMMAND LEVER	
3	59075908	2	COMMAND LEVER	
4	59075909	1	COMMAND LEVER	
5	F0817640003	3	CLAMP 4,8x180	
6	55170053	3	CAP	
7	58170054	3	COLLAR	
8	58070169	3	LOCKRING	
9	51178808	1	GEARBOX HOUSING COVER	
10	56370018	6	HINGE PIN	
11	31112146	4	SCREW TE M8X22 UNI 5739 8G	
12	31112152	3	SCREW TE M8X30 UNI 5739 8G	
13	31112154	1	SCREW TE M8X40 UNI 5739 8G	
14	56370186	5	PLUG	
15	F0843771000	5	COPPER WASHER 10,0x16/1	
16	56170017	1	PIN	
17	56570016	1	CYLINDRICAL PLUG	
18	58070164	3	SPRING	
19	56370172	3	SPACER	
20	58070168	3	LOCKRING	
21	56375895	1	PULL ROD	
22	56375894	1	PULL ROD	
23	56370165	1	ROD	
24	56378622	1	PULL ROD	
25	56378630	1	PULL ROD	
26	52275889	1	GEAR FORK	
27	52375896	1	CATCH	
28	52272112	1	SELECTOR FORK	
29	52275888	1	SELECTOR FORK	
30	52378629	1	CATCH	
31	51278623	1	SELECTOR FORK	
32	51270771	1	SELECTOR FORK	
33	F0851156000	4	PIN 4X30 DIN 1481 CL:C72	
34	F0851262000	4	PIN 6X26 DIN 7343 CL:C72	

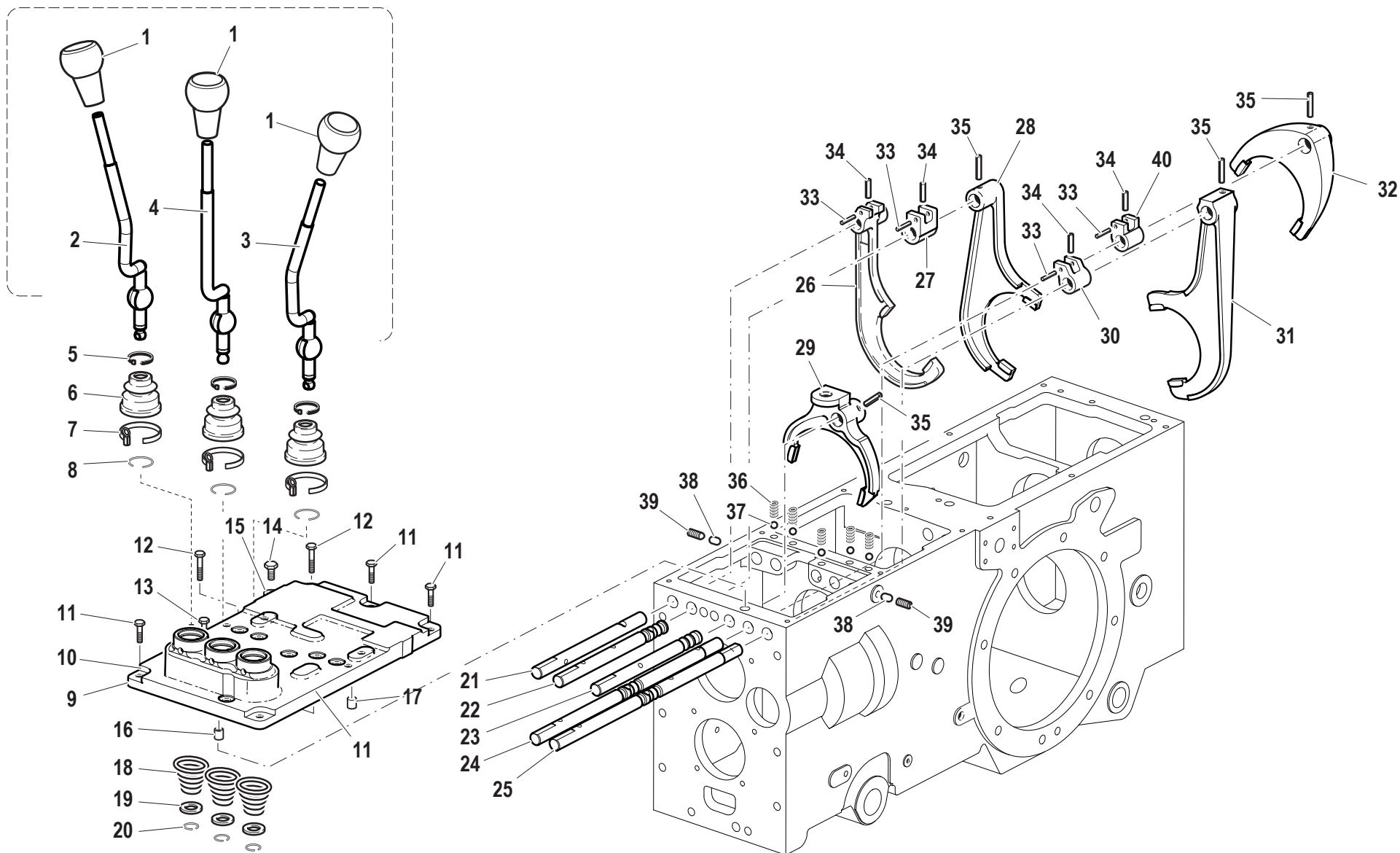
SERIAL
START
913926

GEARBOX CONTROLS

Hp 75

CODE REV

D.07.01.L60007_1



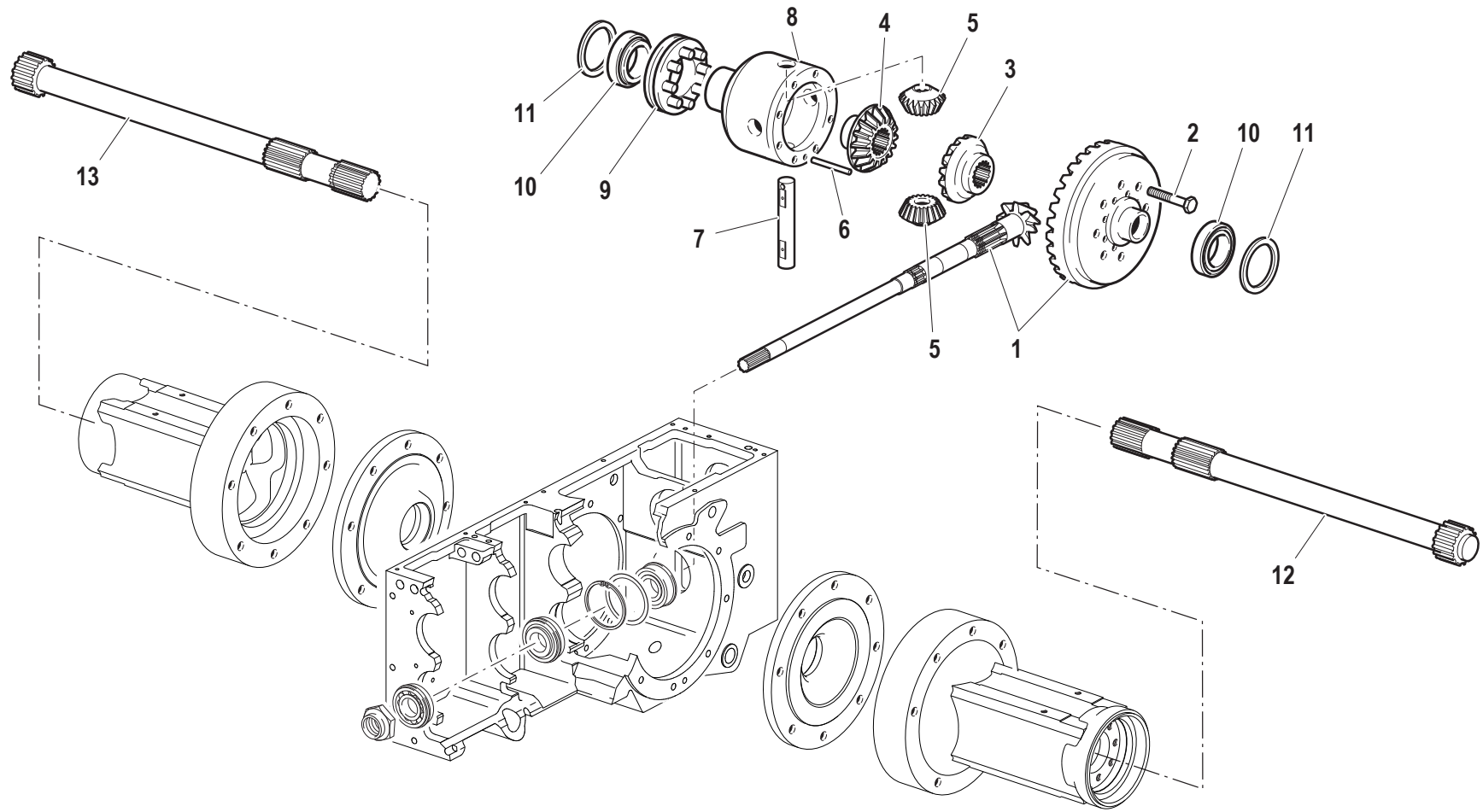
Pos.	Code	Q.ty	Description	Notes
35	F0851267050	3	PIN 6X30 DIN 7343 CL:C72	
36	58070741	5	SPRING	
37	F0847434000	5	BALL	
38	56570125	2	TOGGLE	
39	F0863183000	2	SCREW M10X16 UNI 5923	
40	52378628	1	CATCH	

SERIAL
START
913926

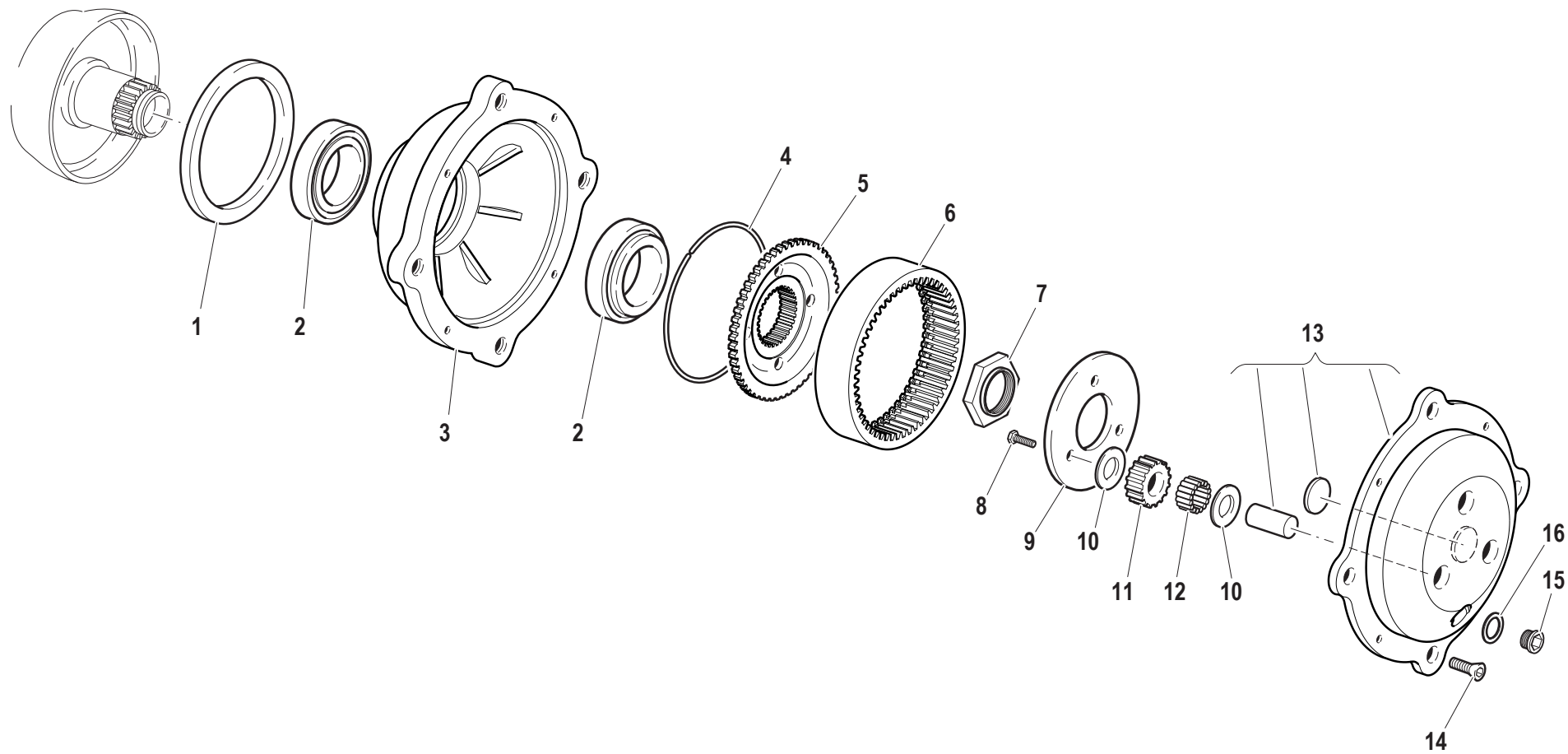
GEARBOX CONTROLS

Hp 75

CODE REV
D.07.01.L60007_1



Pos.	Code	Q.ty	Description	Notes
1	59376016	1	BEVEL GEAR	
2	F0863311250	8	SCREW M10x1,5x32	
3	52470062	1	PINION	
4	52470061	1	PINION	
5	52470067	2	DIFFERENTIAL PINION	
6	56371037	1	PIN	
7	56471036	1	PIN	
8	51371035	1	HOUSING	
9	59070065	1	SLEEVE	
10	F0812956000	2	BEARING 32010 X/Q	
11	56370089		RING	
11	56370127		RING	
11	56370128		RING	
11	56370830		RING	
12	56475857	1	REAR AXLE SHAFT	
13	56475858	1	REAR AXLE SHAFT	



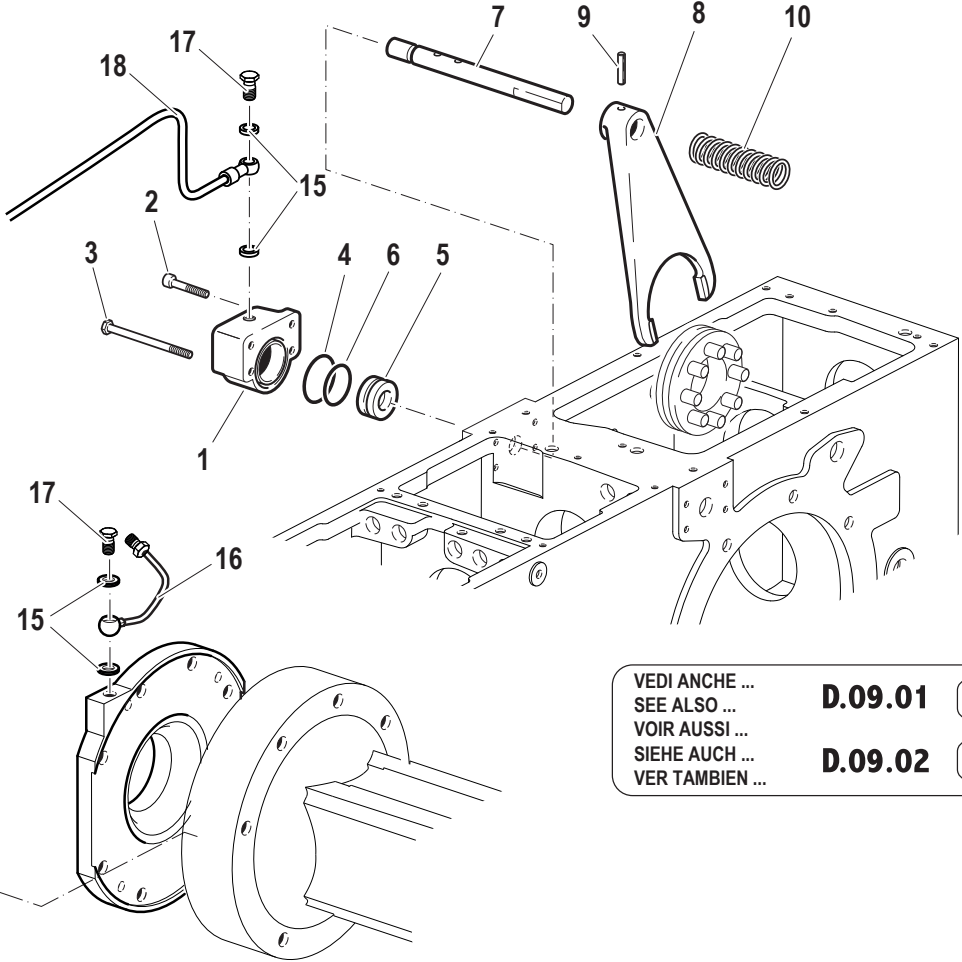
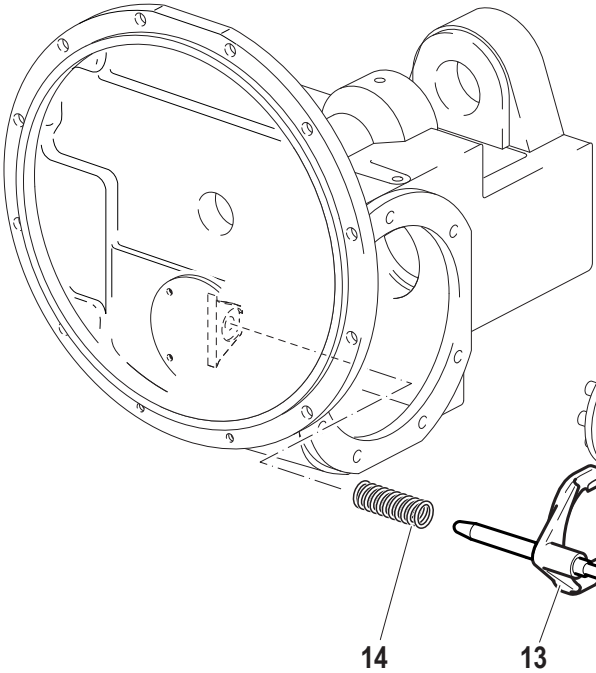
Pos.	Code	Q.ty	Description	Notes
1	F0802700150	2	SEAL 125x150x12	
2	F0812975250	4	CYL. ROLLER BEARING 32013X	
3	51172005	2	HUB	
4	58070071	2	RING	
5	52370075	2	FLANGE	
6	52370072	2	CROWN WHEEL	
7	56370079	2	RING NUT	
8	F0862478070	6	SCREW M8x16	
9	56170074	2	ADJUSTING RING	
10	56370076	12	SHIM	
11	52470087	6	PLANETARY GEAR	
12	58170070	6	ROLLER BEARING	
13	59070094	2	COVER	
14	F0862655000	8	SCREW M8X25-5933	
15	56370081	2	PLUG	
16	F0844273090	2	GASKET 22X28X1,5 CU 99,5	

BLOCCAGGIO DIFFERENZIALE

SERIAL END 907754

VEDI ANCHE ...
SEE ALSO ...
VOIR AUSSI ...
SIEHE AUCH ...
VER TAMBIEN ...

D.01.01 **RS** **MT**
D.01.02 **AR**



VEDI ANCHE ...
SEE ALSO ...
VOIR AUSSI ...
SIEHE AUCH ...
VER TAMBIEN ...

D.09.01 **RS** **MT**
D.09.02 **AR**

Pos.	Code	Q.ty	Description	Notes
1	52376153	1	SMALL BLOCK	021/05
2	31152085	2	SCREW TCEI M8X25 UNI 5931	
3	31112161	2	SCREW TE M8X50 UNI 5737 8G	
4	F0803209000	1	O-RING	
5	56370187	1	PISTON	
6	58170195	2	GASKET	
7	56376256	1	LOCKING DEVICE	
8	51278573	1	FORK	
9	F0851267050	1	PIN 6X30 DIN 7343 CL:C72	
10	58070198	1	SPRING	
11	56370583	1	PISTON	
13	59375869	1	SELECTOR FORK	
14	58070205	1	SPRING	
15	P254124000000	4	WASHER	
16	59076501	1	PIPE	
17	56178695	2	THREADED TERMINAL END	
18	59076215	1	PIPE	
19	56176127	1	BUSHING	
20	34213054	1	ROLL PIN	

SERIAL
END
907754

BLOCCAGGIO DIFFERENZIALE

Hp 75

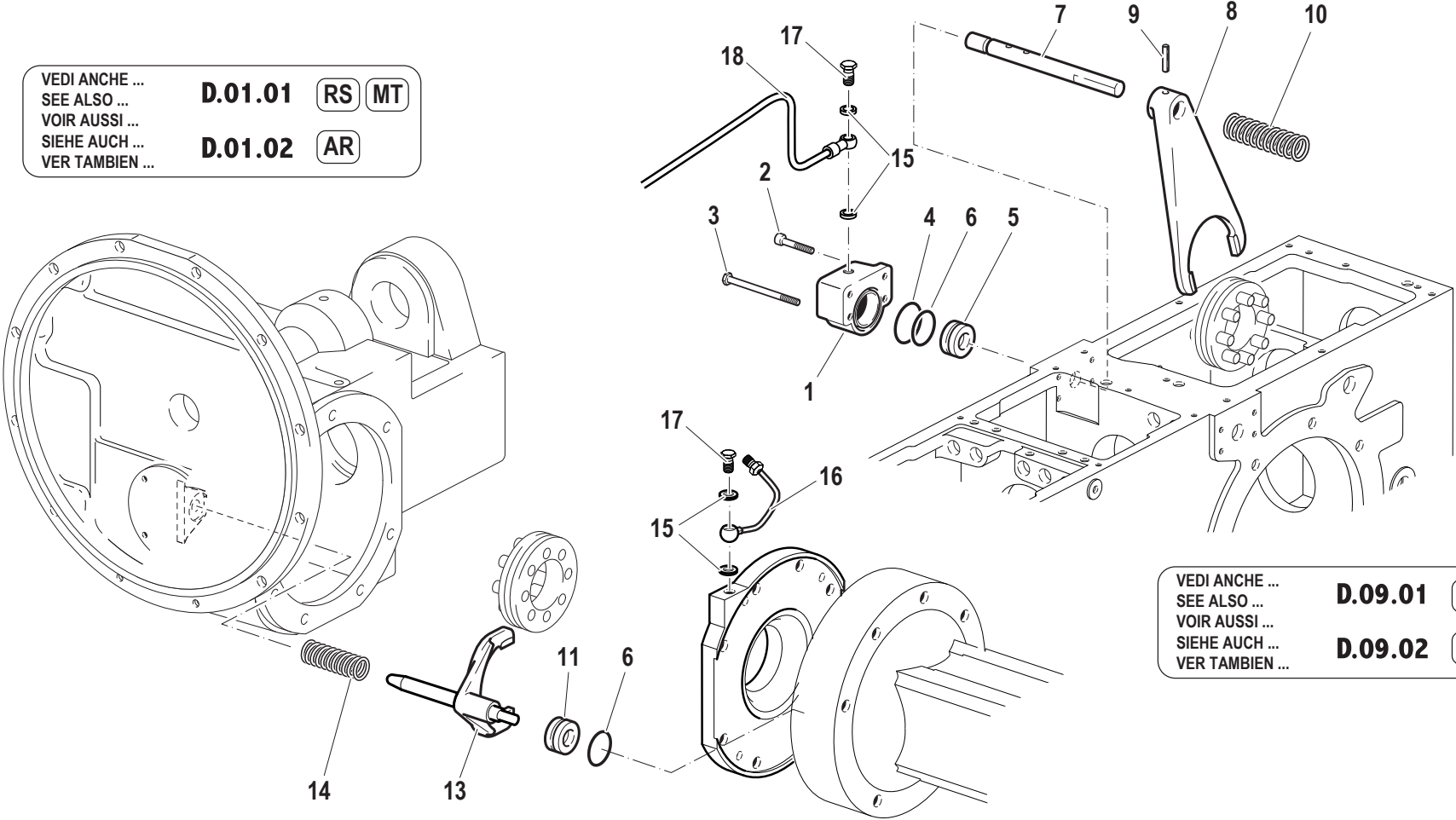
CODE REV
D.11.01.L60007_0

BLOCCAGGIO DIFFERENZIALE

SERIAL START 907755

VEDI ANCHE ...
SEE ALSO ...
VOIR AUSSI ...
SIEHE AUCH ...
VER TAMBIEN ...

D.01.01 **RS** **MT**
D.01.02 **AR**



VEDI ANCHE ...
SEE ALSO ...
VOIR AUSSI ...
SIEHE AUCH ...
VER TAMBIEN ...

D.09.01 **RS** **MT**
D.09.02 **AR**

Pos.	Code	Q.ty	Description	Notes
1	52378576	1	LOCKING MECHANISM	062/06
2	31152085	2	SCREW TCEI M8X25 UNI 5931	
3	31112161	2	SCREW TE M8X50 UNI 5737 8G	
4	F0803209000	1	O-RING	
5	56370187	1	PISTON	
6	58170195	2	GASKET	
7	56376256	1	LOCKING DEVICE	
8	51278573	1	FORK	
9	F0851267050	1	PIN 6X30 DIN 7343 CL:C72	
10	58070198	1	SPRING	
11	56370583	1	PISTON	
13	59375869	1	SELECTOR FORK	
14	58070205	1	SPRING	
15	P254124000000	4	WASHER	
16	59076501	1	PIPE	
17	56178695	2	THREADED TERMINAL END	
18	59076215	1	PIPE	
19	56176127	1	BUSHING	
20	34213054	1	ROLL PIN	

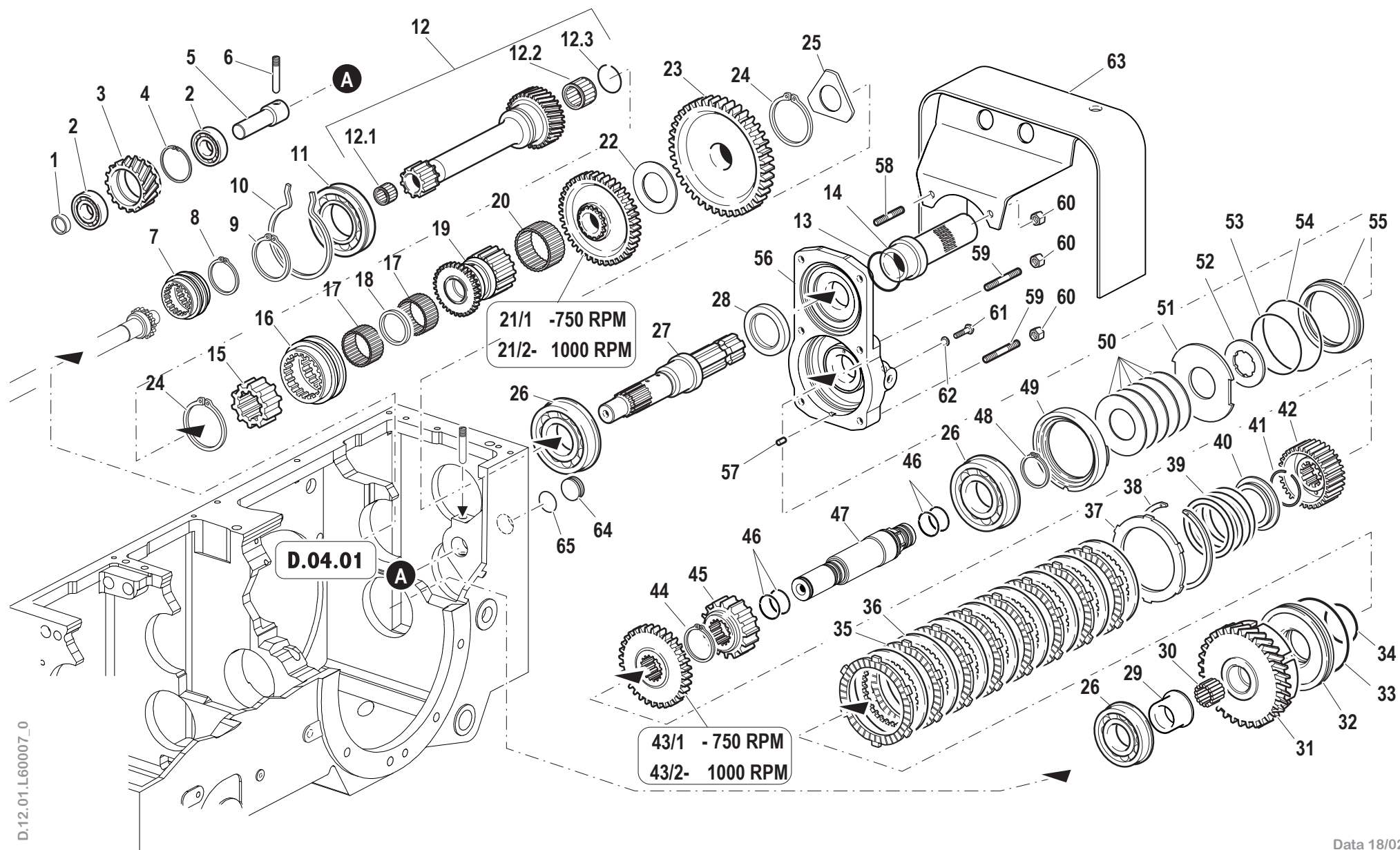
SERIAL
START
907755

BLOCCAGGIO DIFFERENZIALE

Hp 75

CODE REV

D.11.01.L60007_1



Pos.	Code	Q.ty	Description	Notes
1	56171572	1	SPACER	
2	F0812637000	2	BEARING 6204 (20x47x14)	
3	52476868	1	INTERMEDIATE WHEEL	
4	35111047	1	SEEGER RING	
5	56174108	1	GEAR PIN	
6	56370178	1	SCREW	
7	52470298	1	SLEEVE	
8	35121040	1	SEEGER RING	
9	F0801353000	1	SEEGER RING	
10	58170130	1	CIRCLIP	
11	F0812957010	1	BEARING 6210-N (50/90/20)	
12	59900376	1	PTO SHAFT	
13	P470433000000	1	PROTECTIVE RING	
14	P470330000000	1	GUARD	
15	52476068	1	SLEEVE	
16	52476062	1	SHIFTING CLAW	
17	F0812784000	2	ROLLER CAGE K 32X37/27 H	
18	56076074	1	SPACER	
19	52476067	1	SLEEVE	
20	F0812951300	1	ROLLER CAGE K 50X55/27 H	
22	56475568	1	SHIM	
23	52475991	1	DRIVEN GEAR	
24	F0801244080	2	SEEGER RING	
25	56476073	1	SHIM	
26	F0812918010	3	BEARING 6308-NR (40x90x23)	
27	59978087	1	KIT	
28	F0802228005	1	SEAL 48x65/10	
29	56470987	1	BUSHING	
30	F0812736010	1	ROLLER CAGE K 30X35/20 H	
31	52475562	1	CLUTCH HOUSING	
32	53273886	1	PISTON	
33	58172400	1	GASKET	
34	58172402	1	GASKET	
35	58172447	8	DISC	

SERIAL
END

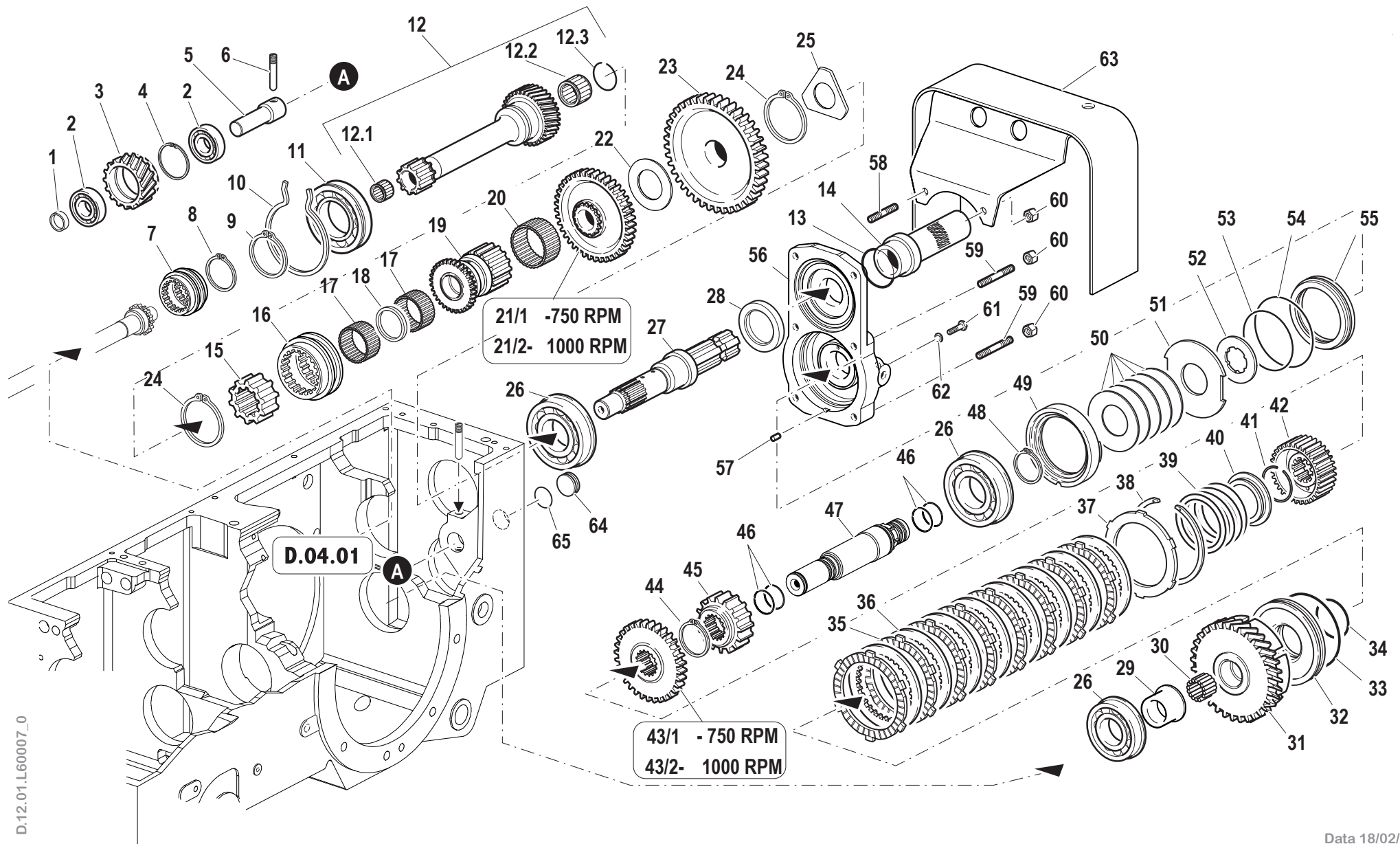
911148

PRESA DI FORZA

Hp 75

CODE REV

D.12.01.L60007_0



Pos.	Code	Q.ty	Description	Notes
36	58172448	8	DISC	
37	52372292	1	RING	
38	58072389	1	CIRCLIP	
39	58074092	1	RESTORING SPRING	
40	56372282	1	RING	
41	58072399	1	SAFETY RING	
42	52475565	1	DISC HUB	
44	F0801282050	1	SEEGER RING	
45	52475992	1	GEAR	
46	58072398	4	SEAL	
47	59276076	1	SHAFT	
48	F0801297050	1	SEEGER RING	
49	56475516	1	SPACER	
50	59978093	1	KIT	
51	56475517		BRAKE DISC	
51	56475518		CLUTCH DISC	
51	56473890		BRAKE DISC	
51	56474713		BRAKE DISC	
51	56474714		BRAKE DISC	
52	56475844	1	CLUTCH DISC	
53	38116317	1	RING	
54	38118720	1	O-RING	
55	53273891	1	PISTON	
56	59377433	1	COVER	
57	F0851226000	1	PIN 6X12 UNI 1707 CL:C20	
58	F0838154010	2	STUD BOLT M8X25 UNI 5911 8.8	
59	31312089	4	STUD BOLT M8x52x14x18	
60	31211080	6	NUT M8	
61	F0862448100	1	SCREW M8X10 UNI 5740	
62	F0843641000	1	COPPER WASHER 8x14/1,5	
63	59074993	1	P.T.O. PROTECTION	
64	56074313	1	PLUG	
65	F0803199010	1	O-RING	
12.1	F0812599086	1	BUSHING HK1816	

SERIAL
END

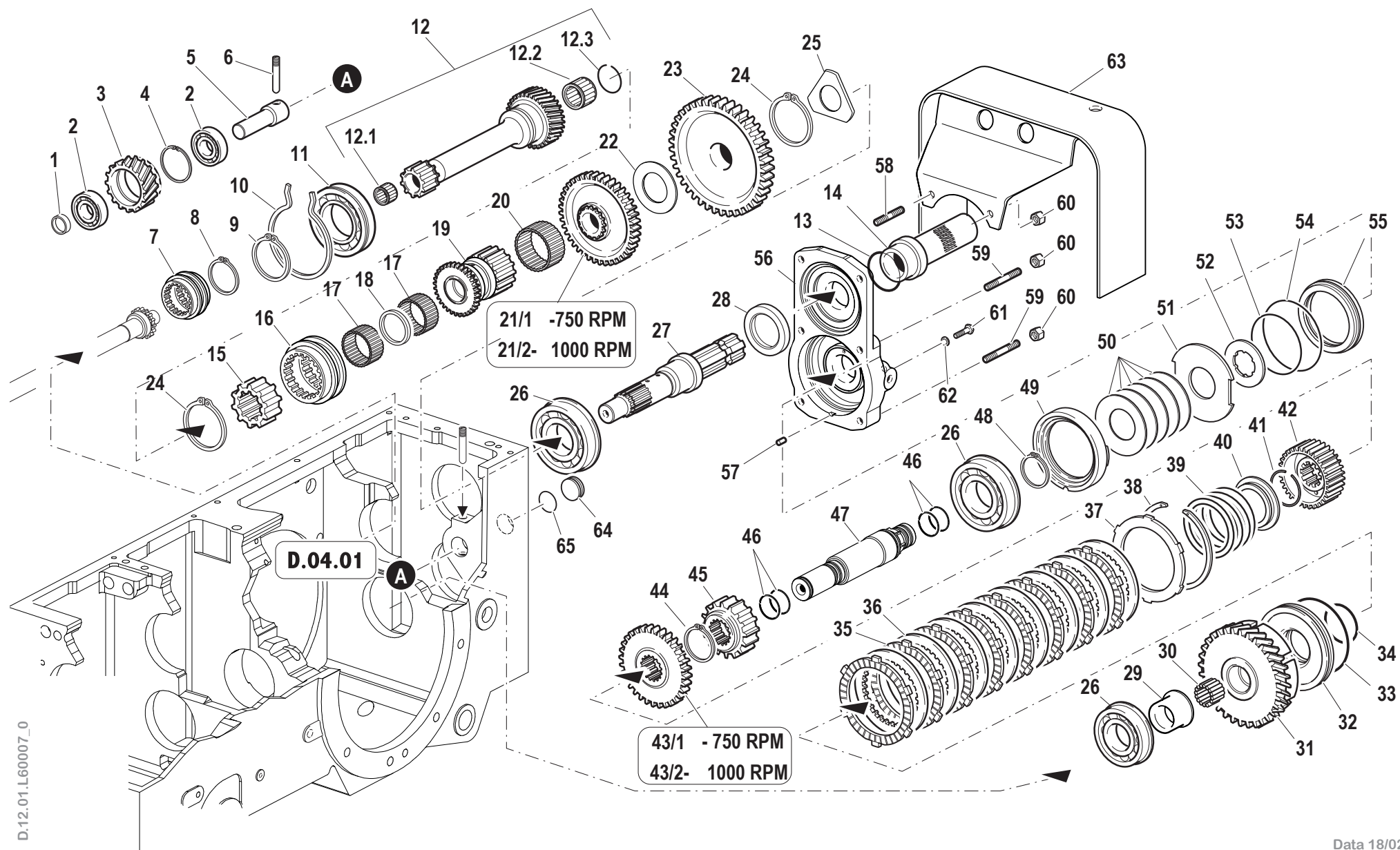
911148

PRESA DI FORZA

Hp 75

CODE REV

D.12.01.L60007_0

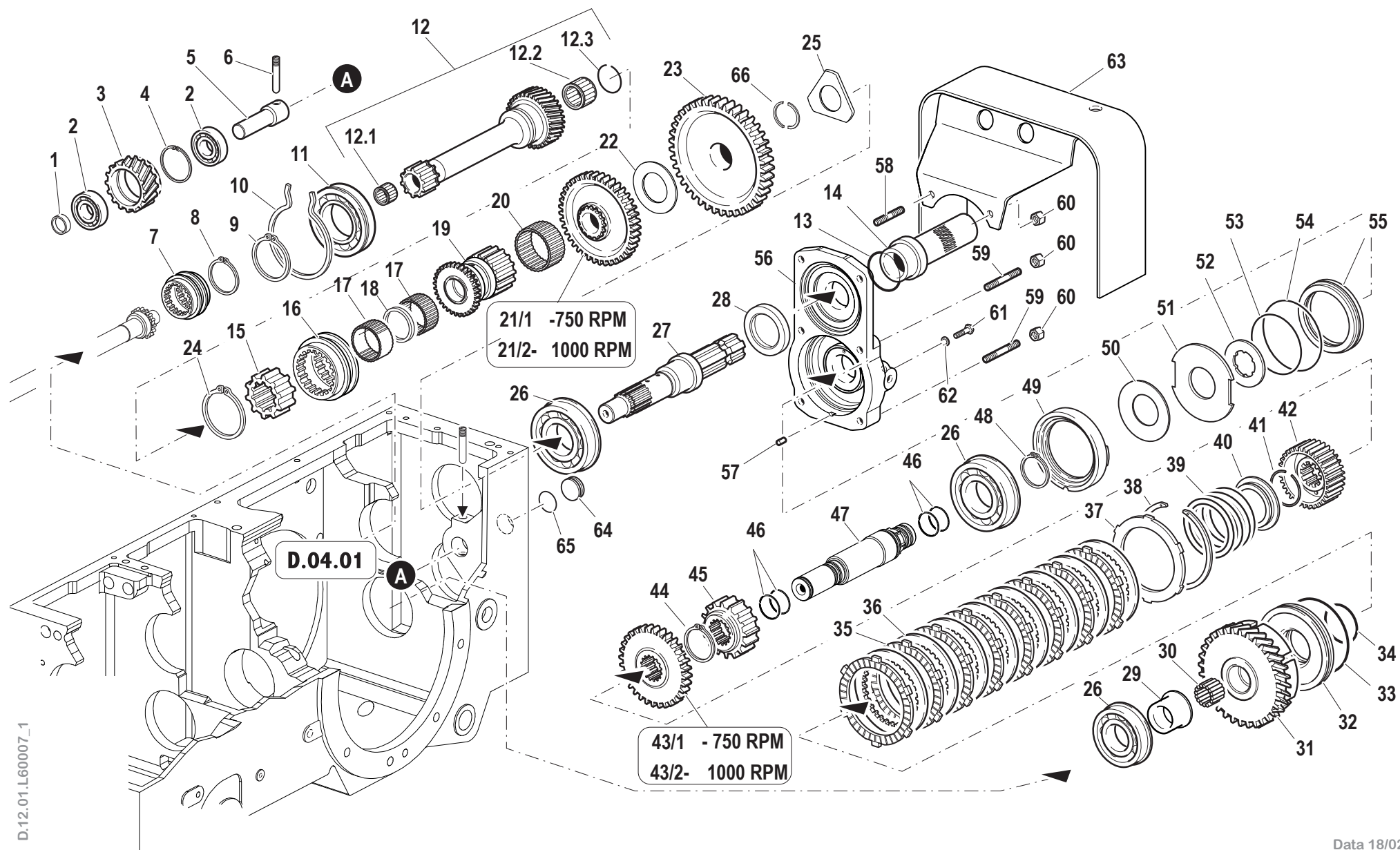


Pos.	Code	Q.ty	Description	Notes
12.2	F0812689050	1	ROLLER CAGE K 25X33/20	
12.3	F0801248000	1	SAFETY RING	
21/1	52476065	1	DRIVEN GEAR	
21/2	52476066	1	DRIVEN GEAR	
43/1	52475994	1	GEAR	
43/2	52475996	1	GEAR	

SERIAL
END
911148

PRESA DI FORZA
Hp 75

CODE REV
D.12.01.L60007_0



Pos.	Code	Q.ty	Description	Notes
1	56171572	1	SPACER	
2	F0812637000	2	BEARING 6204 (20x47x14)	
3	52476868	1	INTERMEDIATE WHEEL	
4	35111047	1	SEEGER RING	
5	56174108	1	GEAR PIN	
6	56370178	1	SCREW	
7	52470298	1	SLEEVE	
8	35121040	1	SEEGER RING	
9	F0801353000	1	SEEGER RING	
10	58170130	1	CIRCLIP	
11	F0812957010	1	BEARING 6210-N (50/90/20)	
12	59900376	1	PTO SHAFT	
13	P470433000000	1	PROTECTIVE RING	
14	P470330000000	1	GUARD	
15	52476068	1	SLEEVE	
16	52476062	1	SHIFTING CLAW	
17	F0812784000	2	ROLLER CAGE K 32X37/27 H	
18	37931413	1	SAFETY RING	
19	52478568	1	SHIFTING CLAW	
20	F0812951300	1	ROLLER CAGE K 50X55/27 H	
22	56475568	1	SHIM	
23	52475991	1	DRIVEN GEAR	
24	F0801244080	1	SEEGER RING	
25	56478567	1	SHIM	
26	F0812918010	1	BEARING 6308-NR (40x90x23)	
27	52478565	1	PTO SHAFT	
28	F0802228005	1	SEAL 48x65/10	
29	56470987	1	BUSHING	
30	F0812736010	1	ROLLER CAGE K 30X35/20 H	
31	52475562	1	CLUTCH HOUSING	
32	53273886	1	PISTON	
33	58172400	1	GASKET	
34	58172402	1	GASKET	
35	58172447	8	DISC	

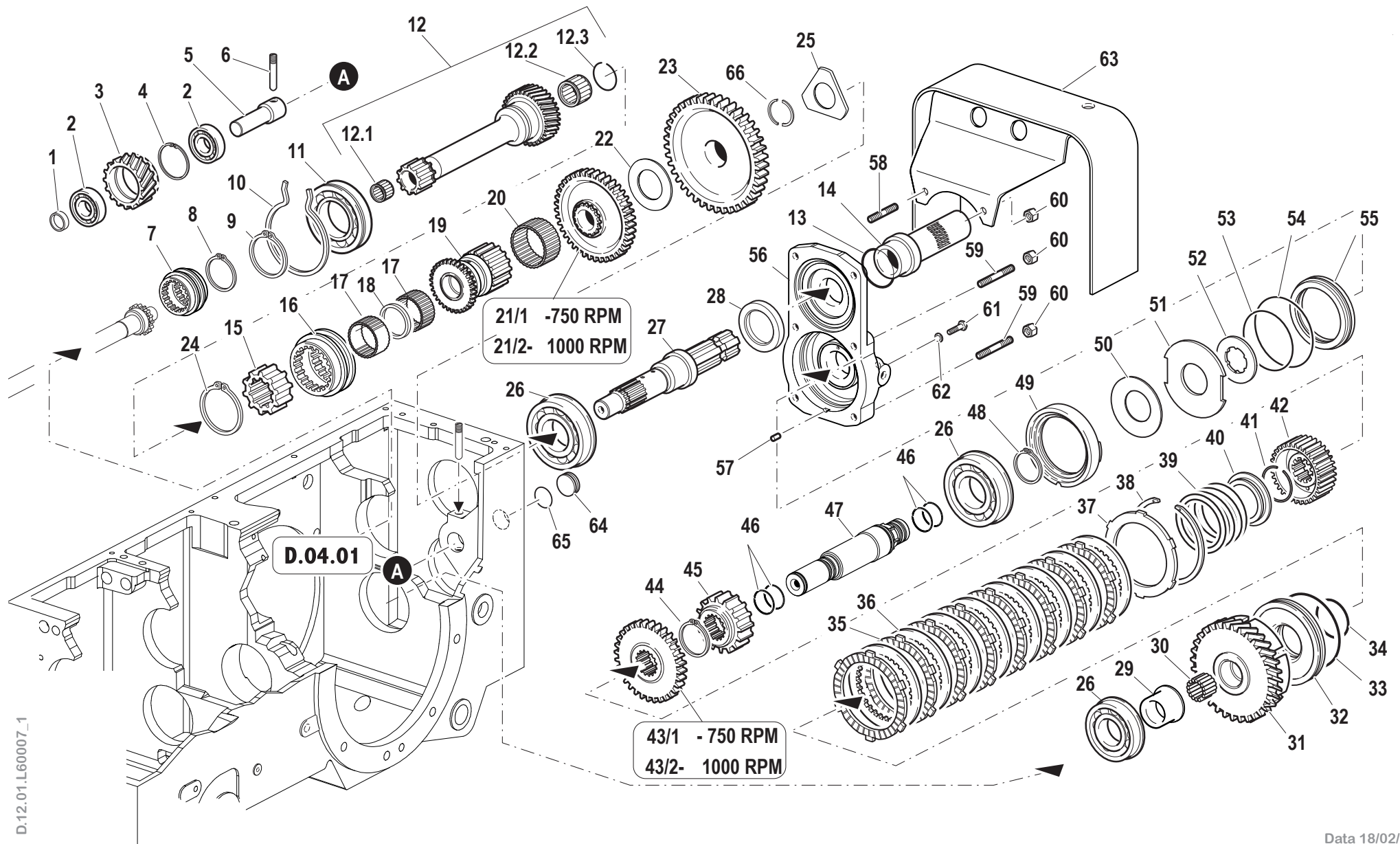
SERIAL
START
911149

PRESA DI FORZA

Hp 75

CODE REV

D.12.01.L60007_1



Pos.	Code	Q.ty	Description	Notes
36	58172448	8	DISC	
37	52372292	1	RING	
38	58072389	1	CIRCLIP	
39	58074092	1	RESTORING SPRING	
40	56372282	1	RING	
41	58072399	1	SAFETY RING	
42	52475565	1	DISC HUB	
44	F0801282050	1	SEEGER RING	
45	52475992	1	GEAR	
46	58072398	4	SEAL	
47	59276076	1	SHAFT	
48	F0801297050	1	SEEGER RING	
49	56475516	1	SPACER	
50	58073889	1	CUP SPRING	
51	56475517		BRAKE DISC	
51	56475518		CLUTCH DISC	
51	56473890		BRAKE DISC	
51	56474713		BRAKE DISC	
51	56474714		BRAKE DISC	
52	56475844	1	CLUTCH DISC	
53	38116317	1	RING	
54	38118720	1	O-RING	
55	53273891	1	PISTON	
56	59377433	1	COVER	
57	F0851226000	1	PIN 6X12 UNI 1707 CL:C20	
58	F0838154010	2	STUD BOLT M8X25 UNI 5911 8.8	
59	31312089	4	STUD BOLT M8x52x14x18	
60	31211080	6	NUT M8	
61	F0862448100	1	SCREW M8X10 UNI 5740	
62	F0843641000	1	COPPER WASHER 8x14/1,5	
63	59074993	1	P.T.O. PROTECTION	
64	56074313	1	PLUG	
65	F0803199010	1	O-RING	
66	56378566	2	HALF RING	

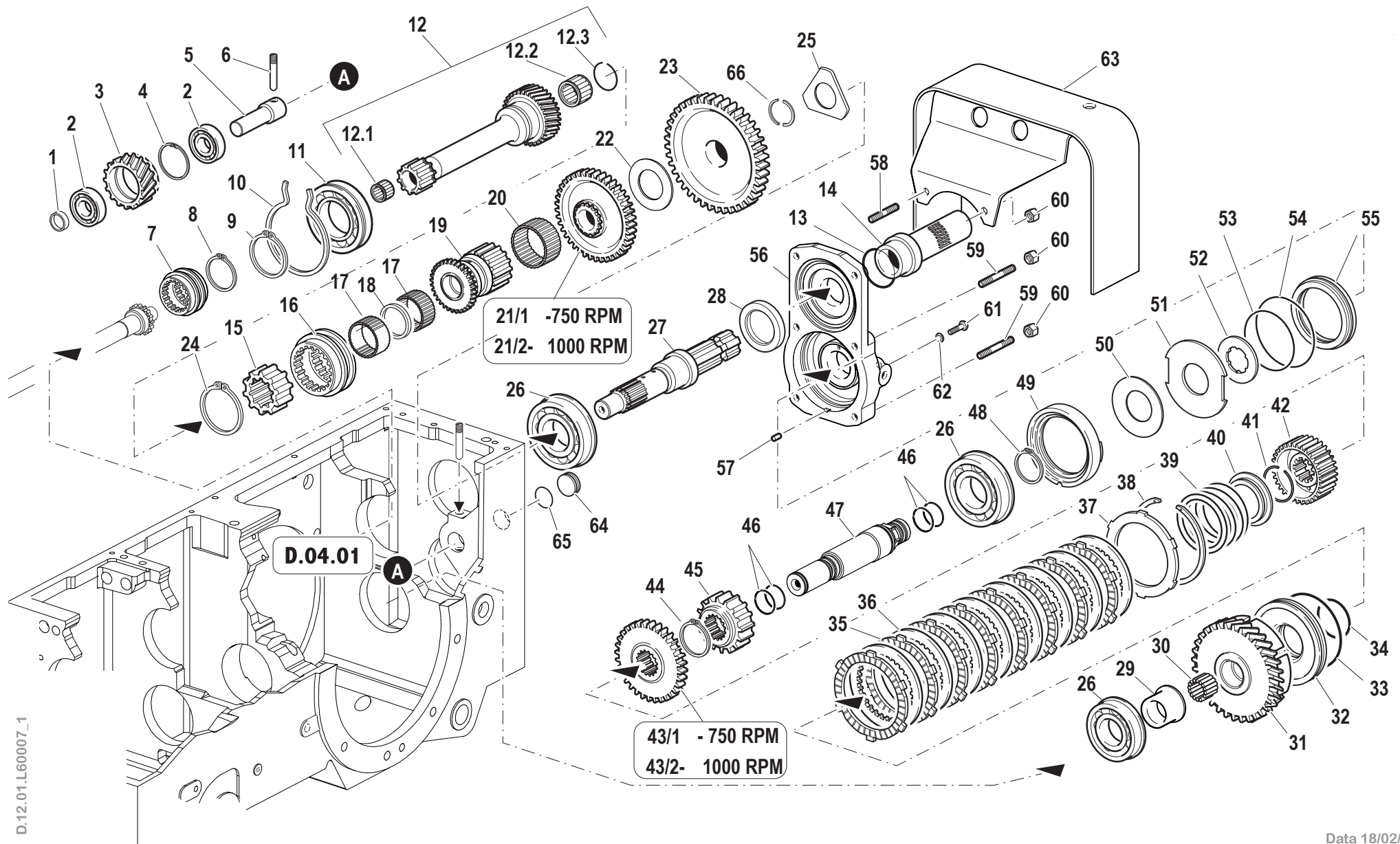
SERIAL
START
911149

PRESA DI FORZA

Hp 75

CODE REV

D.12.01.L60007_1



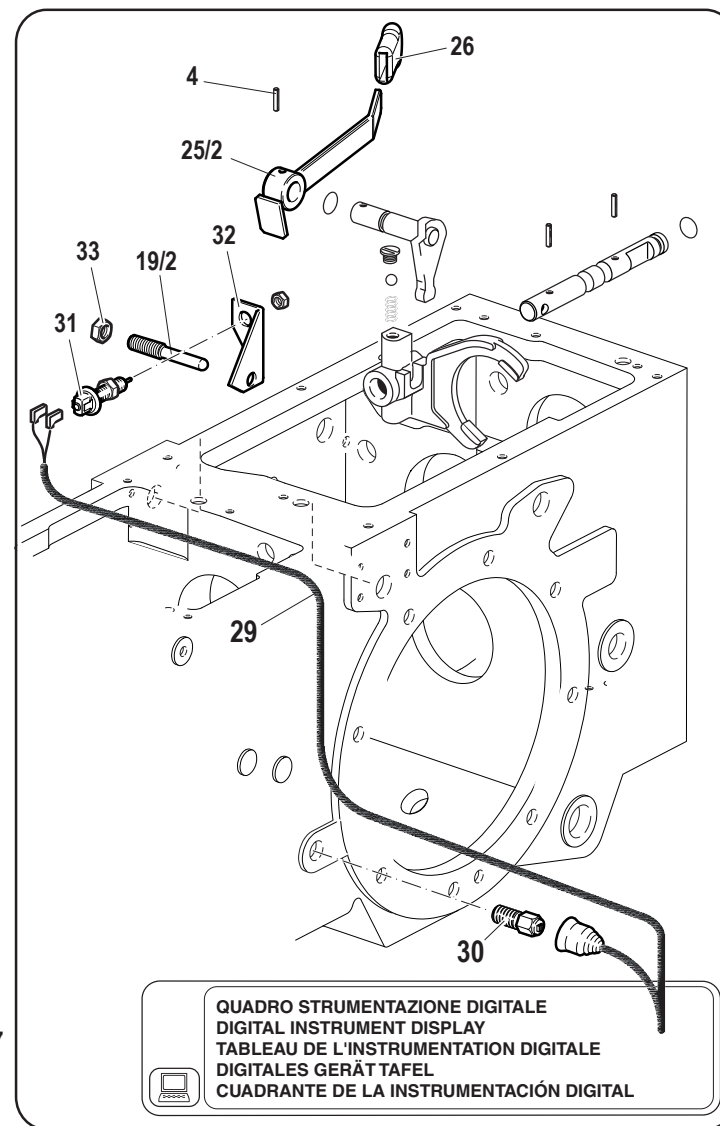
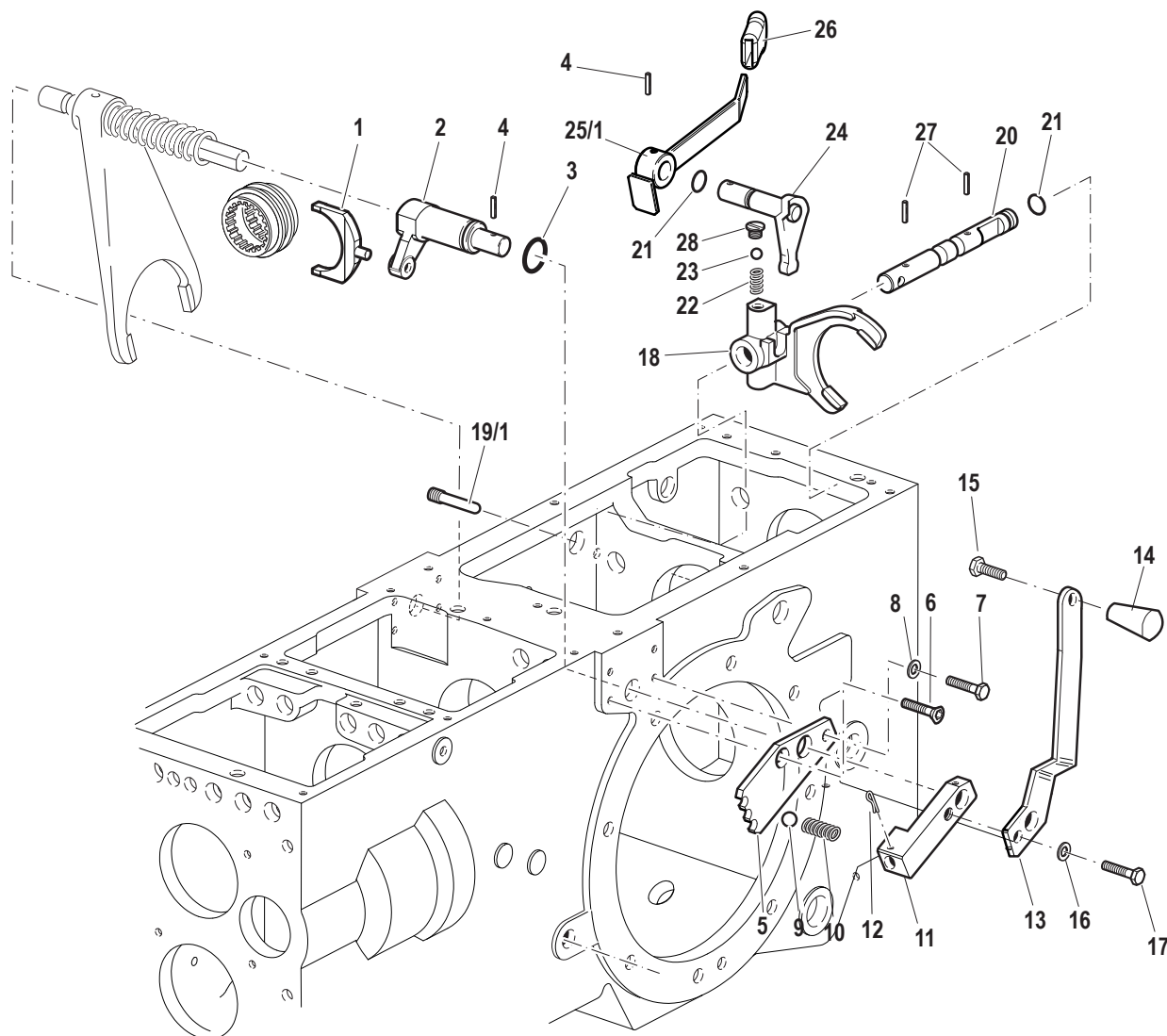
D.12.01.L60007_1

Pos.	Code	Q.ty	Description	Notes
12.1	F0812599086	1	BUSHING HK1816	
12.2	F0812689050	1	ROLLER CAGE K 25X33/20	
12.3	F0801248000	1	SAFETY RING	
21/1	52476065	1	DRIVEN GEAR	
21/2	52476066	1	DRIVEN GEAR	
43/1	52475994	1	GEAR	
43/2	52475996	1	GEAR	

SERIAL
START
911149

PRESA DI FORZA
Hp 75

CODE REV
D.12.01.L60007_1



Pos.	Code	Q.ty	Description	Notes
1	56470299	1	SELECTOR FORK	
2	52370152	1	LEVER	
3	38112200	1	O-RING	
4	34211054	2	ROLL PIN	
5	56178574	1	PLATE	
6	31132566	1	SCREW TSVEI M8X20 UNI 5933	
7	31112150	1	SCREW TE M8X20 UNI 5739 8G	
8	F0843570000	1	WASHER 6	
9	F0847462000	1	BALL RB-11.112	
10	F0831047000	1	SPRING	
11	56178575	1	LEVER	
12	34110029	1	SPLIT PIN	
13	56079368	1	COMMAND LEVER	
14	58177240	1	GRIP	
15	31112093	1	SCREW TE M6X20	
16	F0843643060	1	WASHER 8	
17	31111151	1	SCREW TE M8X16 UNI 5739 8G	
18	51275570	1	SELECTOR FORK	
20	56375571	1	ROD	
21	38111078	2	O-RING	
22	58070741	2	SPRING	
23	F0847434000	2	BALL	
24	59075572	1	LEVER	
26	F0837534060	1	GRIP	
27	F0851180000	2	PIN 5X26 DIN 1481 CL:C72	
28	56076055	1	PLUG	
29	58076512	1	CABLE	
30	58176969	1	SENSOR	
31	F0825488000	1	SWITCH	
32	56176994	1	BRACKET	
33	31231090	1	NUT M10	
19/1	56370178	1	SCREW	
19/2	56376995	1	SCREW	
25/1	59078865	1	LEVER	

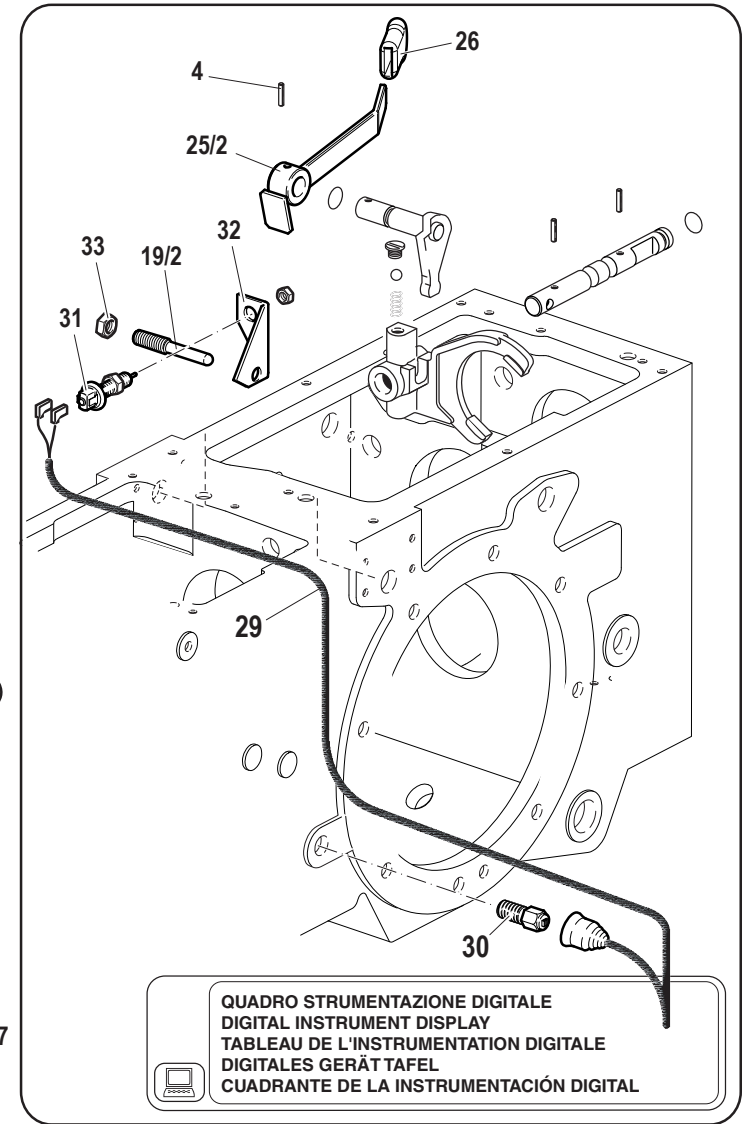
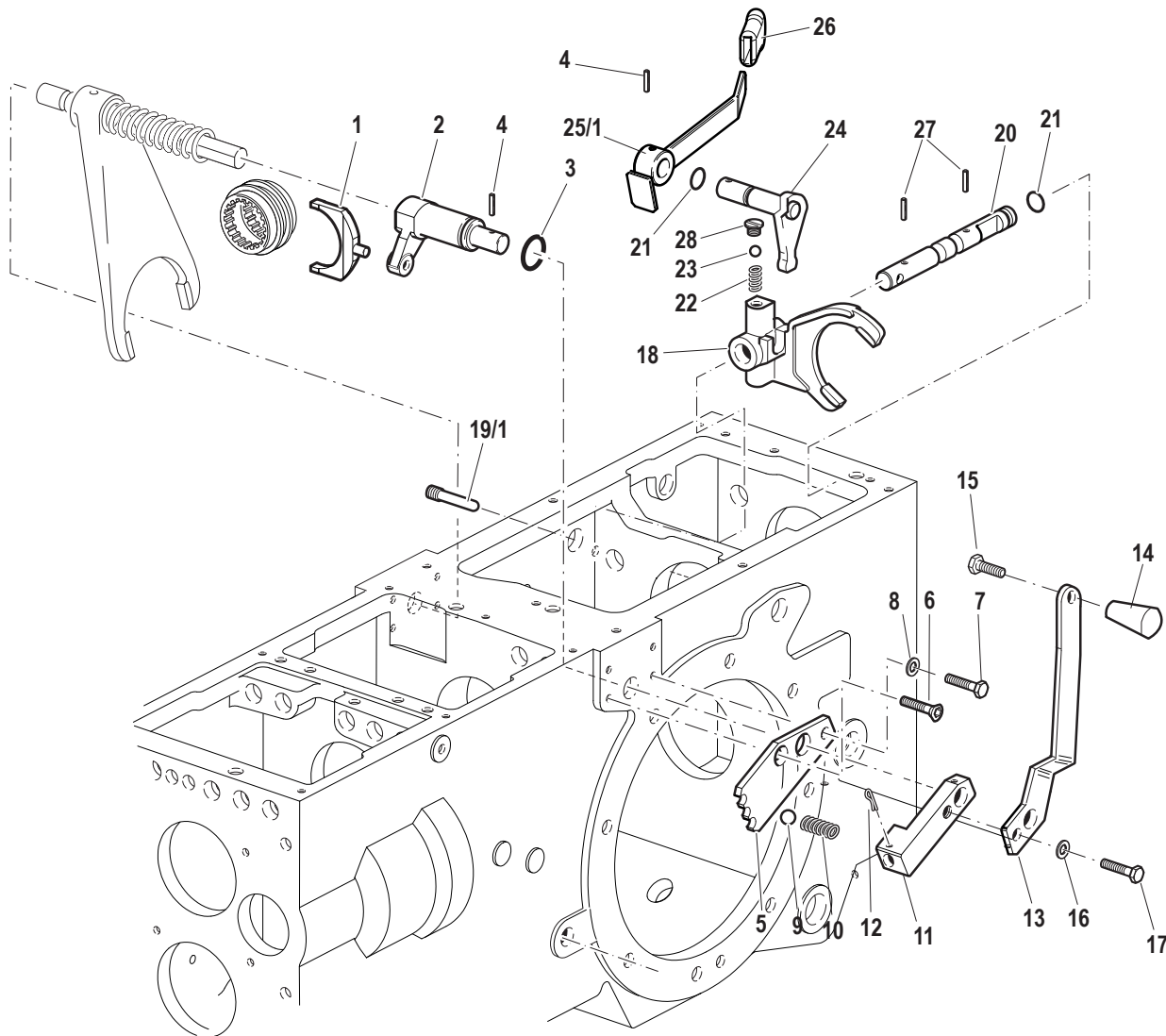
SERIAL

COMANDI PRESA DI FORZA

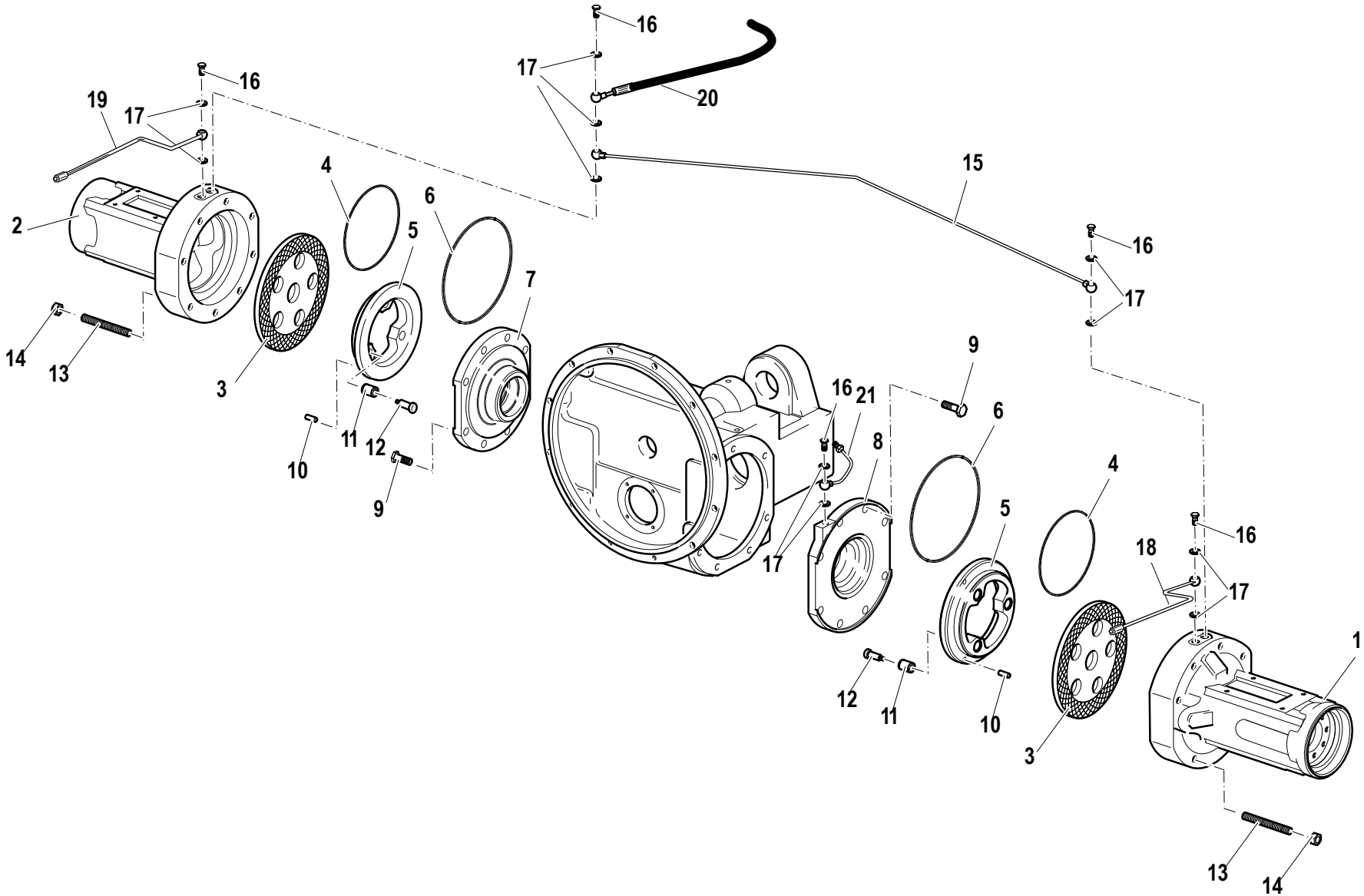
Hp 75

CODE REV

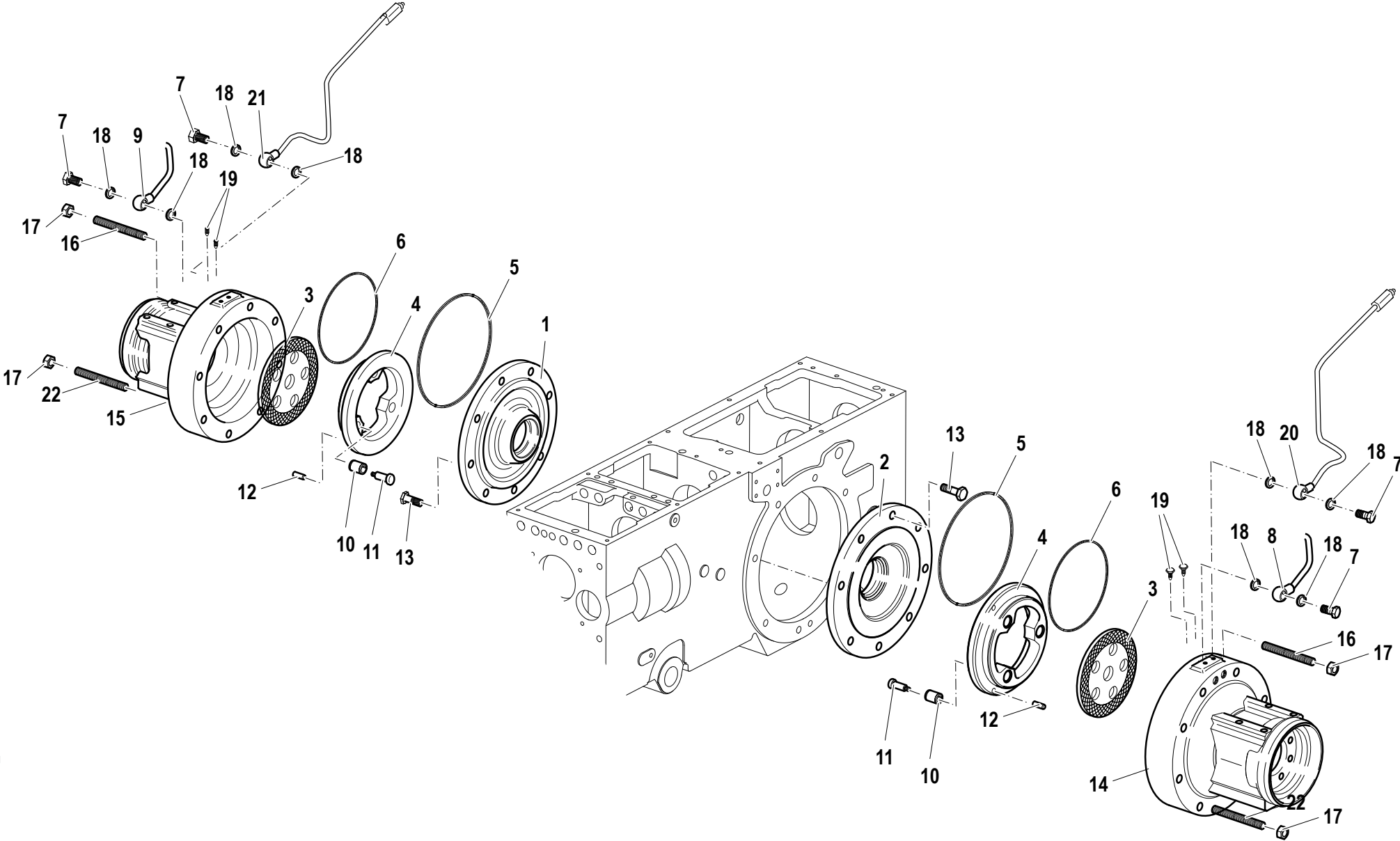
D.12.02.L60007_0



Pos.	Code	Q.ty	Description	Notes
25/2	59078868	1	LEVER	

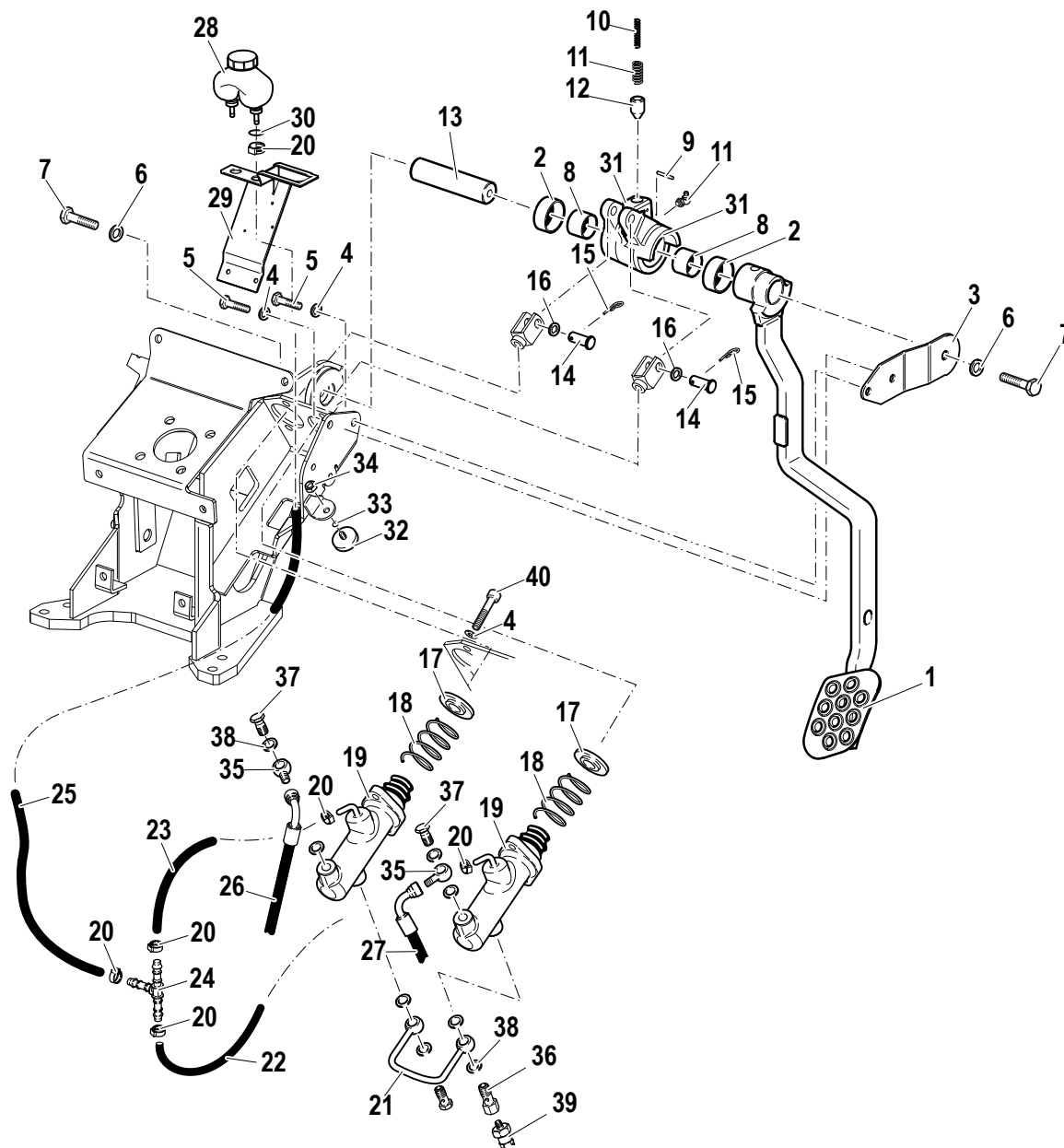


Pos.	Code	Q.ty	Description	Notes
1	51176601	1	FRONT AXLE HOUSING	
2	51176600	1	FRONT AXLE HOUSING	
3	58075788	1	BRAKE DISC	
4	58076609	1	GASKET	
5	51176605	1	PISTON	
6	58076759	1	GASKET	
7	51275781	1	SUPPORT	
8	51275782	1	SUPPORT	
9	31112147	1	SCREW TE M8X18 UNI 5739 8G	
10	58076254	1	PIN	
11	56376607	1	BUSHING	
12	58076606	1	SCREW	
13	F0838726050	1	STUD BOLT M14x1.5x80UNI5912	
14	F0814750010	1	NUT M14X1,5	
15	59076503	1	CONNECTION PIPE	
16	56178695	5	THREADED TERMINAL END	
17	P254124000000	11	WASHER	
18	59077319	1	PIPE	
19	59078596	1	PIPE	
20	58076871	1	FLEXIBLE HOSE	
21	59076501	1	PIPE	



Pos.	Code	Q.ty	Description	Notes
1	51275775	1	SUPPORT	
2	51275774	1	SUPPORT	
3	58075696	2	BRAKE DISC	
4	51176604	2	PISTON	
5	58076761	2	GASKET	
6	58076760	2	GASKET	
7	56178695	4	THREADED TERMINAL END	
8	59076505	1	PRESSURE PIPE	
9	59076504	1	PRESSURE PIPE	
10	56376607	6	BUSHING	
11	58076606	6	SCREW	
12	58076254	6	PIN	
13	31112147	16	SCREW TE M8X18 UNI 5739 8G	
14	51179406	1	REAR AXLE HOUSING	
15	51179405	1	REAR AXLE HOUSING	
16	31313295	10	STUD BOLT	
17	F0814750010	16	NUT M14X1,5	
18	P254124000000	4	WASHER	
19	58179399	4	PLUG	
20	59077321	1	PIPE	
21	59077322	1	PIPE	
22	31313315	6	STUD BOLT	

COMANDI FRENI



Pos.	Code	Q.ty	Description	Notes
1	59077003	1	BRAKE PEDAL	
2	58176958	2	BUSHING	
3	56177008	1	BRACKET	
4	F0843643060	6	WASHER 8	
5	31112147	2	SCREW TE M8X18 UNI 5739 8G	
6	F0843755000	2	WASHER 10	
7	31112210	2	SCREW TE M10X20 UNI 5739	
8	58176267	2	BUSHING	
9	F0851043050	1	PIN 3,0X24 DIN 1481 CL:C72	
10	58077333	1	SPRING	
11	58070741	1	SPRING	
12	56377332	1	PIN	
13	56377007	1	PIN	
14	56470365	2	PIN	
15	F0810510000	2	SPLIT PIN A2,0X20 UNI 1336	
16	31411105	2	WASHER 10,5x21	
17	F0190021254	2	WASHER	
18	58077401	2	RETAINING SPRING	
19	58176236	2	BRAKE CYLINDER	
20	F0817500100	6	CLAMP 013,8-706R	
21	59076506	1	CONNECTION PIPE	
22	58077214	1	PIPE	
23	58077215	1	PIPE	
24	58192680	1	PIPE FITTING	
25	58077216	1	PIPE	
26	58077213	1	FLEXIBLE HOSE	
27	58077212	1	FLEXIBLE HOSE	
28	P238176000000	1	TANK	
29	56177074	1	TANK SUPPORT	
30	F0803259000	1	O-RING	
31	56377006	1	HUB	
32	58177089	1	MAGNETO	
33	F0803050000	1	O-RING	
34	31241060	1	HEXAGON SELFLOCK NUT M6	

SERIAL
END

909013

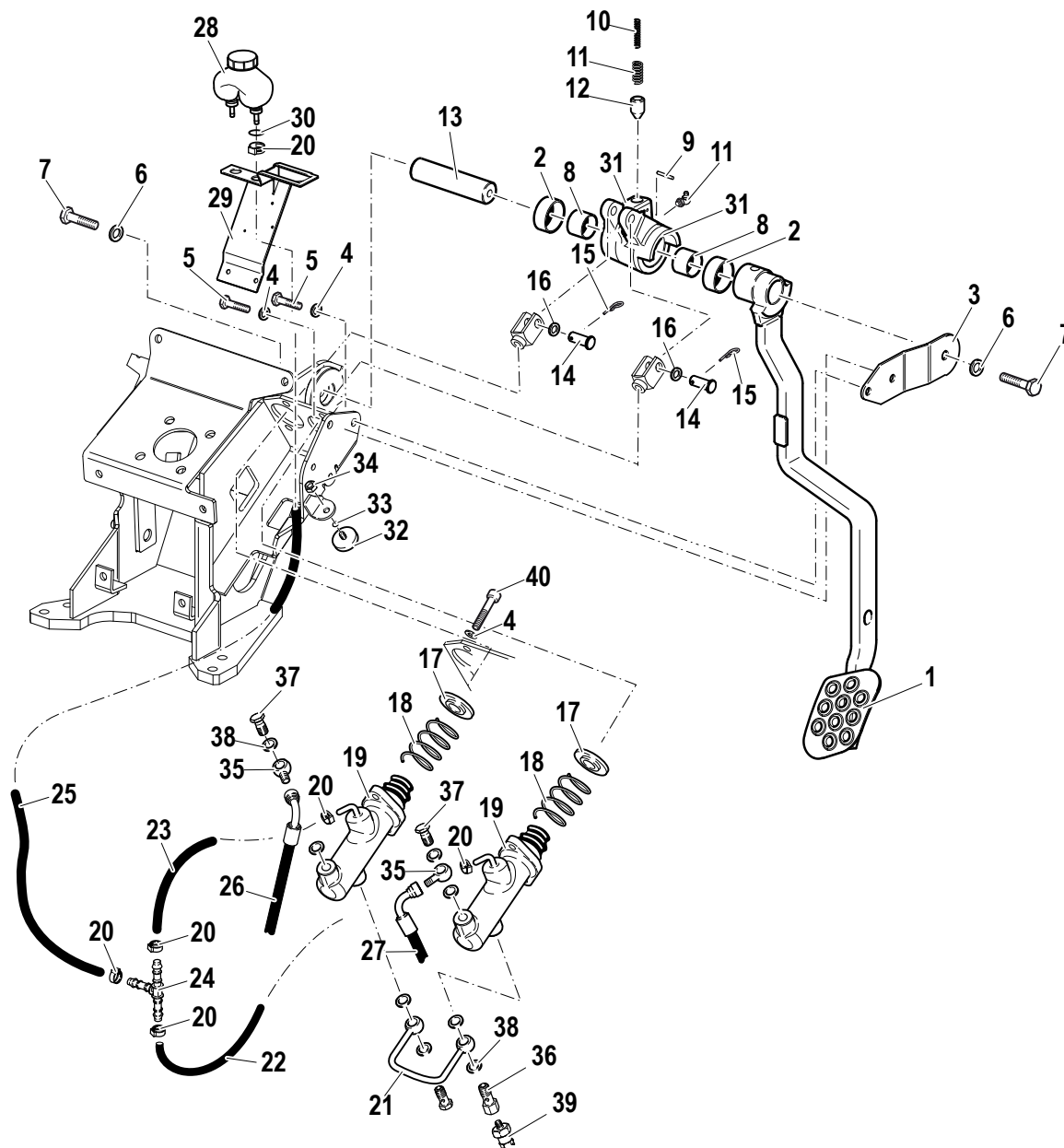
COMANDI FRENI

Hp 75

CODE REV

D.14.02.L60001_0

COMANDI FRENI



Pos.	Code	Q.ty	Description	Notes
35	56176515	2	PIPE FITTING	
36	56177034	1	RACC.MAND.POMPA (59078569) *	
37	F0843105200	4	PIPE FITTING M12x1,25	
38	F0843841000	8	COPPER WASHER 12,0x18/1,5	
39	58177033	1	PRESSURE SWITCH	
40	31152081	4	SCREW TCEI M8X20 UNI 5931	

SERIAL
END

909013

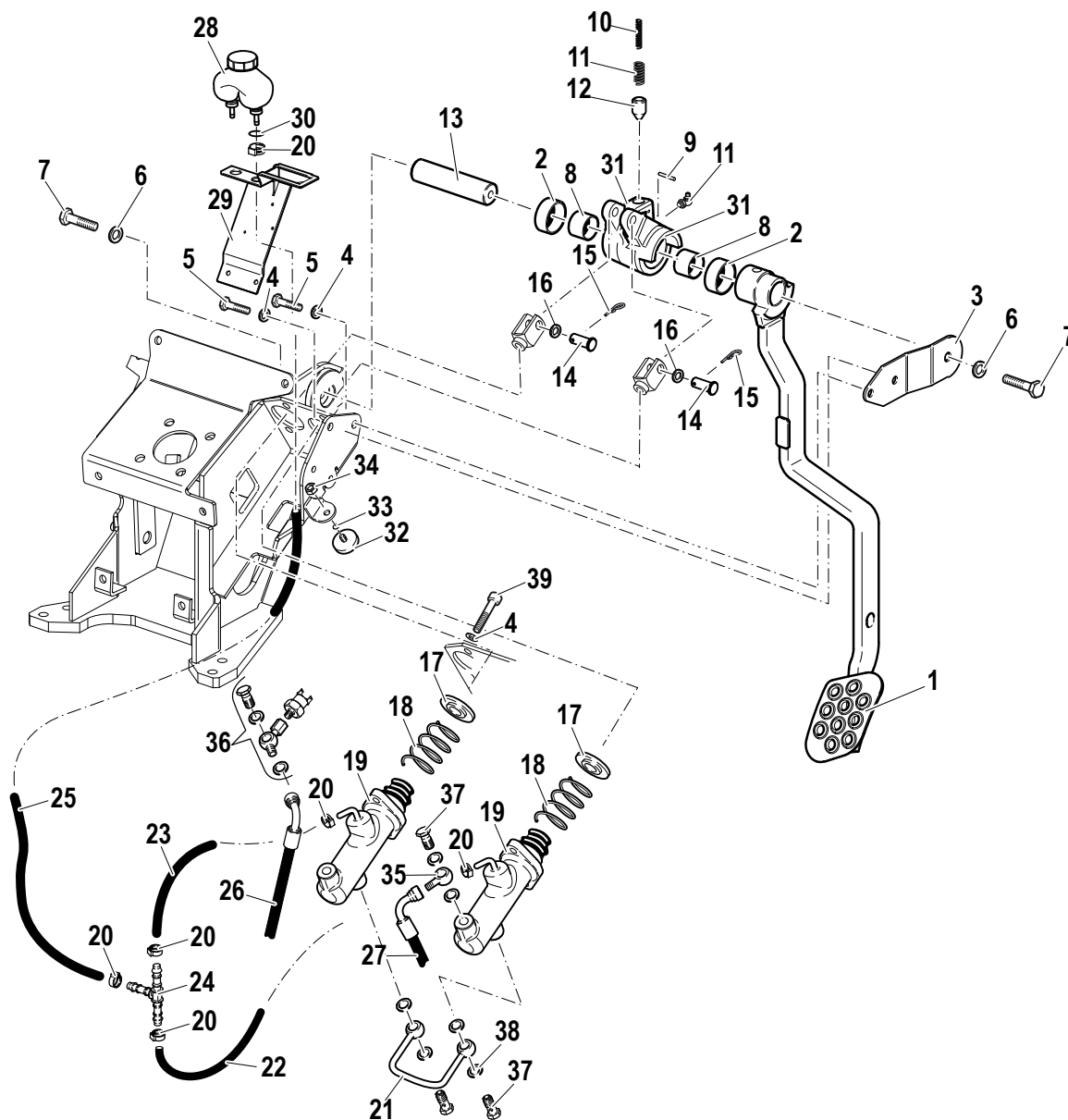
COMANDI FRENI

Hp 75

CODE REV

D.14.02.L60001_0

COMANDI FRENI



Pos.	Code	Q.ty	Description	Notes
1	59077003	1	BRAKE PEDAL	
2	58176958	2	BUSHING	
3	56177008	1	BRACKET	
4	F0843643060	6	WASHER 8	
5	31112147	2	SCREW TE M8X18 UNI 5739 8G	
6	F0843755000	2	WASHER 10	
7	31112210	2	SCREW TE M10X20 UNI 5739	
8	58176267	2	BUSHING	
9	F0851043050	1	PIN 3,0X24 DIN 1481 CL:C72	
10	58077333	1	SPRING	
11	58070741	1	SPRING	
12	56377332	1	PIN	
13	56377007	1	PIN	
14	56470365	2	PIN	
15	F0810510000	2	SPLIT PIN A2,0X20 UNI 1336	
16	31411105	2	WASHER 10,5x21	
17	F0190021254	2	WASHER	
18	58077401	2	RETAINING SPRING	
19	58176236	2	BRAKE CYLINDER	
20	F0817500100	6	CLAMP 013,8-706R	
21	59076506	1	CONNECTION PIPE	
22	58077214	1	PIPE	
23	58077215	1	PIPE	
24	58192680	1	PIPE FITTING	
25	58077216	1	PIPE	
26	58077213	1	FLEXIBLE HOSE	
27	58077212	1	FLEXIBLE HOSE	
28	P238176000000	1	TANK	
29	56177074	1	TANK SUPPORT	
30	F0803259000	1	O-RING	
31	56377006	1	HUB	
32	58177089	1	MAGNETO	
33	F0803050000	1	O-RING	
34	31241060	1	HEXAGON SELFLOCK NUT M6	

SERIAL
START
909014

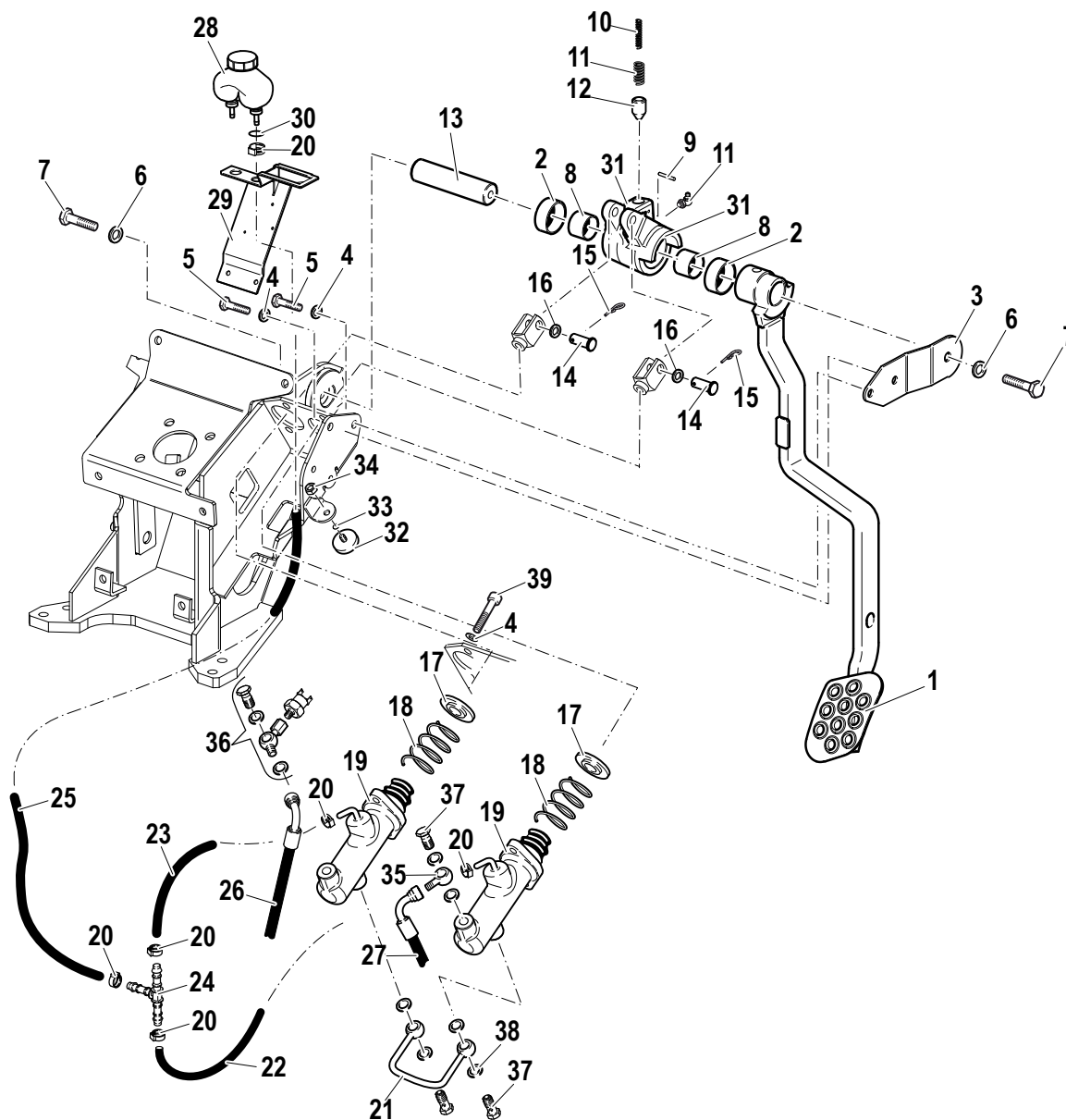
COMANDI FRENI

Hp 75

CODE REV

D.14.02.L60001_1

COMANDI FRENI

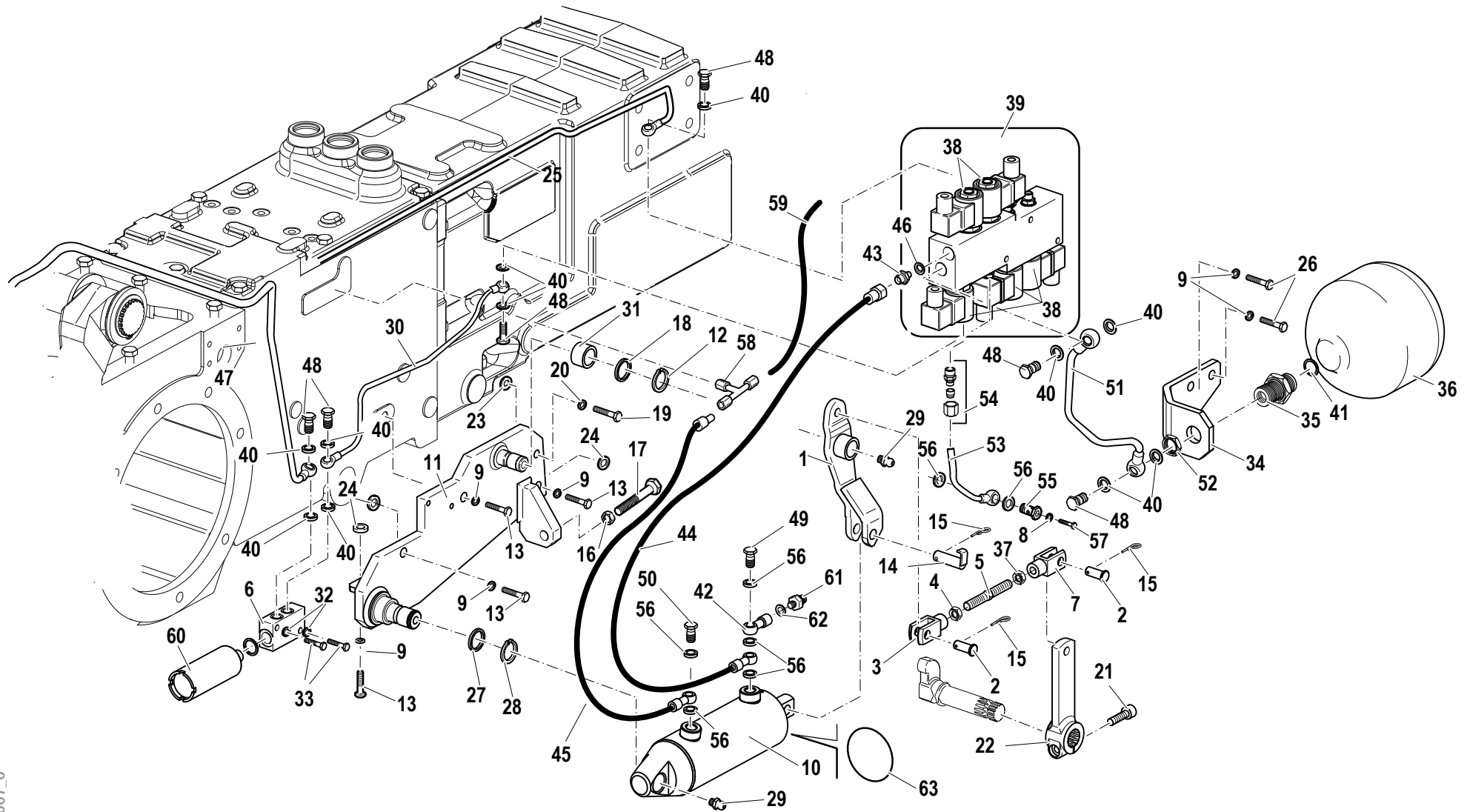


Pos.	Code	Q.ty	Description	Notes
35	56176515	1	PIPE FITTING	
36	59978091	1	KIT	
37	F0843105200	4	PIPE FITTING M12x1,25	
38	F0843841000	8	COPPER WASHER 12,0x18/1,5	
39	31152081	4	SCREW TCEI M8X20 UNI 5931	

SERIAL
START
909014

COMANDI FRENI
Hp 75

CODE REV
D.14.02.L60001_1



Pos.	Code	Q.ty	Description	Notes
1	59076881	1	LEVER	
2	56476188	2	HINGE PIN	
3	F0860090110	1	FORK	
4	F0814628050	1	NUT M10	
5	56376189	1	ROD	
6	56176209	1	SMALL BLOCK	
7	F0860090010	1	FORK	
8	F0843641000	1	COPPER WASHER 8x14/1,5	
9	F0843755000	6	WASHER 10	
10	58076865	1	CYLINDER	
11	59076878	1	RETAINER	
12	35121018	1	SEEGER RING	
13	31112211	4	SCREW TE M10X30 UNI 5739	
14	59076884	1	PIN	
15	34110021	3	SPLIT PIN	
16	31231120	1	NUT M12	
17	31112260	1	SCREW TE M12X60 UNI 5739	
18	56076192	1	SPACER	
19	31112152	1	SCREW TE M8X30 UNI 5739 8G	
20	F0843643060	1	WASHER 8	
21	31152083	1	SCREW TCEI M8X30 UNI 5931	
22	56577429	1	LEVER	
23	F0843711000	1	WASHER D.24x8,5/4	
24	F0843815000	2	WASHER D.24x10,5/4	
25	59076215	1	PIPE	
26	31112219	2	SCREW TE M10X25 UNI 5739	
27	F0844283000	1	SPACER D.27x22/3	
28	35121023	1	SEEGER RING	
29	30000007	2	LUBRICATOR	
30	59076218	1	PIPE	
31	F0804099010	1	BUSHING	
32	F0843570000	1	WASHER 6	
33	31112086	1	SCREW TE M6X30 UNI 5737 8G	
34	56077324	1	SUPPORT	

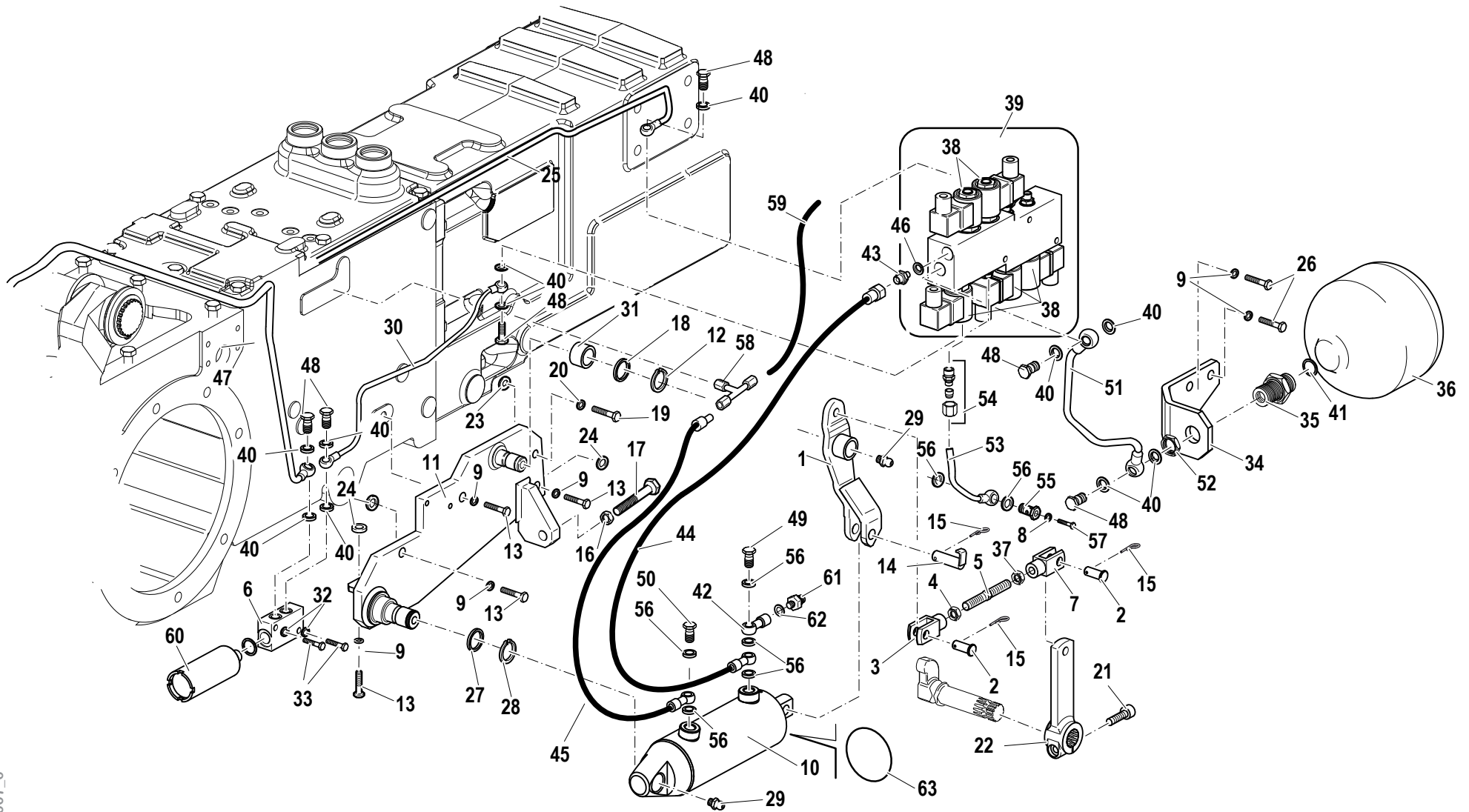
SERIAL
END
907960

FRENO DI STAZIONAMENTO

Hp 75

CODE REV

D.15.02.L60007_0



Pos.	Code	Q.ty	Description	Notes
35	56176221	1	PIPE FITTING	
36	58177642	1	ACCUMULATOR	
37	F0814627000	1	NUT M10	
38	58172463	5	ELECTRO VALVE	
39	56178679	1	SMALL BLOCK	
40	P254124000000	8	WASHER	
41	F0824141000	1	COPPER WASHER 21x27/1,5	
42	59076415	1	PIPE FITTING	
43	F0835022000	1	NIPPLE	
44	58076232	1	FLEXIBLE HOSE	
45	58076231	1	FLEXIBLE HOSE	
46	F0843771000	2	COPPER WASHER 10,0x16/1	
47	59076217	1	PIPE	
48	56178695	8	THREADED TERMINAL END	
49	56170413	1	PIPE FITTING	
50	F0843107000	1	PIPE FITTING GAS 1/4	
51	59076216	1	PIPE	
52	F0814843050	1	NUT M20X1,5	
53	59076219	1	PRESSURE PIPE	
54	30000245	1	PIPE FITTING	
55	58074558	1	PIPE FITTING	
56	F0843907000	7	COPPER WASHER 13,66x19/1,5	
57	F0862448100	1	SCREW M8X10 UNI 5740	
58	58176244	1	PIPE FITTING	
59	58076325	1	FLEXIBLE HOSE	
60	59271011	1	UNIT	
61	58173399	1	PRESSURE SWITCH	
62	F0843841000	1	COPPER WASHER 12,0x18/1,5	
63	F0801310700	1	SAFETY RING	
64	31111102	3	SCREW TE M6X50 UNI 5737 8G	
65	58076326	1	FLEXIBLE HOSE	
66	59076501	1	PIPE	
67	31231090	1	NUT M10	

SERIAL
END

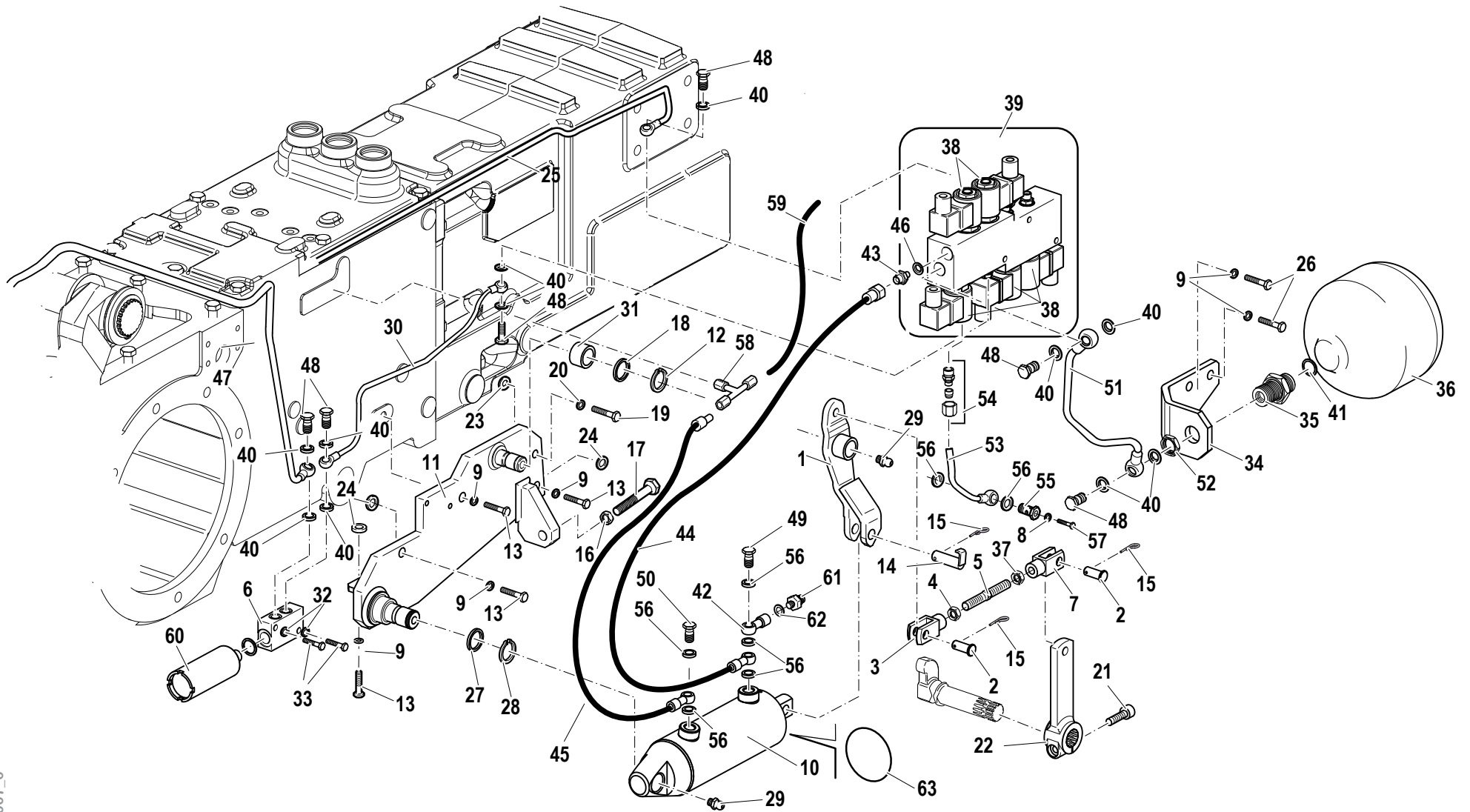
907960

FRENO DI STAZIONAMENTO

Hp 75

CODE REV

D.15.02.L60007_0



Pos.	Code	Q.ty	Description	Notes
1	59076881	1	LEVER	
2	56476188	2	HINGE PIN	
3	F0860090110	1	FORK	
4	F0814628050	1	NUT M10	
5	56376189	1	ROD	
6	56176209	1	SMALL BLOCK	
7	F0860090010	1	FORK	
8	F0843641000	1	COPPER WASHER 8x14/1,5	
9	F0843755000	6	WASHER 10	
10	58077777	1	CYLINDER	
11	59076878	1	RETAINER	
12	35121018	1	SEEGER RING	
13	31112211	4	SCREW TE M10X30 UNI 5739	
14	59076884	1	PIN	
15	34110021	3	SPLIT PIN	
16	31231120	1	NUT M12	
17	31112260	1	SCREW TE M12X60 UNI 5739	
18	56076192	1	SPACER	
19	31112152	1	SCREW TE M8X30 UNI 5739 8G	
20	F0843643060	1	WASHER 8	
21	31152083	1	SCREW TCEI M8X30 UNI 5931	
22	56577429	1	LEVER	
23	F0843711000	1	WASHER D.24x8,5/4	
24	F0843815000	2	WASHER D.24x10,5/4	
25	59076215	1	PIPE	
26	31112219	2	SCREW TE M10X25 UNI 5739	
27	F0844283000	1	SPACER D.27x22/3	
28	35121023	1	SEEGER RING	
29	30000007	2	LUBRICATOR	
30	59076218	1	PIPE	
31	F0804099010	1	BUSHING	
32	F0843570000	1	WASHER 6	
33	31112086	1	SCREW TE M6X30 UNI 5737 8G	
34	56077324	1	SUPPORT	

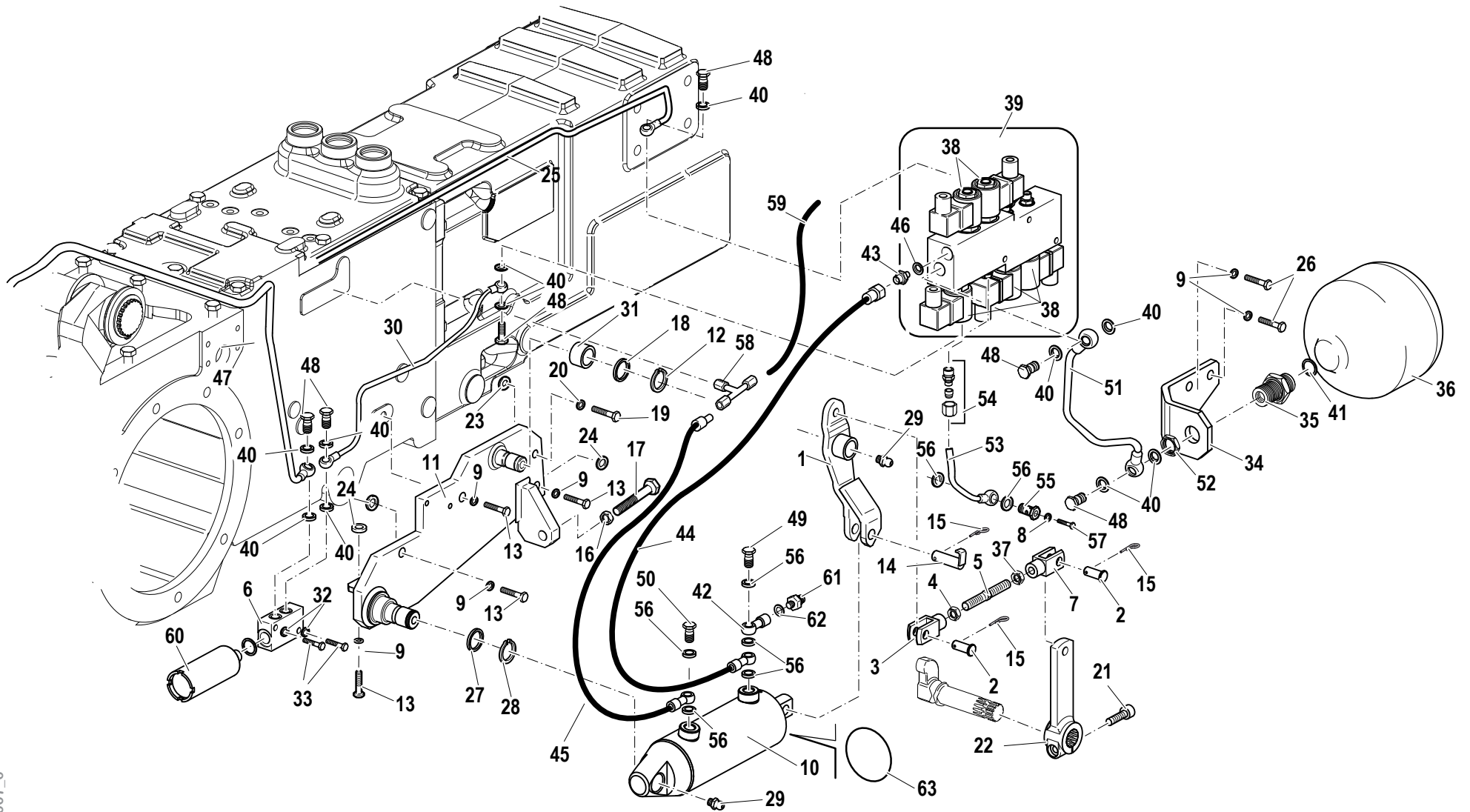
SERIAL
START
907961

FRENO DI STAZIONAMENTO

Hp 75

CODE REV

D.15.02.L60007_1



Pos.	Code	Q.ty	Description	Notes
35	56176221	1	PIPE FITTING	
36	58177642	1	ACCUMULATOR	
37	F0814627000	1	NUT M10	
38	58172463	5	ELECTRO VALVE	
39	56178679	1	SMALL BLOCK	
40	P254124000000	8	WASHER	
41	F0824141000	1	COPPER WASHER 21x27/1,5	
42	59076415	1	PIPE FITTING	
43	F0835022000	1	NIPPLE	
44	58076232	1	FLEXIBLE HOSE	
45	58076231	1	FLEXIBLE HOSE	
46	F0843771000	2	COPPER WASHER 10,0x16/1	
47	59076217	1	PIPE	
48	56178695	8	THREADED TERMINAL END	
49	56170413	1	PIPE FITTING	
50	F0843107000	1	PIPE FITTING GAS 1/4	
51	59076216	1	PIPE	
52	F0814843050	1	NUT M20X1,5	
53	59076219	1	PRESSURE PIPE	
54	30000245	1	PIPE FITTING	
55	58074558	1	PIPE FITTING	
56	F0843907000	7	COPPER WASHER 13,66x19/1,5	
57	F0862448100	1	SCREW M8X10 UNI 5740	
58	58176244	1	PIPE FITTING	
59	58076325	1	FLEXIBLE HOSE	
60	59271011	1	UNIT	
61	58173399	1	PRESSURE SWITCH	
62	F0843841000	1	COPPER WASHER 12,0x18/1,5	
63	F0801310700	1	SAFETY RING	
64	31111102	3	SCREW TE M6X50 UNI 5737 8G	
65	58076326	1	FLEXIBLE HOSE	
66	59076501	1	PIPE	
67	31231090	1	NUT M10	

SERIAL
START
907961

FRENO DI STAZIONAMENTO

Hp 75

CODE REV
D.15.02.L60007_1

Pos.	Code	Q.ty	Description	Notes
2	31111156	1	SCREW TE M8X50 UNI 5737 CL 10.9	
5	35111062	3	SEEGER RING	
38	35121012	2	SEEGER RING	
8	35121031	1	SEEGER RING	
7	37111299	1	BEARING	
20	37320220	1	ROLLER CAGE 20x26/17	
10	38115682	2	RING	
36	38212601	1	OIL SEAL 25X32X7	
22	51175810	1	FRONT COVER	
37	52475817	1	SLIDING BLOCK	
19	52475835	1	SLIDING SLEEVE	
21	52475836	1	FIX SLEEVE	
24	52478613	1	COUNTERSHAFT	
4	52478812	1	SHAFT	
13	56075831	1	PISTON	
41	56375819	3	DISC	
33	56375829	1	STUD BOLT	
3	56375876	1	SCREW	
35	56376243	1	STUD BOLT	
34	56376255	1	STUD BOLT	
9	56377906	1	MANIFOLD	
31	56577429	1	LEVER	
32	56579291	1	RIG PIN	
18	58075833	1	SPRING	
11	58077908	2	RING	
39	58175816	2	SECTOR	
40	58175818	2	SECTOR	
16	58175837	1	GASKET	
17	58175838	1	GASKET	
1	58178810	1	JOINT	
25	59376016	1	BEVEL GEAR	
30	F0801183000	1	SAFETY RING	
42	F0801190100	1	SAFETY RING	
26	F0801241005	2	SAFETY RING	

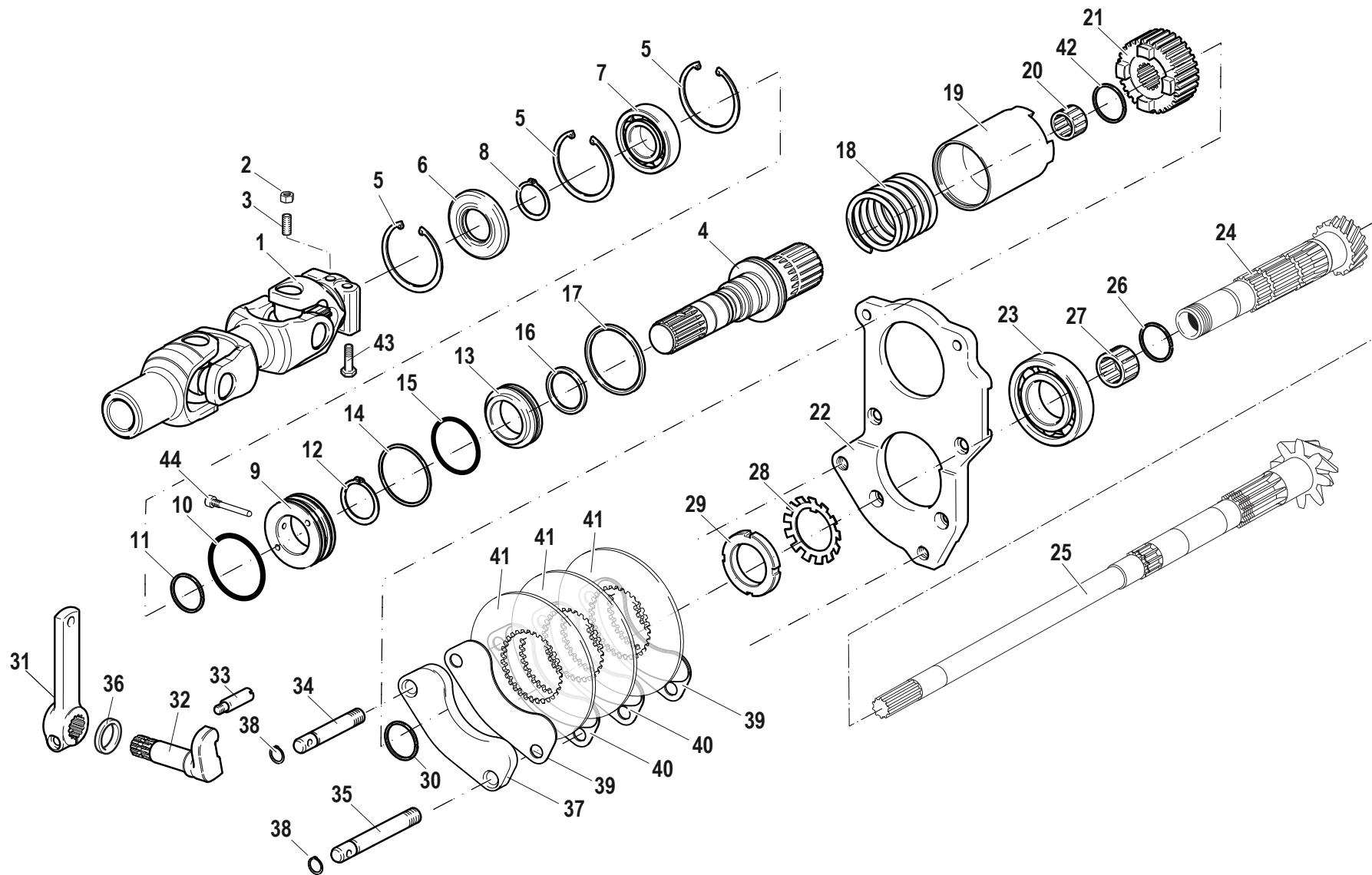
SERIAL

FRONT DRIVE

CODE REV

D.16.01.L60002_0

Pos.	Code	Q.ty	Description	Notes
12	F0801264050	1	SEEGER RING	
14	F0801380100	1	SAFETY RING	
6	F0802125100	1	OIL SEAL 30X62X7	
15	F0803209080	1	O-RING	
27	F0812689000	1	ROLLER CAGE K 25X30/20 H	
23	F0812899000	1	BEARING 6208-NR	
29	F0821054000	1	RING NUT KM 8(M40X1,5)DIN 981	
28	F0844539000	1	WASHER	



Pos.	Code	Q.ty	Description	Notes
1	58178872	1	JOINT	
2	31241080	1	HEXAGON SELFLOCK NUT M8	
3	F0862657000	1	GRAIN	
4	52475830	1	SHAFT	
5	35111062	3	SEEGER RING	
6	F0802125100	1	OIL SEAL 30X62X7	
7	37111299	1	BEARING	
8	35121030	1	SEEGER RING	
9	56375832	1	MANIFOLD	
10	F0803210000	2	O-RING	
11	58072398	2	SEAL	
12	F0801264050	1	SEEGER RING	
13	56075831	1	PISTON	
14	F0801380100	1	SAFETY RING	
15	F0803209080	1	O-RING	
16	58175837	1	GASKET	
17	58175838	1	GASKET	
18	58075833	1	SPRING	
19	52475835	1	SLIDING SLEEVE	
20	37320220	1	ROLLER CAGE 20x26/17	
21	52475836	1	FIX SLEEVE	
22	51175810	1	FRONT COVER	
23	F0812899000	1	BEARING 6208-NR	
24	52478613	1	COUNTERSHAFT	
25	59376016	1	BEVEL GEAR	
26	F0801241005	2	SAFETY RING	
27	F0812689000	1	ROLLER CAGE K 25X30/20 H	
28	F0844539000	1	WASHER	
29	F0821054000	1	RING NUT KM 8(M40X1,5)DIN 981	
30	F0801183000	1	SAFETY RING	
31	56576723	1	LEVER	
32	56576724	1	PIN	
33	56375829	1	STUD BOLT	
34	56376255	1	STUD BOLT	

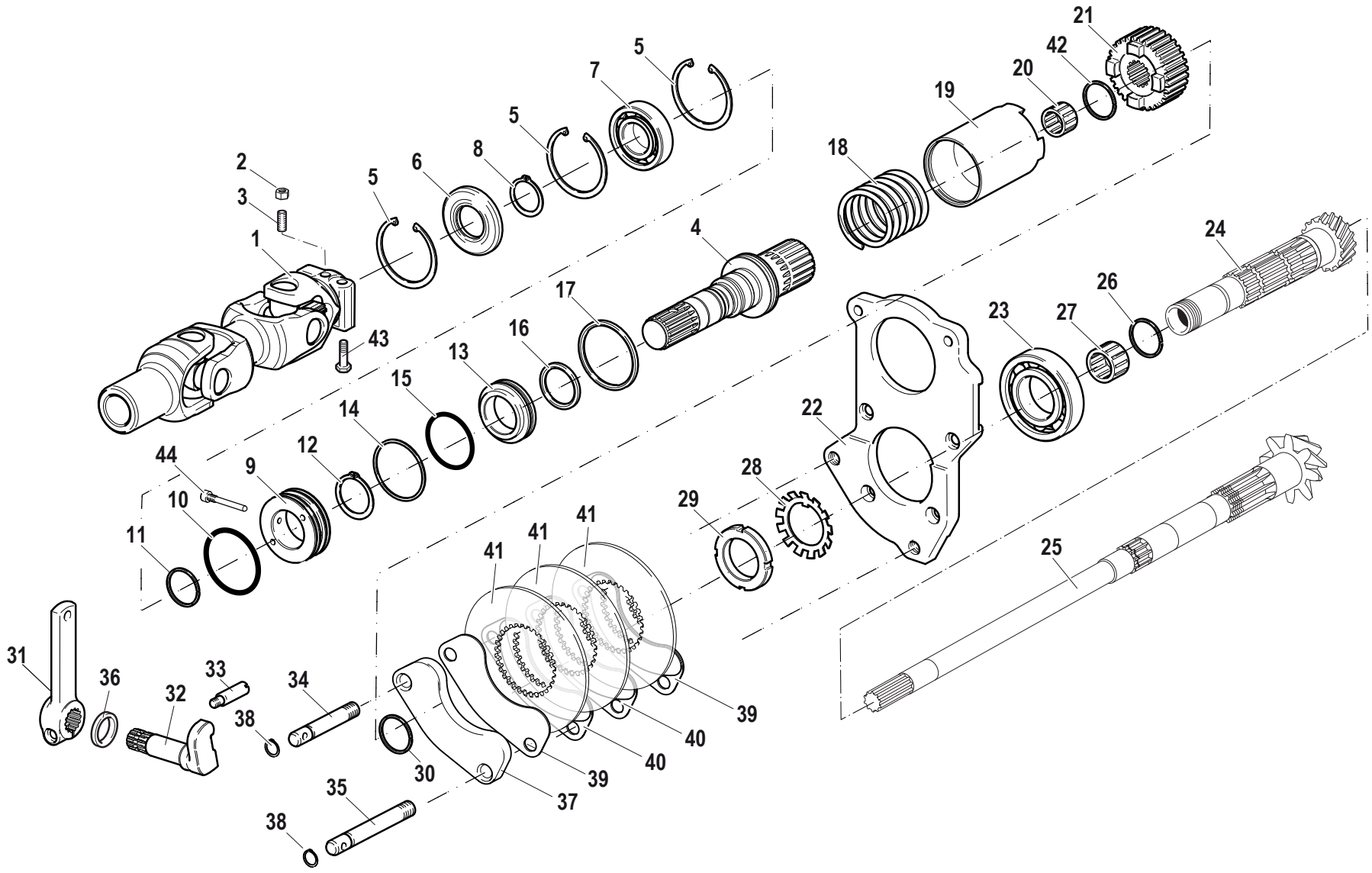
SERIAL
END

908168

Hp 75

CODE REV

D.16.01.L60007_0



D.16.01.L60007_0

Pos.	Code	Q.ty	Description	Notes
35	56376243	1	STUD BOLT	
36	F0802088050	1	SEAL 22x32x6	
37	52475817	1	SLIDING BLOCK	
38	35121012	2	SEEGER RING	
39	58175816	2	SECTOR	
40	58175818	2	SECTOR	
41	56375819	3	DISC	
42	F0801190100	1	SAFETY RING	
43	F0862785000	1	SCREW	
44	56375876	1	SCREW	

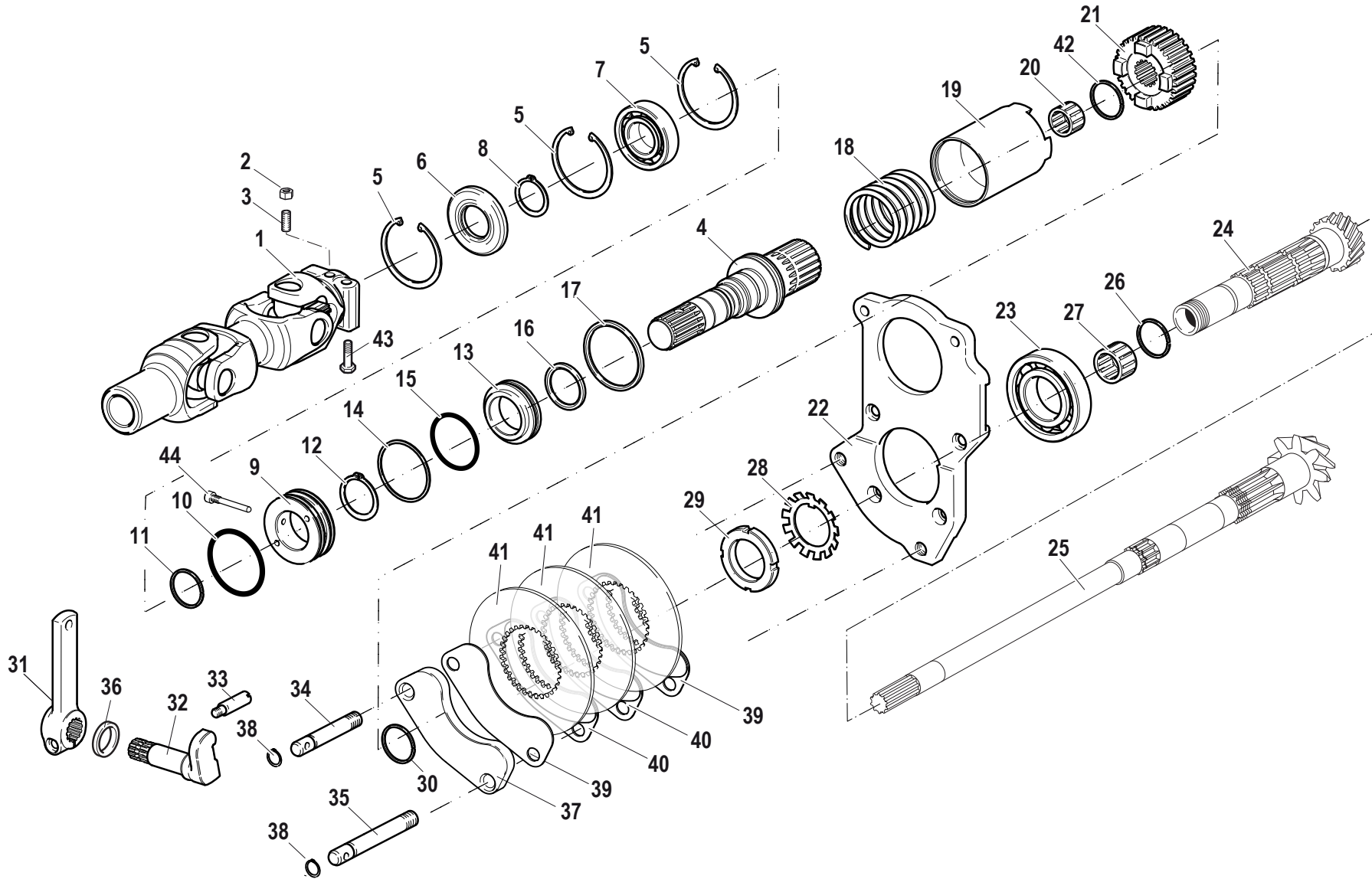
SERIAL
END

908168

Hp 75

CODE REV

D.16.01.L60007_0



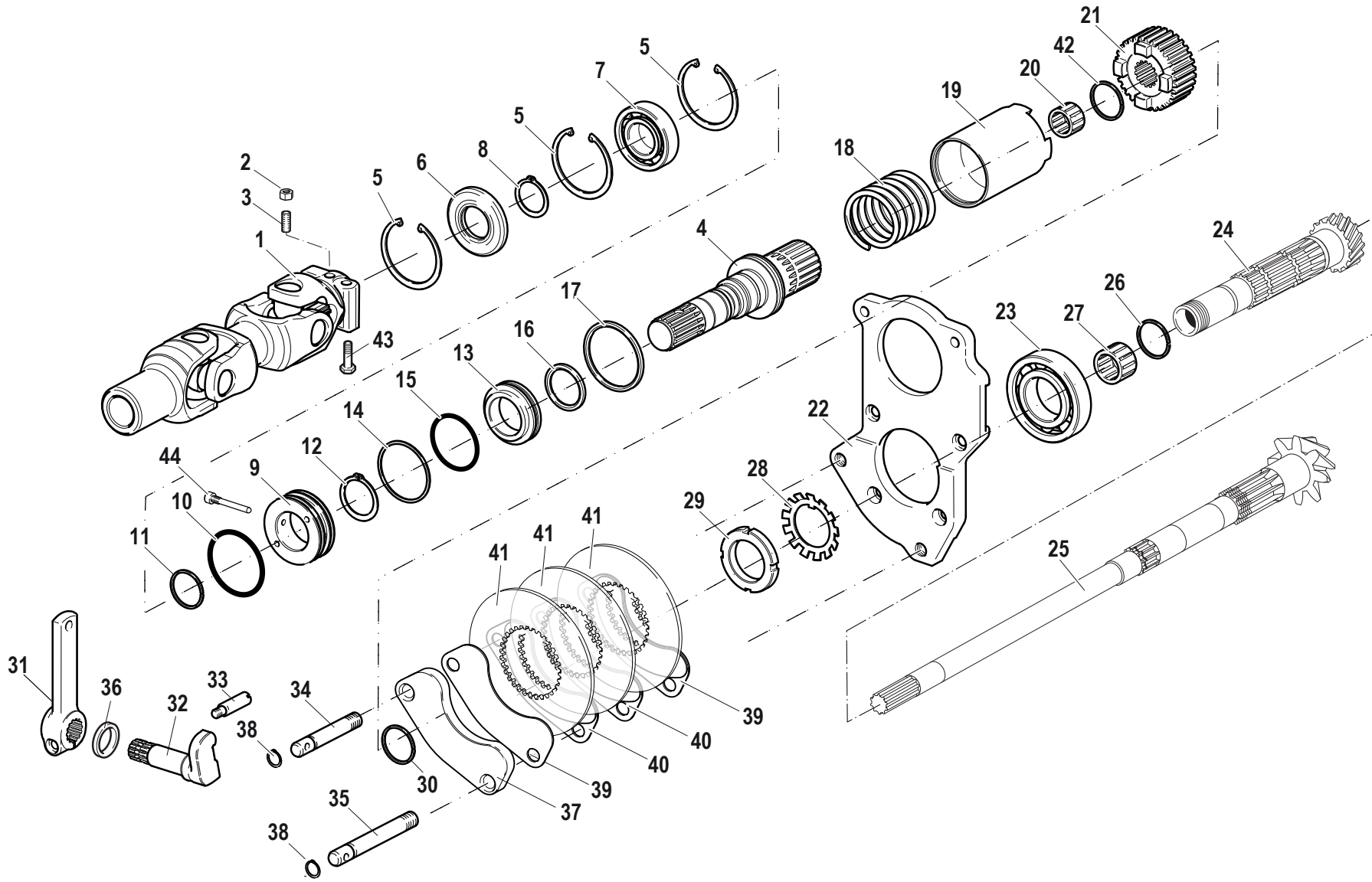
Pos.	Code	Q.ty	Description	Notes
1	58178872	1	JOINT	
2	31241080	1	HEXAGON SELFLOCK NUT M8	
3	F0862657000	1	GRAIN	
4	52475830	1	SHAFT	
5	35111062	3	SEEGER RING	
6	F0802125100	1	OIL SEAL 30X62X7	
7	37111299	1	BEARING	
8	35121030	1	SEEGER RING	
9	56375832	1	MANIFOLD	
10	F0803210000	2	O-RING	
11	58072398	2	SEAL	
12	F0801264050	1	SEEGER RING	
13	56075831	1	PISTON	
14	F0801380100	1	SAFETY RING	
15	F0803209080	1	O-RING	
16	58175837	1	GASKET	
17	58175838	1	GASKET	
18	58075833	1	SPRING	
19	52475835	1	SLIDING SLEEVE	
20	37320220	1	ROLLER CAGE 20x26/17	
21	52475836	1	FIX SLEEVE	
22	51175810	1	FRONT COVER	
23	F0812899000	1	BEARING 6208-NR	
24	52478613	1	COUNTERSHAFT	
25	59376016	1	BEVEL GEAR	
26	F0801241005	2	SAFETY RING	
27	F0812689000	1	ROLLER CAGE K 25X30/20 H	
28	F0844539000	1	WASHER	
29	F0821054000	1	RING NUT KM 8(M40X1,5)DIN 981	
30	F0801183000	1	SAFETY RING	
31	56577429	1	LEVER	029/05
32	56579291	1	RIG PIN	029/05
33	56375829	1	STUD BOLT	
34	56376255	1	STUD BOLT	

SERIAL
START
908169

END
911833

Hp 75

CODE REV
D.16.01.L60007_1



D.16.01.L60007_1

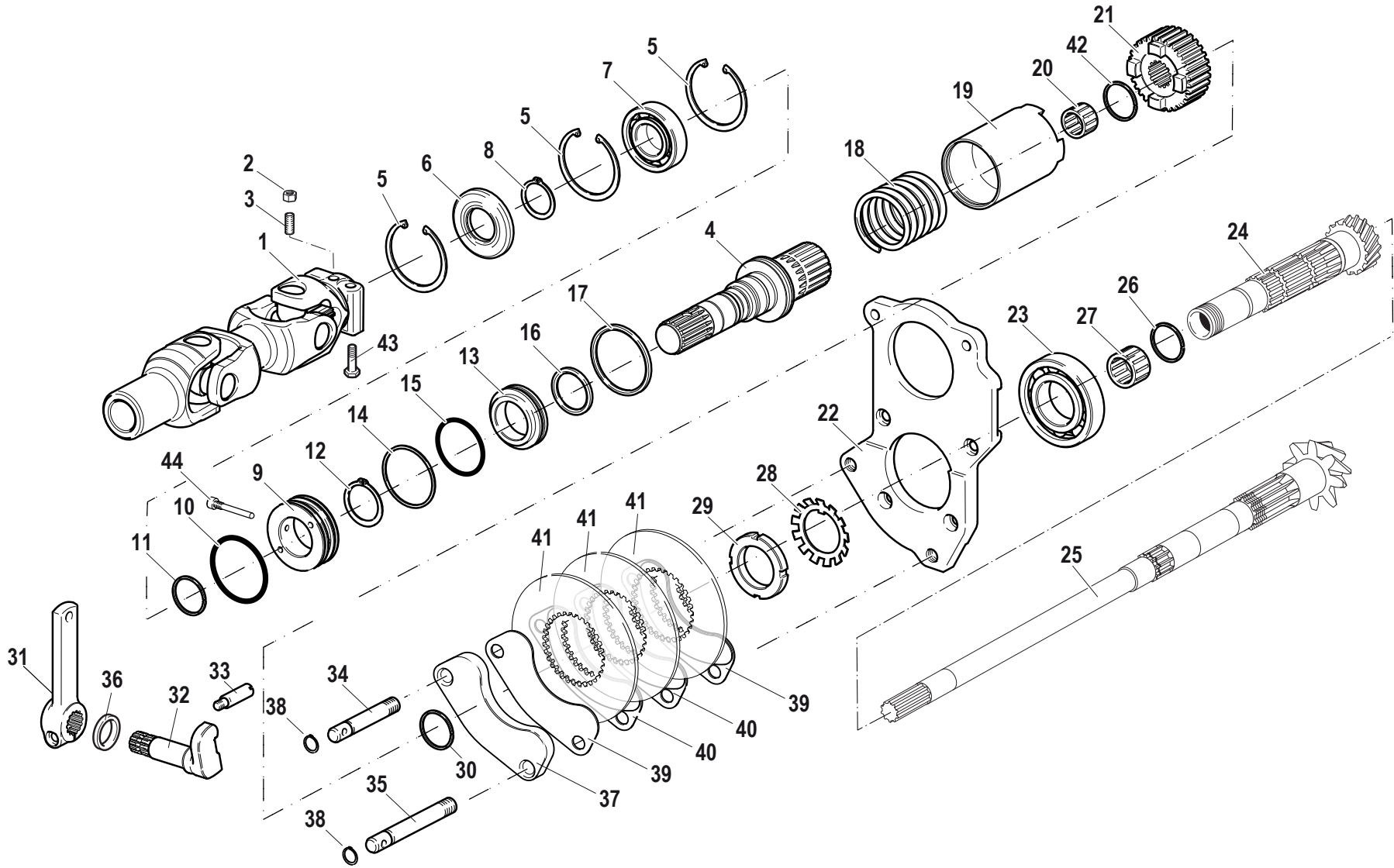
Pos.	Code	Q.ty	Description	Notes
35	56376243	1	STUD BOLT	
36	38212601	1	OIL SEAL 25X32X7	029/05
37	52475817	1	SLIDING BLOCK	
38	35121012	2	SEEGER RING	
39	58175816	2	SECTOR	
40	58175818	2	SECTOR	
41	56375819	3	DISC	
42	F0801190100	1	SAFETY RING	
43	F0862785000	1	SCREW	
44	56375876	1	SCREW	

SERIAL
START
908169

END
911833

Hp 75

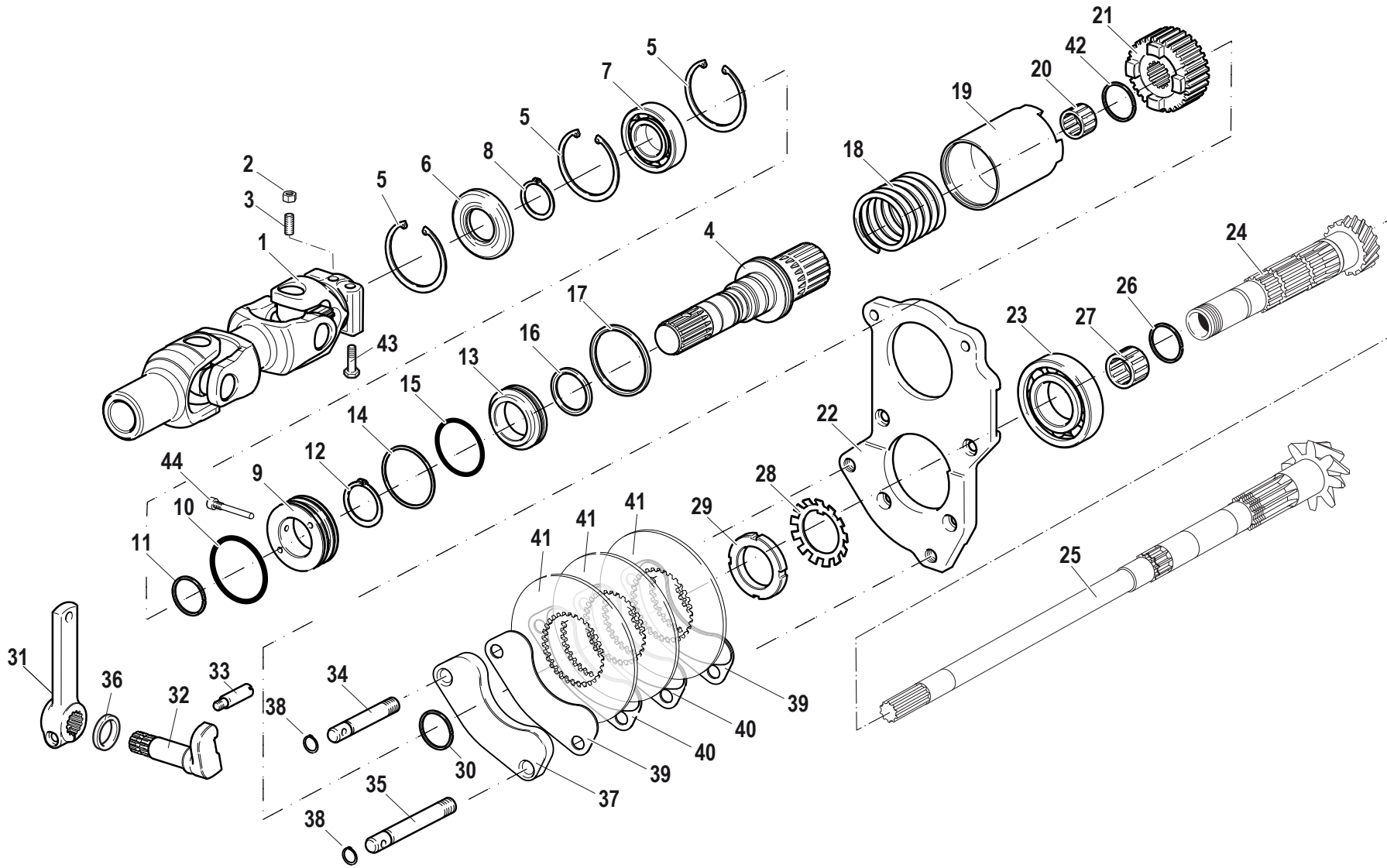
CODE REV
D.16.01.L60007_1



Pos.	Code	Q.ty	Description	Notes
1	58178872	1	JOINT	
2	31241080	1	HEXAGON SELFLOCK NUT M8	
3	F0862657000	1	GRAIN	
4	52477905	1	PTO SHAFT	209/05
5	35111062	3	SEEGER RING	
6	F0802125100	1	OIL SEAL 30X62X7	
7	37111299	1	BEARING	
8	35121031	1	SEEGER RING	209/05
9	56377906	1	MANIFOLD	209/05
10	F0803210000	2	O-RING	
11	58077908	2	RING	209/05
12	F0801264050	1	SEEGER RING	
13	56075831	1	PISTON	
14	F0801380100	1	SAFETY RING	
15	F0803209080	1	O-RING	
16	58175837	1	GASKET	
17	58175838	1	GASKET	
18	58075833	1	SPRING	
19	52475835	1	SLIDING SLEEVE	
20	37320220	1	ROLLER CAGE 20x26/17	
21	52475836	1	FIX SLEEVE	
22	51175810	1	FRONT COVER	
23	F0812899000	1	BEARING 6208-NR	
24	52478613	1	COUNTERSHAFT	
25	59376016	1	BEVEL GEAR	
26	F0801241005	2	SAFETY RING	
27	F0812689000	1	ROLLER CAGE K 25X30/20 H	
28	F0844539000	1	WASHER	
29	F0821054000	1	RING NUT KM 8(M40X1,5)DIN 981	
30	F0801183000	1	SAFETY RING	
31	56577429	1	LEVER	
32	56579291	1	RIG PIN	
33	56375829	1	STUD BOLT	
34	56376255	1	STUD BOLT	

SERIAL
START
911834

END
912719



D.16.01.L60007_2

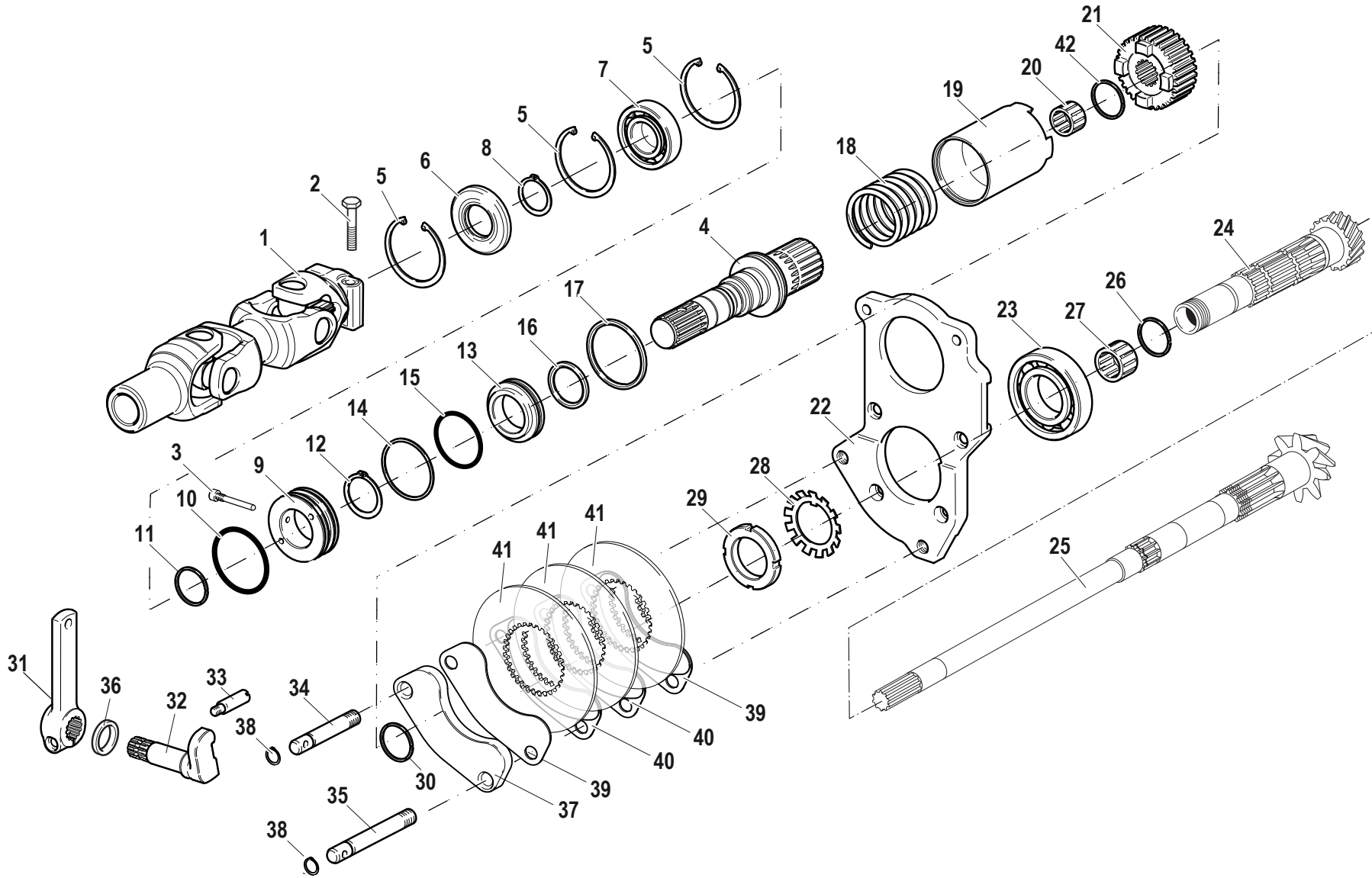
Pos.	Code	Q.ty	Description	Notes
35	56376243	1	STUD BOLT	
36	38212601	1	OIL SEAL 25X32X7	
37	52475817	1	SLIDING BLOCK	
38	35121012	2	SEEGER RING	
39	58175816	2	SECTOR	
40	58175818	2	SECTOR	
41	56375819	3	DISC	
42	F0801190100	1	SAFETY RING	
43	F0862785000	1	SCREW	
44	56375876	1	SCREW	

SERIAL
START
911834

END
912719

Hp 75

CODE REV
D.16.01.L60007_2



D.16.01.L60007_3

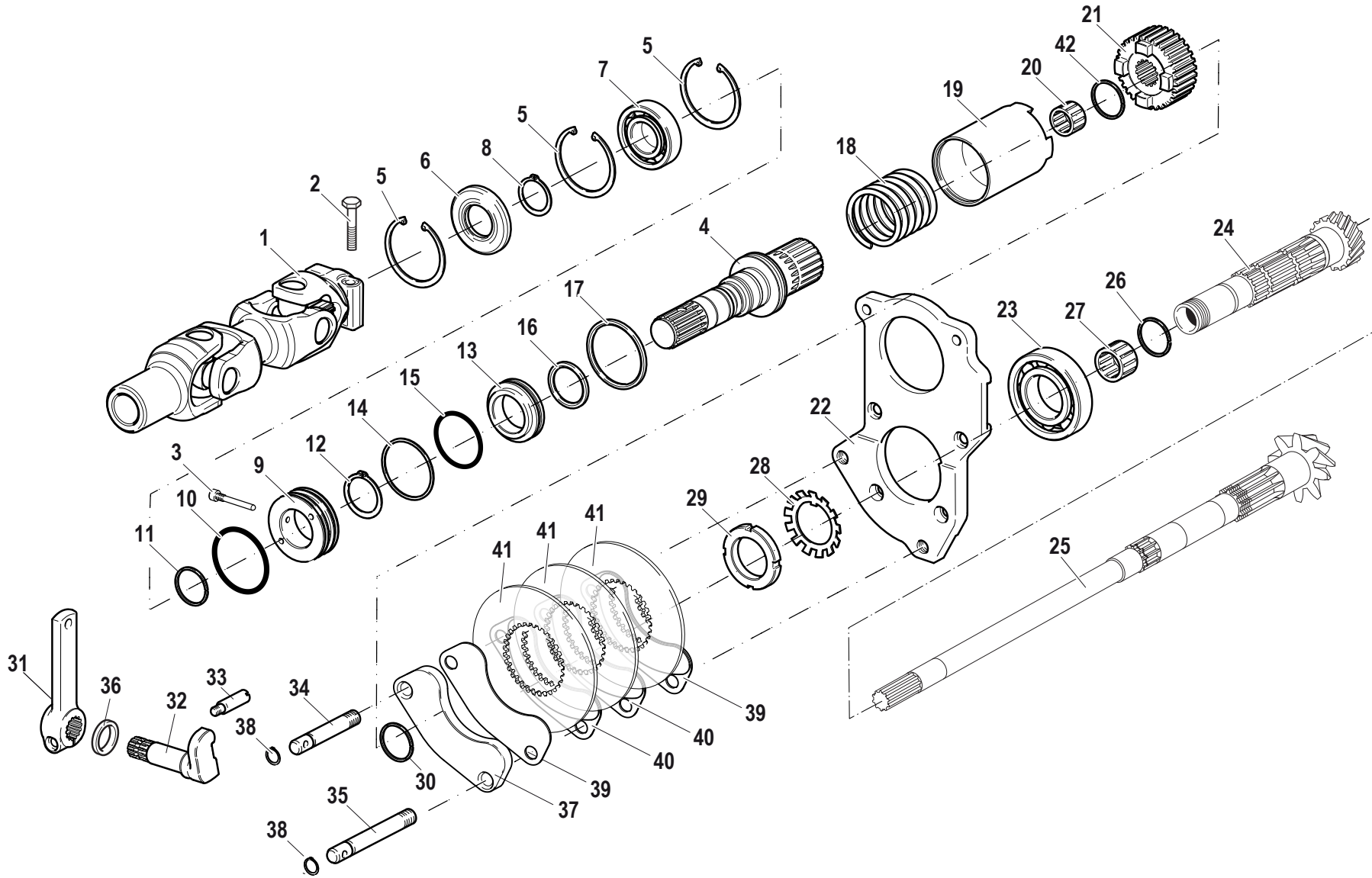
Pos.	Code	Q.ty	Description	Notes
1	58178810	1	JOINT	099/06
2	31111156	1	SCREW TE M8X50 UNI 5737 CL 10.9	099/06
3	56375876	1	SCREW	
4	52478812	1	SHAFT	099/06
5	35111062	3	SEEGER RING	
6	F0802125100	1	OIL SEAL 30X62X7	
7	37111299	1	BEARING	
8	35121031	1	SEEGER RING	
9	56377906	1	MANIFOLD	
10	F0803210000	2	O-RING	
11	58077908	2	RING	
12	F0801264050	1	SEEGER RING	
13	56075831	1	PISTON	
14	F0801380100	1	SAFETY RING	
15	F0803209080	1	O-RING	
16	58175837	1	GASKET	
17	58175838	1	GASKET	
18	58075833	1	SPRING	
19	52475835	1	SLIDING SLEEVE	
20	37320220	1	ROLLER CAGE 20x26/17	
21	52475836	1	FIX SLEEVE	
22	51175810	1	FRONT COVER	
23	F0812899000	1	BEARING 6208-NR	
24	52478613	1	COUNTERSHAFT	
25	59376016	1	BEVEL GEAR	
26	F0801241005	2	SAFETY RING	
27	F0812689000	1	ROLLER CAGE K 25X30/20 H	
28	F0844539000	1	WASHER	
29	F0821054000	1	RING NUT KM 8(M40X1,5)DIN 981	
30	F0801183000	1	SAFETY RING	
31	56577429	1	LEVER	
32	56579291	1	RIG PIN	
33	56375829	1	STUD BOLT	
34	56376255	1	STUD BOLT	

SERIAL
START
912720

Hp 75

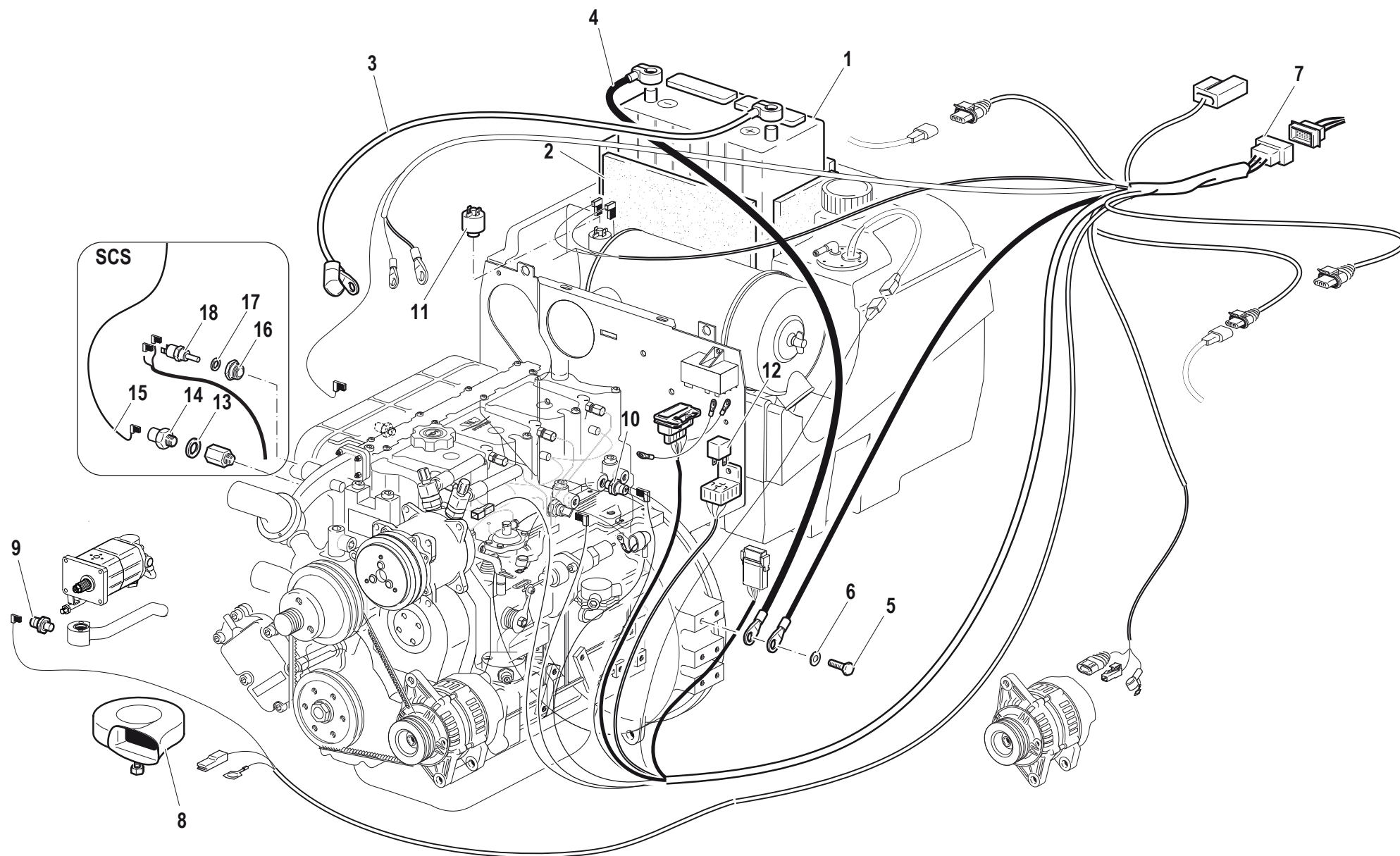
CODE REV

D.16.01.L60007_3



D.16.01.L60007_3

Pos.	Code	Q.ty	Description	Notes
35	56376243	1	STUD BOLT	
36	38212601	1	OIL SEAL 25X32X7	
37	52475817	1	SLIDING BLOCK	
38	35121012	2	SEEGER RING	
39	58175816	2	SECTOR	
40	58175818	2	SECTOR	
41	56375819	3	DISC	
42	F0801190100	1	SAFETY RING	



Pos.	Code	Q.ty	Description	Notes
1	F0825480100	1	BATTERY	
2	F0190018909	1	LINING	
3	58071313	1	CABLE	
4	58072081	1	CABLE	
5	31112210	1	SCREW TE M10X20 UNI 5739	
6	F0843755000	1	WASHER 10	
7	58076509	1	CABLE	
8	F0825417000	1	HORN	
9	58175122	1	DIGITAL INSTRUMENT	
10	58175773	1	ELECTRONICAL THERMOMETER	
11	59900146	1	VALVE	
12	59901507	1	RELAY	
13	F0844030070	1	COPPER WASHER 16,0x22/1,5	
14	58179276	1	SWITCH	
15	58079277	1	CABLE	
16	56177938	1	REDUCING BUSH	
17	F0824113000	1	COPPER WASHER 18X24/1,5	
18	59901061	1	THERMOSTAT	

SERIAL
END

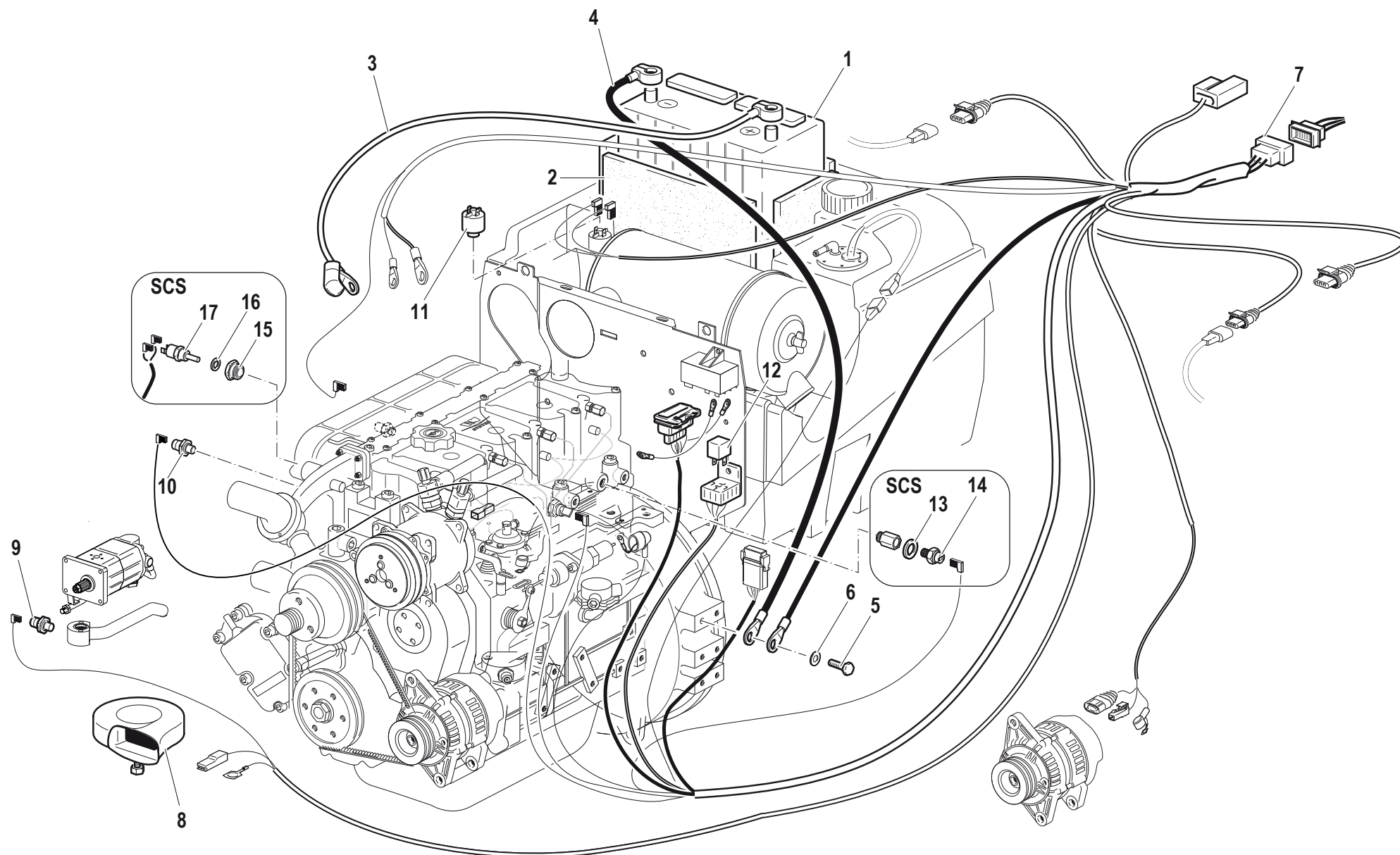
915999

IMPIANTO ELETTRICO MOTORE

Hp 75

CODE REV

E.01.01.L60007_0



Pos.	Code	Q.ty	Description	Notes
1	F0825480100	1	BATTERY	
2	F0190018909	1	LINING	
3	58071313	1	CABLE	
4	58072081	1	CABLE	
5	31112210	1	SCREW TE M10X20 UNI 5739	
6	F0843755000	1	WASHER 10	
7	58079755	1	CABLE	010-08
8	F0825417000	1	HORN	
9	58175122	1	DIGITAL INSTRUMENT	
10	58175773	1	ELECTRONICAL THERMOMETER	
11	59900146	1	VALVE	
12	59901507	1	RELAY	
13	F0844030070	1	COPPER WASHER 16,0x22/1,5	
14	58179276	1	SWITCH	
15	56177938	1	REDUCING BUSH	
16	F0824113000	1	COPPER WASHER 18X24/1,5	
17	59901061	1	THERMOSTAT	

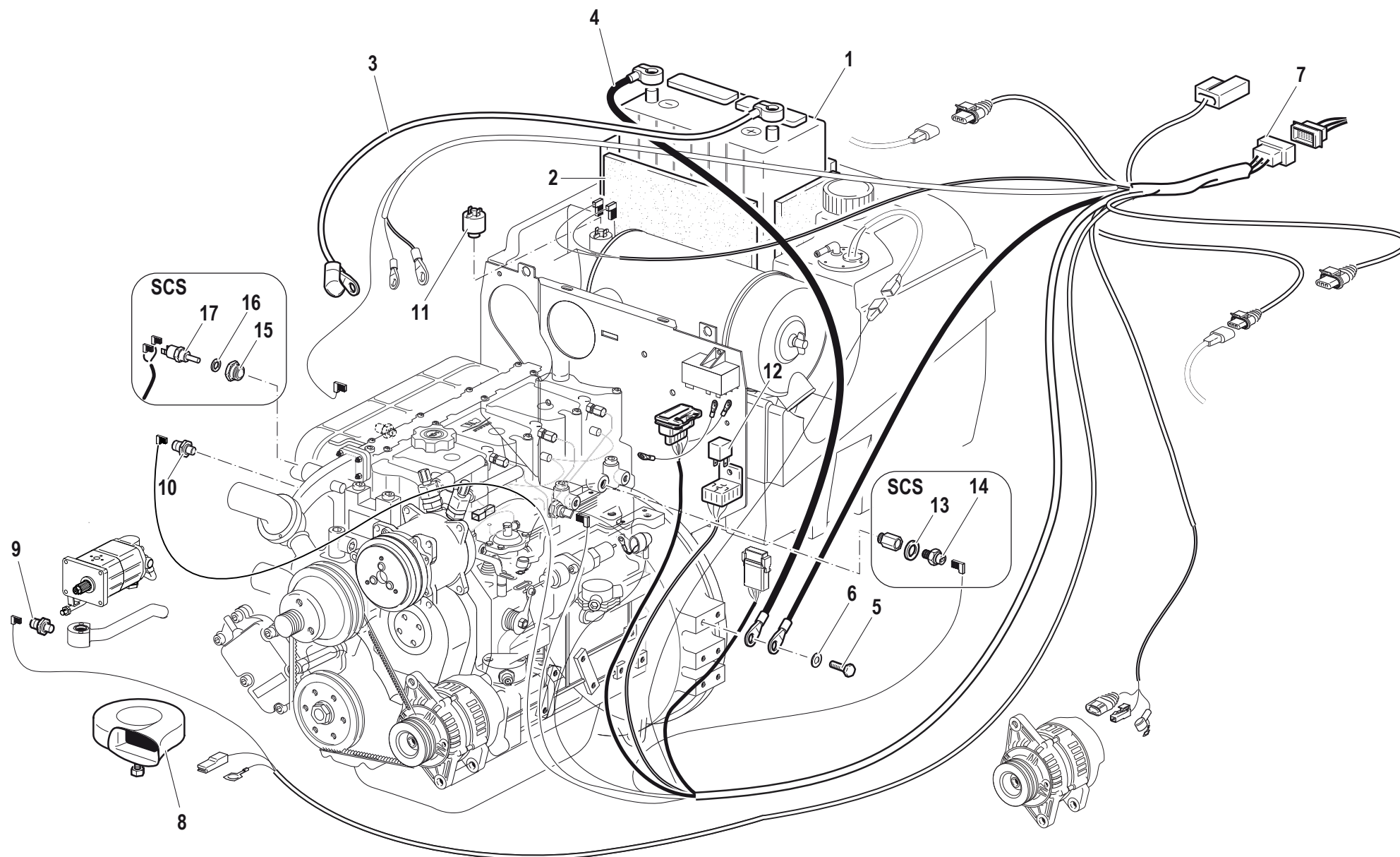
SERIAL
START
916000

END
917506

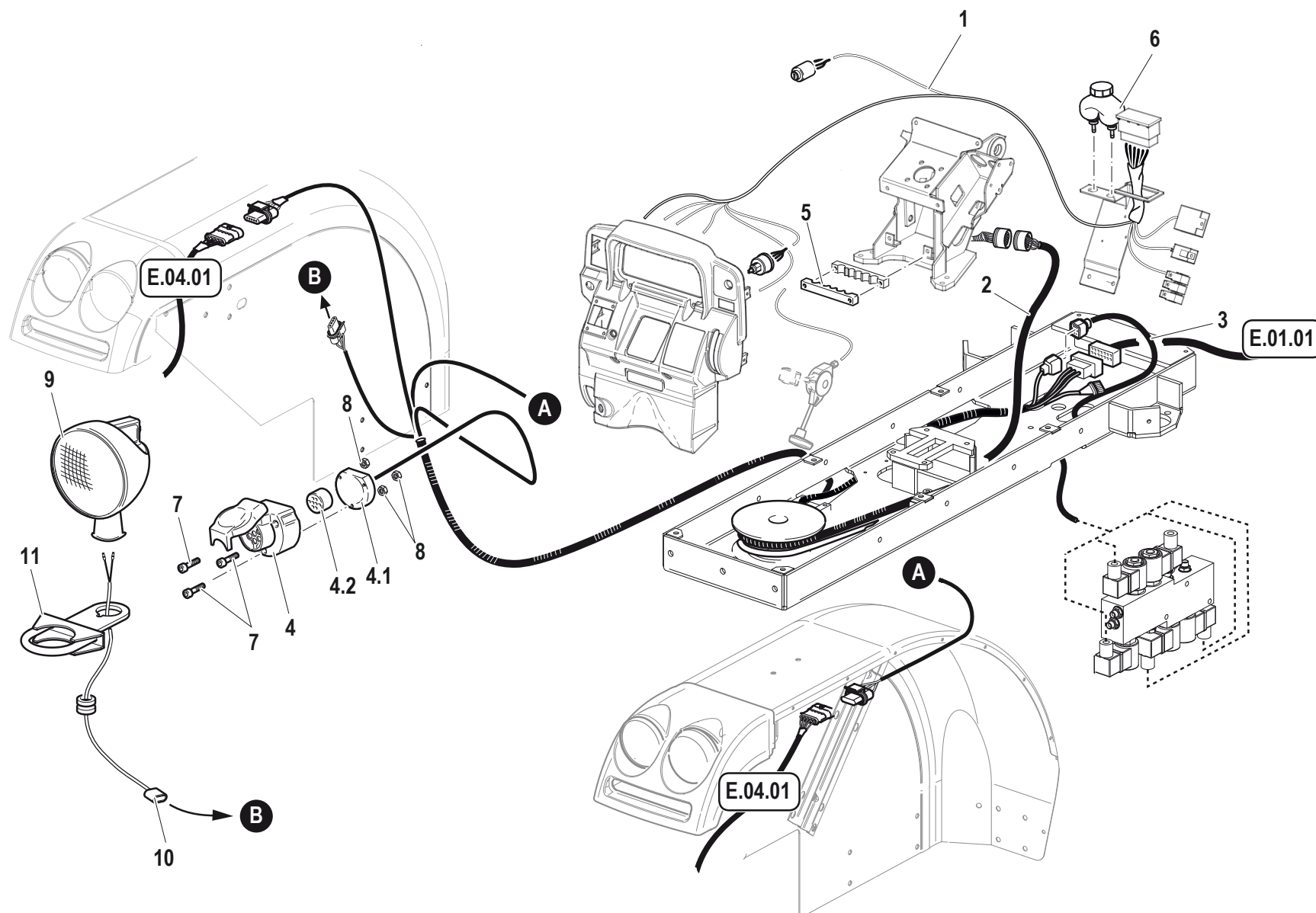
IMPIANTO ELETTRICO ANTERIORE

CODE REV

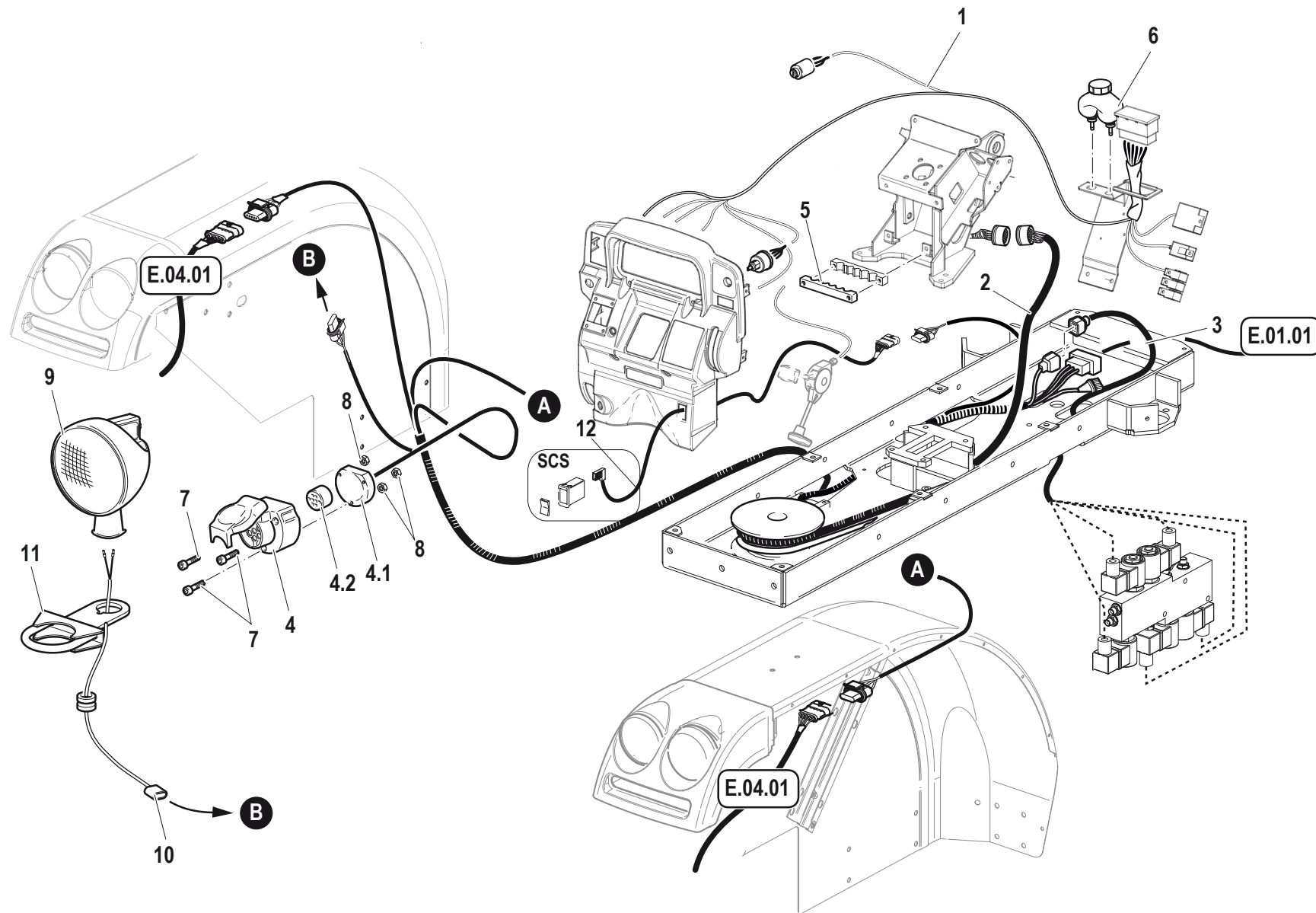
E.01.01.L60008_1



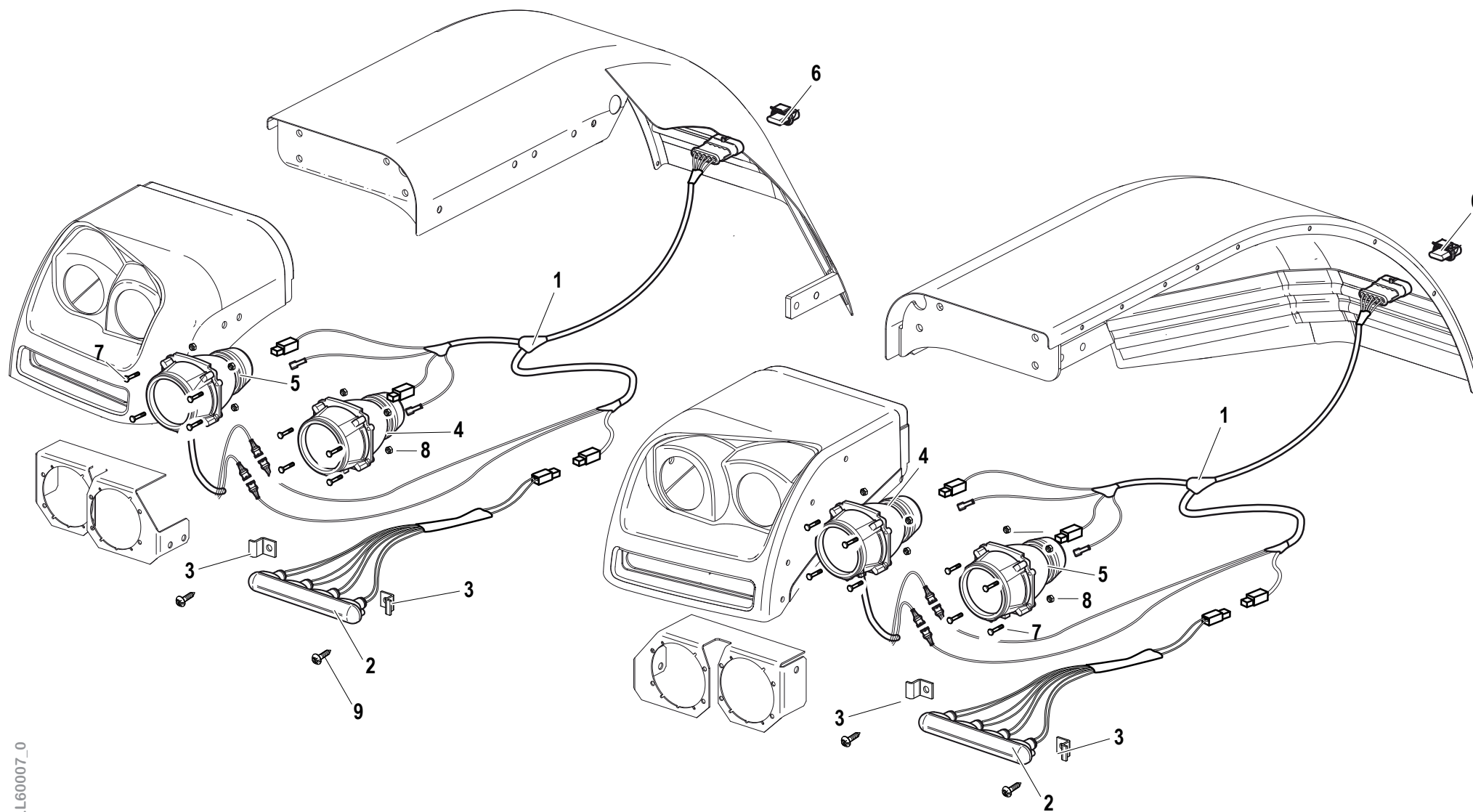
Pos.	Code	Q.ty	Description	Notes
1	F0825480100	1	BATTERY	
2	F0190018909	1	LINING	
3	58071313	1	CABLE	
4	58072081	1	CABLE	
5	31112210	1	SCREW TE M10X20 UNI 5739	
6	F0843755000	1	WASHER 10	
7	580A0123	1	CABLE	097-08
8	F0825417000	1	HORN	
9	58175122	1	DIGITAL INSTRUMENT	
10	58175773	1	ELECTRONICAL THERMOMETER	
11	59900146	1	VALVE	
12	59901507	1	RELAY	
13	F0844030070	1	COPPER WASHER 16,0x22/1,5	
14	58179276	1	SWITCH	
15	56177938	1	REDUCING BUSH	
16	F0824113000	1	COPPER WASHER 18X24/1,5	
17	59901061	1	THERMOSTAT	



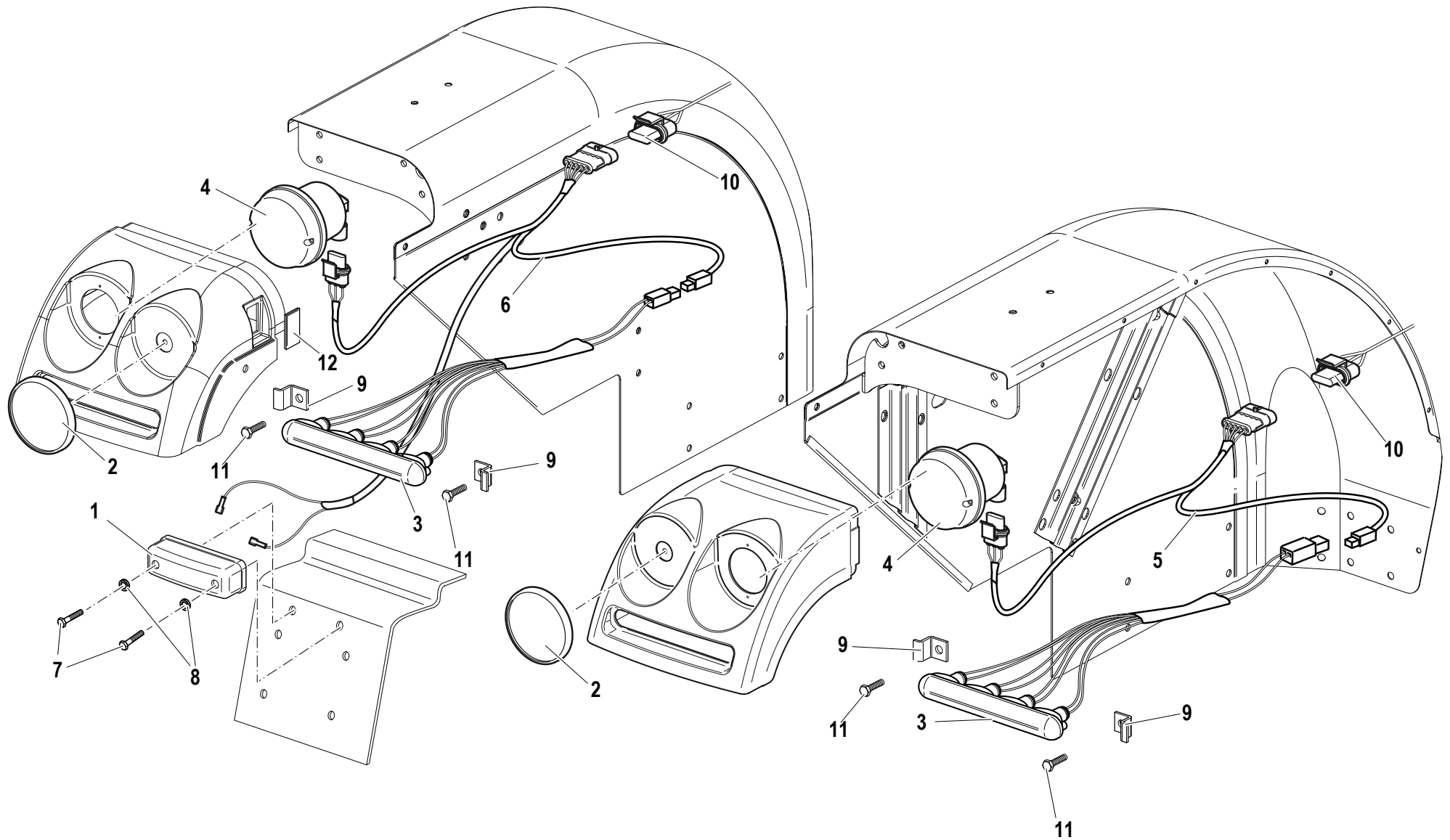
Pos.	Code	Q.ty	Description	Notes
1	58076508	1	CABLE	
2	58076510	1	CABLE	
3	58078881	1	WIRING	
4	F0825438000	1	SOCKET	
5	56176142	1	COMB	
6	P238176000000	1	TANK	
7	F0861941000	3	SCREW	
8	31211050	3	NUT M5	
9	F0825493000	1	HEADLIGHT	
10	58077305	1	CABLE	
11	59077242	1	SUPPORT	
4.1	58170572	1	CAP	
4.2	58170571	1	ATTACHMENT PLUG	



Pos.	Code	Q.ty	Description	Notes
1	580A0946	1	CABLE	097-08
2	580A0124	1	CABLE	097-08
3	58078881	1	WIRING	
4	F0825438000	1	SOCKET	
5	56176142	1	COMB	
6	P238176000000	1	TANK	
7	F0861941000	3	SCREW	
8	31211050	3	NUT M5	
9	F0825493000	1	HEADLIGHT	
10	58077305	1	CABLE	
11	59077242	1	SUPPORT	
12	580A0127	1	CABLE	097-08
4.1	58170572	1	CAP	
4.2	58170571	1	ATTACHMENT PLUG	

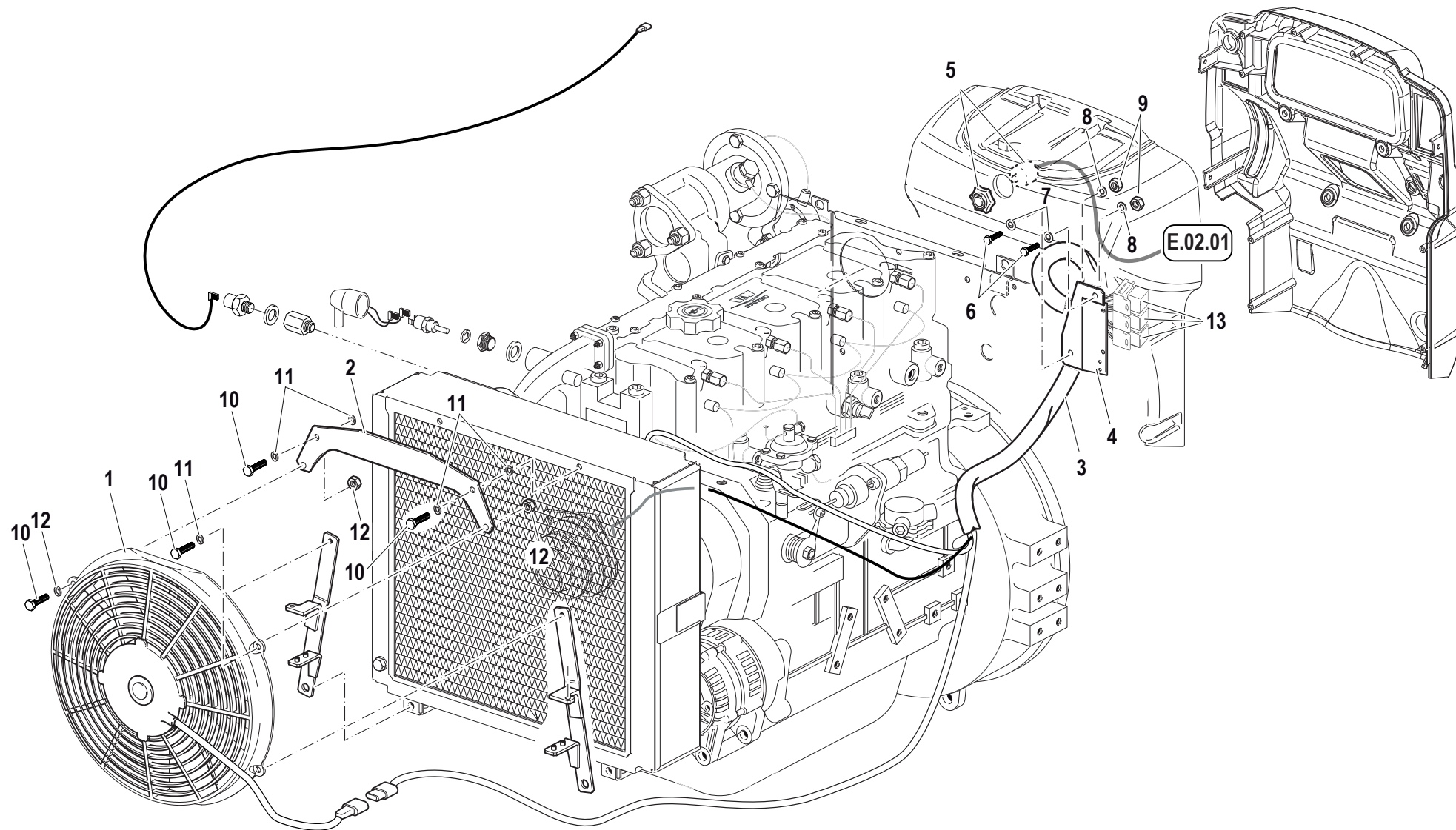


Pos.	Code	Q.ty	Description	Notes
1	58077060	2	CABLE	
2	58176406	2	INDICATOR	
3	56177045	4	RETAINER	
4	58176394	2	OPTICAL GROUP	
5	58176395	2	OPTICAL GROUP	
6	58076510	1	CABLE	
7	31111084	16	SCREW TE M4X16 UNI 5739 8G	
8	31241040	16	SELFLOCK NUT M4	
9	F0861830100	4	RIBBED SCREW 3,9X13AB DIN7981	



Pos.	Code	Q.ty	Description	Notes
1	30000506	1	LAMP	
2	58177330	2	REFLECTOR	
3	58176406	2	INDICATOR	
4	58176396	2	LAMP	
5	58077062	1	CABLE	
6	58077061	1	CABLE	
7	31152081	2	SCREW TCEI M8X20 UNI 5931	
8	31211080	2	NUT M8	
9	56177045	4	RETAINER	
10	F0825438000	1	SOCKET	

IMPIANTO ELETTRICO MOTORE (SELF CLEANING SYSTEM)

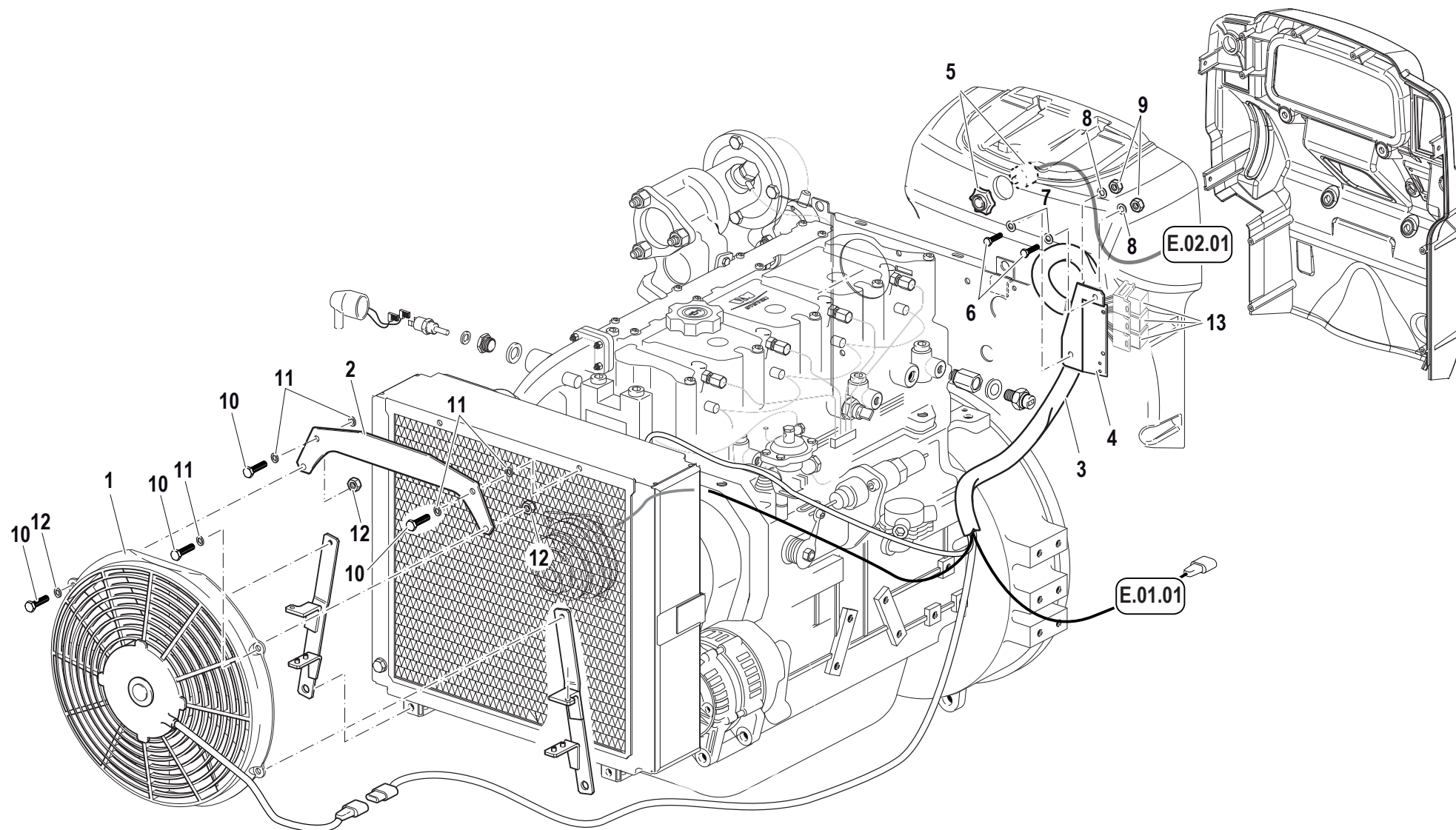


Pos.	Code	Q.ty	Description	Notes
1	58177939	1	FAN	
2	59077945	1	FIXING PLATE	
3	58077984	1	CABLE	
4	56079219	1	RETAINER	
5	58035255	1	BUZZER	
6	31111089	2	SCREW TE M5X10 UNI 5739 8G	
7	31411053	2	WASHER 5,3x10	
8	F0843561000	2	WASHER 5	
9	31211050	2	NUT M5	
10	31112082	4	SCREW TE M6X12 UNI 5739 8G	
11	31411064	6	WASHER 6,4x12,5	
12	31211060	2	HEXAGONAL NUT M8	
13	59901507	3	RELAY	

IMPIANTO ELETTRICO MOTORE (SELF CLEANING SYSTEM)

SERIAL START 917508 END 925255

E.05.01.L60008_1



Pos.	Code	Q.ty	Description	Notes
1	58177939	1	FAN	
2	59077945	1	FIXING PLATE	
3	580A0126	1	CABLE	097-08
4	56079219	1	RETAINER	
5	58035255	1	BUZZER	
6	31111089	2	SCREW TE M5X10 UNI 5739 8G	
7	31411053	2	WASHER 5,3x10	
8	F0843561000	2	WASHER 5	
9	31211050	2	NUT M5	
10	31112082	4	SCREW TE M6X12 UNI 5739 8G	
11	31411064	6	WASHER 6,4x12,5	
12	31211060	2	HEXAGONAL NUT M8	
13	59901507	3	RELAY	

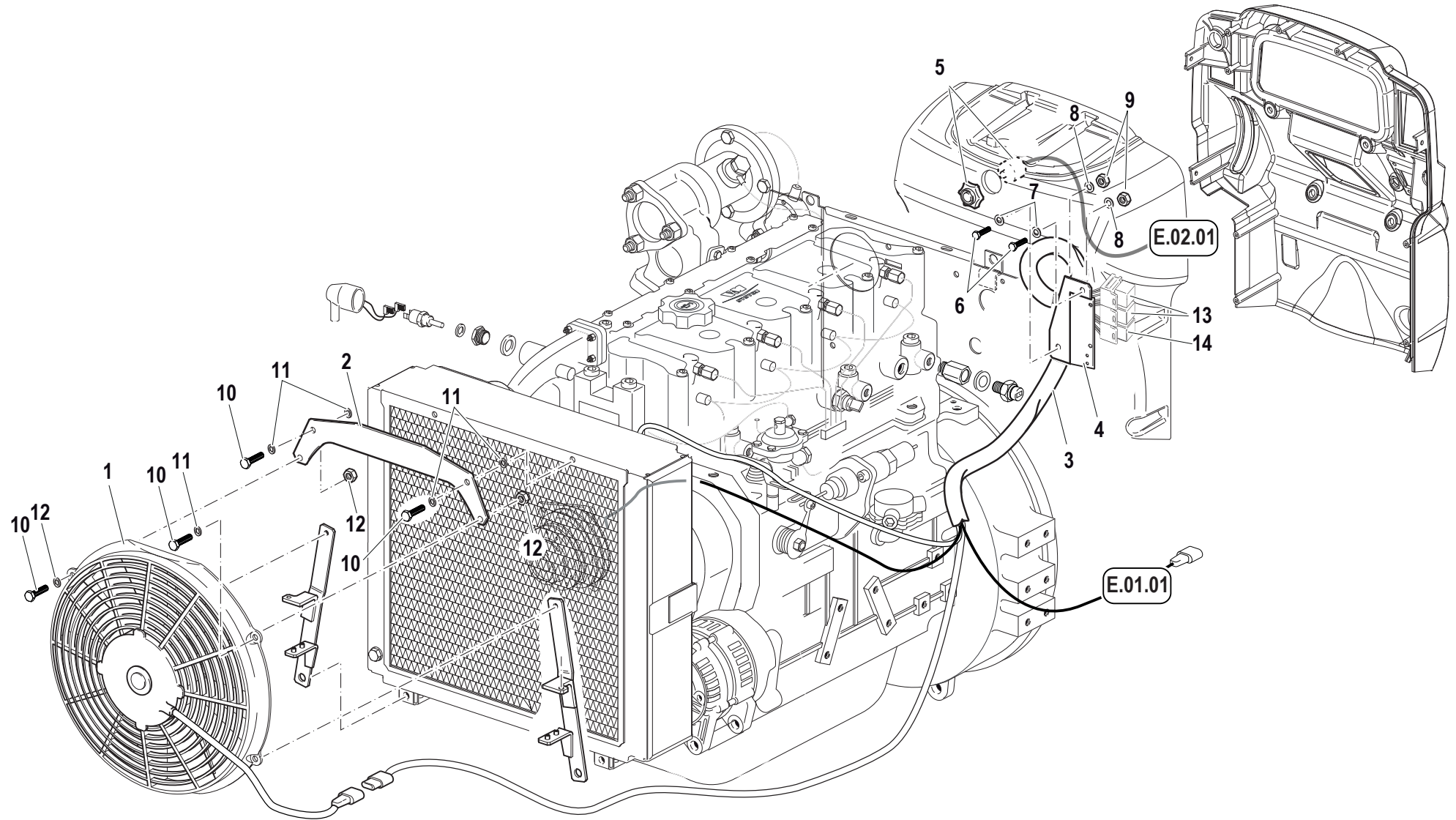
SERIAL
START
917508

END
925255

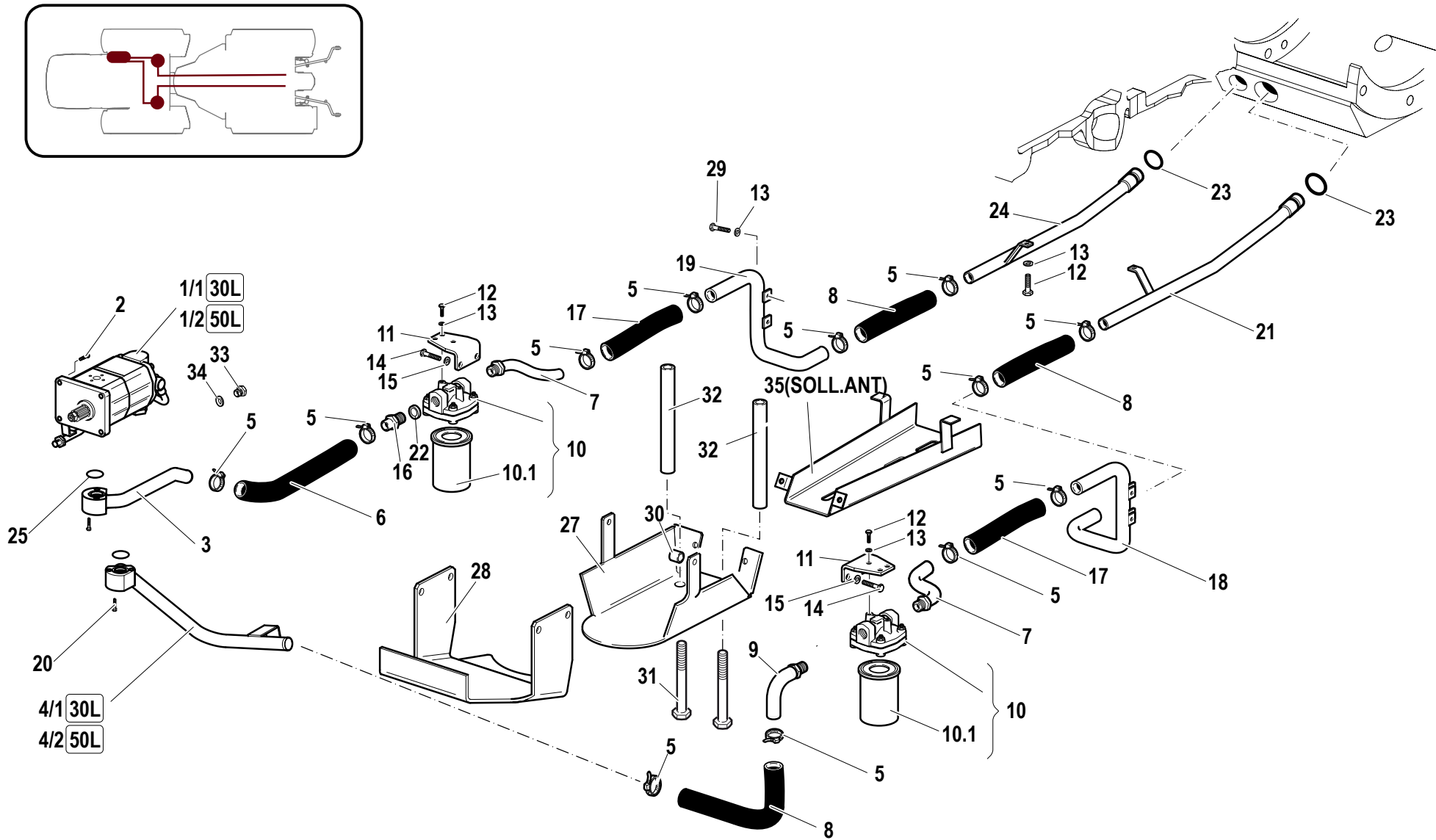
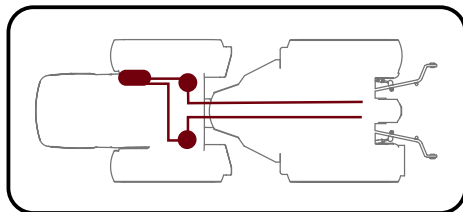
IMPIANTO ELETTRICO MOTORE (SELF CLEANING SYSTEM)

CODE REV
E.05.01.L60008_1

IMPIANTO ELETTRICO MOTORE (SELF CLEANING SYSTEM)



Pos.	Code	Q.ty	Description	Notes
1	58177939	1	FAN	
2	59077945	1	FIXING PLATE	
3	580A2238	1	CAVO COMANDO VENT.75-95-SCS-	121-11
4	56079219	1	RETAINER	
5	58035255	1	BUZZER	
6	31111089	2	SCREW TE M5X10 UNI 5739 8G	
7	31411053	2	WASHER 5,3x10	
8	F0843561000	2	WASHER 5	
9	31211050	2	NUT M5	
10	31112082	4	SCREW TE M6X12 UNI 5739 8G	
11	31411064	6	WASHER 6,4x12,5	
12	31211060	2	HEXAGONAL NUT M8	
13	59901507	2	RELAY	121-11
14	59901491	1	RELAY 70A	121-11



Pos.	Code	Q.ty	Description	Notes
2	31152083	4	SCREW TCEI M8X30 UNI 5931	
3	59076211	1	SUCTION PIPE	
5	F0817503000	12	CLAMP 037,6-906R	
6	58176337	1	SUCTION PIPE	
7	59076212	2	PIPE	
8	58173505	3	FLEXIBLE HOSE	
9	59076213	1	PIPE	
10	58175014	2	FILTER	
11	56174725	2	OIL FILTER BRACKET	
12	31112150	6	SCREW TE M8X20 UNI 5739 8G	
13	F0843643060	10	WASHER 8	
14	31112210	4	SCREW TE M10X20 UNI 5739	
15	F0843755000	4	WASHER 10	
16	56170350	1	PIPE FITTING	
17	58176336	2	SUCTION PIPE	
18	59076226	1	PIPE	
19	59078595	1	PIPE	
20	F0862796000	2	SCREW M8X40 UNI 5931	
21	59076224	1	SUCTION PIPE	
22	F0824185000	1	COPPER WASHER 26X34X1,5	
23	38113142	2	O-RING	
24	59076225	1	SUCTION PIPE	
25	38112200	2	O-RING	
27	59075716	1	SHIELD	
28	56078831	1	SHIELD	
29	31111151	4	SCREW TE M8X16 UNI 5739 8G	
30	56171954	1	SPACER	
31	F0863097000	2	SCREW	
32	56174622	2	SPACER	
33	F0852538050	1	PLUG	
34	F0843907000	1	COPPER WASHER 13,66x19/1,5	
35	59078594	1	SHIELD	
1,0099999	58179463	1	LIFT PUMP	
1,0199999	58175007	1	LIFT PUMP	

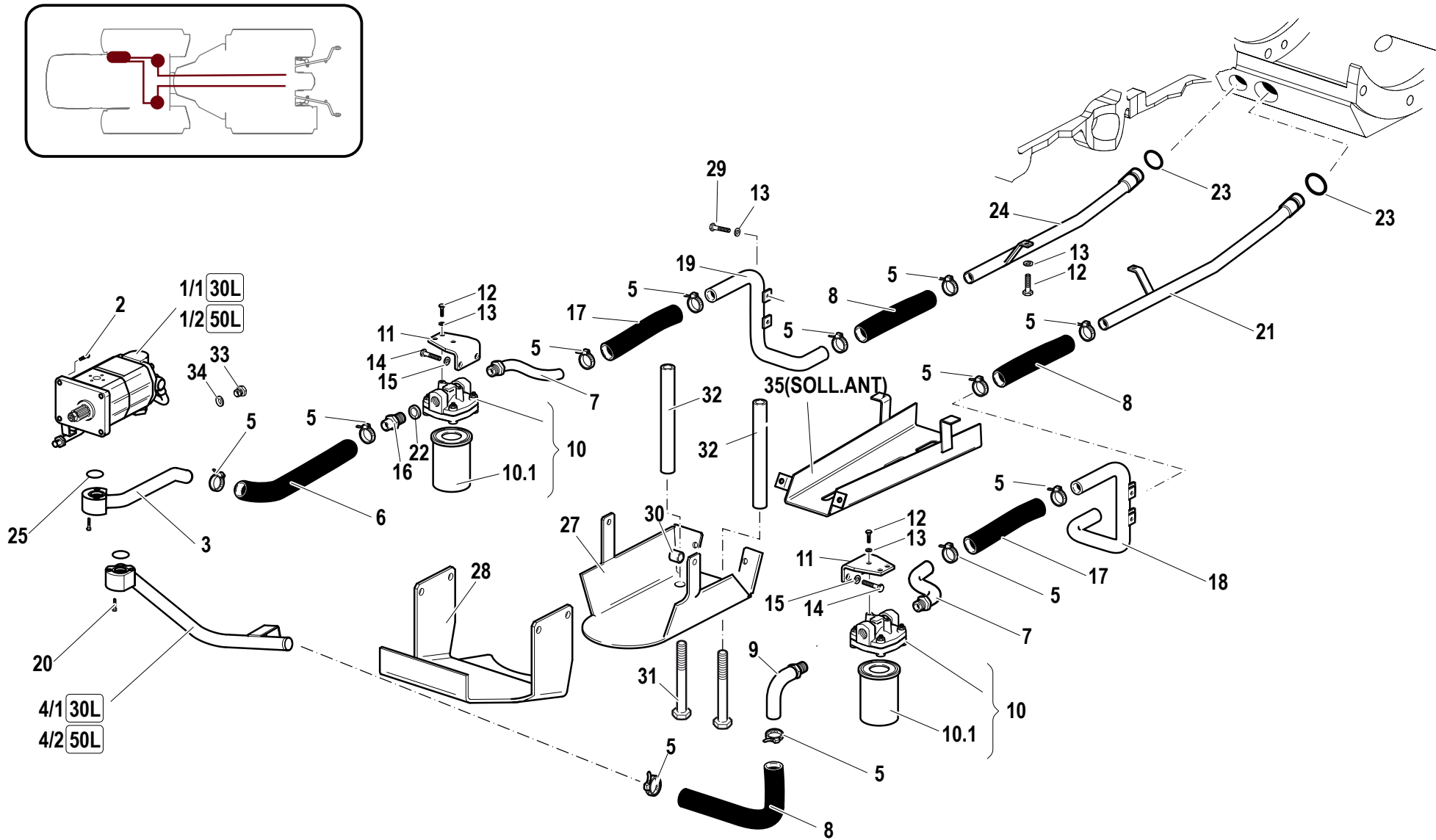
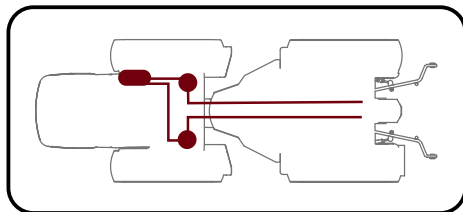
SERIAL

HYDR. SYSTEM DOUBLE OIL SUCTION

Hp 75

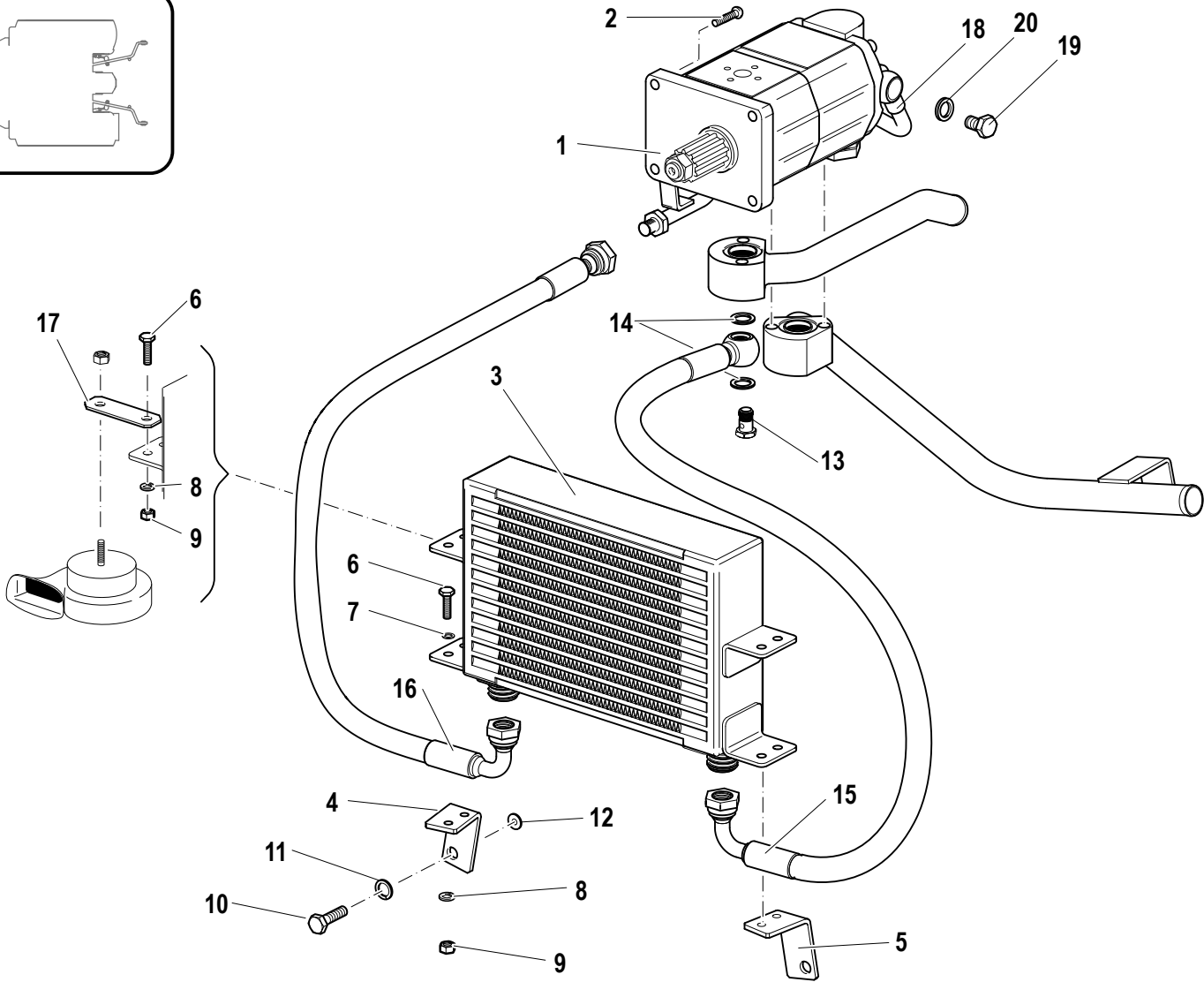
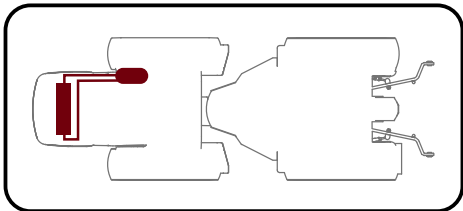
CODE REV

F.01.02.L60001_0



Pos.	Code	Q.ty	Description	Notes
10,100000	F0825718020	2	FILTER INSERT	
4,0100002	59079479	1	SUCTION PIPE	
4,0199999	59076214	1	PRESSURE PIPE	

IMPIANTO IDRAULICO : SCAMBIATORE DI CALORE



Pos.	Code	Q.ty	Description	Notes
1	58179463		LIFT PUMP	
2	31152083		SCREW TCEI M8X30 UNI 5931	
3	58177182		OIL EXCHANGER	
4	56174987		RIGHT YOKE	
5	56174988		LEFT BRACKET	
6	31111091		SCREW E M6X14 UNI 5739 8G	
7	31411064		WASHER 6,4x12,5	
8	F0843570000		WASHER 6	
9	31211060		HEXAGONAL NUT M8	
10	31112219		SCREW TE M10X25 UNI 5739	
11	F0843755000		WASHER 10	
12	F0843815000		WASHER D.24x10,5/4	
13	F0843109020		PIPE FITTING	
14	F0824110000		COPPER WASHER 3/8 GAS	
15	58076333		FLEXIBLE HOSE	
16	58076334		FLEXIBLE HOSE	
17	56175294		BRACKET	
18	59079478		PRESSURE PIPE	
19	56172547		THREADED TERMINAL END	

SERIAL
END

916940

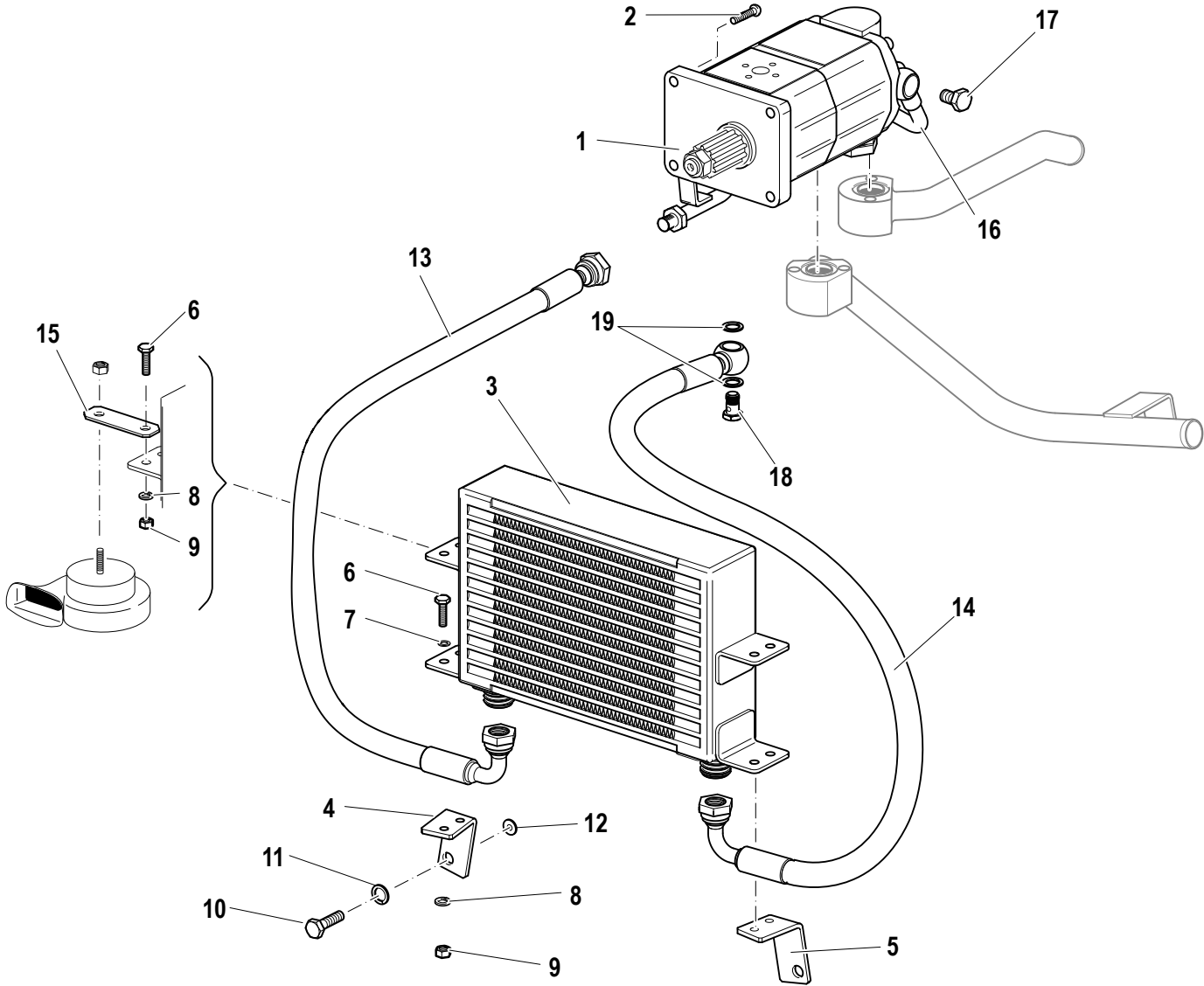
IMPIANTO IDRAULICO : SCAMBIATORE DI CALORE

Hp 75

CODE REV

F.02.01.L60007_0

IMPIANTO IDRAULICO : SCAMBIATORE DI CALORE



Pos.	Code	Q.ty	Description	Notes
1	58179463		LIFT PUMP	
2	31152083		SCREW TCEI M8X30 UNI 5931	
3	58177182		OIL EXCHANGER	
4	56179778		FIXING BRACKET	
5	56179779		FIXING BRACKET	
6	31111091		SCREW E M6X14 UNI 5739 8G	
7	31411064		WASHER 6,4x12,5	
8	F0843570000		WASHER 6	
9	31211060		HEXAGONAL NUT M8	
10	31112219		SCREW TE M10X25 UNI 5739	
11	F0843755000		WASHER 10	
12	F0843815000		WASHER D.24x10,5/4	
13	58076333		FLEXIBLE HOSE	
14	58076334		FLEXIBLE HOSE	
15	56175294		BRACKET	
16	59079478		PRESSURE PIPE	
17	56172547		THREADED TERMINAL END	
18	F0843109020		PIPE FITTING	
19	F0824110000		COPPER WASHER 3/8 GAS	

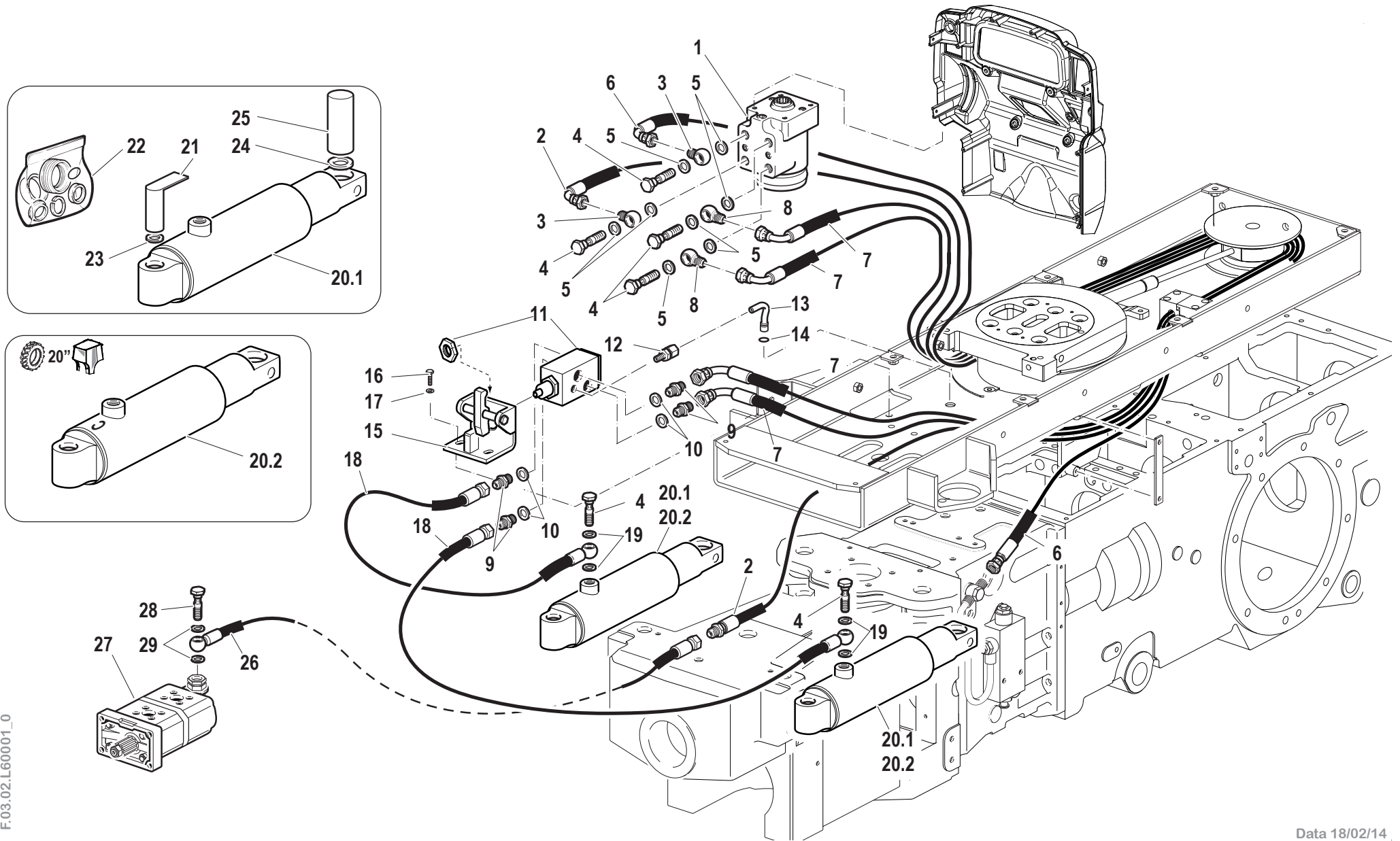
SERIAL
START
916941

IMPIANTO IDRAULICO : SCAMBIATORE DI CALORE

Hp 95

CODE REV

F.02.01.L60009_1



Pos.	Code	Q.ty	Description	Notes
1	58178954	1	HYDROSTEERING	
2	58074836	1	FLEXIBLE HOSE	
3	F0842512000	1	PIPE FITTING	
4	F0843109000	1	PIPE FITTING 14x1,5	
5	F0824141000	5	COPPER WASHER 21x27/1,5	
6	58077116	1	FLEXIBLE HOSE	
7	58076332	2	FLEXIBLE HOSE	
8	F0835040030	2	PIPE FITTING	
9	F0835031010	4	NIPPLE	
10	F0843907000	4	COPPER WASHER 13,66x19/1,5	
11	58179926	1	SPACER	
12	F0835022000	1	NIPPLE	
13	58076325	1	FLEXIBLE HOSE	
14	F0803050000	1	O-RING	
15	59076140	1	RETAINER	
16	31112150	2	SCREW TE M8X20 UNI 5739 8G	
17	F0843643060	2	WASHER 8	
18	58076331	2	FLEXIBLE HOSE	
19	F0843948000	4	COPPER WASHER 14,0x20/1,5	
21	59070838	1	HINGE PIN	
22	58171737	1	GASKET SET	
23	F0844240000		WASHER 20,5x33/3	
24	56374557		SPACER	
25	56374556		HINGE PIN	
26	58077115	1	FLEXIBLE HOSE	
27	58179463	1	LIFT PUMP	
28	F0843110010	1	THREADED TERMINAL END M18x1,5	
29	F0824113000	2	COPPER WASHER 18X24/1,5	
30	F0835100100		EXTENSION	
31	56176054		THREADED TERMINAL END	
32	56176228		SPACER	
33	59076141		LEVER	
34	58074488		SPRING	
35	31112162		SCREW TE M8X80 UNI 5737 8G	

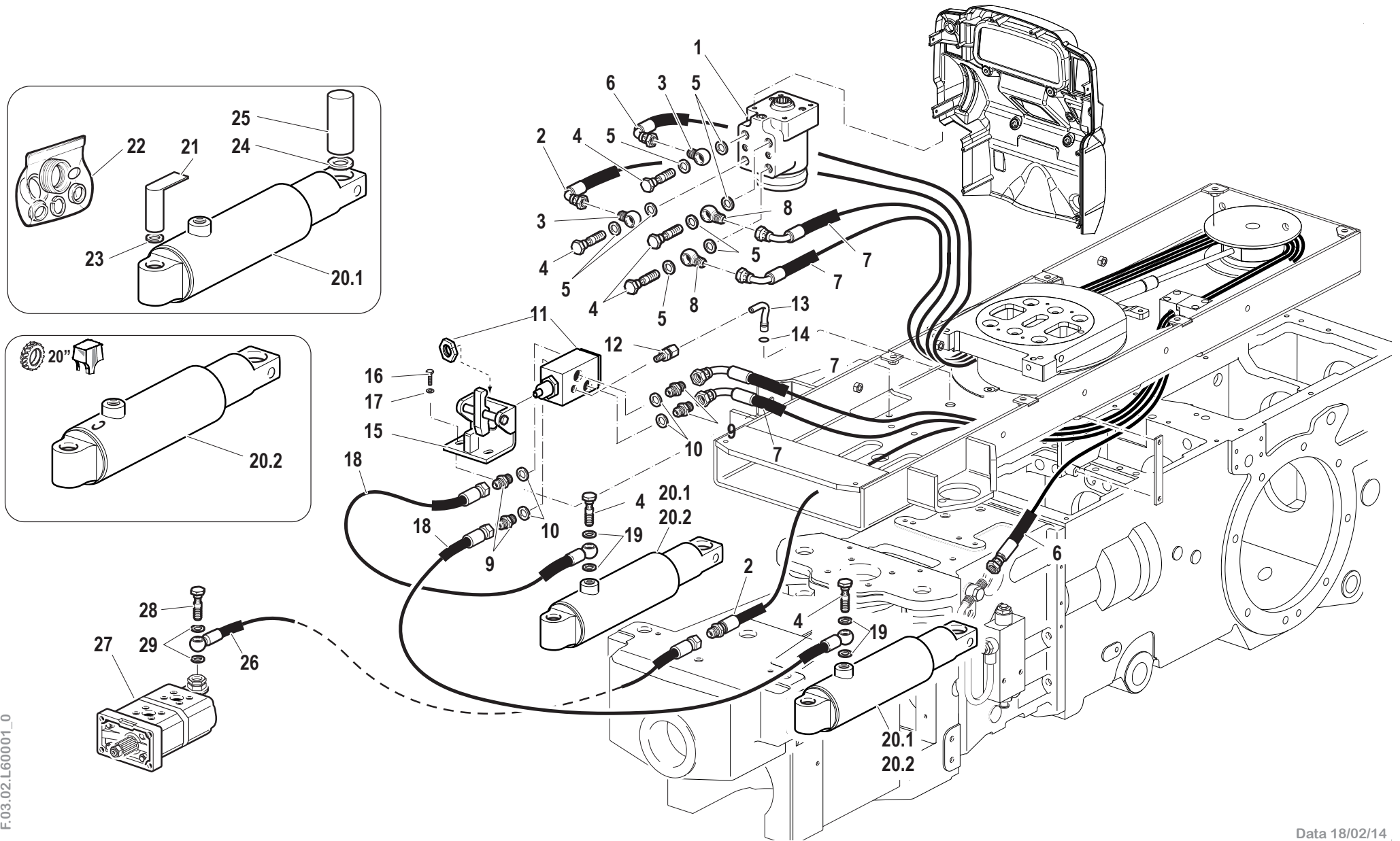
SERIAL

STEERING HYDR. SYSTEM

Hp 75

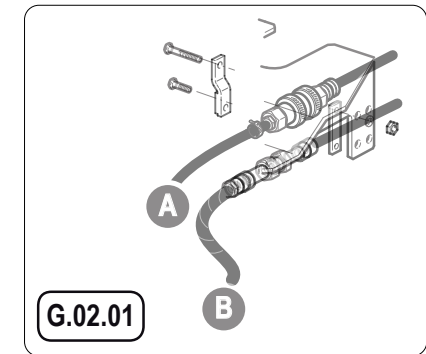
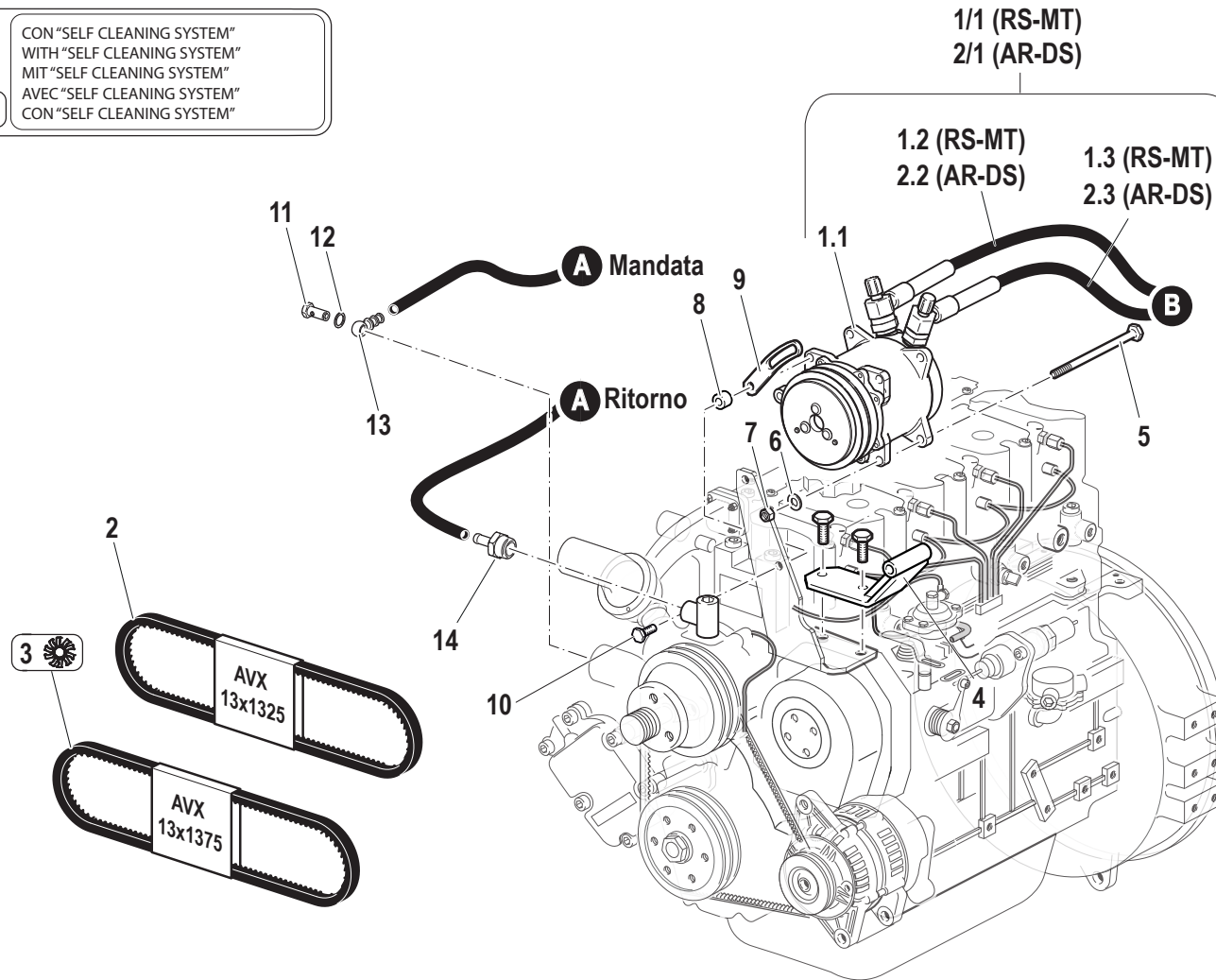
CODE REV

F.03.02.L60001_0



Pos.	Code	Q.ty	Description	Notes
36	57372345		SHIELD	
20,100000	58174305	2	CYLINDER	
20,200000	58179598	2	STEERING CYLINDER	

CON "SELF CLEANING SYSTEM"
 WITH "SELF CLEANING SYSTEM"
 MIT "SELF CLEANING SYSTEM"
 AVEC "SELF CLEANING SYSTEM"
 CON "SELF CLEANING SYSTEM"



Pos.	Code	Q.ty	Description	Notes
2	36220216	1	ENGINE BELT	
3	36220218	1	ENGINE BELT	
4	59076749	1	FIXING BRACKET	
5	31112223	1	SCREW TE M10X100 UNI 5737	
6	31411084	1	WASHER 8,4x17	
7	31241081	1	HEXAGON SELFLOCK NUT	
8	56177197	1	SPACER	
9	56177190	1	BRACKET	
10	F0862694000	1	SCREW M8X170 UNI 5737	
11	F0843109015	1	PIPE FITTING 16x1,5	
12	F0844030070	2	COPPER WASHER 16,0x22/1,5	
13	30000246	1	EYELET	
14	56177254	1	PIPE FITTING	
1.1	581A0174	1	GEAR COMPRESSOR	
1.2	59901331	1	TUBO G8 L=1780mm (708BCS.09)	
1.3	59901330	1	TUBO G10 L=870mm (710BCS.12)	
1/1	59277315	1	UNIT	
2.2	59901335	1	TUBO G8 L=1500mm (708BCS.11)	
2.3	59901334	1	TUBO G10 L=590mm (710BCS.14)	
2/2	59277388	1	UNIT	

SERIAL
END

915999


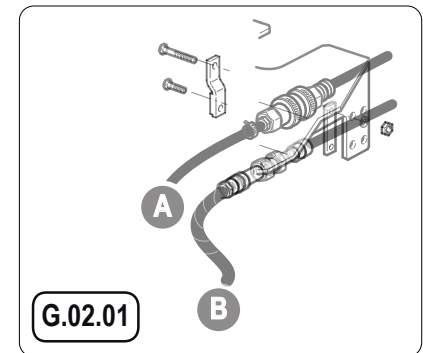
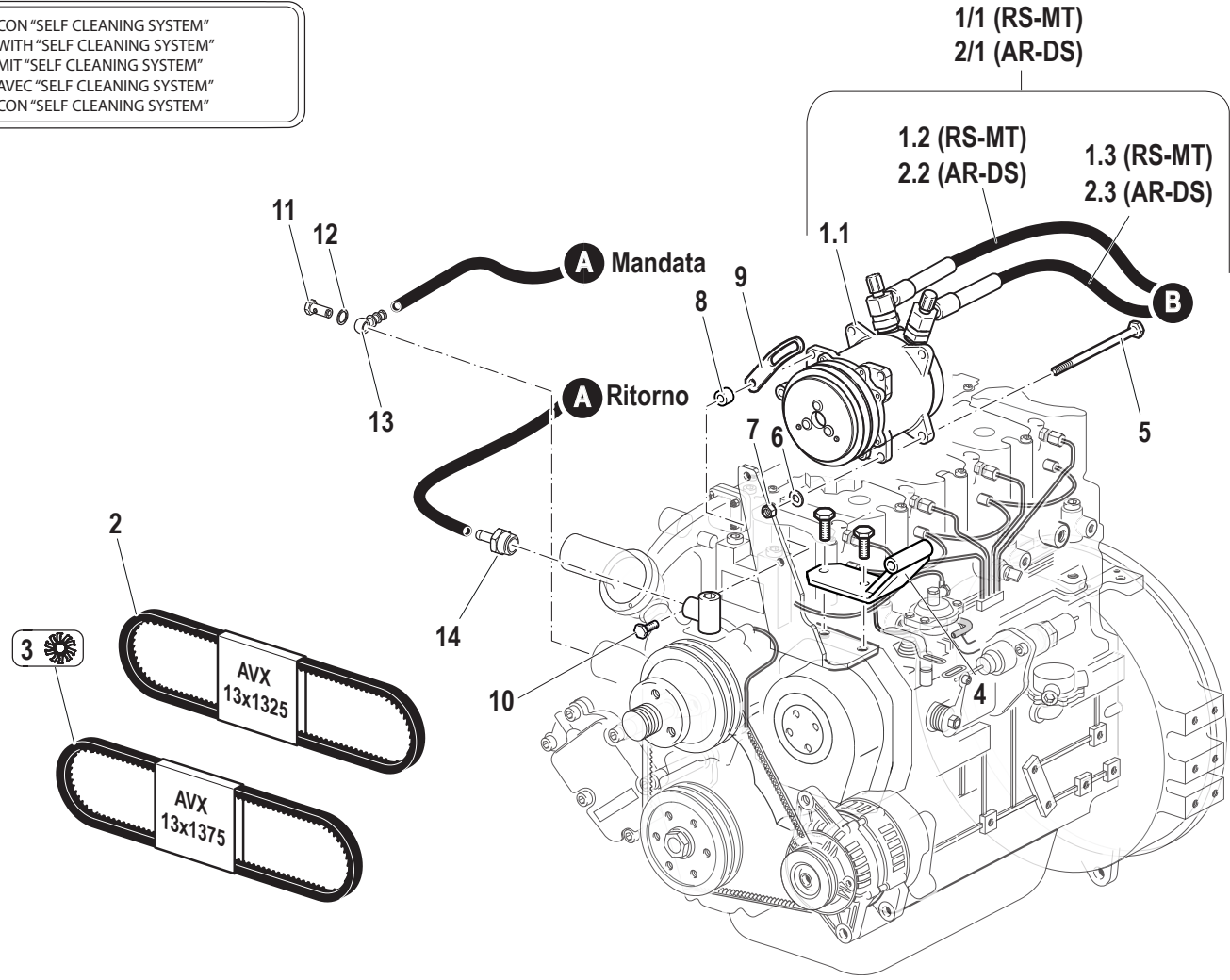
COMPRESSORE ARIA CONDIZIONATA

CODE REV

G.01.02.L60008_0

SERIAL START 916000 END 916490

CON "SELF CLEANING SYSTEM"
 WITH "SELF CLEANING SYSTEM"
 MIT "SELF CLEANING SYSTEM"
 AVEC "SELF CLEANING SYSTEM"
 CON "SELF CLEANING SYSTEM"

Pos.	Code	Q.ty	Description	Notes
2	36220216	1	ENGINE BELT	
3	36220218	1	ENGINE BELT	
4	59076749	1	FIXING BRACKET	
5	31112174	1	SCREW TE M8X110 UNI 5737 8.8	
6	31411084	1	WASHER 8,4x17	
7	31241081	1	HEXAGON SELFLOCK NUT	
8	56177197	1	SPACER	
9	56177190	1	BRACKET	
11	F0843110010	1	THREADED TERMINAL END M18x1,5	63-08
12	F0824113000	2	COPPER WASHER 18X24/1,5	63-08
13	30000250	1	EYELET	63-08
14	56177254	1	PIPE FITTING	
1.1	581A0174	1	GEAR COMPRESSOR	
1.2	59901331	1	TUBO G8 L=1780mm (708BCS.09)	
1.3	59901330	1	TUBO G10 L=870mm (710BCS.12)	
1/1	59277315	1	UNIT	
2.2	59901335	1	TUBO G8 L=1500mm (708BCS.11)	
2.3	59901334	1	TUBO G10 L=590mm (710BCS.14)	
2/1	59277388	1	UNIT	

SERIAL
START
916000

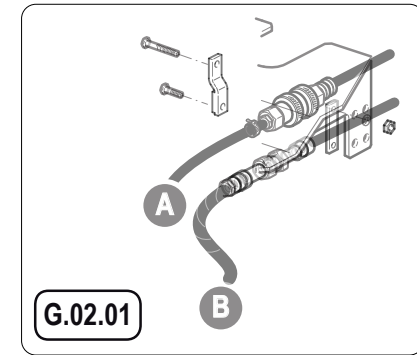
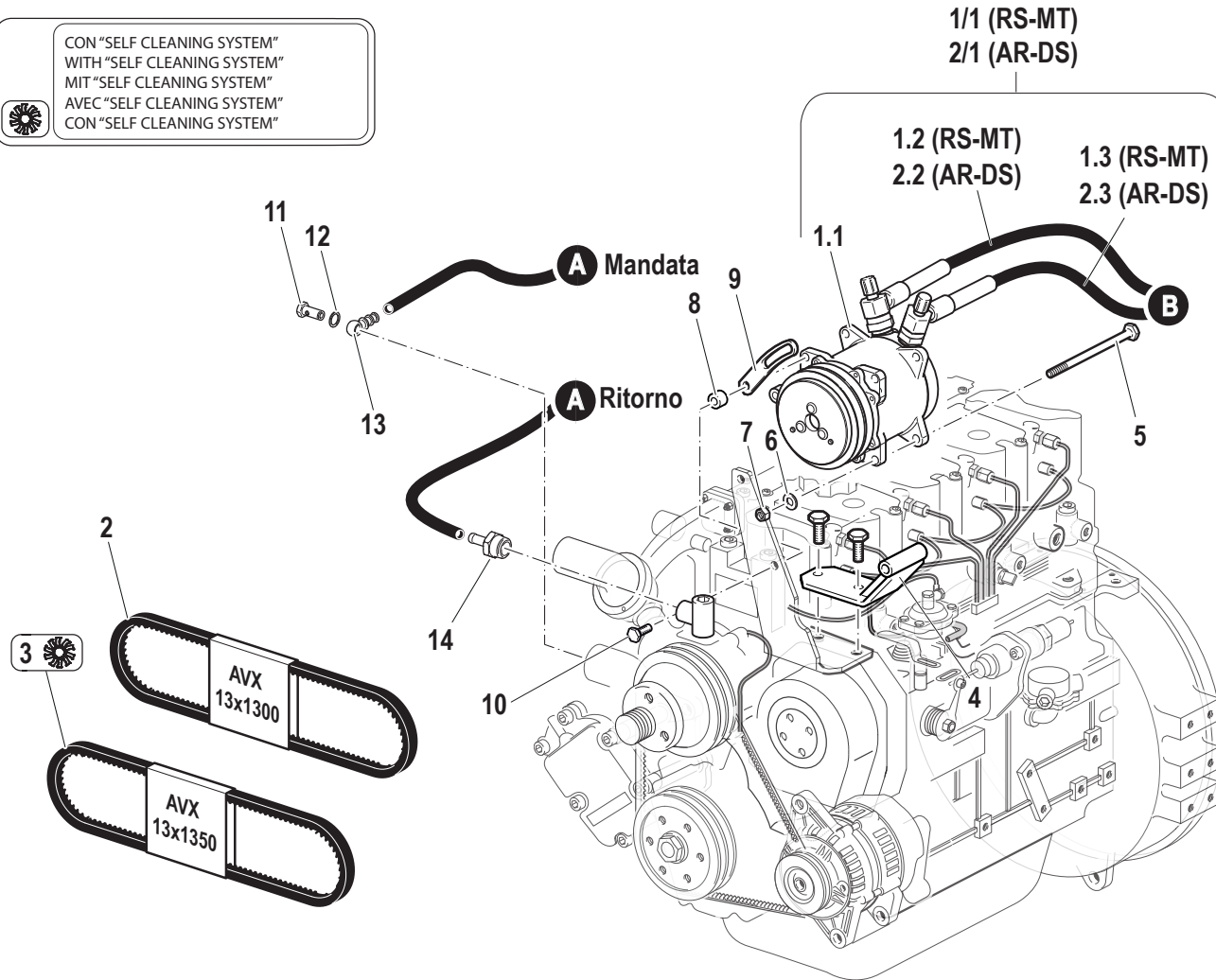
END
916490

COMPRESSORE ARIA CONDIZIONATA

CODE REV

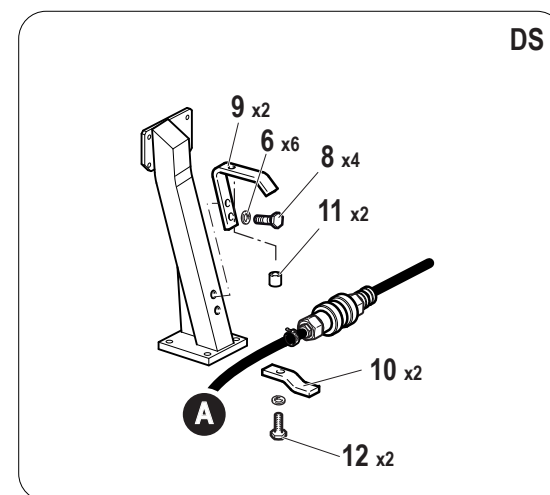
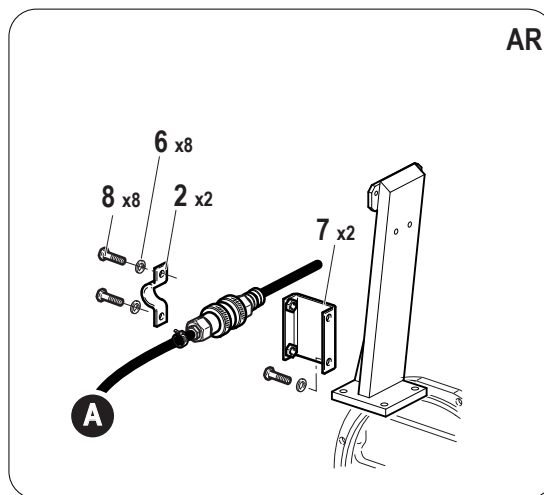
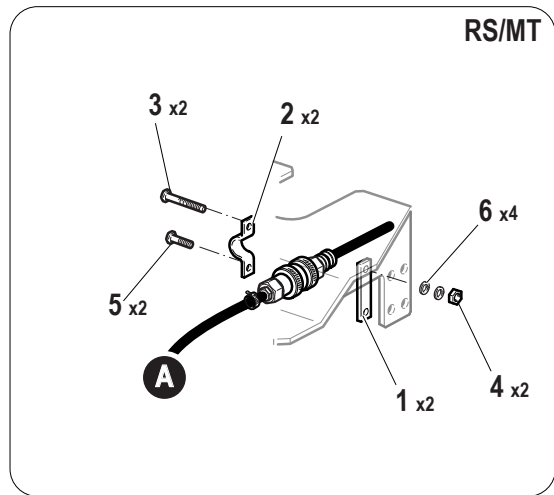
G.01.02.L60008_1

CON "SELF CLEANING SYSTEM"
 WITH "SELF CLEANING SYSTEM"
 MIT "SELF CLEANING SYSTEM"
 AVEC "SELF CLEANING SYSTEM"
 CON "SELF CLEANING SYSTEM"

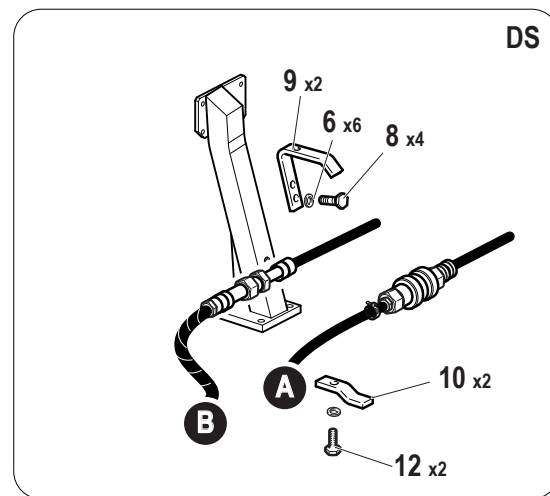
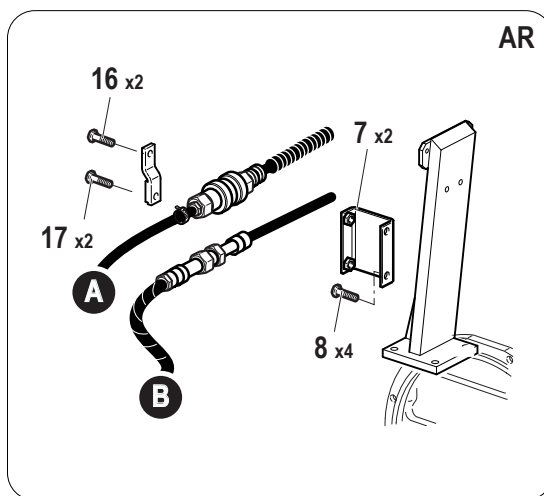
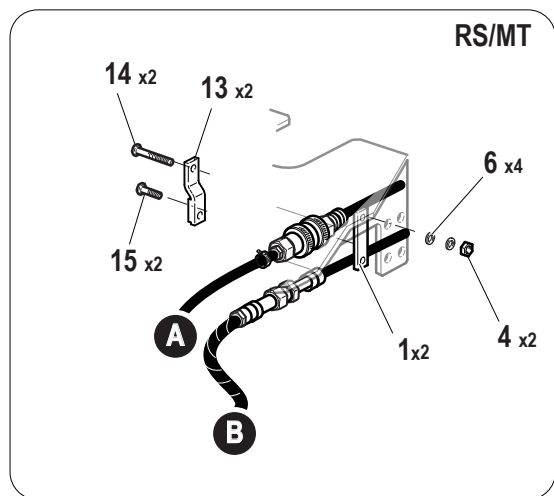


Pos.	Code	Q.ty	Description	Notes
2	36220215	1	ENGINE BELT	027-08
3	36220217	1	ENGINE BELT	027-08
4	59076749	1	FIXING BRACKET	
5	31112174	1	SCREW TE M8X110 UNI 5737 8.8	
6	31411084	1	WASHER 8,4x17	
7	31241081	1	HEXAGON SELFLOCK NUT	
8	56177197	1	SPACER	
9	56177190	1	BRACKET	
10	F0862694000	1	SCREW M8X170 UNI 5737	
11	F0843110010	1	THREADED TERMINAL END M18x1,5	
12	F0824113000	2	COPPER WASHER 18X24/1,5	
13	30000250	1	EYELET	
14	56177254	1	PIPE FITTING	
1.1	581A0174	1	GEAR COMPRESSOR	
1.2	59901331	1	TUBO G8 L=1780mm (708BCS.09)	
1.3	59901330	1	TUBO G10 L=870mm (710BCS.12)	
1/1	59277315	1	UNIT	
2.2	59901335	1	TUBO G8 L=1500mm (708BCS.11)	
2.3	59901334	1	TUBO G10 L=590mm (710BCS.14)	
2/1	59277388	1	UNIT	

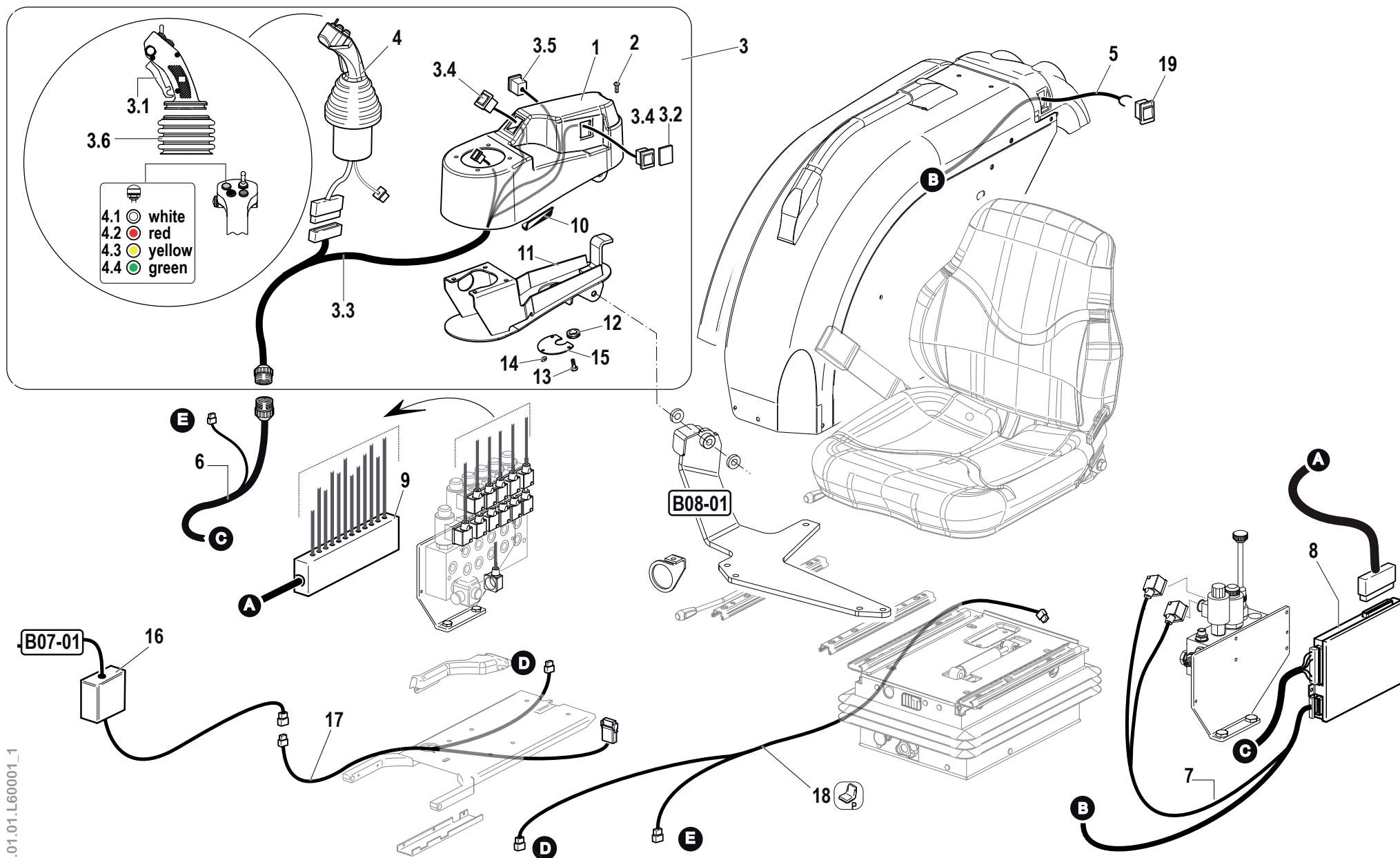
RISCALDAMENTO



RISCALDAMENTO/AC



Pos.	Code	Q.ty	Description	Notes
1	56077367	2	PLATE	
2	56077372	2	FIXING BRACKET	
3	31112153	2	SCREW TE M8X35 UNI 5739 8G	
4	31211080	2	NUT M8	
5	31112150	2	SCREW TE M8X20 UNI 5739 8G	
6	F0843643060	18	WASHER 8	
7	59077371	2	SUPPORTING YOKE	
8	31112147	12	SCREW TE M8X18 UNI 5739 8G	
9	56077929	2	FIXING BRACKET	
10	56077928	2	FIXING PLATE	
11	56171996	2	SPACER	
12	F0862694000	2	SCREW M8X170 UNI 5737	
13	59077368	2	FIXING BRACKET	
14	31112156	2	SCREW TE M8X60 UNI 5739 8G	
15	31112154	2	SCREW TE M8X40 UNI 5739 8G	
16	31112155	1	SCREW	
17	31112153	1	SCREW TE M8X35 UNI 5739 8G	



Pos.	Code	Q.ty	Description	Notes
1	57377440	1	JOYSTICK ARMREST	
2	31121006	1	SCREW TBCEI M6X16 ISO 7380	
3	59278875	1	SMALL ARM	102-06
4	59906008	1	JOYSTICK CABLE	
5	58179249	1	BRIDLE	
6	58178877	1	WIRING	102-06
7	58178879	1	SWITCH	102-06
8	58178876	1	SWITCHING DEVICE	102-06
9	58178880	1	WIRING	102-06
10	P000000260007	1	GASKET	
11	59078833	1	FASTENER	102-06
12	58171901	1	CABLE GLAND 15,5-24-32-2	
13	31112049	3	SCREW	
14	F0843522010	3	WASHER 4	
15	56177442	1	COVER	
16	581A0689	1	CONTROL ELECTRONIC CARD	
17	58077963	1	CABLE	
18	58077659	1	CABLE	
19	58179337	1	CHANGE-OVER SWITCH	
3,5	59900884	1	SWITCH	
4,5	59906006	1	SWITCH	
3,0999999	59906009	1	KIT	
3,2000000	58177763	1	HOLECOVER	
3,2999999	59900881	1	WIRING	
3,4000000	58177764	2	CHANGE-OVER SWITCH	
3,5999999	59906010	1	SOFFIETTO (SJ-IPC)	
4,0999999	59906011	1	PUSH-BUTTON	
4,1999998	59906012	1	PUSH-BUTTON	
4,3000001	59906013	1	PUSH-BUTTON	
4,4000000	59906014		PUSH-BUTTON	

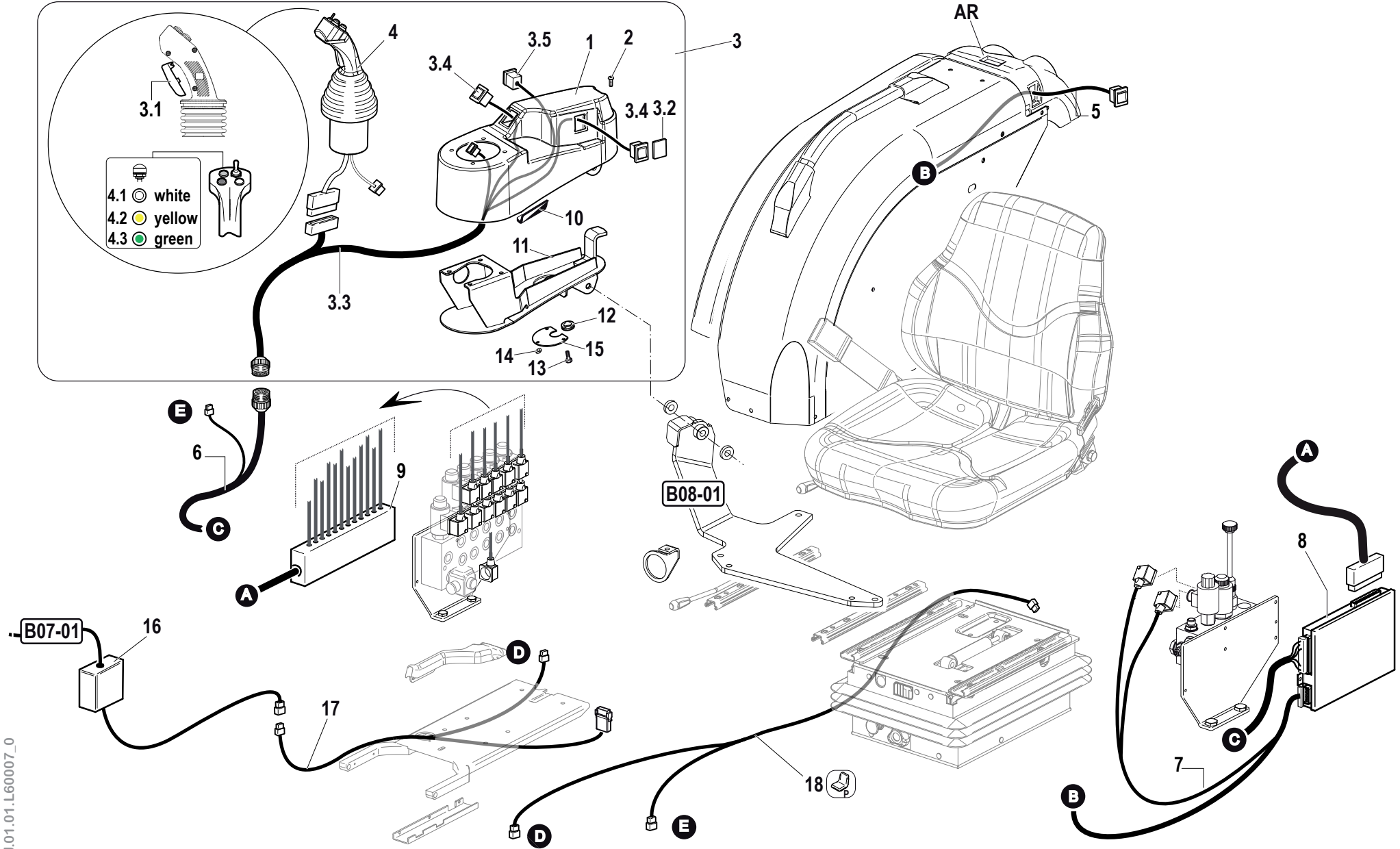
SERIAL

JOYSTICK

Hp 75

CODE REV

J.01.01.L60001_1



J.01.01.L60007_0

Pos.	Code	Q.ty	Description	Notes
1	57377440	1	JOYSTICK ARMREST	
2	31121006	1	SCREW TBCEI M6X16 ISO 7380	
3	59277762	1	JOYSTICK ARMREST	
4	59900879	1	JOYSTICK	
5	58177769	1	SWITCH	
6	58177768	1	WIRING	
7	59900880	1	WIRING	
8	58177767	1	SWITCHING DEVICE	
9	58177770	1	WIRING	
10	P000000260007	1	GASKET	
11	59077441	1	FASTENER	
12	58171901	1	CABLE GLAND 15,5-24-32-2	
13	31112049	3	SCREW	
14	F0843522010	3	WASHER 4	
15	56177442	1	COVER	
16	581A0689	1	CONTROL ELECTRONIC CARD	
17	58077963	1	CABLE	
18	58077659	1	CABLE	
3.1	59906022	1	KIT UOMO PRESENTE (KPUPC-T)	
3.2	58177763	1	HOLECOVER	
3.3	59900881	1	WIRING	
3.4	58177764	2	CHANGE-OVER SWITCH	
3.5	59900884	1	SWITCH	
4.1	59906003	1	PUSH-BUTTON	
4.2	59906000	1	PUSH-BUTTON	
4.3	59906002	1	PUSH-BUTTON	
4.4	59906023	1	INTERRUT. MOT. IDR. (KIC-T)	

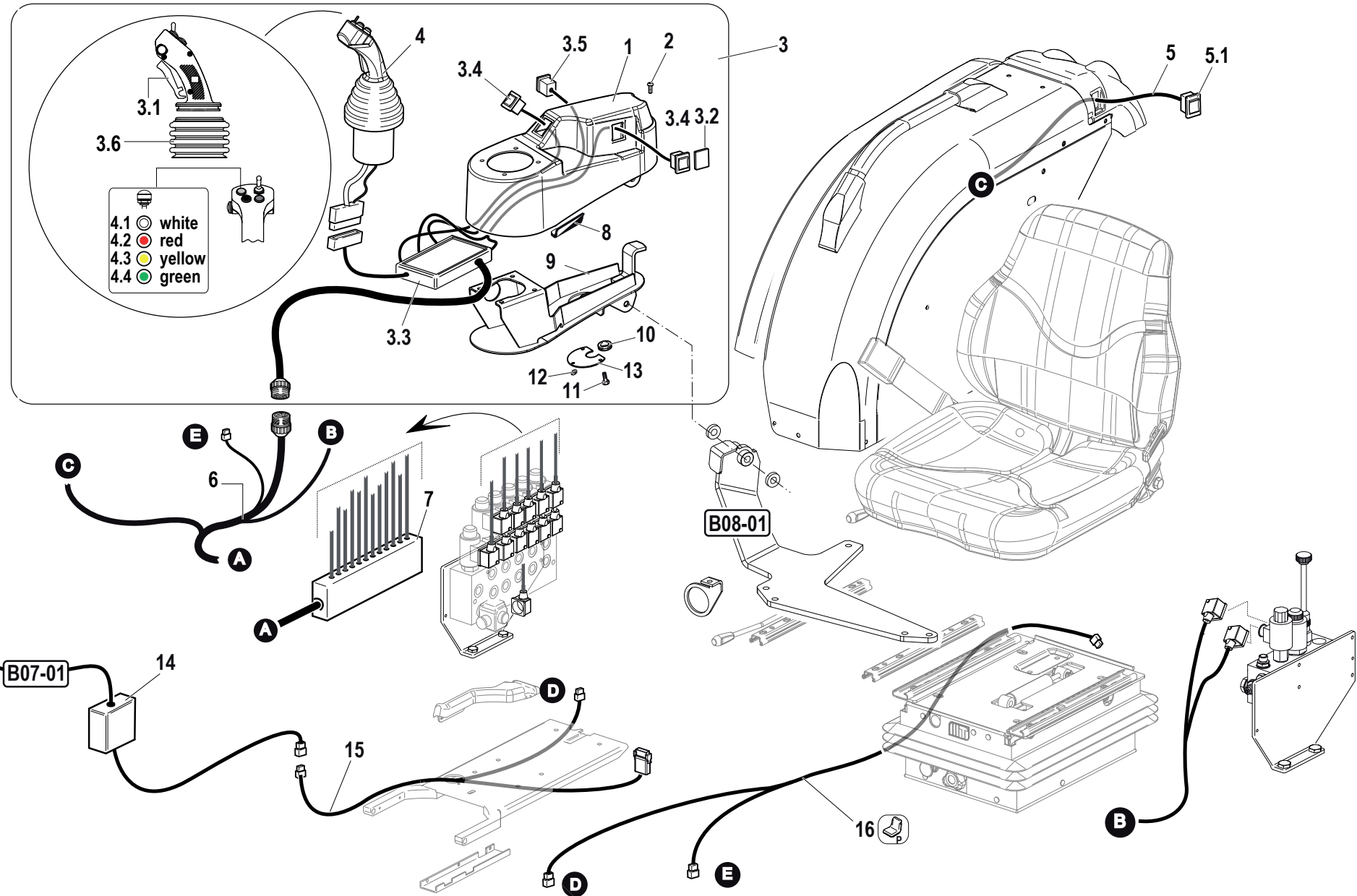
SERIAL
END
912796

JOYSTICK
Hp 75

CODE REV
J.01.01.L60007_0

JOYSTICK

SERIAL START 916258 END 920541



J.01.01.L60007_2

Pos.	Code	Q.ty	Description	Notes
1	57377440	1	JOYSTICK ARMREST	
2	31121006	1	SCREW TBCEI M6X16 ISO 7380	
3	59279906	1	JOYSTICK ARMREST	52-08
4	59906025	1	JOYSTICK CABLE	
5	58179508	1	CABLE	52-08
6	58179904	1	WIRING	52-08
7	58179905	1	WIRING	52-08
8	P000000260007	1	GASKET	
9	59078833	1	FASTENER	
10	58171901	1	CABLE GLAND 15,5-24-32-2	
11	31112049	3	SCREW	
12	F0843522010	3	WASHER 4	
13	56177442	1	COVER	
14	581A0689	1	CONTROL ELECTRONIC CARD	
15	58077963	1	CABLE	
16	58077659	1	CABLE	
3.1	59906009	1	KIT	
3.2	58177763	1	HOLECOVER	
3.3	59906027	1	CENTRAL PROCESSING UNIT	52-08
3.4	58177764	2	CHANGE-OVER SWITCH	
3.5	59900884	1	SWITCH	
3.6	59906010	1	SOFFIETTO (SJ-IPC)	
4.1	59906011	1	PUSH-BUTTON	
4.2	59906013	1	PUSH-BUTTON	
4.3	59906012	1	PUSH-BUTTON	
4.4	59906014	1	PUSH-BUTTON	
4.5	59906006	1	SWITCH	
5.1	58179337	1	CHANGE-OVER SWITCH	

SERIAL
START
916258

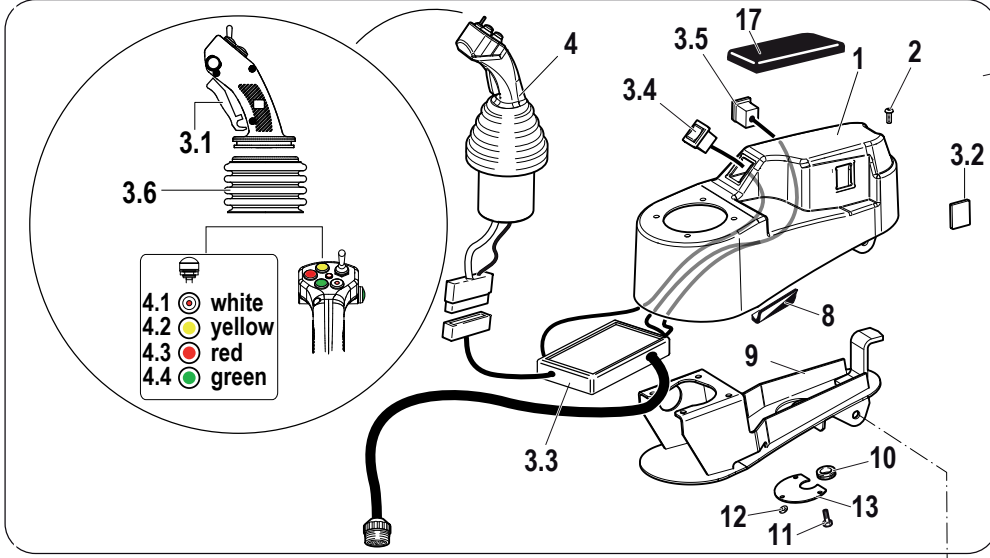
END
920541

JOYSTICK
Hp 75

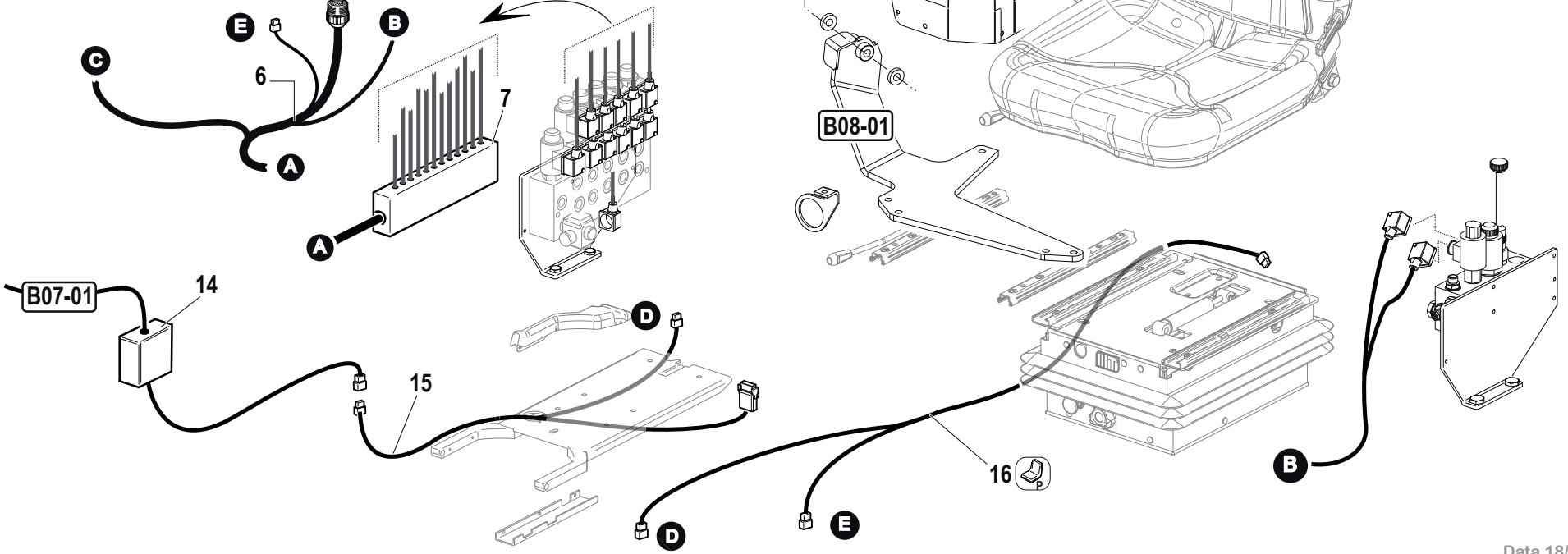
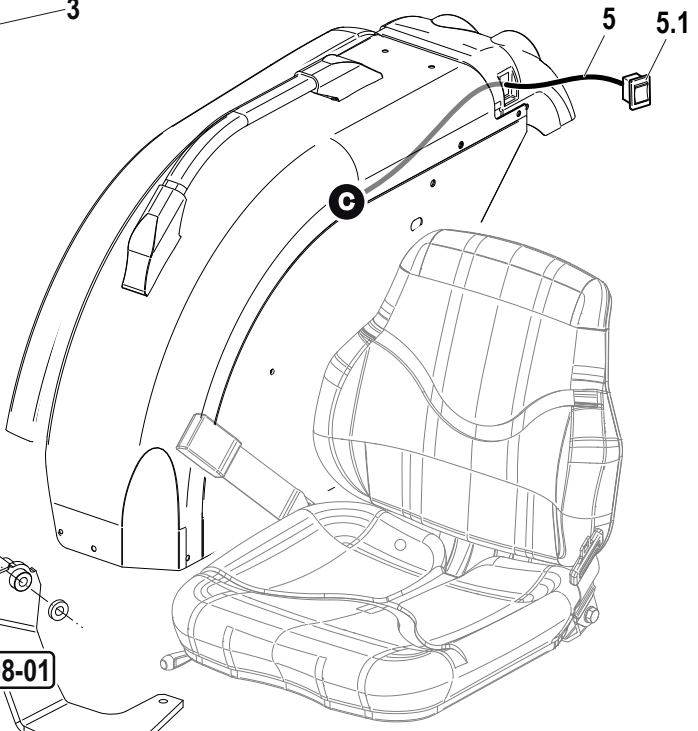
CODE REV
J.01.01.L60007_2

JOYSTICK

SERIAL START 920542



- 4.1 white
- 4.2 yellow
- 4.3 red
- 4.4 green



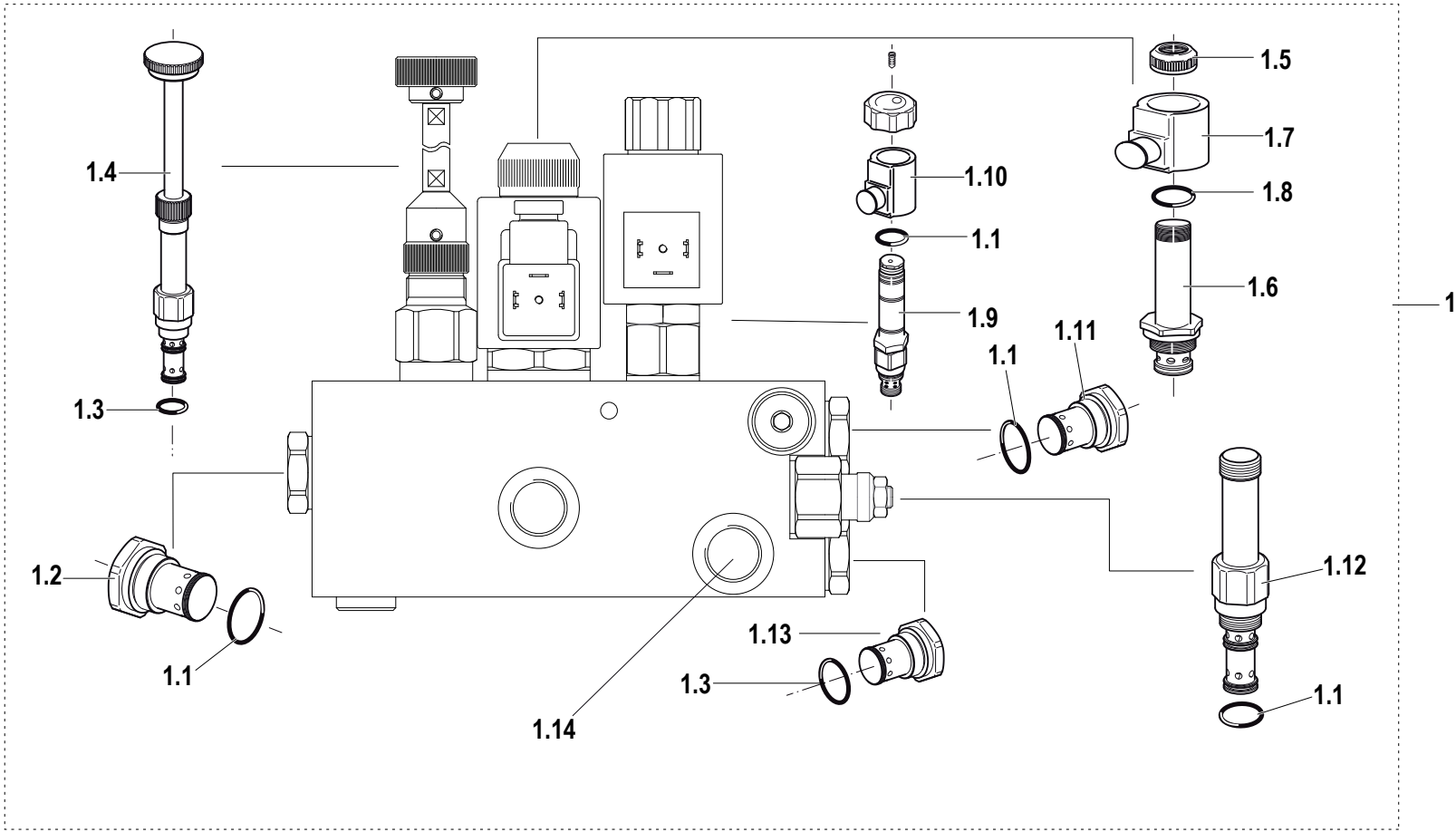
J.01.01.L60007_3

Pos.	Code	Q.ty	Description	Notes
1	57377440	1	JOYSTICK ARMREST	
2	31121006	1	SCREW TBCEI M6X16 ISO 7380	
3	592A1041	1	JOYSTICK ARMREST	207-09
4	59906035	1	JOYSTICK CABLATO TS590BCS_0110	207-09
5	58179508	1	CABLE	
6	58179904	1	WIRING	
7	58179905	1	WIRING	
8	P000000260007	1	GASKET	
9	59078833	1	FASTENER	
10	58171901	1	CABLE GLAND 15,5-24-32-2	
11	31112049	3	SCREW	
12	F0843522010	3	WASHER 4	
13	56177442	1	COVER	
14	581A0689	1	CONTROL ELECTRONIC CARD	
15	58077963	1	CABLE	
16	58077659	1	CABLE	
17	59906042	1	CUSCINO POGGIA BRACCIO (CPBCS)	
3.1	59906009	1	KIT	
3.2	58177763	1	HOLECOVER	
3.3	59906038	1	CENTRALINA ELETT. (SARO 13.1)	207-09
3.4	58177764	1	CHANGE-OVER SWITCH	
3.5	59900884	1	SWITCH	
3.6	59906010	1	SOFFIETTO (SJ-IPC)	
4.1	59906037	1	PULS.COMPL.BIANCO PC-I BLED	
4.2	59906012	1	PUSH-BUTTON	
4.3	59906013	1	PUSH-BUTTON	
4.4	59906014	1	PUSH-BUTTON	
4.5	59906036	1	KIT INTERRUETTORE (KIC-I-1-0-1)	
5.1	58179337	1	CHANGE-OVER SWITCH	

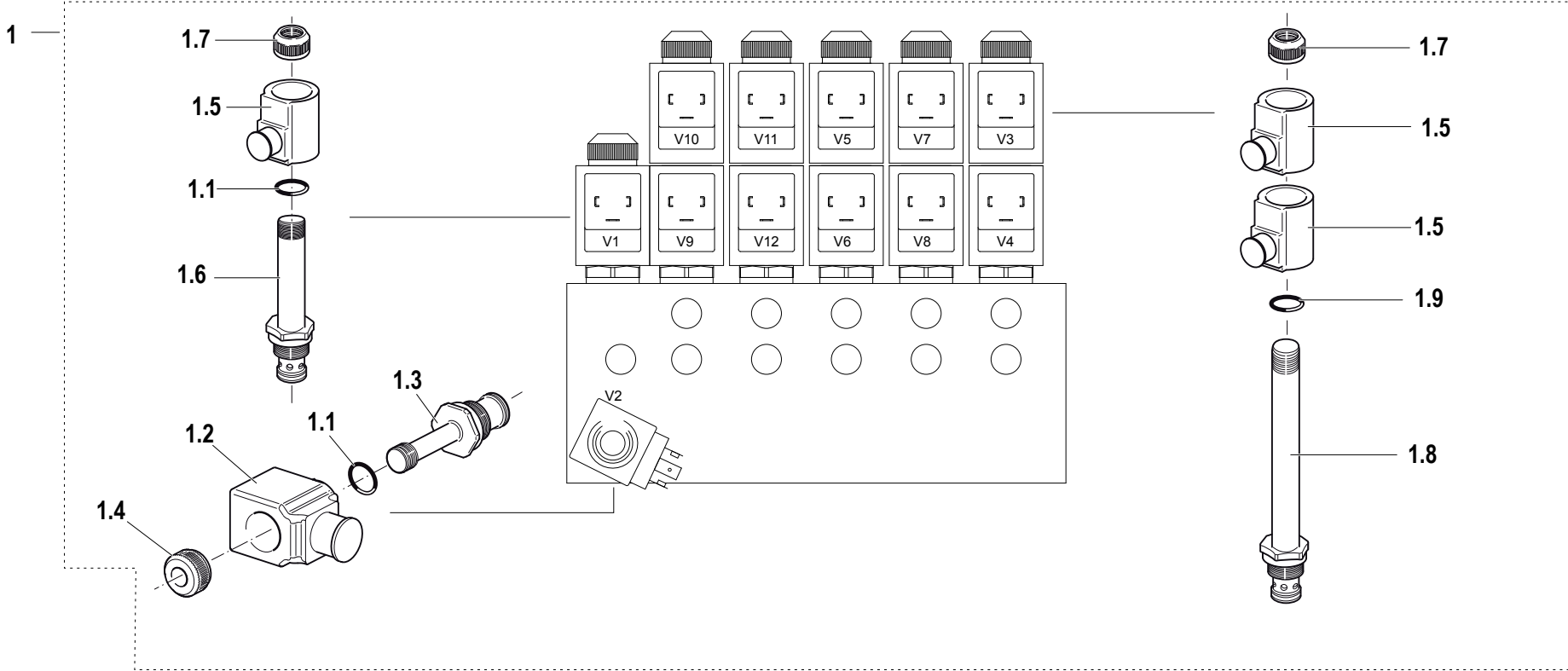
SERIAL
START
920542

JOYSTICK
Hp 75

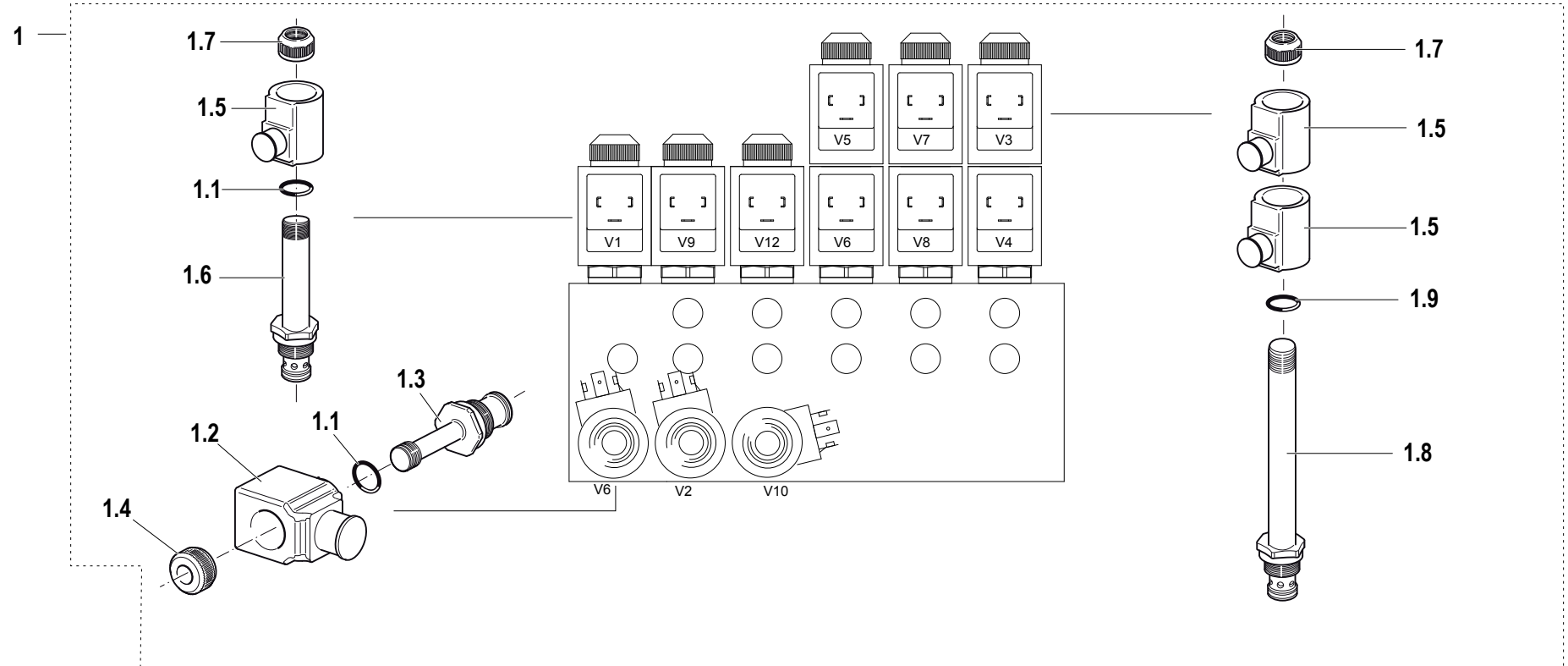
CODE REV
J.01.01.L60007_3



Pos.	Code	Q.ty	Description	Notes
1	58177765	1	LOCKING MECHANISM	
1.1	59900863	6	GASKET SET	
1.2	59900868	1	VALVE	
1.3	59900870	2	GASKET SET	
1.4	59900869	1	VALVE	
1.5	59906029	1	RING NUT	
1.6	59900871	1	ELECTRO VALVE	
1.7	59900872	1	COIL	
1.8	59900873	1	GASKET SET	
1.9	59900874	1	ELECTRO VALVE	
1.10	59900875	1	COIL	
1.11	59900877	1	VALVE	
1.12	59900878	1	VALVE	
1.13	59900876	1	VALVE	
1.14	59906043	1	GRANO AUTOPULENTE	



Pos.	Code	Q.ty	Description	Notes
1	58177766	1	LOCKING MECHANISM	
1.1	59900863	6	GASKET SET	
1.2	59906024	1	COIL	
1.3	59900864	1	ELECTRO VALVE	
1.4	59906031	1	RING NUT	
1.5	59900862	2	COIL	
1.6	59900861	1	ELECTRO VALVE	
1.7	59906030	2	RING NUT	
1.8	59900866	1	ELECTRO VALVE	
1.9	59900867	1	GASKET SET	



Pos.	Code	Q.ty	Description	Notes
1	58179246	1	SMALL BLOCK	
1.1	59900863	6	GASKET SET	
1.2	59906007	1	COR.VALV.SEMP.EF.SC.(35011239)	
1.3	59900864	1	ELECTRO VALVE	
1.4	59906031	1	RING NUT	
1.5	59900862	2	COIL	
1.6	59900861	1	ELECTRO VALVE	
1.7	59906030	2	RING NUT	
1.8	59900866	1	ELECTRO VALVE	
1.9	59900867	1	GASKET SET	

Pos.	Code	Q.ty	Description	Notes
14	31112082	2	SCREW TE M6X12 UNI 5739 8G	
9	31112149	2	SCREW TE M8X12 UNI 5739 8G	
25	31112150	2	SCREW TE M8X20 UNI 5739 8G	
3	31112211	5	SCREW TE M10X30 UNI 5739	
2	31112219	1	SCREW TE M10X25 UNI 5739	
1	51175941	1	SUPPORT	
33	51376275	1	THREE-POINT LINKAGE	
13	52071702	1	CLAMPING PLATE	
27	56170283	2	BRACKET	
29	56170285	2	SPACER	
8	56173638	1	GUARD	
28	56175859	2	SPACER	
22	56370282	4	SHIM	
17	56370288	2	SHIM	
30	56374574	1	CONNECTING BOLT	
24	56375860	2	HINGE PIN	
15	56376260	1	SHAFT	
5	56570016	2	CYLINDRICAL PLUG	
7	58075603	1	PLUG	
16	58170291	2	BUSHING	
21,2	58171536	1	BUSHINGS KIT	
21,1	58171537	1	GASKET SET	
21	58177783	2	CYLINDER	
11	58179483	1	OIL LEVEL ROD	
18	59070289	1	LIFTING ARM	
19	59070290	1	RIGHT ARM	
32	59078588	1	CONNECTING BOLT	
12	59079485	1	PIPE	
23	F0801241010	2	SEEGER RING	
20	F0801331050	2	SEEGER RING	
6	F0826056000	2	LUBRICATOR M10 UNI 7663A	
10	F0843643060	4	WASHER 8	
31	F0851486000	1	SPLIT PIN	
26	F0863359000	3	SCREW M10X40 UNI 5737	

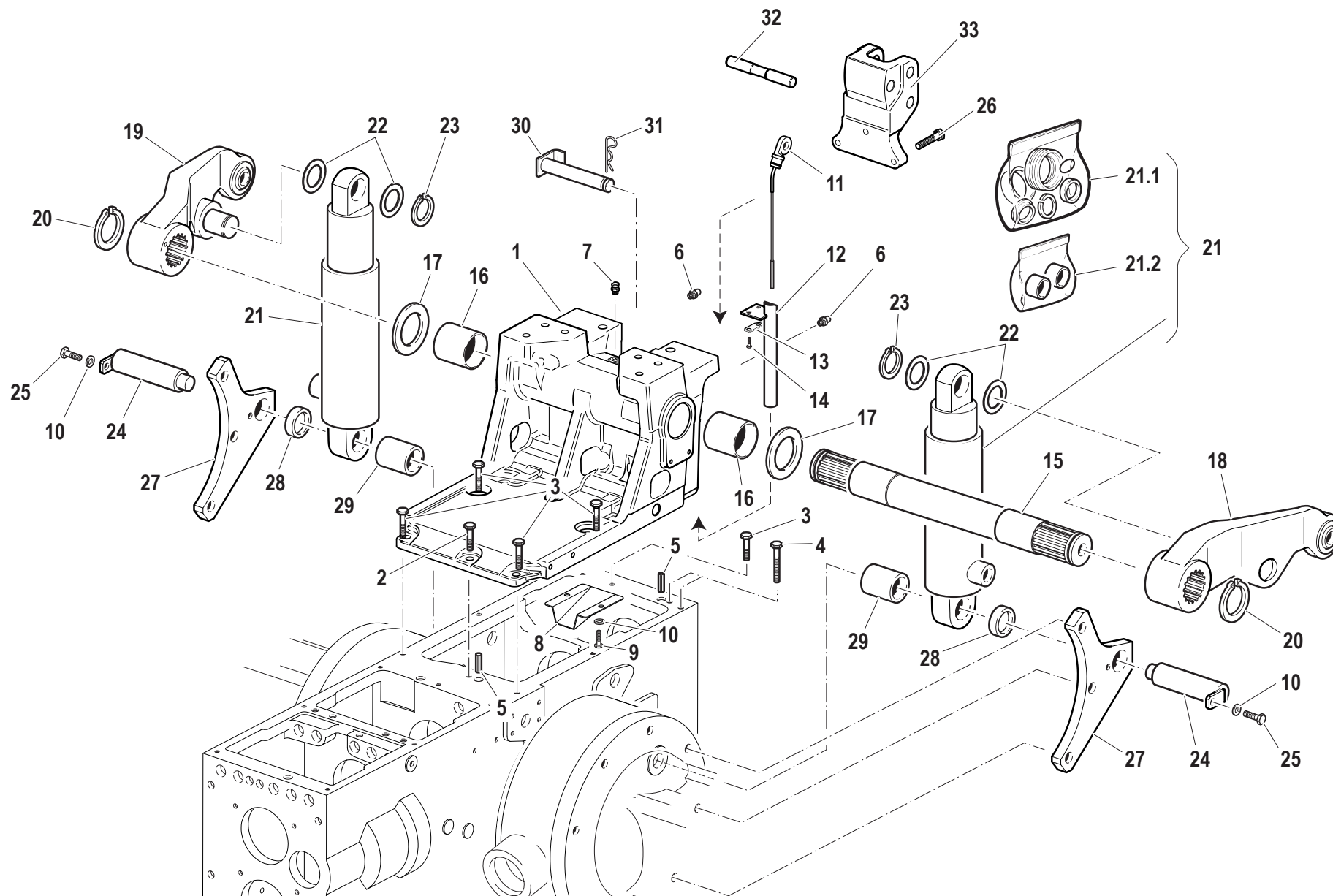
SERIAL

RAISE/LOWER LIFT

CODE REV

L.01.01.L60002_0

Pos.	Code	Q.ty	Description	Notes
4	F0863429000	4	SCREW M10X45 UNI 5737	



Pos.	Code	Q.ty	Description	Notes
1	51175941	1	SUPPORT	
2	31112219	1	SCREW TE M10X25 UNI 5739	
3	31112211	5	SCREW TE M10X30 UNI 5739	
4	F0863429000	4	SCREW M10X45 UNI 5737	
5	56570016	2	CYLINDRICAL PLUG	
6	F0826056000	2	LUBRICATOR M10 UNI 7663A	
7	58075603	1	PLUG	
8	56173638	1	GUARD	
9	31112149	2	SCREW TE M8X12 UNI 5739 8G	
10	F0843643060	4	WASHER 8	
11	58179483	1	OIL LEVEL ROD	
12	59079485	1	PIPE	
13	52071702	1	CLAMPING PLATE	
14	31112082	2	SCREW TE M6X12 UNI 5739 8G	
15	56376260	1	SHAFT	
16	58170291	2	BUSHING	
17	56370288	2	SHIM	
18	59070289	1	LIFTING ARM	
19	59070290	1	RIGHT ARM	
20	F0801331050	2	SEEGER RING	
21	58170245	2	LIFTING CYLINDER	
22	56370282	4	SHIM	
23	F0801241010	2	SEEGER RING	
24	56375860	2	HINGE PIN	
25	31112150	2	SCREW TE M8X20 UNI 5739 8G	
26	F0863359000	3	SCREW M10X40 UNI 5737	
27	56170283	2	BRACKET	
28	56175859	2	SPACER	
29	56170285	2	SPACER	
30	56374574	1	CONNECTING BOLT	
31	F0851486000	1	SPLIT PIN	
32	59078588	1	CONNECTING BOLT	
33	51376275	1	THREE-POINT LINKAGE	
21.1	58171537	1	GASKET SET	

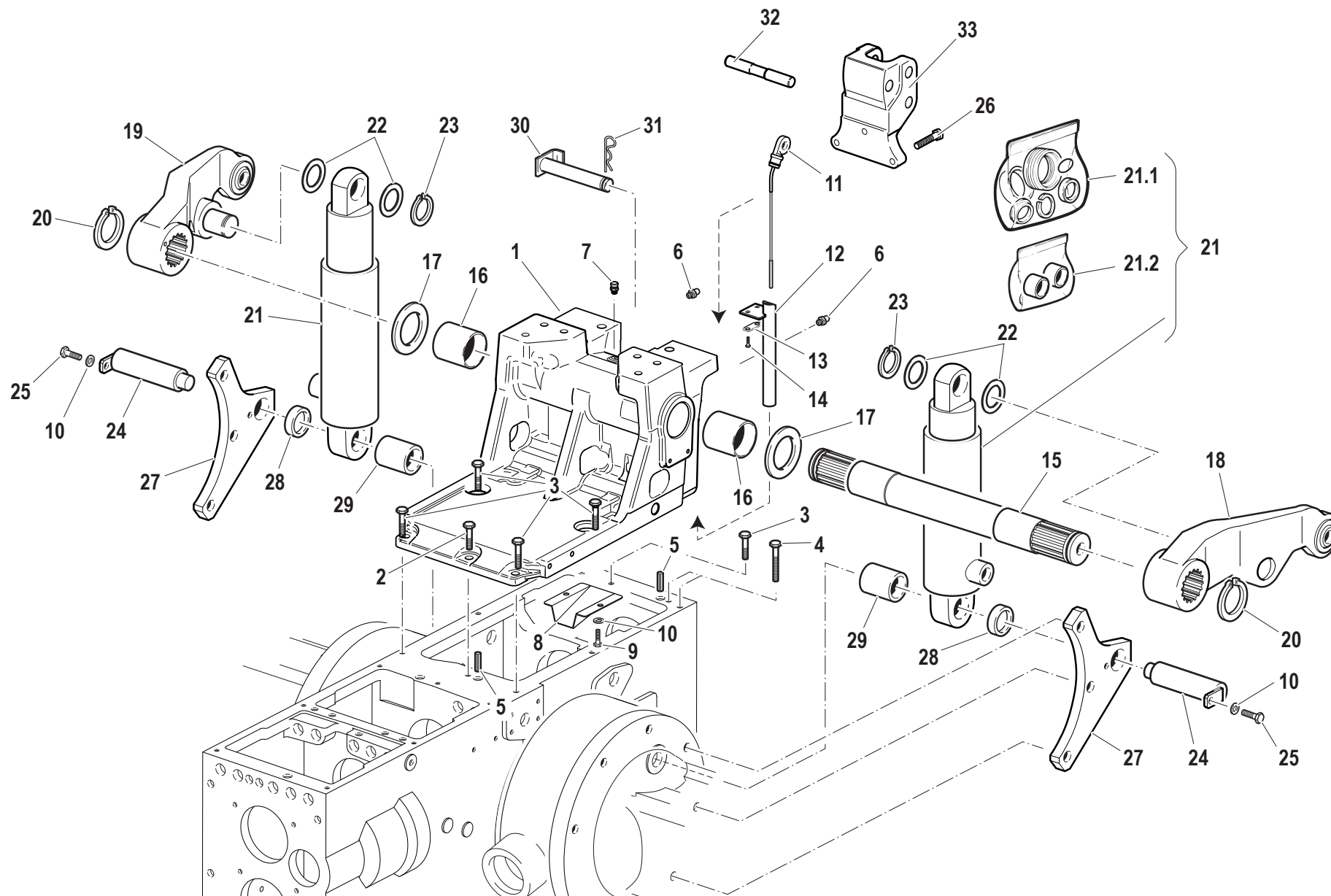
SERIAL

SOLLEVATORE IDRAULICO ALZA ABBASSA

Hp 75

CODE REV

L.01.01.L60007_0



Pos.	Code	Q.ty	Description	Notes
21.2	58171536	1	BUSHINGS KIT	

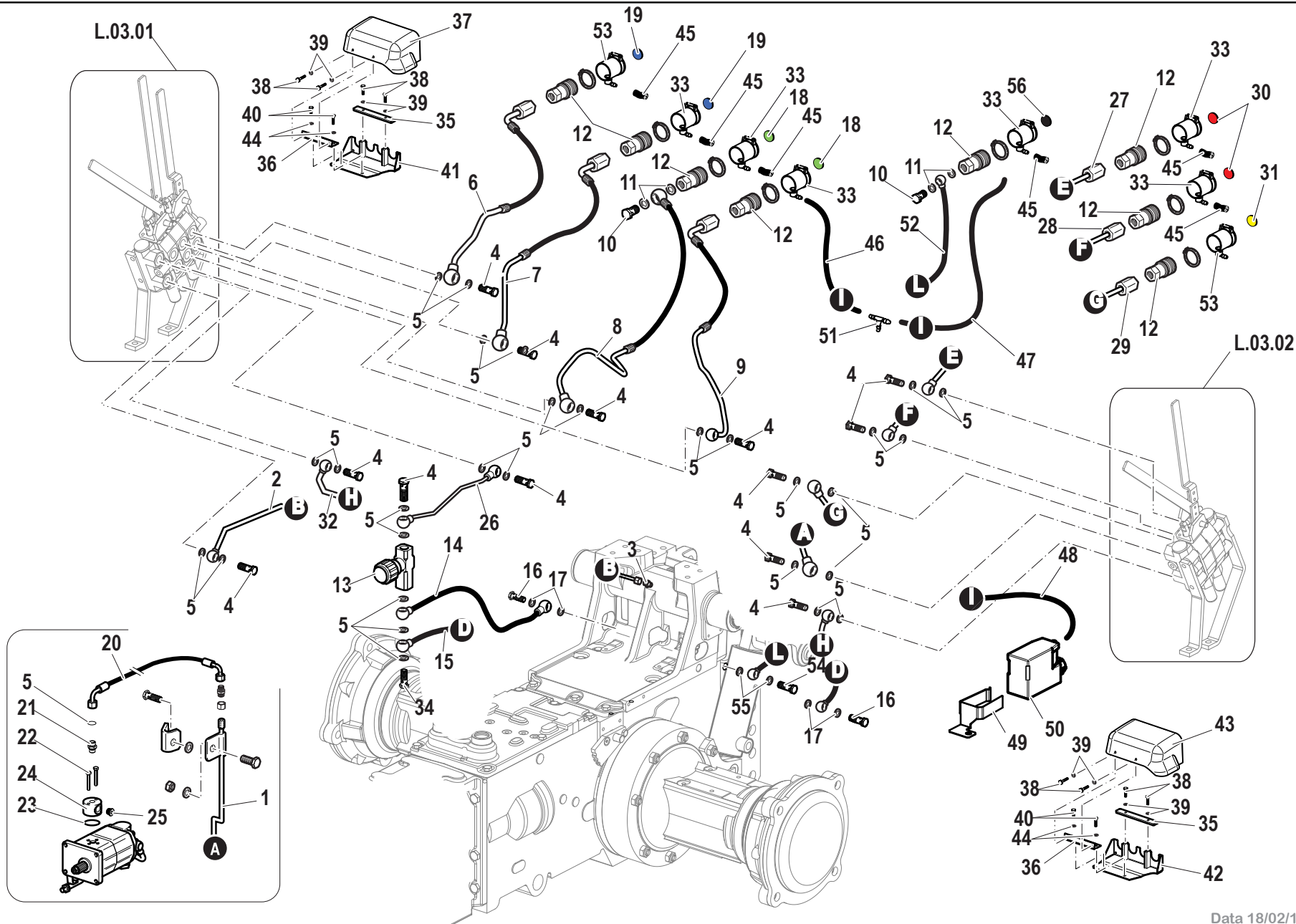
SERIAL

SOLLEVATORE IDRAULICO ALZA ABBASSA

Hp 75

CODE REV

L.01.01.L60007_0



Pos.	Code	Q.ty	Description	Notes
1	59079347	1	PRESSURE PIPE	
2	59079351	1	EXHAUST	
3	30000244	1	PIPE FITTING	
4	F0843109020	13	PIPE FITTING	
5	F0824110000	27	COPPER WASHER 3/8 GAS	
6	59079341	1	DISTRIBUTING PIPE	
7	59079342	1	DISTRIBUTING PIPE	
8	59079343	1	DISTRIBUTING PIPE	
9	59079344	1	DISTRIBUTING PIPE	
10	F0843116000	3	PIPE FITTING 1/2	
11	F0824141000	4	COPPER WASHER 21x27/1,5	
12	F0825980030	8	COUPLING	
13	P241171000000	1	VALVE	
14	58079203	1	FLEXIBLE HOSE	
15	58079202	1	FLEXIBLE HOSE	
16	F0843110010	2	THREADED TERMINAL END M18x1,5	
17	F0824113000	4	COPPER WASHER 18X24/1,5	
18	F0852550230	2	DECAL	
19	F0852550220	2	DECAL	
20	58077114	1	FLEXIBLE HOSE	
21	30000197	1	NIPPLE	
22	F0862345000	2	SCREW M6X40 UNI 5737	
23	F0803185000	1	O-RING	
24	56176208	1	PIPE CONNECTION	
25	58072045	1	PLUG	
26	59079353	1	PRESSURE PIPE	
27	59076835	1	DISTRIBUTING PIPE	
28	59076836	1	DISTRIBUTING PIPE	
29	59076837	1	DISTRIBUTING PIPE	
30	F0852550200	2	DECAL	
31	F0852550210	1	DECAL	
32	59079348	1	CONNECTION PIPE	
33	58176914	6	COVER	
34	58170693	1	PIPE FITTING	

SERIAL

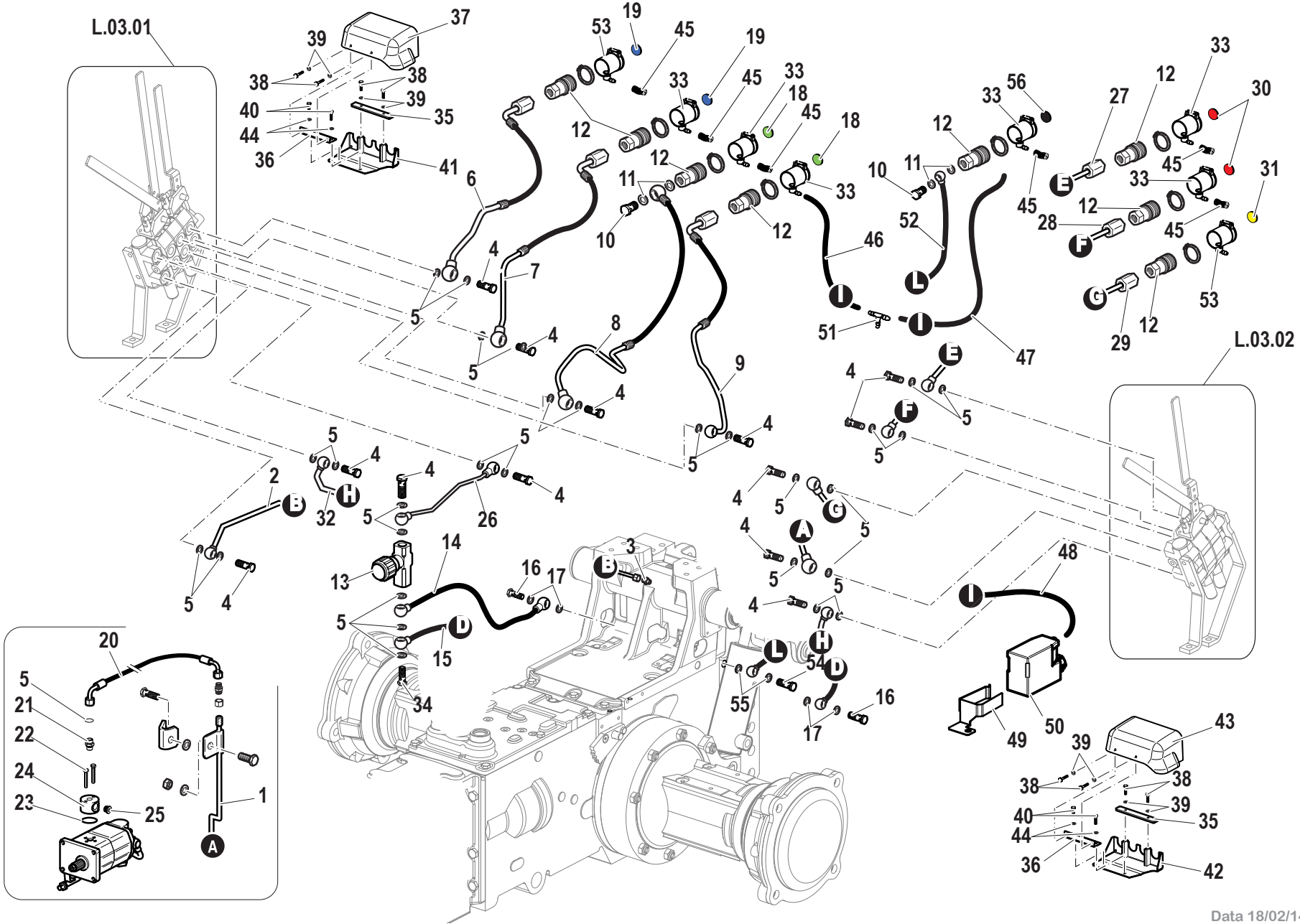
ALLESTIMENTO DISTRIBUTORI

Hp 75

CODE REV

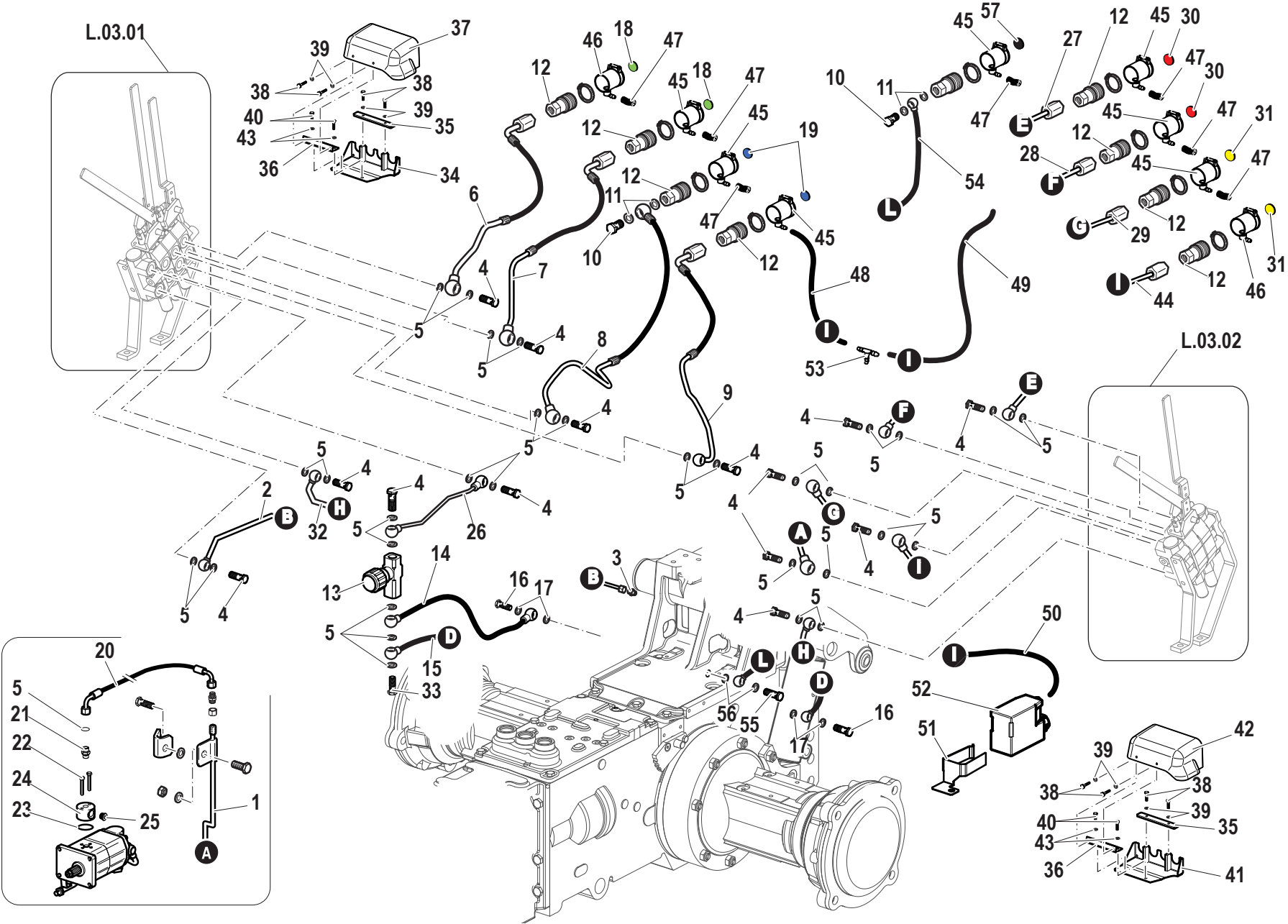
L.02.05.L60001_0

ALLESTIMENTO DISTRIBUTORI



L.02.05.L60001_0

Pos.	Code	Q.ty	Description	Notes
35	59076706	2	BRACKET	
36	56176705	2	FIXING BRACKET	
37	57376703	1	COVER	
38	F0862479034	8	SCREW M6X12 7380	
39	31411064	8	WASHER 6,4x12,5	
40	31112151	4	SCREW TE M8X25 UNI 5739 8G	
41	59076702	1	RIGHT YOKE	
42	59076701	1	LEFT BRACKET	
43	57376704	1	COVER	
44	31411084	4	WASHER 8,4x17	
45	58077661	6	PIPE	
46	58074895	1	PIPE	
47	58077663	1	PIPE	
48	58077662	1	PIPE	
49	56177267	1	TANK SUPPORT	
50	F0852550500	1	TANK	
51	58170339	1	PIPE FITTING	
52	58079362	1	EXHAUST HOSE	
53	58176913	2	COVER	
54	F0843122000	1	SCREW 22x1,5	
55	F0844273090	2	GASKET 22X28X1,5 CU 99,5	
56	F0852550240	1	DECAL	



L.02.06.L60001_0

Pos.	Code	Q.ty	Description	Notes
1	59079347	1	PRESSURE PIPE	
2	59079351	1	EXHAUST	
3	30000244	1	PIPE FITTING	
4	F0843109020	13	PIPE FITTING	
5	F0824110000	30	COPPER WASHER 3/8 GAS	
6	59079341	1	DISTRIBUTING PIPE	
7	59079342	1	DISTRIBUTING PIPE	
8	59079343	1	DISTRIBUTING PIPE	
9	59079344	1	DISTRIBUTING PIPE	
10	F0843116000	2	PIPE FITTING 1/2	
11	F0824141000	4	COPPER WASHER 21x27/1,5	
12	F0825980030	8	COUPLING	
13	P241171000000	1	VALVE	
14	58079203	1	FLEXIBLE HOSE	
15	58079202	1	FLEXIBLE HOSE	
16	F0843110010	2	THREADED TERMINAL END M18x1,5	
17	F0824113000	4	COPPER WASHER 18X24/1,5	
18	F0852550230	2	DECAL	
19	F0852550220	2	DECAL	
20	58077114	1	FLEXIBLE HOSE	
21	30000197	1	NIPPLE	
22	F0862345000	2	SCREW M6X40 UNI 5737	
23	F0803185000	1	O-RING	
24	56176208	1	PIPE CONNECTION	
25	58072045	1	PLUG	
26	59079353	1	PRESSURE PIPE	
27	59076835	1	DISTRIBUTING PIPE	
28	59076836	1	DISTRIBUTING PIPE	
29	59076837	1	DISTRIBUTING PIPE	
30	F0852550200	2	DECAL	
31	F0852550210	2	DECAL	
32	59079348	1	CONNECTION PIPE	
33	58170693	1	PIPE FITTING	
34	59076702	1	RIGHT YOKE	

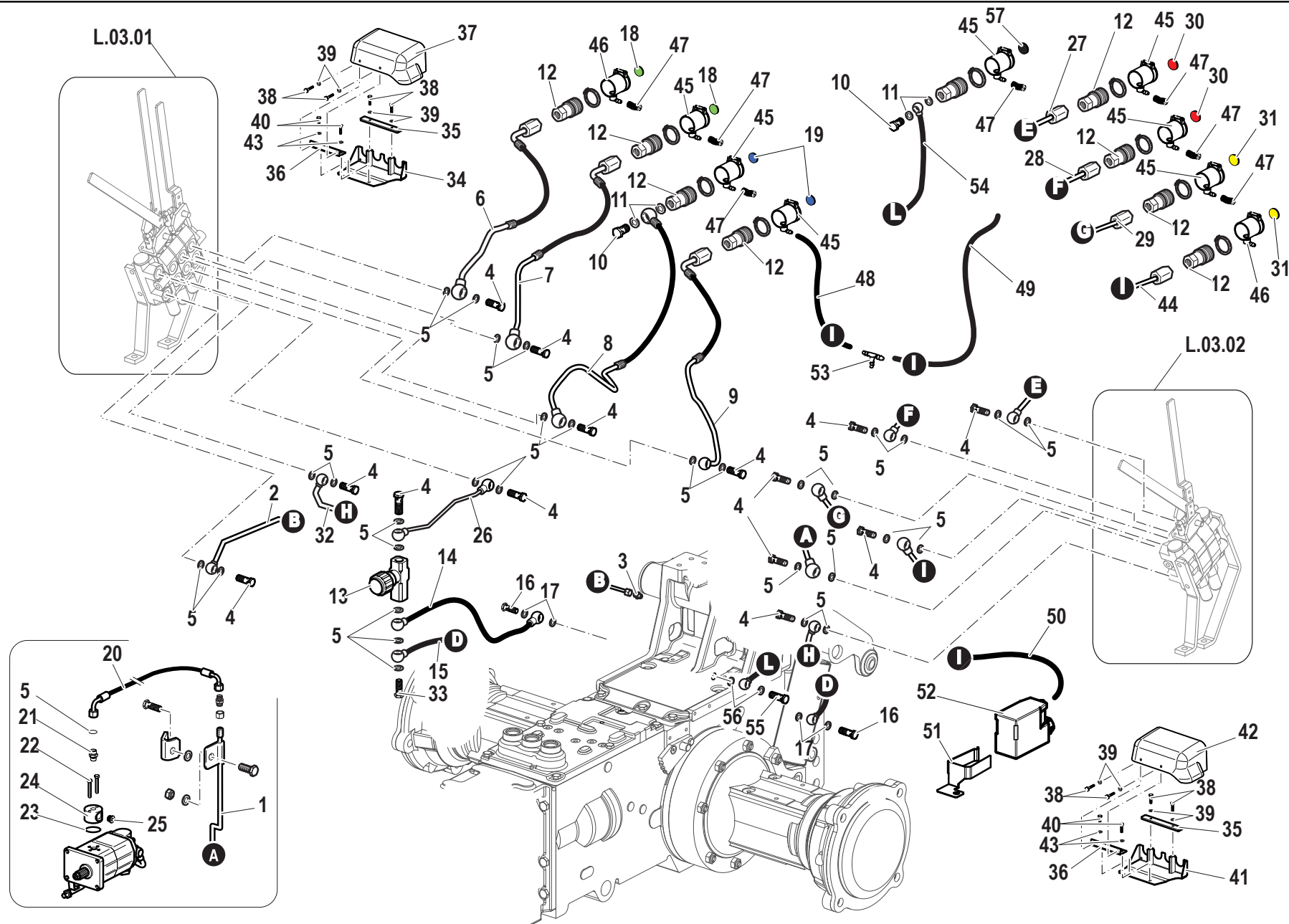
SERIAL

ALLESTIMENTO DISTRIBUTORI

Hp 75

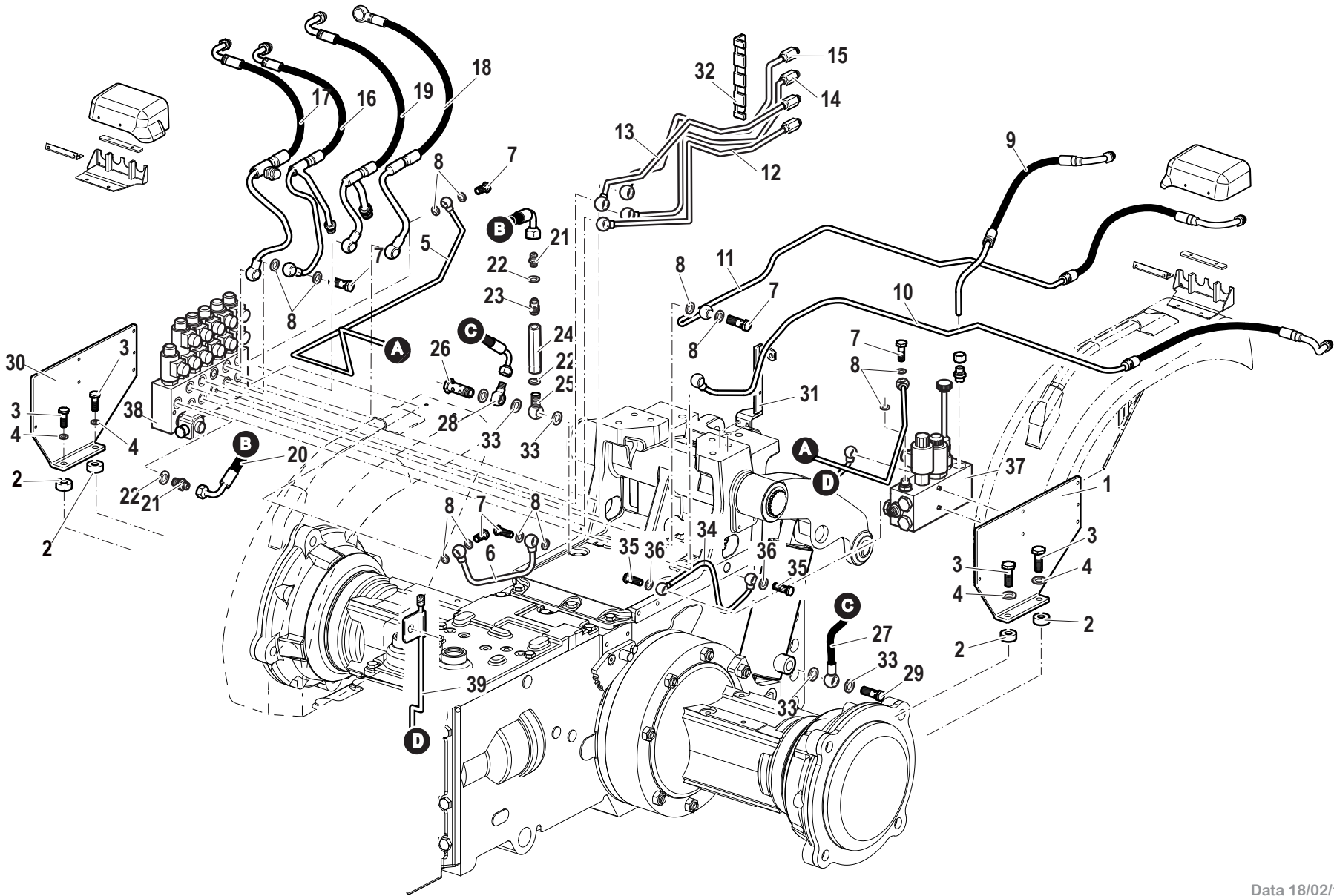
CODE REV

L.02.06.L60001_0



L.02.06.L60001_0

Pos.	Code	Q.ty	Description	Notes
35	59076706	2	BRACKET	
36	56176705	2	FIXING BRACKET	
37	57376703	1	COVER	
38	F0862479034	8	SCREW M6X12 7380	
39	31411064	8	WASHER 6,4x12,5	
40	31112151	4	SCREW TE M8X25 UNI 5739 8G	
41	59076701	1	LEFT BRACKET	
42	57376704	1	COVER	
43	31411084	4	WASHER 8,4x17	
44	59079345	1	DISTRIBUTING PIPE	
45	58176914	7	COVER	
46	58176913	2	COVER	
47	58077661	7	PIPE	
48	58074895	1	PIPE	
49	58077663	1	PIPE	
50	58077662	1	PIPE	
51	56177267	1	TANK SUPPORT	
52	F0852550500	1	TANK	
53	58170339	1	PIPE FITTING	
54	58079362	1	EXHAUST HOSE	
55	F0843122000	1	SCREW 22x1,5	
56	F0844273090	2	GASKET 22X28X1,5 CU 99,5	
57	F0852550240	1	DECAL	



Pos.	Code	Q.ty	Description	Notes
1	56079183	1	BRACKET	
2	56173110	4	SPACER	
3	31112212	4	SCREW TE M10X35 UNI 5739	
4	F0843755000	4	WASHER 10	
5	59077551	1	PIPE	
6	59077553	1	EXHAUST	
7	F0843109020	6	PIPE FITTING	
8	P996510000001	12	WASHER	
9	59077555	1	PRESSURE PIPE	
10	59077556	1	DISTRIBUTING PIPE	
11	59077558	1	DISTRIBUTING PIPE	
12	59077560	1	DISTRIBUTING PIPE	
13	59077561	1	DISTRIBUTING PIPE	
14	59077562	1	DISTRIBUTING PIPE	
15	59077563	1	DISTRIBUTING PIPE	
16	58077523	1	DISTRIBUTING PIPE	
17	58077524	1	DISTRIBUTING PIPE	
18	58077525	1	DISTRIBUTING PIPE	
19	58077526	1	DISTRIBUTING PIPE	
20	58077573	1	FLEXIBLE HOSE	
21	30000197	2	NIPPLE	
22	F0824110000	3	COPPER WASHER 3/8 GAS	
23	58177698	1	VALVE	
24	58179546	1	SMALL COLUMN	
25	58077666	1	EYELET	
26	30000787	1	HOLLOW SCREW 18x1,5	
27	58070513	1	FLEXIBLE HOSE	
28	F0842510020	1	PIPE FITTING	
29	F0843110010	1	THREADED TERMINAL END M18x1,5	
30	56079182	1	BRACKET	
31	59077532	1	FIXING BRACKET	
32	56077535	1	BRACKET	
33	F0824113000	4	COPPER WASHER 18X24/1,5	
34	59077552	1	EXHAUST	

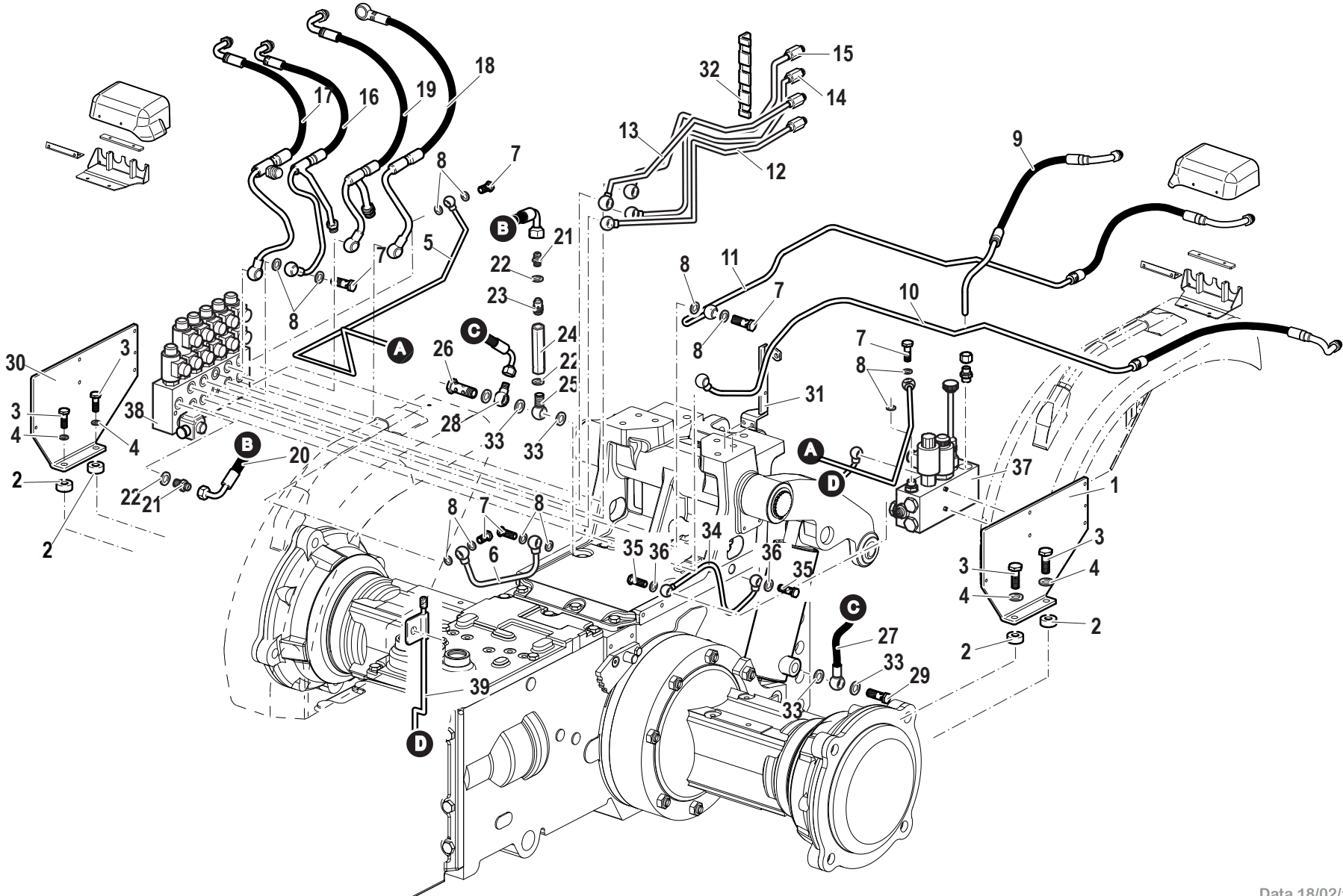
SERIAL

ALLESTIMENTO DISTRIBUTORI

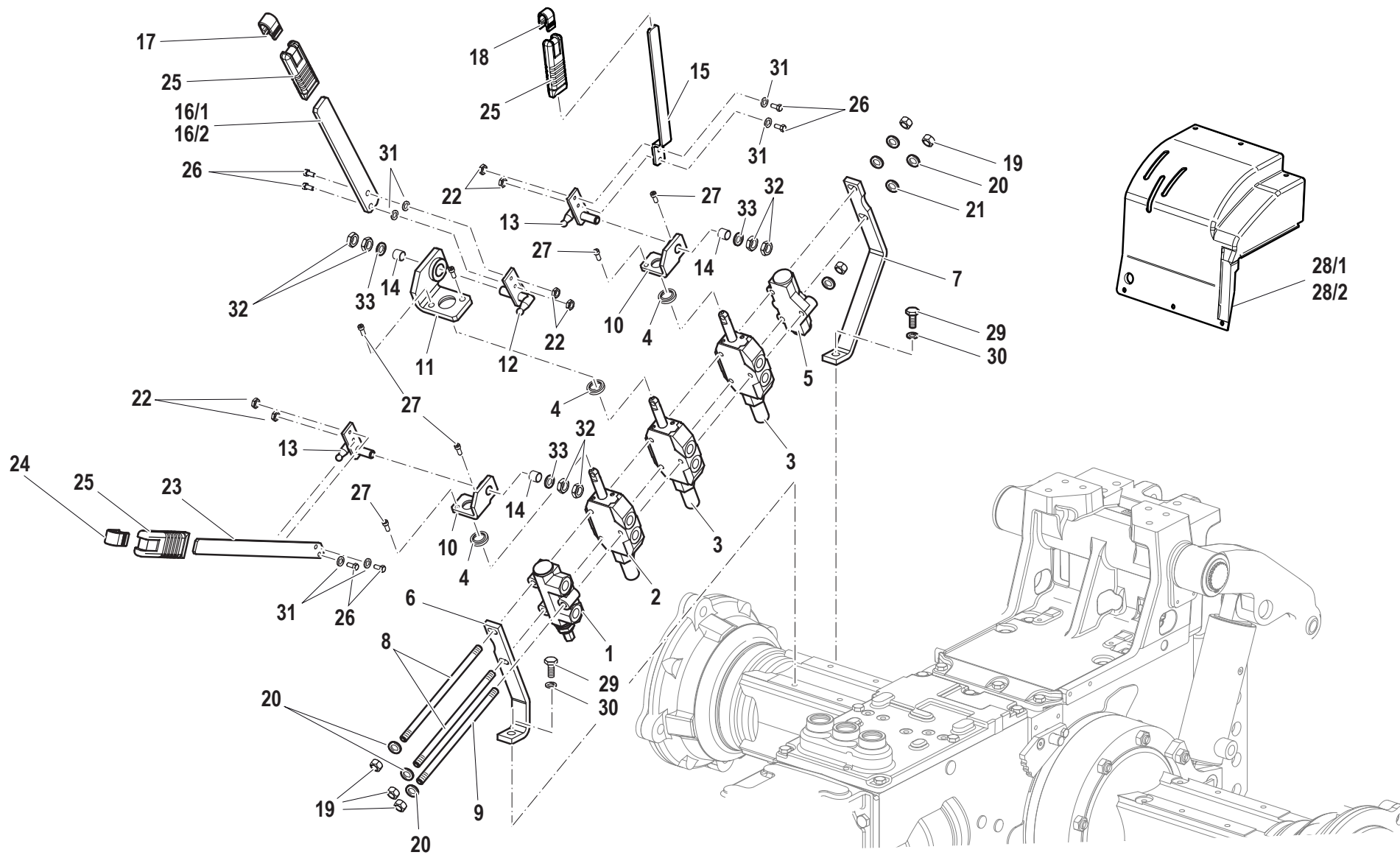
CODE REV

L.02.12.L60001_0

ALLESTIMENTO DISTRIBUTORI



Pos.	Code	Q.ty	Description	Notes
35	F0843116000	2	PIPE FITTING 1/2	
36	P439294000001	2	WASHER	
37	58177765	1	LOCKING MECHANISM	
38	58177766	1	LOCKING MECHANISM	
39	59077870	1	PRESSURE PIPE	



Pos.	Code	Q.ty	Description	Notes
1	58176872	1	HEAD	
2	58176874	1	S.A. VALVE	
3	58176876	2	D.A. VALVE	
4	58176938	3	GASKET	
5	58172489	1	COVER	
6	56179201	1	FRONT SUPPORT	
7	56176859	1	SUPPORT	
8	56178970	2	ROD	
9	58172017	1	ROD	
10	59076261	2	SUPPORT	
11	59076262	1	SUPPORT	
12	59076264	2	LEVER	
13	59076263	1	LEVER	
14	P000000309111	3	BUSHING	
15	56176854	1	COMMAND LEVER	
17	58176866	1	INSERT	
18	58176867	1	INSERT	
19	31211080	6	NUT M8	
20	F0843643060	6	WASHER 8	
21	31411084	2	WASHER 8,4x17	
22	31211050	6	NUT M5	
23	56176858	1	LEVER	
24	58175211	1	INSERT	
25	58175187	3	KNOB	
26	F0861929060	6	SCREW M5X12 UNI 5739	
27	P000000005113	6	SCREW M5X12 UNI 5931 8G	
29	31112219	2	SCREW TE M10X25 UNI 5739	
30	F0843755000	2	WASHER 10	
31	F0843561000	6	WASHER 5	
32	F0814627000	6	NUT M10	
33	31423105	3	SPRING WASHER 10,5	
16.1	56176855	1	LEVER	
16.2	56176864	1	LEVER	
28.1	57379204	1	COVER	

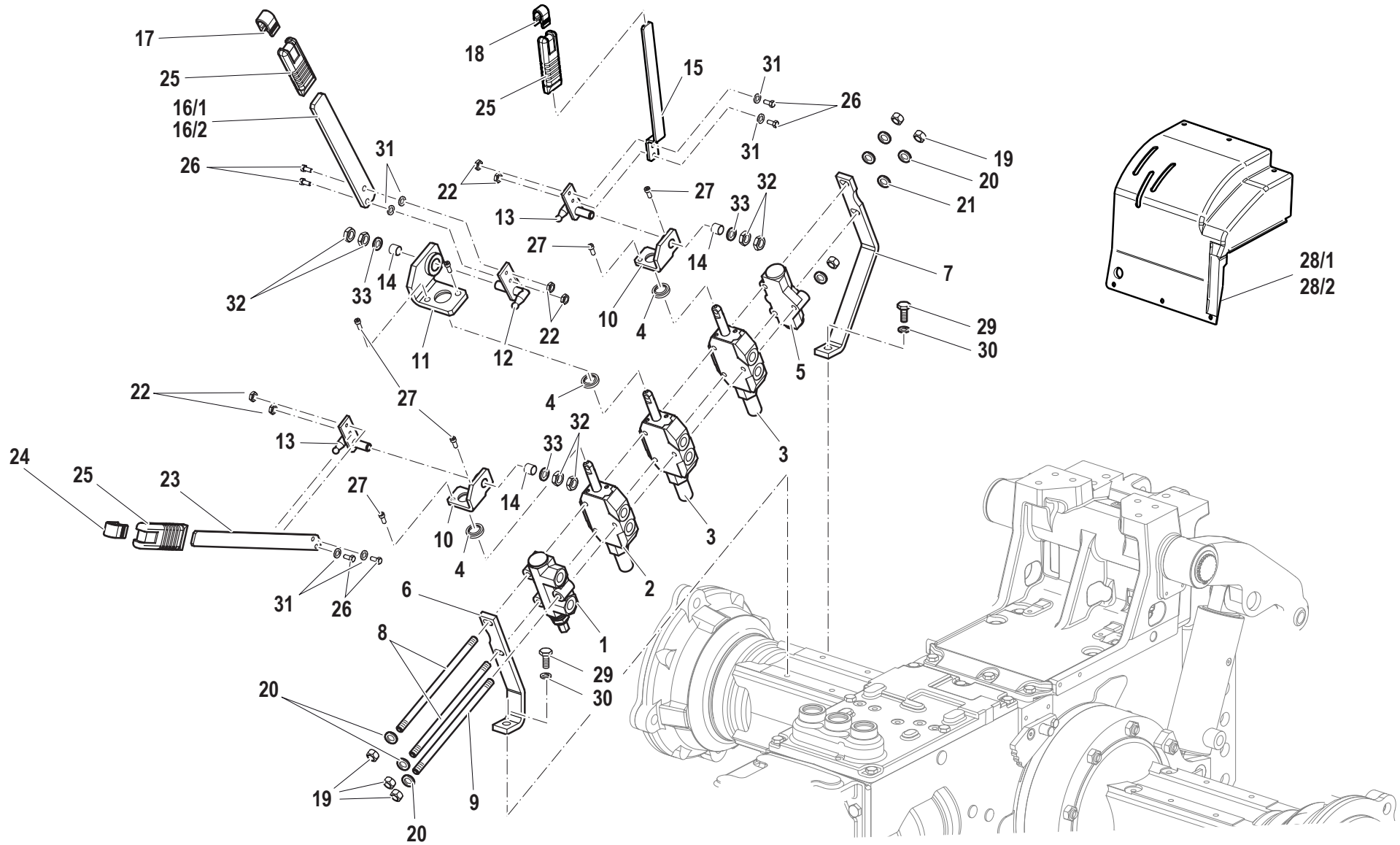
SERIAL

LEVE DISTRIBUTORI

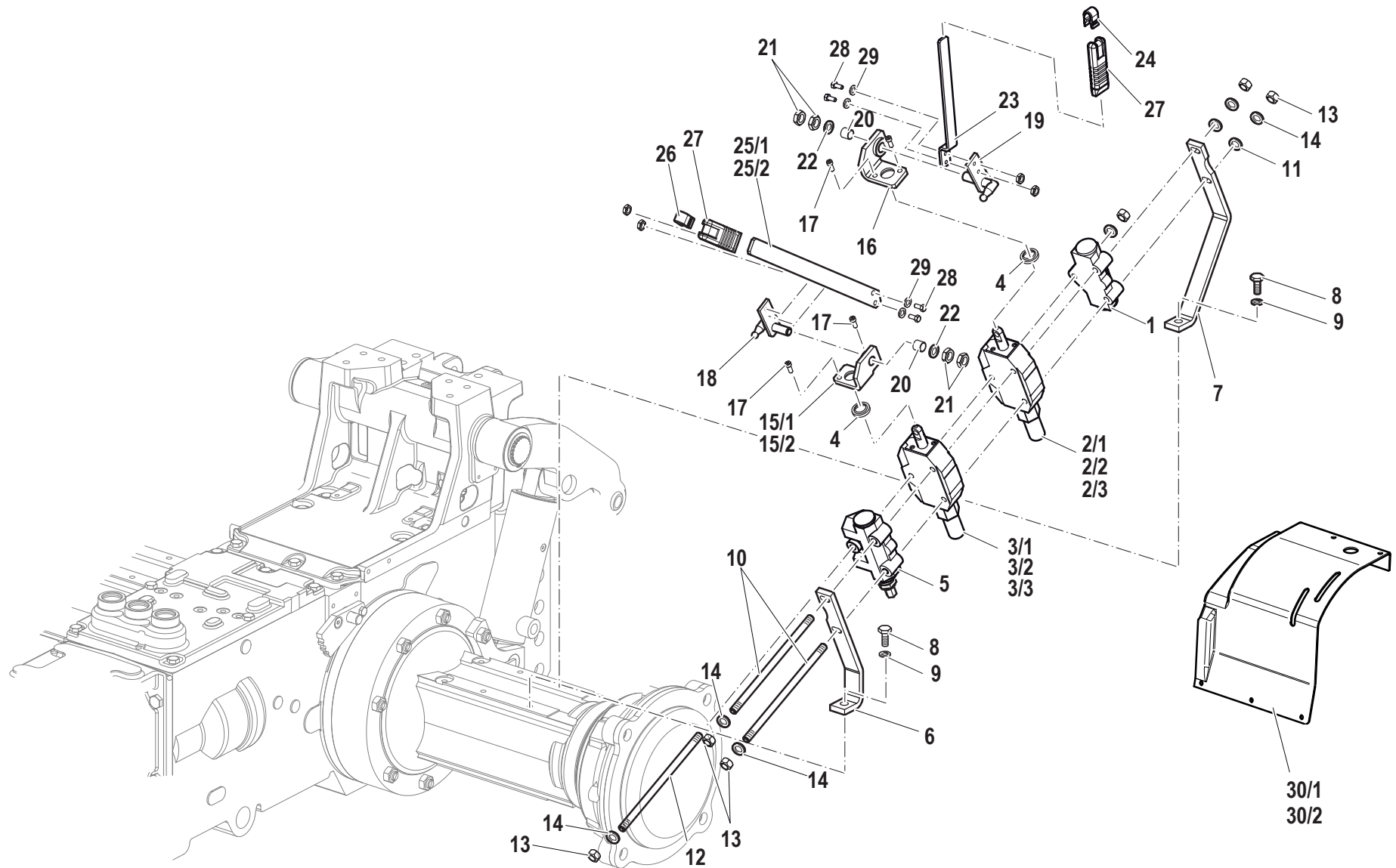
Hp 75

CODE REV

L.03.01.L60007_0



Pos.	Code	Q.ty	Description	Notes
28.2	57379366	1	COVER	



Pos.	Code	Q.ty	Description	Notes
1	58176872	1	HEAD	
4	58176938	2	GASKET	
5	58176873	1	COVER	
6	56179200	1	FRONT SUPPORT	
7	56176859	1	SUPPORT	
8	31112219	2	SCREW TE M10X25 UNI 5739	
9	F0843755000	2	WASHER 10	
10	56176997	2	ROD	
11	31411084	2	WASHER 8,4x17	
12	58172016	1	ROD	
13	31211080	6	NUT M8	
14	F0843643060	6	WASHER 8	
16	59076262	1	SUPPORT	
17	P000000005113	4	SCREW M5X12 UNI 5931 8G	
18	59076263	1	LEVER	
19	59076264	1	LEVER	
20	P000000309111	2	BUSHING	
21	F0814627000	4	NUT M10	
22	31423105	2	SPRING WASHER 10,5	
23	56176854	1	COMMAND LEVER	
24	58175188	1	INSERT	
26	58175211	1	INSERT	
27	58175187	2	KNOB	
28	F0861929060	4	SCREW M5X12 UNI 5739	
29	F0843561000	4	WASHER 5	
2/1	58176875	1	D.A. VALVE	
2/2	58176876	1	D.A. VALVE	
3/1	58176874	1	S.A. VALVE	
3/3	58176877	1	D.A. VALVE	
15.1	59076261	1	SUPPORT	
15.2	59076499	1	SUPPORT	
25/1	56176855	1	LEVER	
25/2	56176864	1	LEVER	
30/1	57379205	1	COVER	

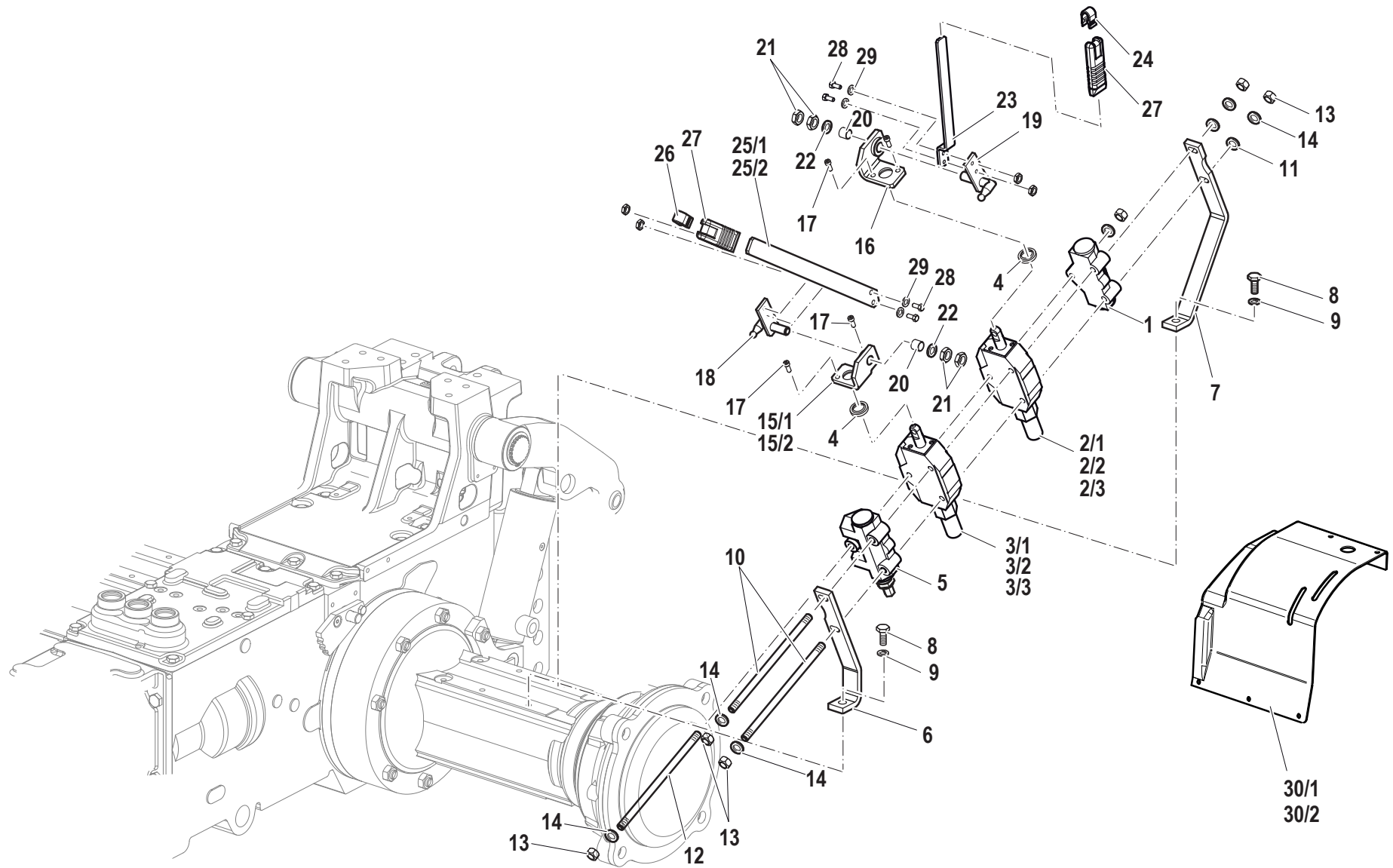
SERIAL

LEVE DISTRIBUTORI

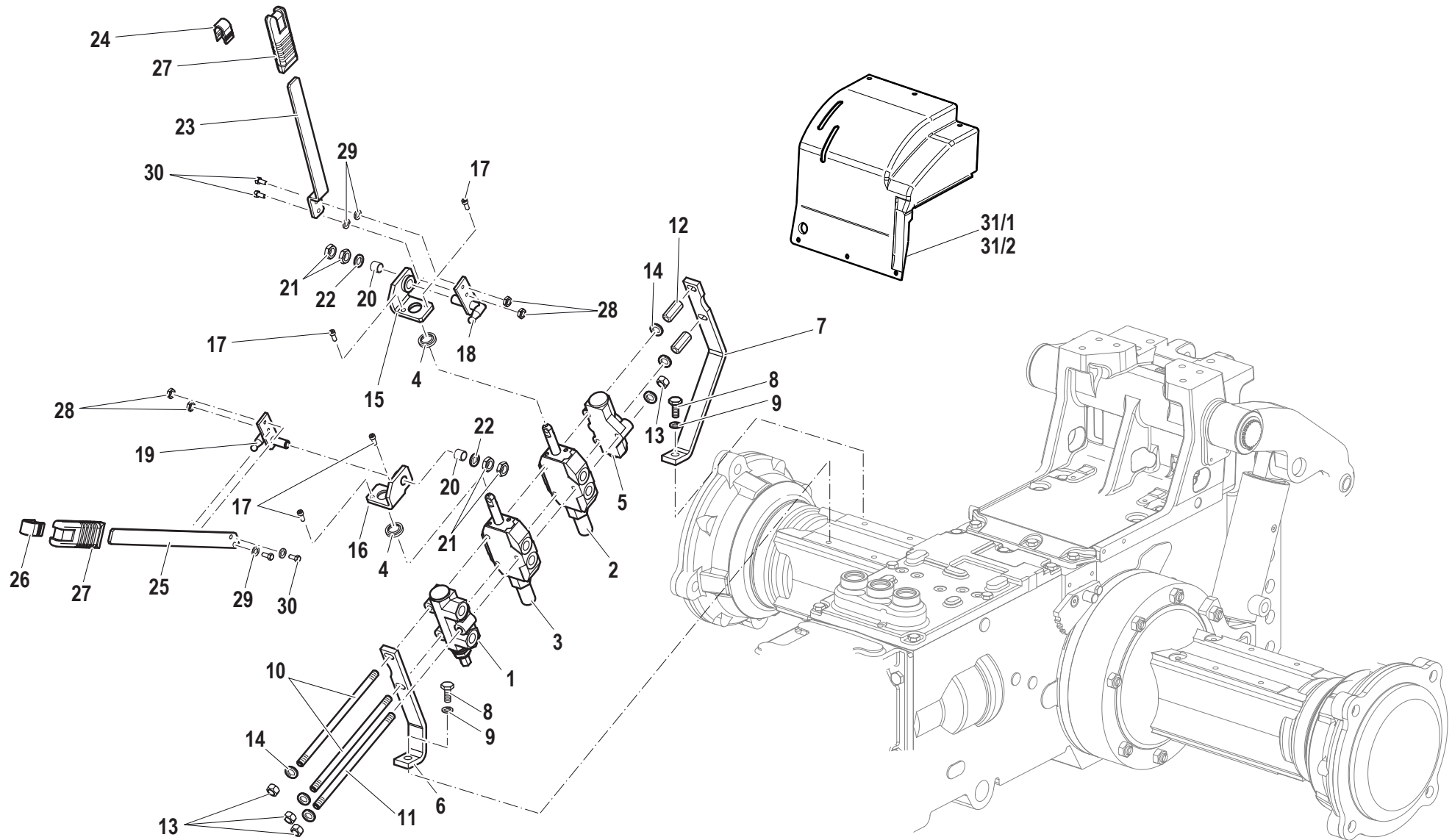
Hp 75

CODE REV

L.03.02.L60007_0



Pos.	Code	Q.ty	Description	Notes
30/2	57379367	1	COVER	



Pos.	Code	Q.ty	Description	Notes
1	58176872	1	HEAD	
2	58176874	1	S.A. VALVE	
3	58177306	1	S.A. VALVE	
4	58176938	2	GASKET	
5	58172489	1	COVER	
6	56179200	1	FRONT SUPPORT	
7	56176859	1	SUPPORT	
8	31112211	2	SCREW TE M10X30 UNI 5739	
9	F0843755000	2	WASHER 10	
10	56176997	2	ROD	
11	58172016	1	ROD	
12	56176848	2	SMALL COLUMN	
13	31211080	4	NUT M8	
14	F0843643060	6	WASHER 8	
15	59076262	1	SUPPORT	
16	59076261	1	SUPPORT	
17	P000000005113	4	SCREW M5X12 UNI 5931 8G	
18	59076264	1	LEVER	
19	59076263	1	LEVER	
20	P000000309111	2	BUSHING	
21	F0814627000	4	NUT M10	
22	31423105	2	SPRING WASHER 10,5	
23	56176854	1	COMMAND LEVER	
24	58175188	1	INSERT	
25	56176858	1	LEVER	
26	58175211	1	INSERT	
27	58175187	2	KNOB	
28	31211050	4	NUT M5	
29	F0843561000	4	WASHER 5	
30	F0861929060	4	SCREW M5X12 UNI 5739	
31/1	57379338	1	COVER	
31/2	57376962	1	COVER	

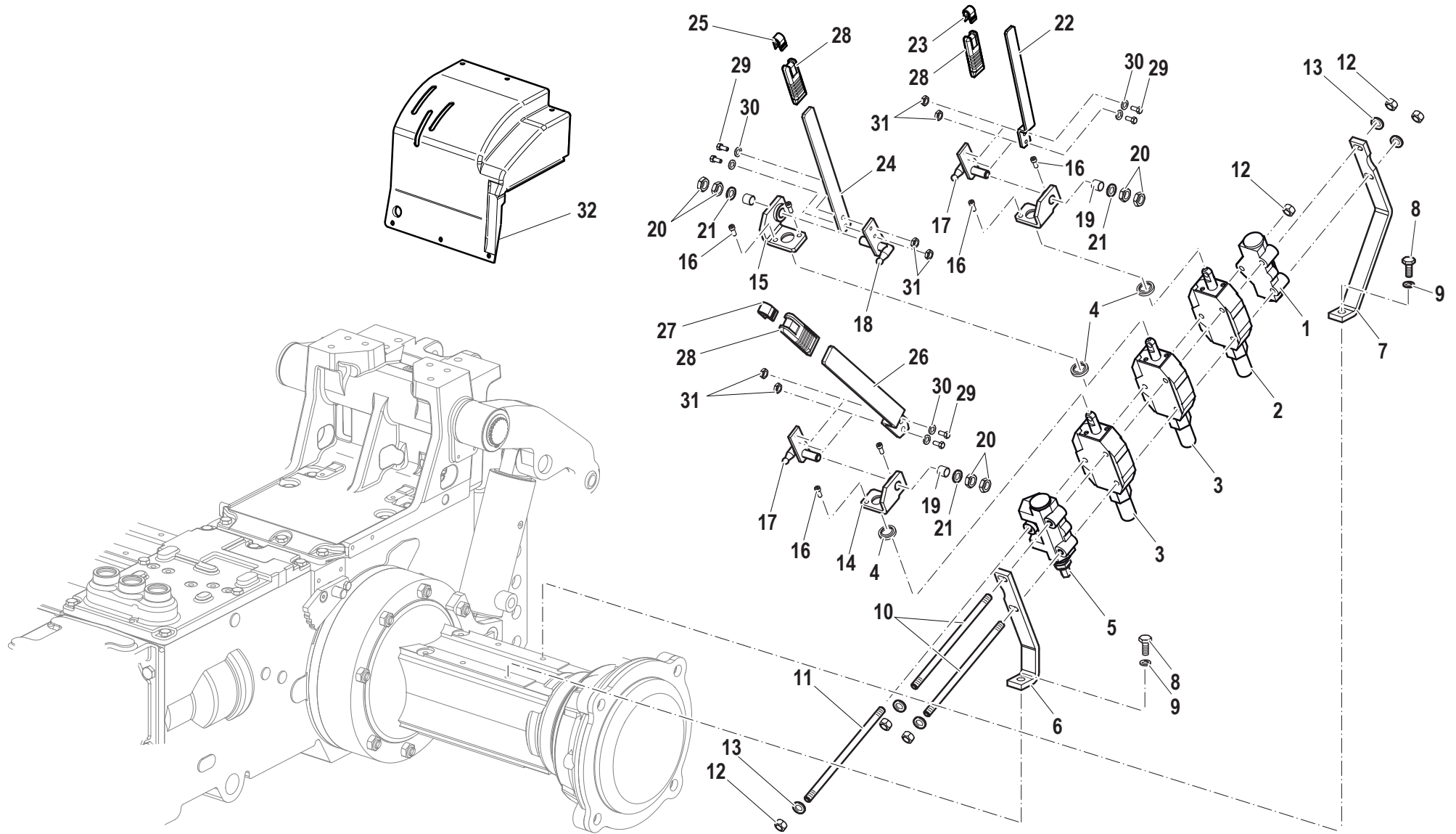
SERIAL

LEVE DISTRIBUTORI

Hp 75

CODE REV

L.03.03.L60007_0



Pos.	Code	Q.ty	Description	Notes
1	58176872	1	HEAD	
2	58176874	1	S.A. VALVE	
3	58176876	2	D.A. VALVE	
4	58176938	3	GASKET	
5	58176873	1	COVER	
6	56177786	1	FRONT SUPPORT	
7	56176859	1	SUPPORT	
8	31112219	2	SCREW TE M10X25 UNI 5739	
9	F0843755000	2	WASHER 10	
10	56176890	2	ROD	
11	58172018	1	ROD	
12	31211080	6	NUT M8	
13	F0843643060	6	WASHER 8	
14	59076261	2	SUPPORT	
15	59076262	1	SUPPORT	
16	P000000005113	6	SCREW M5X12 UNI 5931 8G	
17	59076263	2	LEVER	
18	59076264	1	LEVER	
19	P000000309111	3	BUSHING	
20	F0814627000	6	NUT M10	
21	31423105	3	SPRING WASHER 10,5	
22	56176854	1	COMMAND LEVER	
23	58175188	1	INSERT	
24	56176855	1	LEVER	
25	58175211	1	INSERT	
26	56176856	1	LEVER	
27	58176867	1	INSERT	
28	58175187	3	KNOB	
29	F0861929060	6	SCREW M5X12 UNI 5739	
30	F0843561000	6	WASHER 5	
31	31211050	6	NUT M5	
32	57377288	1	COVER	

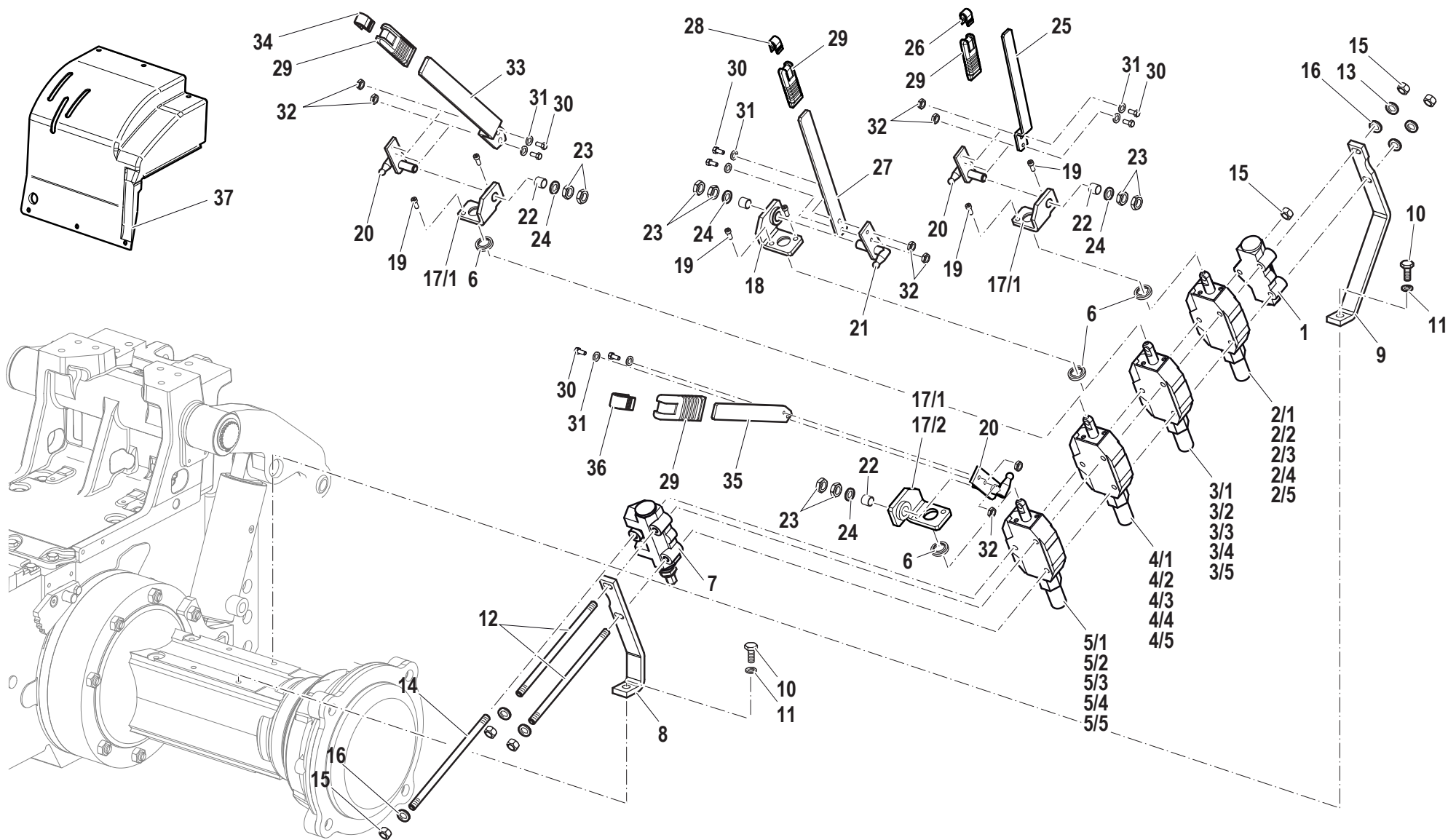
SERIAL

LEVE DISTRIBUTORI

Hp 75

CODE REV

L.03.04.L60007_0



Pos.	Code	Q.ty	Description	Notes
1	58176872	1	HEAD	
6	58176938	4	GASKET	
7	58176873	1	COVER	
8	56177786	1	FRONT SUPPORT	
9	56176859	1	SUPPORT	
10	31112219	2	SCREW TE M10X25 UNI 5739	
11	F0843755000	2	WASHER 10	
12	56176890	2	ROD	
13	31411084	2	WASHER 8,4x17	
14	58172018	1	ROD	
15	31211080	6	NUT M8	
16	F0843643060	6	WASHER 8	
18	59076262	1	SUPPORT	
19	P00000005113	4	SCREW M5X12 UNI 5931 8G	
20	59076263	3	LEVER	
21	59076264	1	LEVER	
22	P000000309111	2	BUSHING	
23	F0814627000	4	NUT M10	
24	31423105	2	SPRING WASHER 10,5	
25	56176854	1	COMMAND LEVER	
26	58175188	1	INSERT	
27	56176855	1	LEVER	
28	58175211	1	INSERT	
29	58175187	4	KNOB	
30	F0861929060	8	SCREW M5X12 UNI 5739	
31	F0843561000	8	WASHER 5	
32	31211050	8	NUT M5	
33	56176856	1	LEVER	
34	58176867	1	INSERT	
35	56176857	1	COMMAND LEVER	
36	58176866	1	INSERT	
37	57379384	1	COVER	
2/1	58176874	1	S.A. VALVE	
2/2	58176874	1	S.A. VALVE	

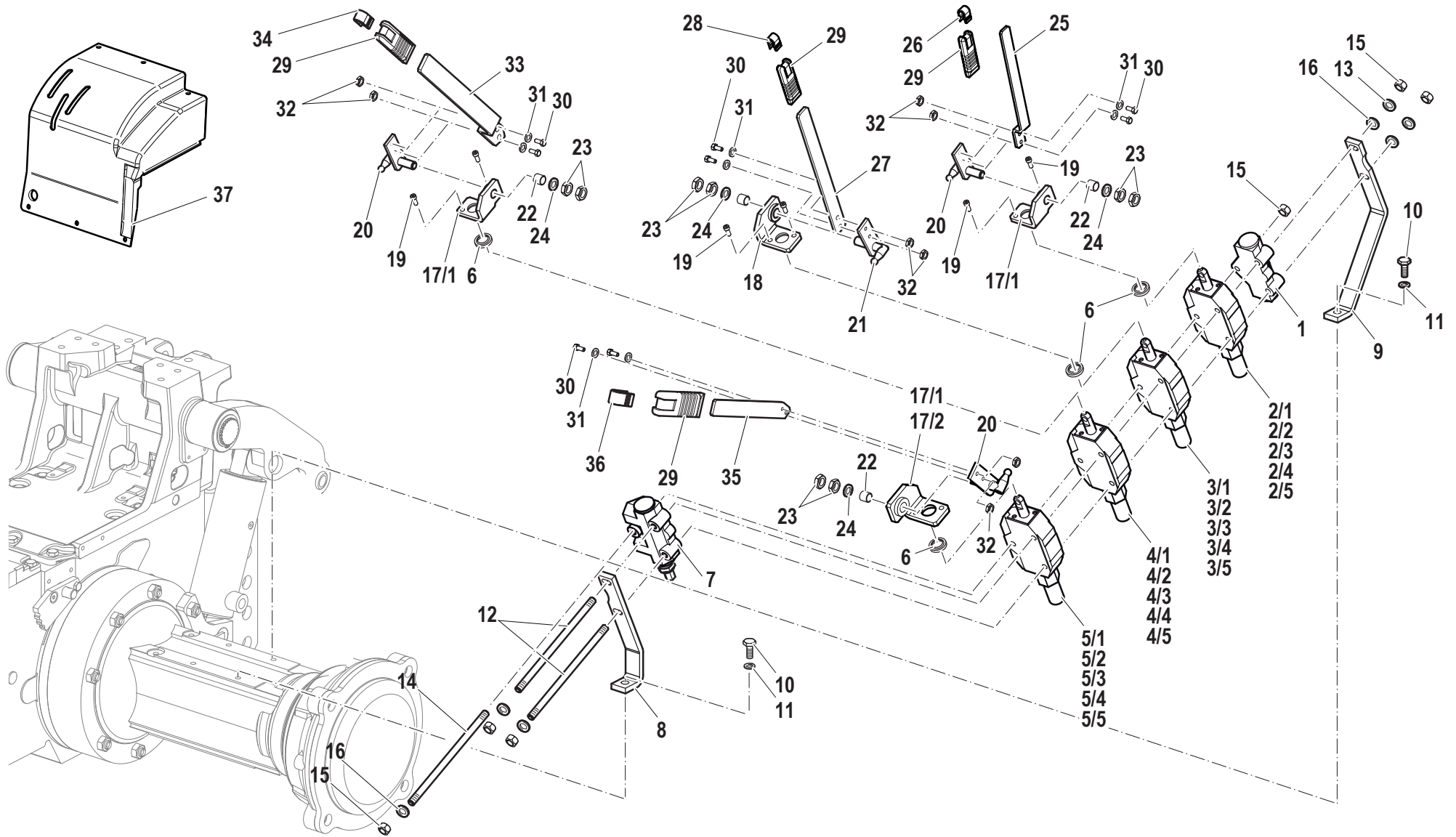
SERIAL

LEVE DISTRIBUTORI

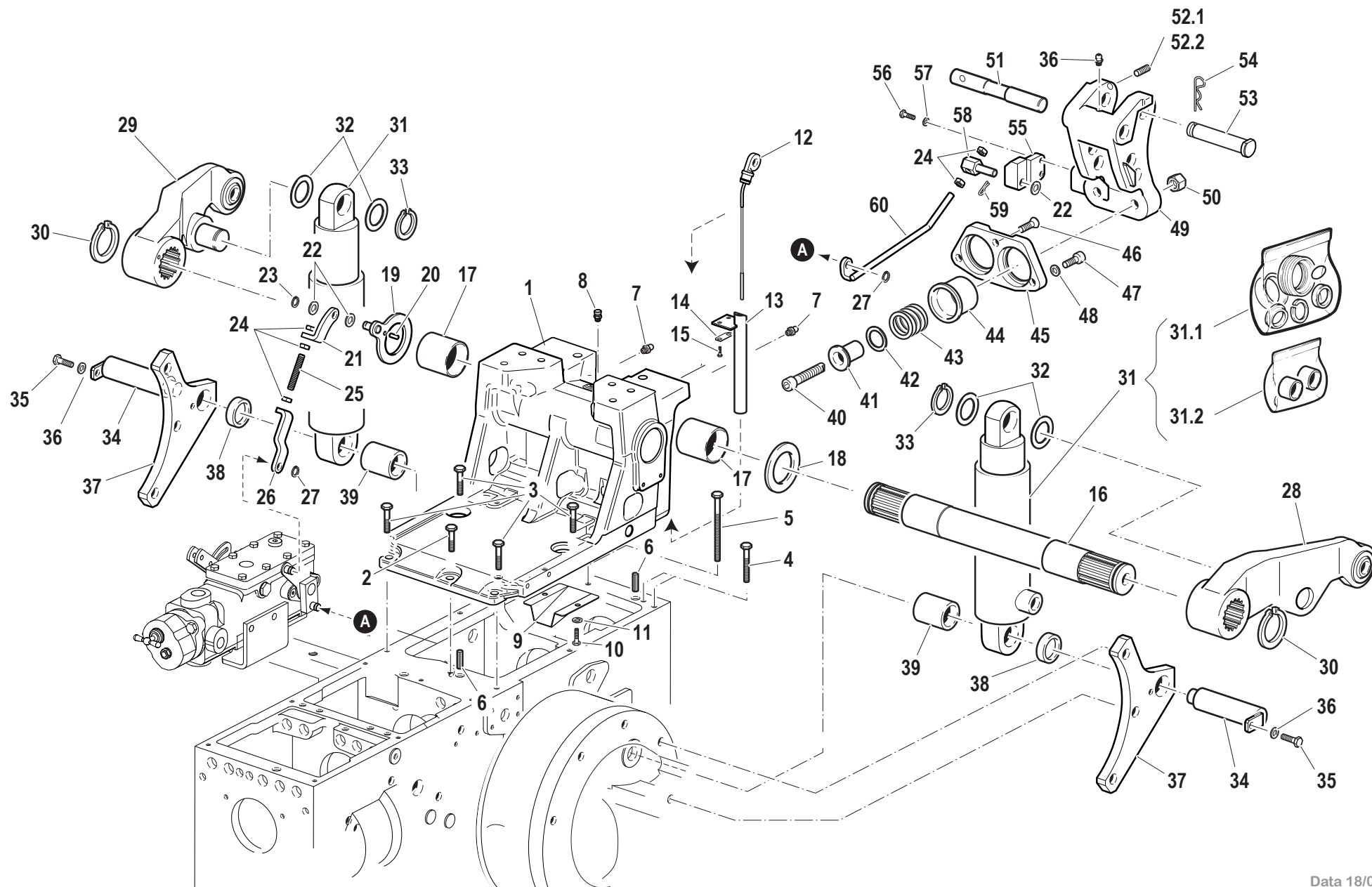
Hp 75

CODE REV

L.03.05.L60007_0



Pos.	Code	Q.ty	Description	Notes
2/3	58176874	1	S.A. VALVE	
2/4	58176876	1	D.A. VALVE	
2/5	58176876	1	D.A. VALVE	
3/1	58176876	1	D.A. VALVE	
3/2	58176876	1	D.A. VALVE	
3/3	58176876	1	D.A. VALVE	
3/4	58176876	1	D.A. VALVE	
3/5	58176874	1	S.A. VALVE	
4/1	58176876	1	D.A. VALVE	
4/2	58176876	1	D.A. VALVE	
4/3	58176876	1	D.A. VALVE	
4/4	58176875	1	D.A. VALVE	
4/5	58176876	1	D.A. VALVE	
5/1	58176874	1	S.A. VALVE	
5/2	58176875	1	D.A. VALVE	
5/3	58176877	1	D.A. VALVE	
5/4	58176877	1	D.A. VALVE	
5/5	58176875	1	D.A. VALVE	
17/1	59076261	3	SUPPORT	
17/2	59076499	1	SUPPORT	



Pos.	Code	Q.ty	Description	Notes
1	51175941	1	SUPPORT	
2	31112219	1	SCREW TE M10X25 UNI 5739	
3	31112211	4	SCREW TE M10X30 UNI 5739	
4	F0863429000	4	SCREW M10X45 UNI 5737	
5	31112217	1	SCREW TE M10X80 UNI 5737	
6	56570016	2	CYLINDRICAL PLUG	
7	F0826056000	3	LUBRICATOR M10 UNI 7663A	
8	58075603	1	PLUG	
9	56173638	1	GUARD	
10	31112149	2	SCREW TE M8X12 UNI 5739 8G	
11	F0843643060	2	WASHER 8	
12	58179483	1	OIL LEVEL ROD	
13	59079485	1	PIPE	
14	52071702	1	CLAMPING PLATE	
15	31112082	2	SCREW TE M6X12 UNI 5739 8G	
16	56376260	1	SHAFT	
17	58170291	2	BUSHING	
18	56370288	1	SHIM	
19	590A0773	1	SHIM	
21	56377434	1	BRACKET	
22	31411104	3	WASHER 10,5x18	
23	F0801050000	1	SEEGER RING	
24	F0814569000	5	NUT	
25	31100789	1	SCREW M8x70 UNI 5923 45H ZNT/B	102-11
26	56376259	1	BRACKET	
27	35211070	2	SEEGER RING	
28	59070289	1	LIFTING ARM	
29	59070290	1	RIGHT ARM	
30	F0801331050	2	SEEGER RING	
31	58170245	2	LIFTING CYLINDER	
32	56370282	4	SHIM	
33	F0801241010	2	SEEGER RING	
34	56375860	2	HINGE PIN	
35	31112150	2	SCREW TE M8X20 UNI 5739 8G	

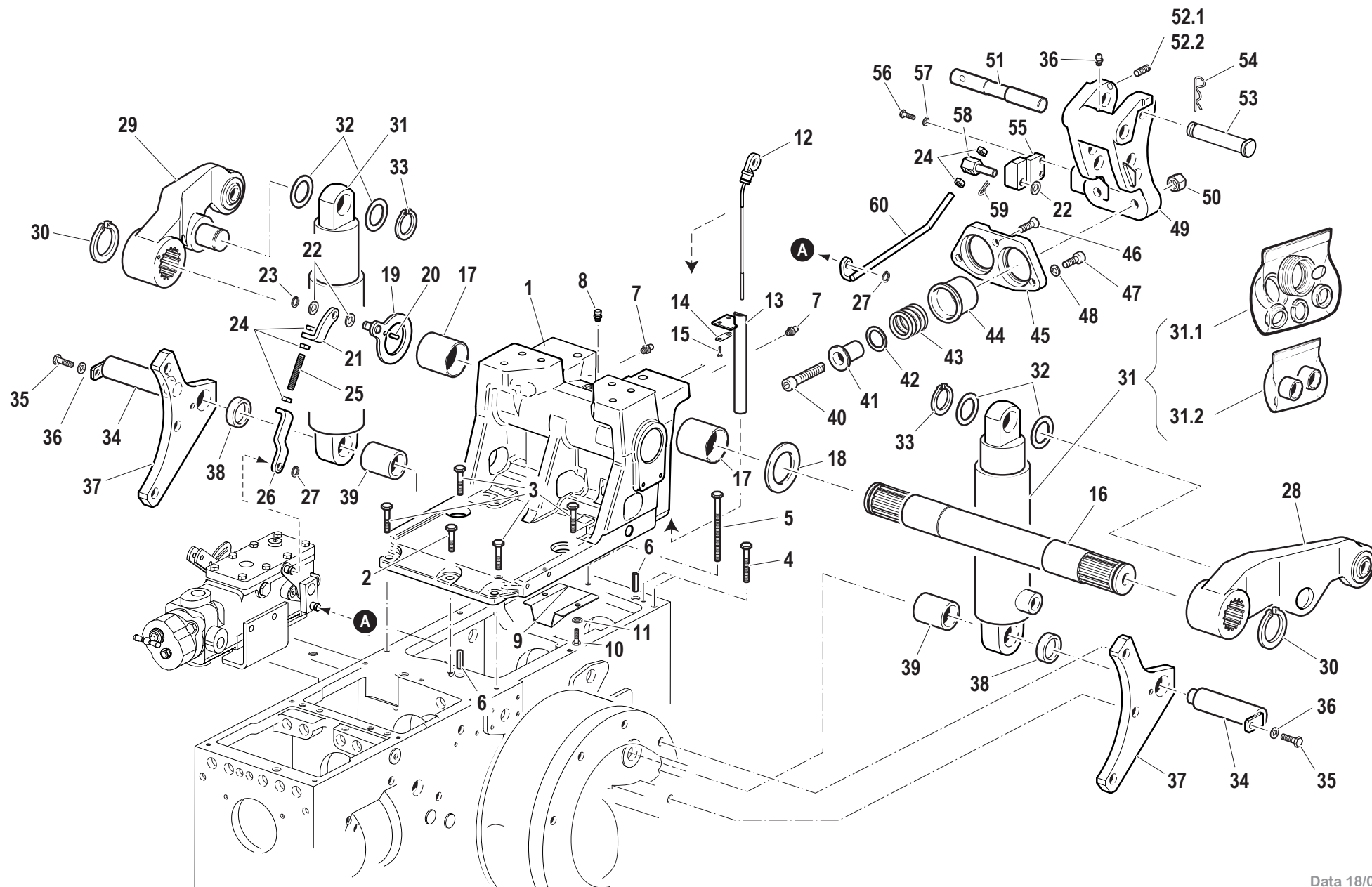
SERIAL

SOLLEVATORE IDRAULICO SFORZO CONTROLLATO

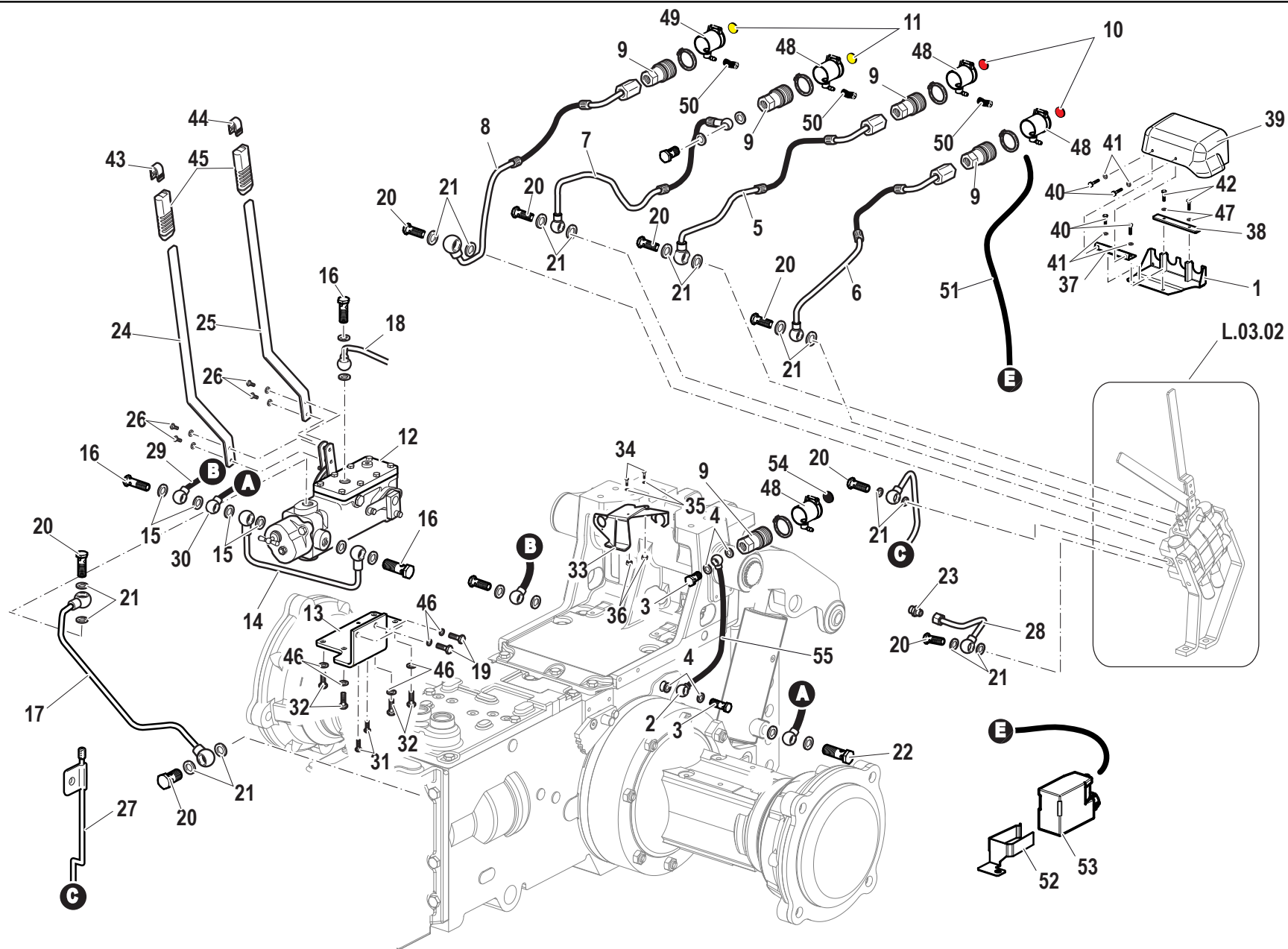
Hp 75

CODE REV

M.01.01.L60007_0



Pos.	Code	Q.ty	Description	Notes
36	30000005	1	LUBRICATOR M10	
37	56170283	2	BRACKET	
38	56175859	2	SPACER	
39	56170285	2	SPACER	
40	50973415	2	SCREW	
41	56073414	2	GUIDE	
42	56373426		SHIM	
42	56373427		SHIM	
42	56373428		SHIM	
42	58025869		SHIM	
43	58073411	2	SPRING	
44	56073413	2	SLEEVE	
45	56073416	1	FLANGE	
46	F0863208050	1	SCREW M10X20 UNI 5933	
47	31152097	2	SCREW TCEI M10X30 UNI 5931	
48	F0843755000	2	WASHER 10	
49	51173371	1	THREE-POINT LINKAGE	
50	31241121	2	SELFLOCK NUT M12	
51	56374574	1	CONNECTING BOLT	
53	56373436	1	PIN	
54	F0851486000	1	SPLIT PIN	
55	59075140	1	SMALL BLOCK	
56	31112093	2	SCREW TE M6X20	
57	F0843570000	2	WASHER 6	
58	56075143	1	HINGE PIN	
59	34110030	1	SPLIT PIN	
60	59077063	1	ROD	
31.1	58171537		GASKET SET	
31.2	58171536		BUSHINGS KIT	
52.1	F0862593050	1	SCREW M8X20 UNI 5927	
52.2	P00000005671	1	SCREW	



Pos.	Code	Q.ty	Description	Notes
1	59076701	1	LEFT BRACKET	
2	58079362	1	EXHAUST HOSE	
3	F0843116000	2	PIPE FITTING 1/2	
4	F0824141000	4	COPPER WASHER 21x27/1,5	
5	59076835	1	DISTRIBUTING PIPE	
6	59076836	1	DISTRIBUTING PIPE	
7	59079345	1	DISTRIBUTING PIPE	
8	59076837	1	DISTRIBUTING PIPE	
9	F0825980030	5	COUPLING	
10	F0852550200	2	DECAL	
11	F0852550210	2	DECAL	
12	58175191	1	DISTRIBUTOR	
13	56075161	1	FIXING BRACKET	
14	59079355	1	PRESSURE PIPE	
15	F0824113000	4	COPPER WASHER 18X24/1,5	
16	F0843110010	2	THREADED TERMINAL END M18x1,5	
17	59079349	1	DISTRIBUTING PIPE	
18	59078925	1	EXHAUST	
19	31112150	2	SCREW TE M8X20 UNI 5739 8G	
20	F0843109020	8	PIPE FITTING	
21	F0824110000	16	COPPER WASHER 3/8 GAS	
22	58170693	1	PIPE FITTING	
23	30000244	2	PIPE FITTING	
24	56076945	1	COMMAND LEVER	
25	56076944	1	COMMAND LEVER	
26	31111090	4	SCREW	
27	59077687	1	PRESSURE PIPE	
28	59079352	1	EXHAUST	
29	58079203	1	FLEXIBLE HOSE	
30	58079202	1	FLEXIBLE HOSE	
31	F0862481000	2	SCREW M8x16 UNI 5933	
32	31111151	4	SCREW TE M8X16 UNI 5739 8G	
33	56079361	1	FIXING BRACKET	
34	31112093	2	SCREW TE M6X20	

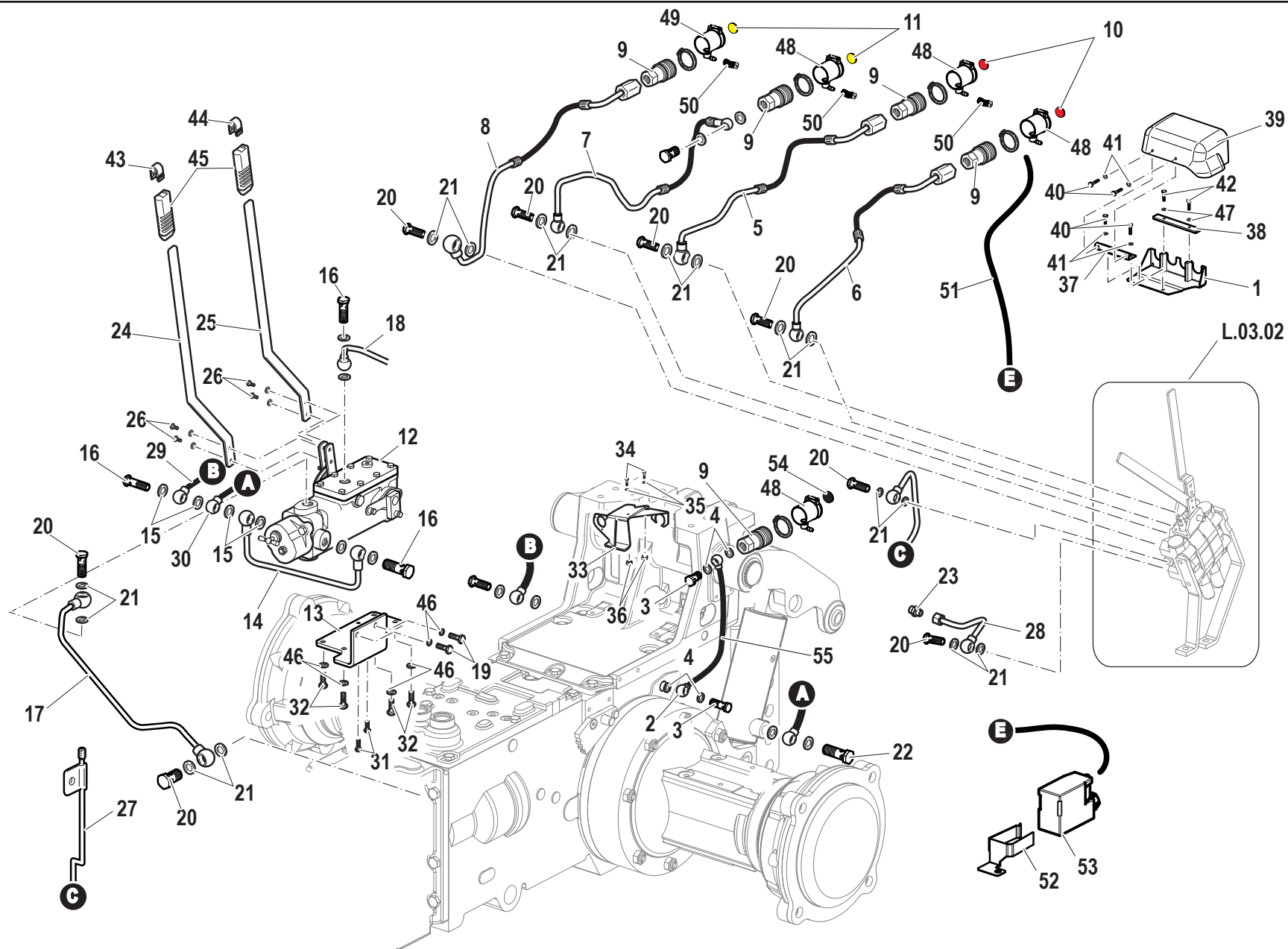
SERIAL

ALLESTIMENTO DISTRIBUTORI POSIZIONE E SFORZO CONTROLLATI

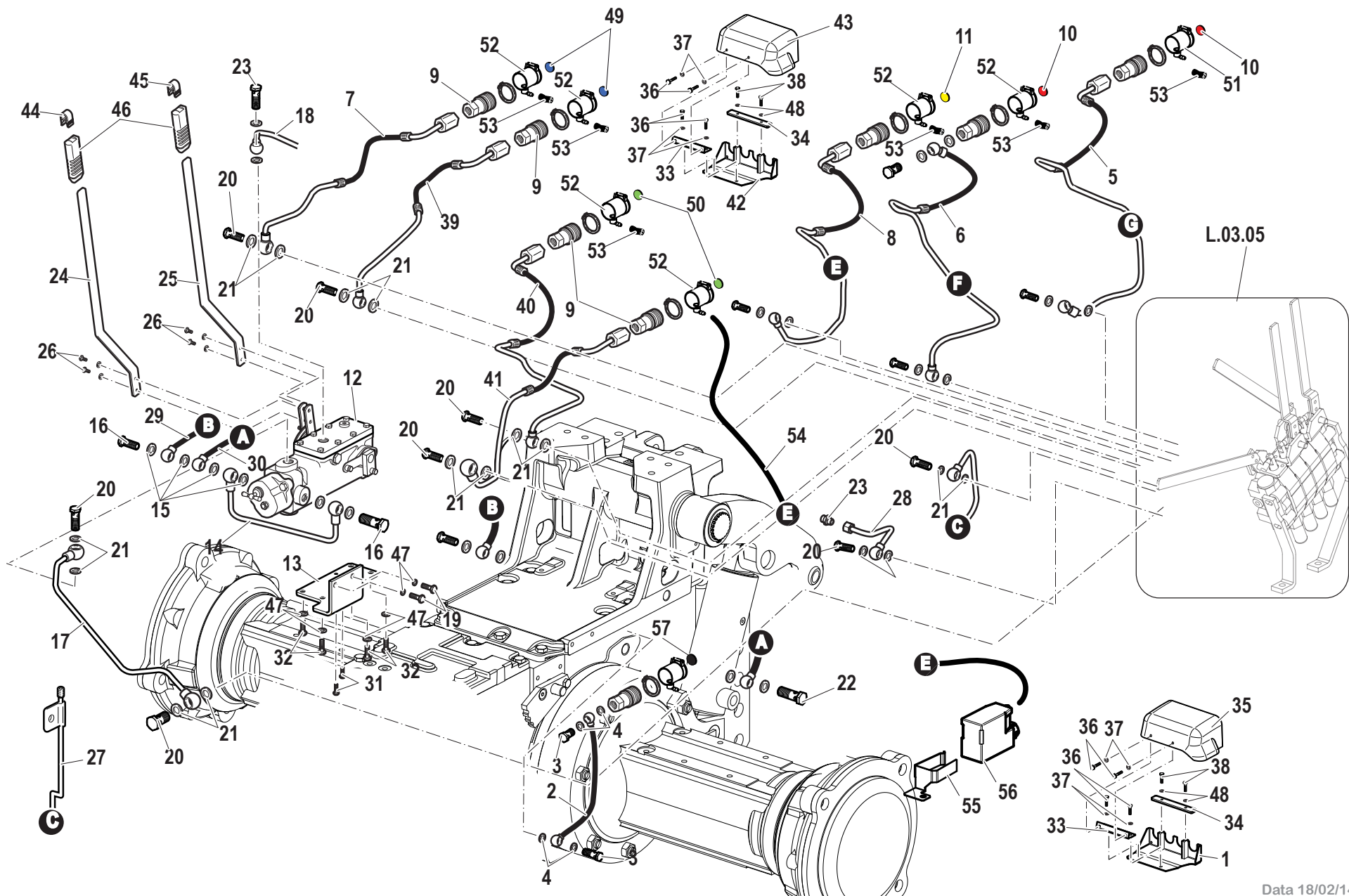
Hp 75

CODE REV

M.02.02.L60007_0



Pos.	Code	Q.ty	Description	Notes
35	F0843570000	2	WASHER 6	
36	31211060	2	HEXAGONAL NUT M8	
37	59076706	1	BRACKET	
38	56176705	1	FIXING BRACKET	
39	57376704	1	COVER	
40	F0862479034	4	SCREW M6X12 7380	
41	31411064	4	WASHER 6,4x12,5	
42	31112151	2	SCREW TE M8X25 UNI 5739 8G	
43	58175188	1	INSERT	
44	58175211	1	INSERT	
45	58175187	2	KNOB	
46	F0843643060	6	WASHER 8	
47	31411084	2	WASHER 8,4x17	
48	58176914	4	COVER	
49	58176913	1	COVER	
50	58077661	3	PIPE	
51	58070690	1	PIPE	
52	56177267	1	TANK SUPPORT	
53	F0852550500	1	TANK	
54	F0852550240	1	DECAL	
55	58079362	1	EXHAUST HOSE	



Pos.	Code	Q.ty	Description	Notes
1	59076701	1	LEFT BRACKET	
2	58079362	1	EXHAUST HOSE	
3	F0843116000	2	PIPE FITTING 1/2	
4	F0824141000	4	COPPER WASHER 21x27/1,5	
5	59076835	1	DISTRIBUTING PIPE	
6	59076836	1	DISTRIBUTING PIPE	
7	59076838	1	DISTRIBUTING PIPE	
8	59076837	1	DISTRIBUTING PIPE	
9	F0825980030	5	COUPLING	
10	F0852550200	1	DECAL	
11	F0852550210	2	DECAL	
12	58175191	1	DISTRIBUTOR	
13	56075161	1	FIXING BRACKET	
14	59079355	1	PRESSURE PIPE	
15	F0824113000	4	COPPER WASHER 18X24/1,5	
16	F0843110010	2	THREADED TERMINAL END M18x1,5	
17	59079349	1	DISTRIBUTING PIPE	
18	59078925	1	EXHAUST	
19	31112150	2	SCREW TE M8X20 UNI 5739 8G	
20	F0843109020	8	PIPE FITTING	
21	F0824110000	16	COPPER WASHER 3/8 GAS	
22	58170693	1	PIPE FITTING	
23	30000244	2	PIPE FITTING	
24	56076945	1	COMMAND LEVER	
25	56076944	1	COMMAND LEVER	
26	31111090	4	SCREW	
27	59077687	1	PRESSURE PIPE	
28	59079352	1	EXHAUST	
29	58079203	1	FLEXIBLE HOSE	
30	58079202	1	FLEXIBLE HOSE	
31	F0862481000	2	SCREW M8x16 UNI 5933	
32	31111151	4	SCREW TE M8X16 UNI 5739 8G	
33	59076706	2	BRACKET	
34	56176705	2	FIXING BRACKET	

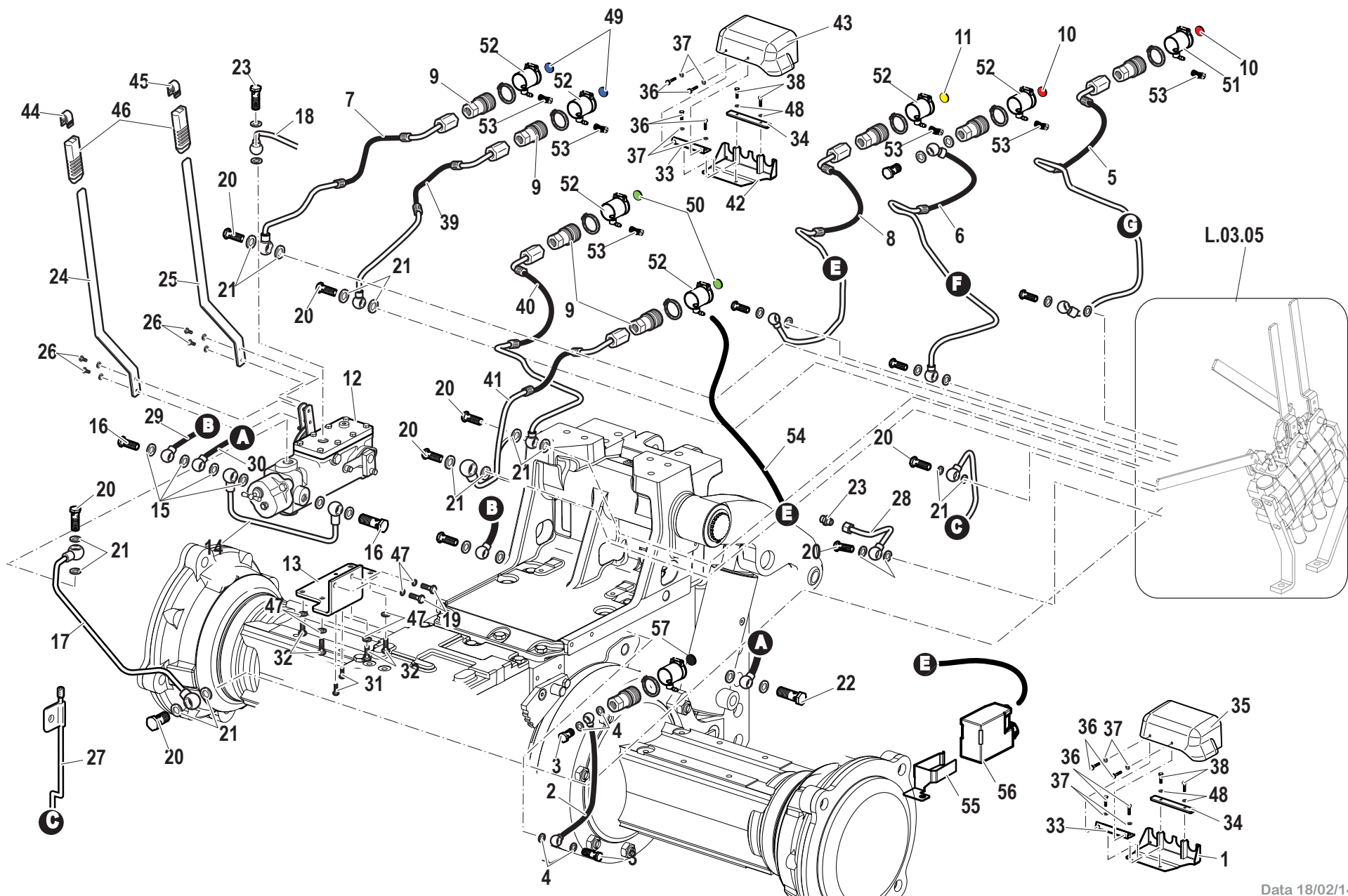
SERIAL

ALLESTIMENTO DISTRIBUTORI POSIZIONE E SFORZO CONTROLLATI

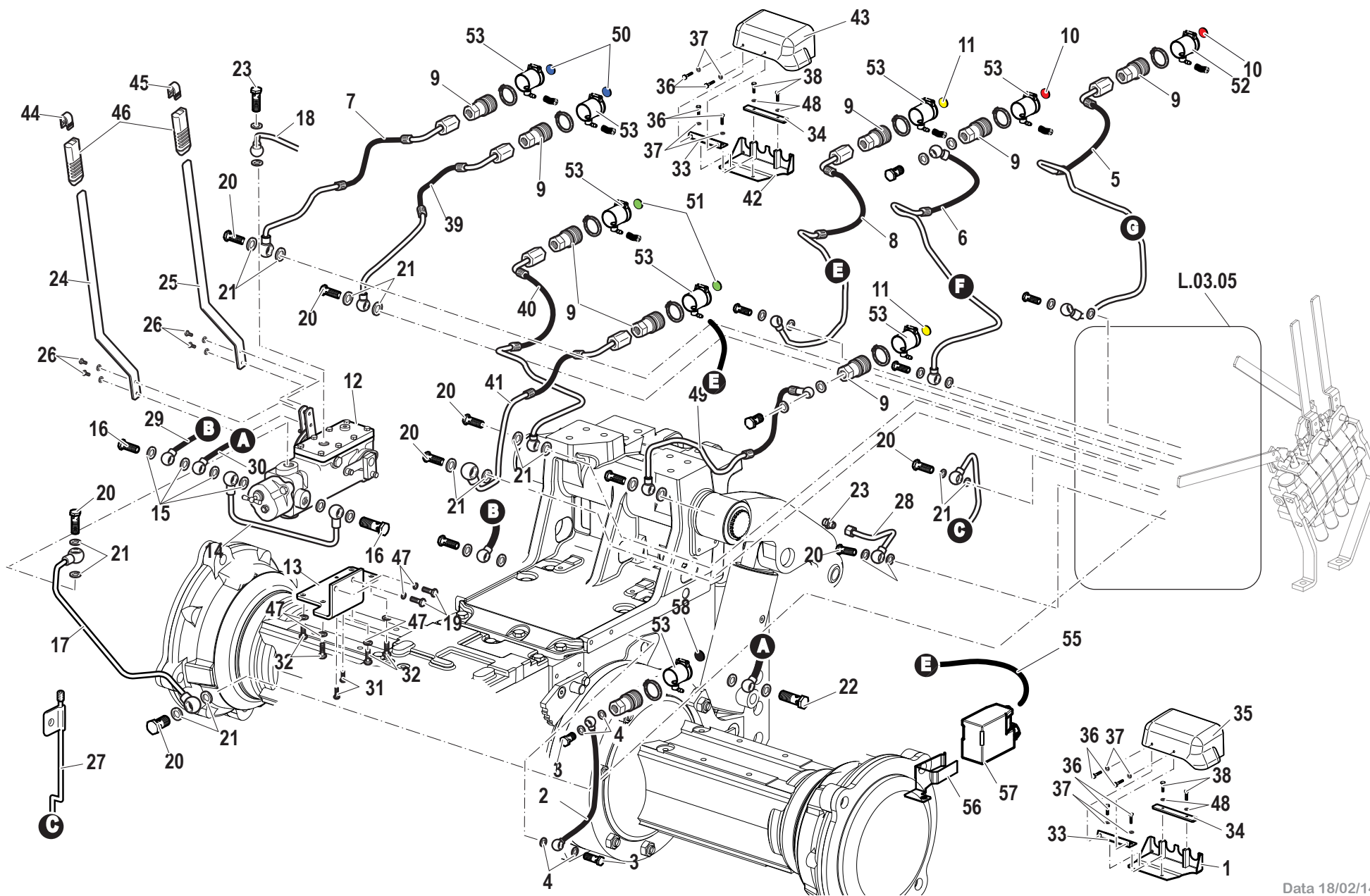
Hp 75

CODE REV

M.02.05.L60007_0



Pos.	Code	Q.ty	Description	Notes
35	57376704	1	COVER	
36	F0862479034	8	SCREW M6X12 7380	
37	31411064	8	WASHER 6,4x12,5	
38	31112151	4	SCREW TE M8X25 UNI 5739 8G	
39	59079346	1	DISTRIBUTING PIPE	
40	59076840	1	DISTRIBUTING PIPE	
41	59076841	1	DISTRIBUTING PIPE	
42	59076702	1	RIGHT YOKE	
43	57376703	1	COVER	
44	58175188	2	INSERT	
45	58175211	2	INSERT	
46	58175187	6	KNOB	
47	F0843643060	12	WASHER 8	
48	31411084	6	WASHER 8,4x17	
49	F0852550220	2	DECAL	
50	F0852550230	2	DECAL	
51	58176913	1	COVER	
52	58176914	7	COVER	
53	58077661	6	PIPE	
54	58070690	1	PIPE	
55	56177267	1	TANK SUPPORT	
56	F0852550500	1	TANK	
57	F0852550240	1	DECAL	



M.02.06.L60007_0

Pos.	Code	Q.ty	Description	Notes
1	59076701	1	LEFT BRACKET	
2	58079362	1	EXHAUST HOSE	
3	F0843116000	2	PIPE FITTING 1/2	
4	F0824141000	4	COPPER WASHER 21x27/1,5	
5	59076835	1	DISTRIBUTING PIPE	
6	59076836	1	DISTRIBUTING PIPE	
7	59076838	1	DISTRIBUTING PIPE	
8	59076837	1	DISTRIBUTING PIPE	
9	F0825980030	5	COUPLING	
10	F0852550200	2	DECAL	
11	F0852550210	2	DECAL	
12	58175191	1	DISTRIBUTOR	
13	56075161	1	FIXING BRACKET	
14	59079355	1	PRESSURE PIPE	
15	F0824113000	4	COPPER WASHER 18X24/1,5	
16	F0843110010	2	THREADED TERMINAL END M18x1,5	
17	59079350	1	DISTRIBUTING PIPE	
18	59078925	1	EXHAUST	
19	31112150	2	SCREW TE M8X20 UNI 5739 8G	
20	F0843109020	8	PIPE FITTING	
21	F0824110000	16	COPPER WASHER 3/8 GAS	
22	58170693	1	PIPE FITTING	
23	30000244	2	PIPE FITTING	
24	56076945	1	COMMAND LEVER	
25	56076944	1	COMMAND LEVER	
26	31111090	4	SCREW	
27	59077687	1	PRESSURE PIPE	
28	59079352	1	EXHAUST	
29	58079203	1	FLEXIBLE HOSE	
30	58079202	1	FLEXIBLE HOSE	
31	F0862481000	2	SCREW M8x16 UNI 5933	
32	31111151	4	SCREW TE M8X16 UNI 5739 8G	
33	59076706	2	BRACKET	
34	56176705	2	FIXING BRACKET	

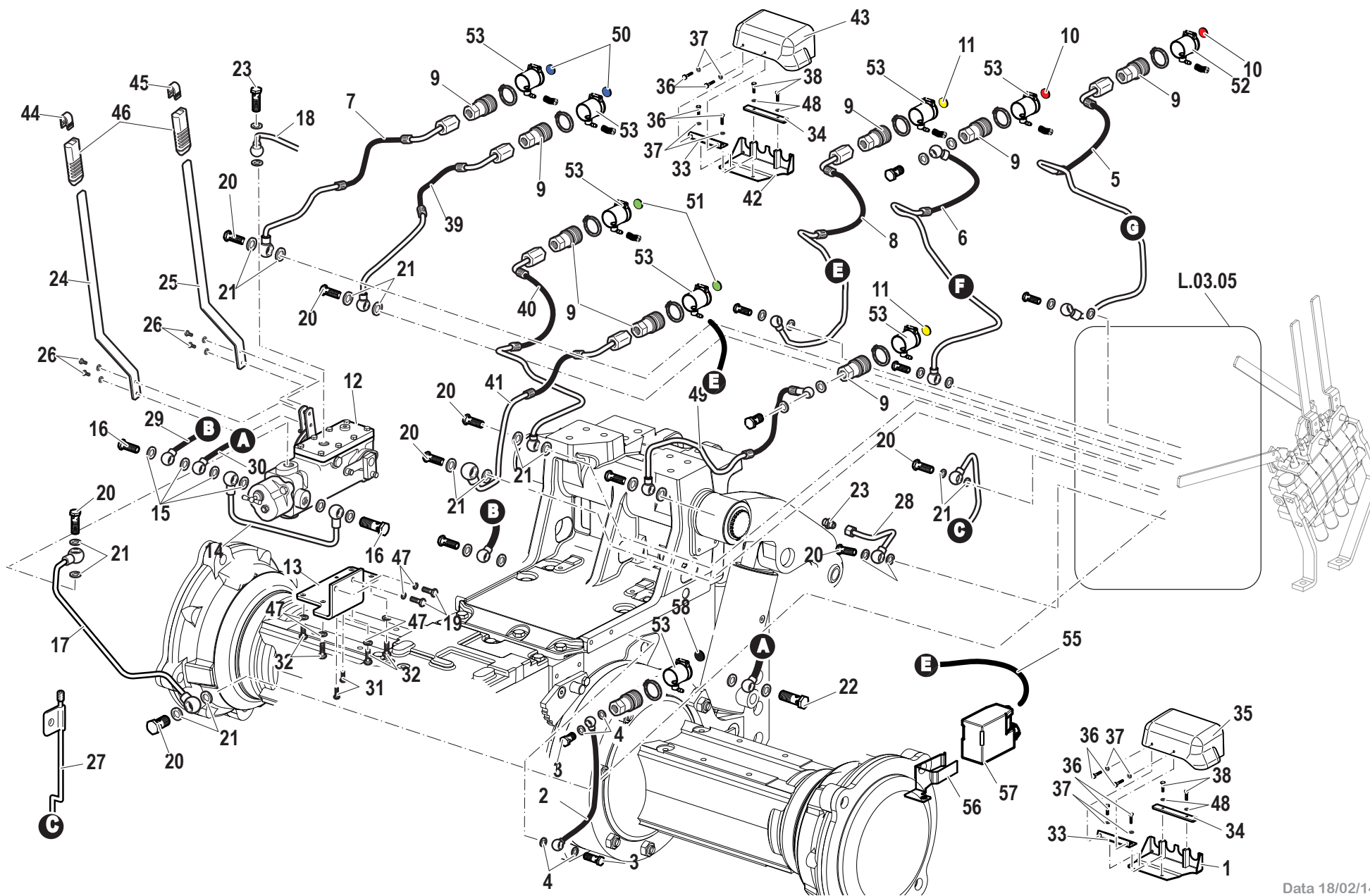
SERIAL

ALLESTIMENTO DISTRIBUTORI POSIZIONE E SFORZO CONTROLLATI

Hp 75

CODE REV

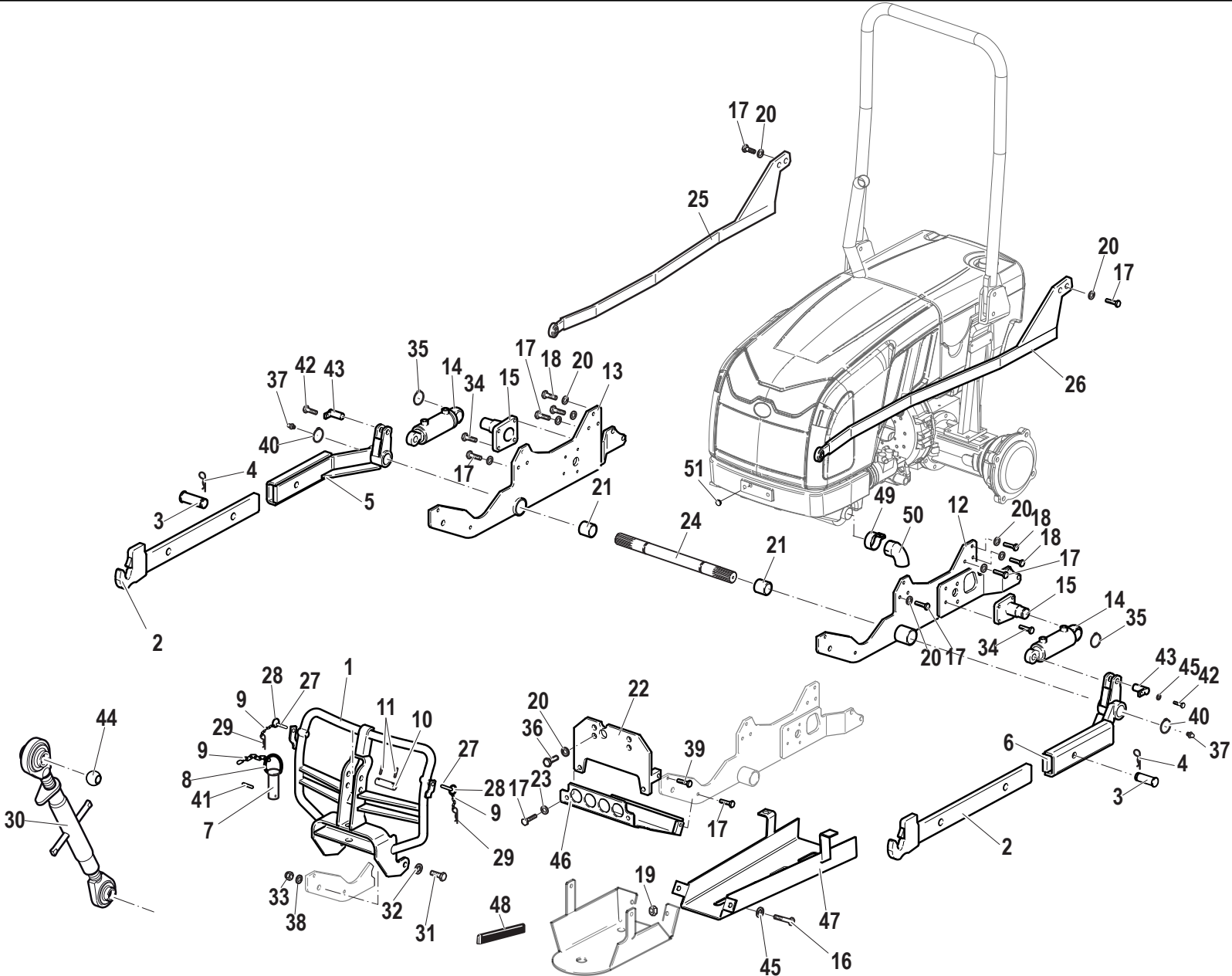
M.02.06.L60007_0



M.02.06.L60007_0

Pos.	Code	Q.ty	Description	Notes
35	57376704	1	COVER	
36	F0862479034	8	SCREW M6X12 7380	
37	31411064	8	WASHER 6,4x12,5	
38	31112151	4	SCREW TE M8X25 UNI 5739 8G	
39	59079346	1	DISTRIBUTING PIPE	
40	59076840	1	DISTRIBUTING PIPE	
41	59076841	1	DISTRIBUTING PIPE	
42	59076702	1	RIGHT YOKE	
43	57376703	1	COVER	
44	58175188	2	INSERT	
45	58175211	2	INSERT	
46	58175187	6	KNOB	
47	F0843643060	12	WASHER 8	
48	31411084	6	WASHER 8,4x17	
49	59079345	1	DISTRIBUTING PIPE	
50	F0852550220	2	DECAL	
51	F0852550230	2	DECAL	
52	58176913	1	COVER	
53	58176914	8	COVER	
54	58077661	7	PIPE	
55	58070690	1	PIPE	
56	56177267	1	TANK SUPPORT	
57	F0852550500	1	TANK	
58	F0852550240	1	DECAL	

SOLLEVATORE ANTERIORE



Pos.	Code	Q.ty	Description	Notes
1	59075115	1	FRONT FRAME	
2	59076071	2	ARM	
3	56375105	2	PIN	
4	F0851486000	2	SPLIT PIN	
5	59075102	1	LIFT LEVER	
6	59075095	1	LIFT LEVER	
7	P296116000001	1	PIN	
8	P453569000001	1	SPRING	
9	P827003000003	2	CHAIN	
10	P296122000000	1	PIN	
11	P000000005774	2	SPLIT PIN	
12	59077469	1	SIDE MEMBER	
13	59077470	1	SIDE MEMBER	
14	58175086	2	LIFTING CYLINDER	
15	59075088	2	HINGE PIN	
16	31112147	3	SCREW TE M8X18 UNI 5739 8G	
17	31112211	2	SCREW TE M10X30 UNI 5739	
18	31112212	4	SCREW TE M10X35 UNI 5739	
19	31211080	2	NUT M8	
20	F0843755000	6	WASHER 10	
21	58170291	2	BUSHING	
22	59075639	1	PLATE	
23	F0843921030	2	WASHER 14	
24	56375106	1	SHAFT	
25	59077476	1	ROD	
26	59077477	1	ROD	
27	P296267000000	2	PIN	
28	P985535000100	2	RING	
29	P439149000000	2	SPLIT PIN	
30	P296121000000	1	ARM	
31	P296115000000	2	PIN	
32	31411190	2	WASHER 19x34	
34	F0863311250	4	SCREW M10x1,5x32	
35	F0801297050	2	SEEGER RING	

SERIAL

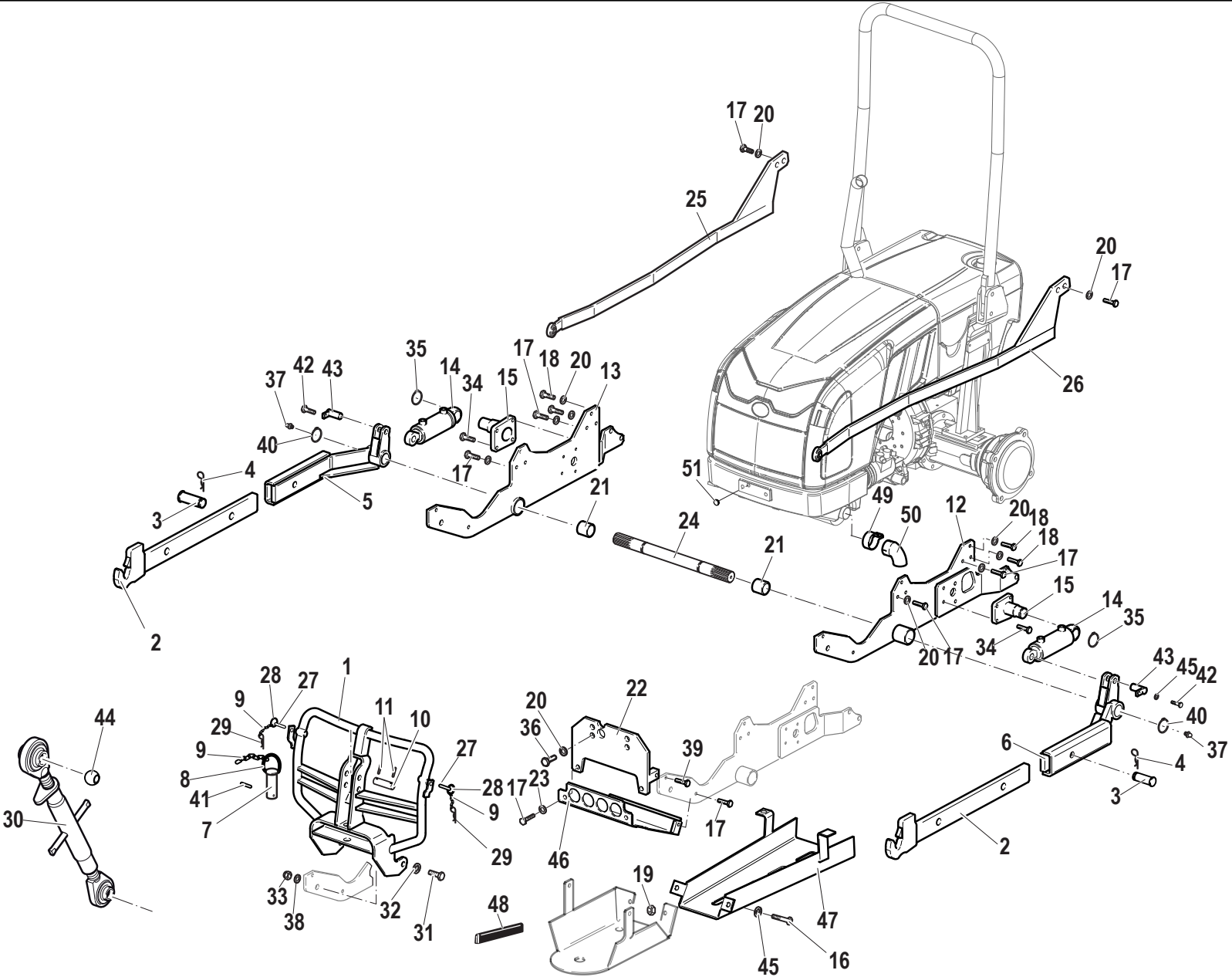
SOLLEVATORE ANTERIORE

Hp 75

CODE REV

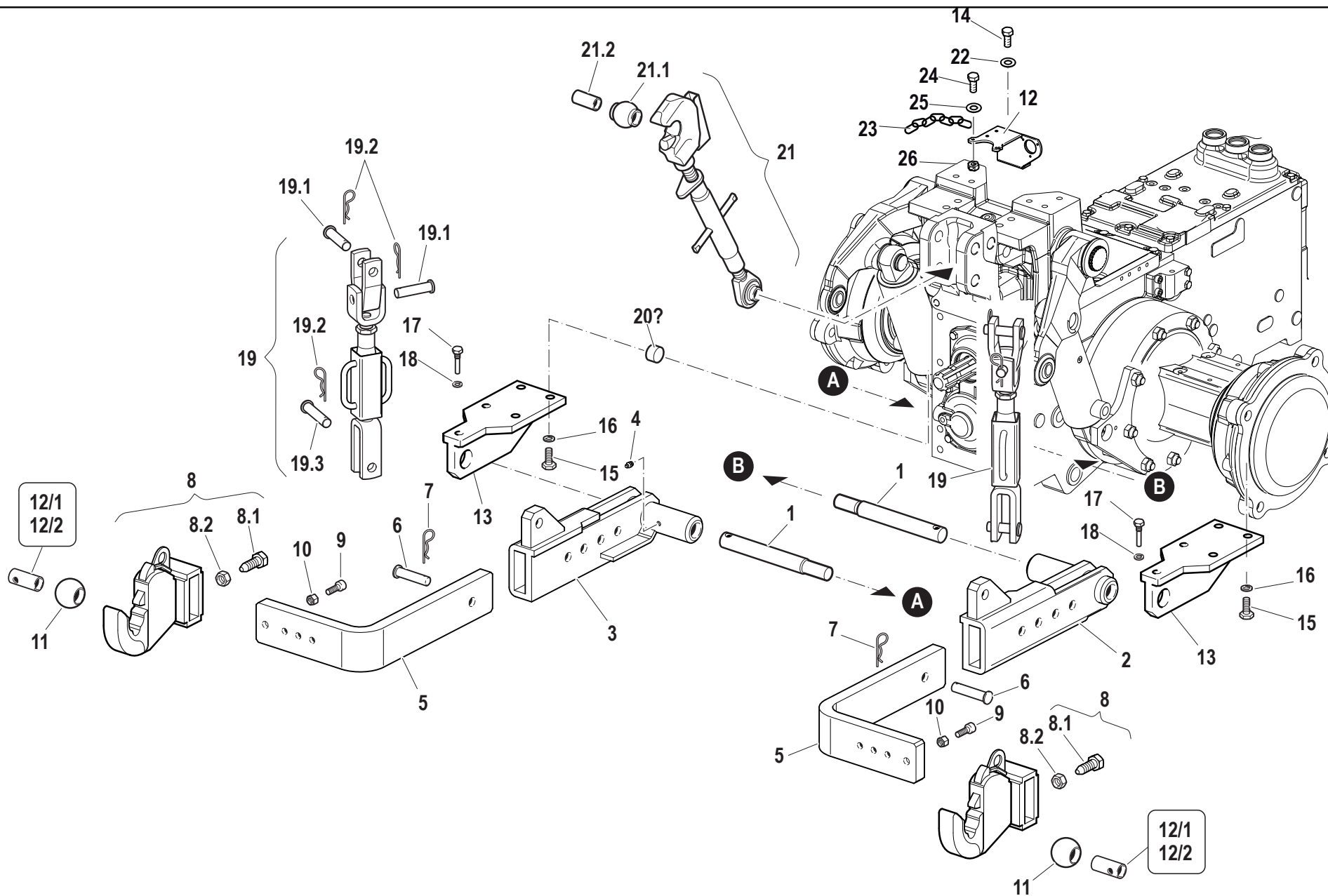
S.01.02.L60001_0

SOLLEVATORE ANTERIORE



S.01.02.L60001_0

Pos.	Code	Q.ty	Description	Notes
36	31112328	2	SCREW TE M14X35 UNI 5739	
37	F0826056000	2	LUBRICATOR M10 UNI 7663A	
39	31152103	2	SCREW TCEI M10X25 UNI 5931	
40	F0801331050	2	SEEGER RING	
41	F0852106000	1	PIN	
42	31112150	2	SCREW TE M8X20 UNI 5739 8G	
43	59075107	2	PIN	
44	58175783	2	JOINT	
45	F0843643060	2	WASHER 8	
46	59075636	1	SHIELD	
47	59078594	1	SHIELD	
48	F0256808000	0	FLAT BAND	
49	58175121	1	COLLAR	
50	59079653	1	ELBOW	
51	58175745	1	PLUG	



Pos.	Code	Q.ty	Description	Notes
1	56575035	2	PIN	
2	590A0741	1	HOLDER	
3	590A0743	1	HOLDER	
4	F0826056000	2	LUBRICATOR M10 UNI 7663A	
5	561A0573	2	ARM	
6	56375954	4	PIN	
7	F0851486000	4	SPLIT PIN	
8	59076100	2	DEVICE COUPLING	
9	F0863302000	2	SCREW M10X30 UNI 5931	
10	31211100	2	NUT M10	
11	58171000	2	JOINT	
12	59079360	1	SUPPORTING YOKE	
13	59076784	2	SUPPORT	
14	31112210	2	SCREW TE M10X20 UNI 5739	
15	31112272	4	SCREW TE M12X30 UNI 5739	
16	F0843843060	4	WASHER 12	
17	56075036	2	SCREW	
18	F0843755000	2	WASHER 10	
19	58077325	2	ROD	
20	56177671	2	SPACER	
21	58075987	1	3-POINT HITCH	
22	F0843755000	2	WASHER 10	
23	58076369	1	CHAIN	
24	31112093	1	SCREW TE M6X20	
25	31411066	1	WASHER 6,6x18	
26	31211060	1	HEXAGONAL NUT M8	
12,010000	58171021	2	REDUCING BUSH	
12,020000	58177978	2	BUSHING	
19,100000	58071755	2	PIN	
19,200000	F0851486000	4	SPLIT PIN	
19,299999	58070482	2	PIN	
21,100000	58173072	1	JOINT	
21,200000	56073059	1	REDUCING BUSH	
8,1000003	56275953	1	SCREW	

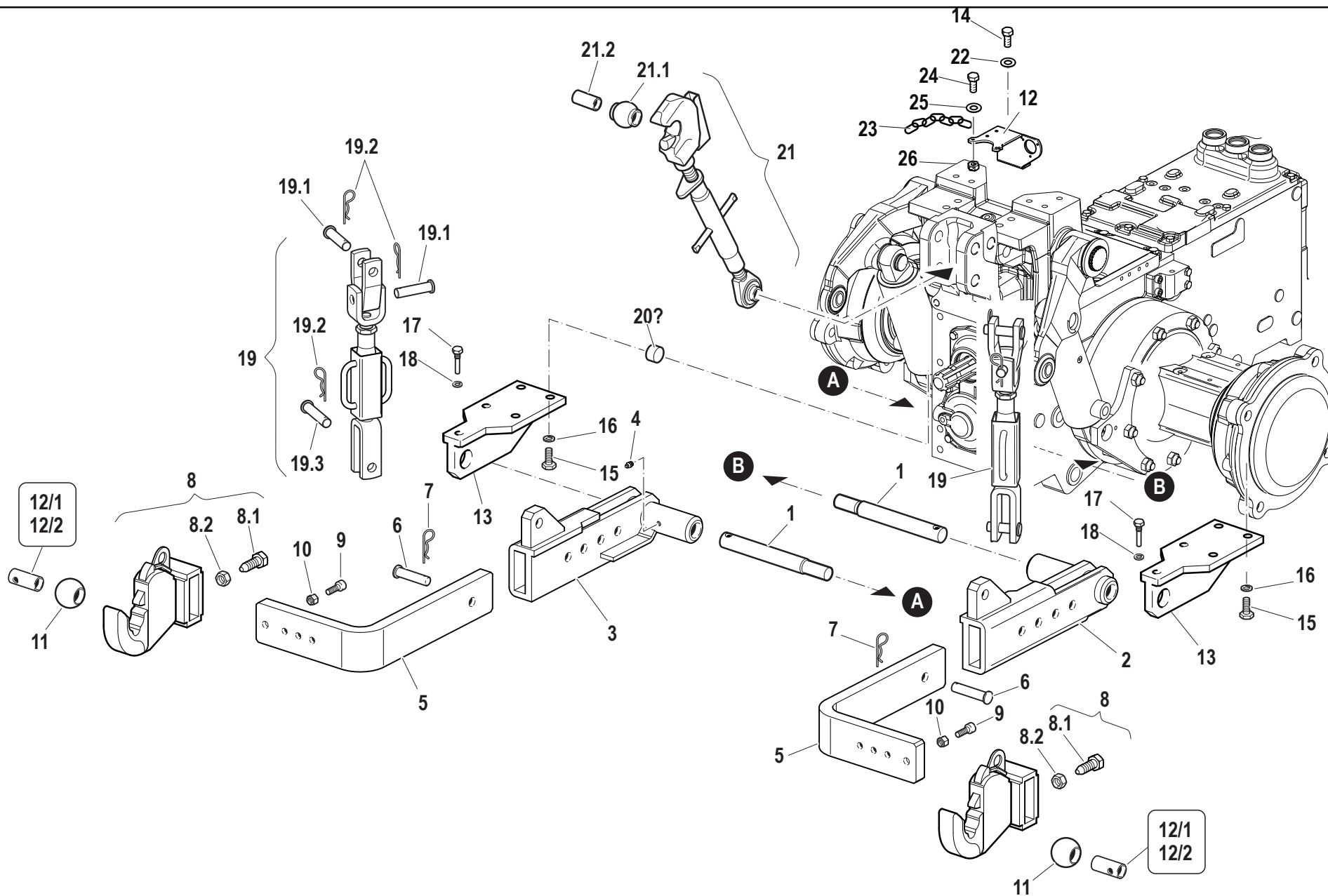
SERIAL

ATTACCO ATTREZZI - BRACCI REGISTRABILI CON AGGANCI RAPIDI

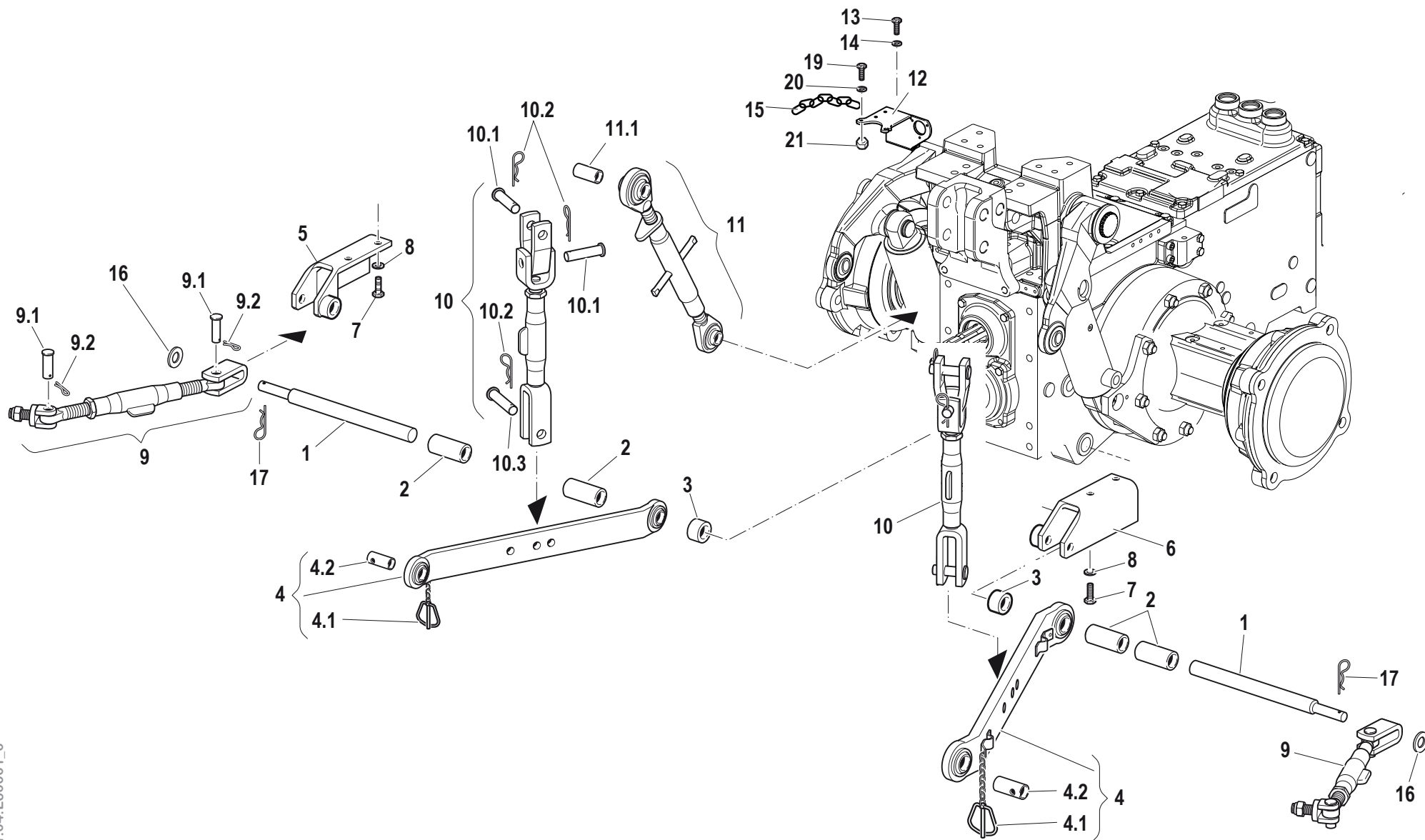
Hp 75

CODE REV

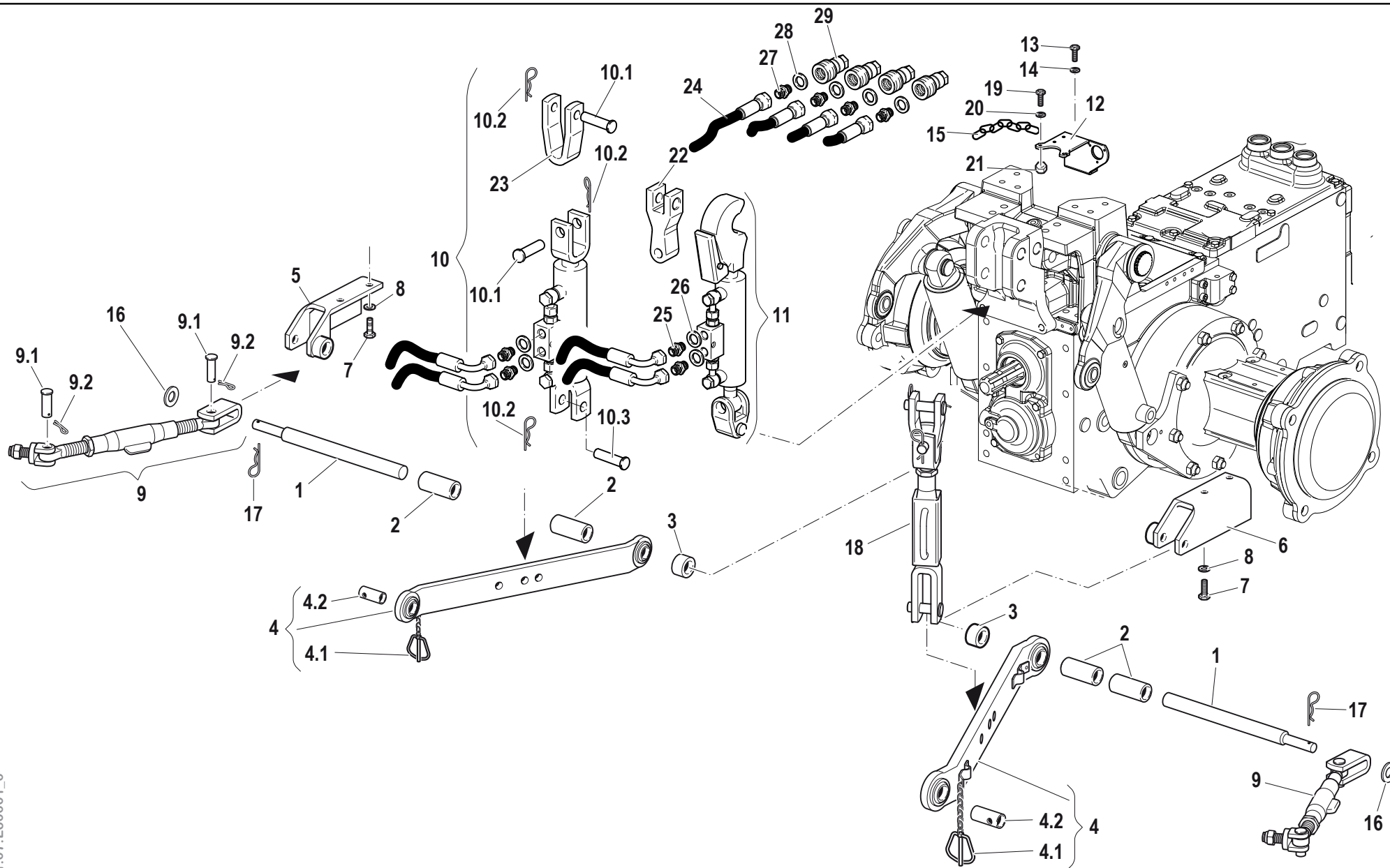
T.01.03.L60001_0



Pos.	Code	Q.ty	Description	Notes
8,1999998	31211200	1	NUT M20	



Pos.	Code	Q.ty	Description	Notes
1	56577772	2	PIN	
2	56077774	2	SPACER	
3	56170392	2	SPACER	
4	58071322	2	BOTTOM LINK	
5	59077272	1	SUPPORT	
6	59077273	1	SUPPORT	
7	31112272	4	SCREW TE M12X30 UNI 5739	
8	F0843755000	8	WASHER 10	
9	58076355	2	ROD	
10	58077205	2	ROD	
11	58075983	1	3-POINT HITCH	
12	59079360	1	SUPPORTING YOKE	
13	31112210	2	SCREW TE M10X20 UNI 5739	
14	F0843755000	2	WASHER 10	
15	58076369	1	CHAIN	
16	31411170	2	WASHER 17x30	
17	34130010	2	SPLIT PIN	
19	31112093	1	SCREW TE M6X20	
20	31411066	1	WASHER 6,6x18	
21	31211060	1	HEXAGONAL NUT M8	
10,100000	58071755	2	PIN	
10,199999	F0851486000	3	SPLIT PIN	
10,300000	58070482	1	PIN	
11,100000	56073059	1	REDUCING BUSH	
4,0999999	F0852107050	1	PISTON PIN	
4,1999998	58171021	1	REDUCING BUSH	
9,1000003	58070480	2	PIN	
9,1999998	34110029	2	SPLIT PIN	



Pos.	Code	Q.ty	Description	Notes
1	56577772	2	PIN	
2	56077774	2	SPACER	
3	56170392	2	SPACER	
4	58071322	2	BOTTOM LINK	
5	59077272	1	SUPPORT	
6	59077273	1	SUPPORT	
7	31112272	4	SCREW TE M12X30 UNI 5739	
8	F0843755000	8	WASHER 10	
9	58076355	2	ROD	
10	58176351	1	HYDRAULIC CYLINDER	
11	58176350	1	HYDRAULIC CYLINDER	
12	59079360	1	SUPPORTING YOKE	
13	31112210	2	SCREW TE M10X20 UNI 5739	
14	F0843755000	2	WASHER 10	
15	58076369	1	CHAIN	
16	31411170	2	WASHER 17x30	
17	34130010	2	SPLIT PIN	
18	58077202	1	ROD	
19	31112093	1	SCREW TE M6X20	
20	31411066	1	WASHER 6,6x18	
21	31211060	1	HEXAGONAL NUT M8	
22	58076349	1	TIP	
23	58075843	1	FORK	
24	580A0528	4	TUBO FLESS.PRESA ANT.55-65CV	
25	F0835023000	4	NIPPLE	
26	F0824110000	4	COPPER WASHER 3/8 GAS	
27	F0835040000	4	NIPPLE	
28	F0824141000	4	COPPER WASHER 21x27/1,5	
29	F0825980032	4	COUPLING	
10,100000	58071755	2	PIN	
10,199999	F0851486000	3	SPLIT PIN	
10,300000	58070482	1	PIN	
4,0999999	F0852107050	1	PISTON PIN	
4,1999998	58171021	1	REDUCING BUSH	

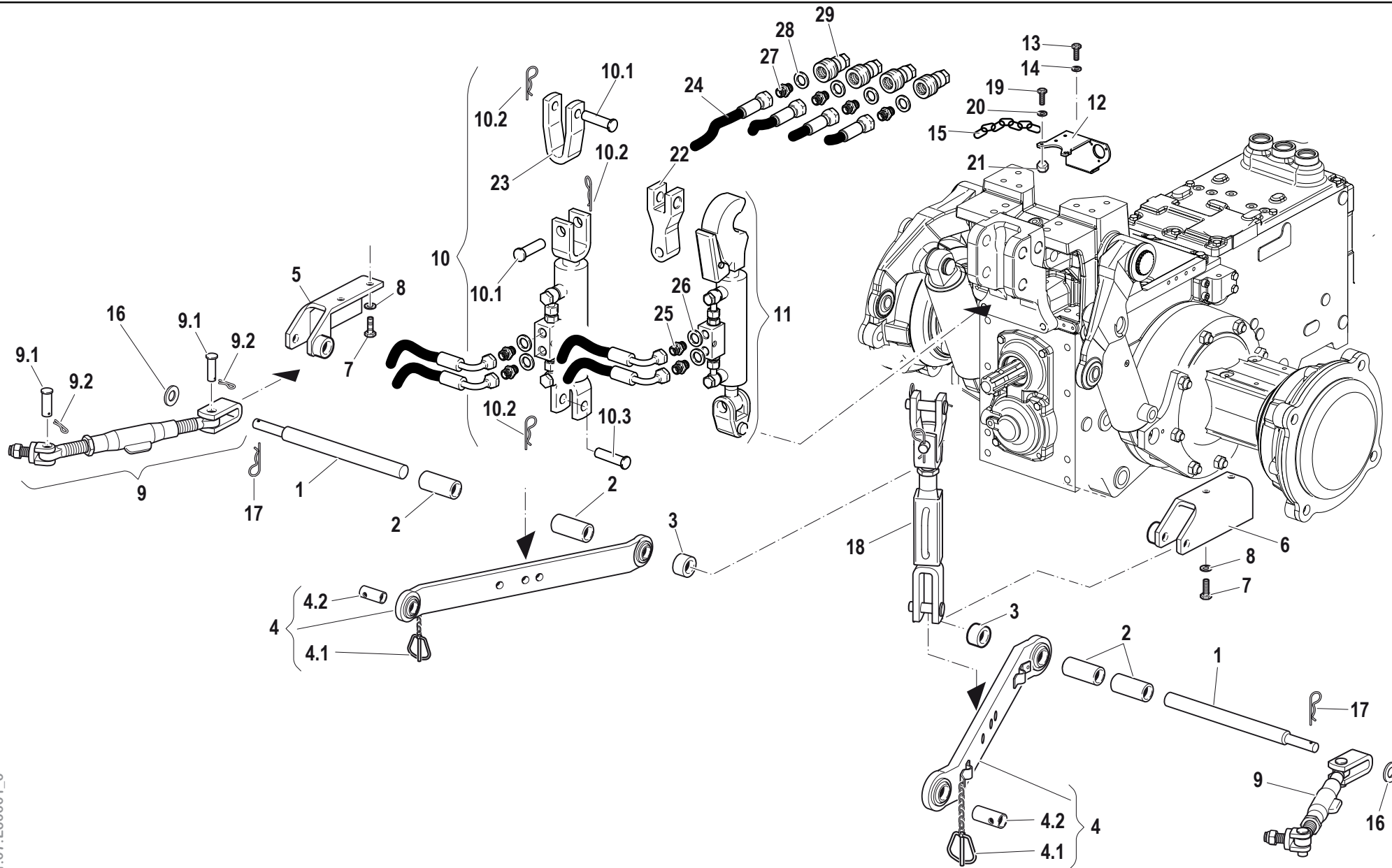
SERIAL

ATTACCO ATTREZZI BASE - VAR 3° PUNTO E TIRANTE IDRAULICO

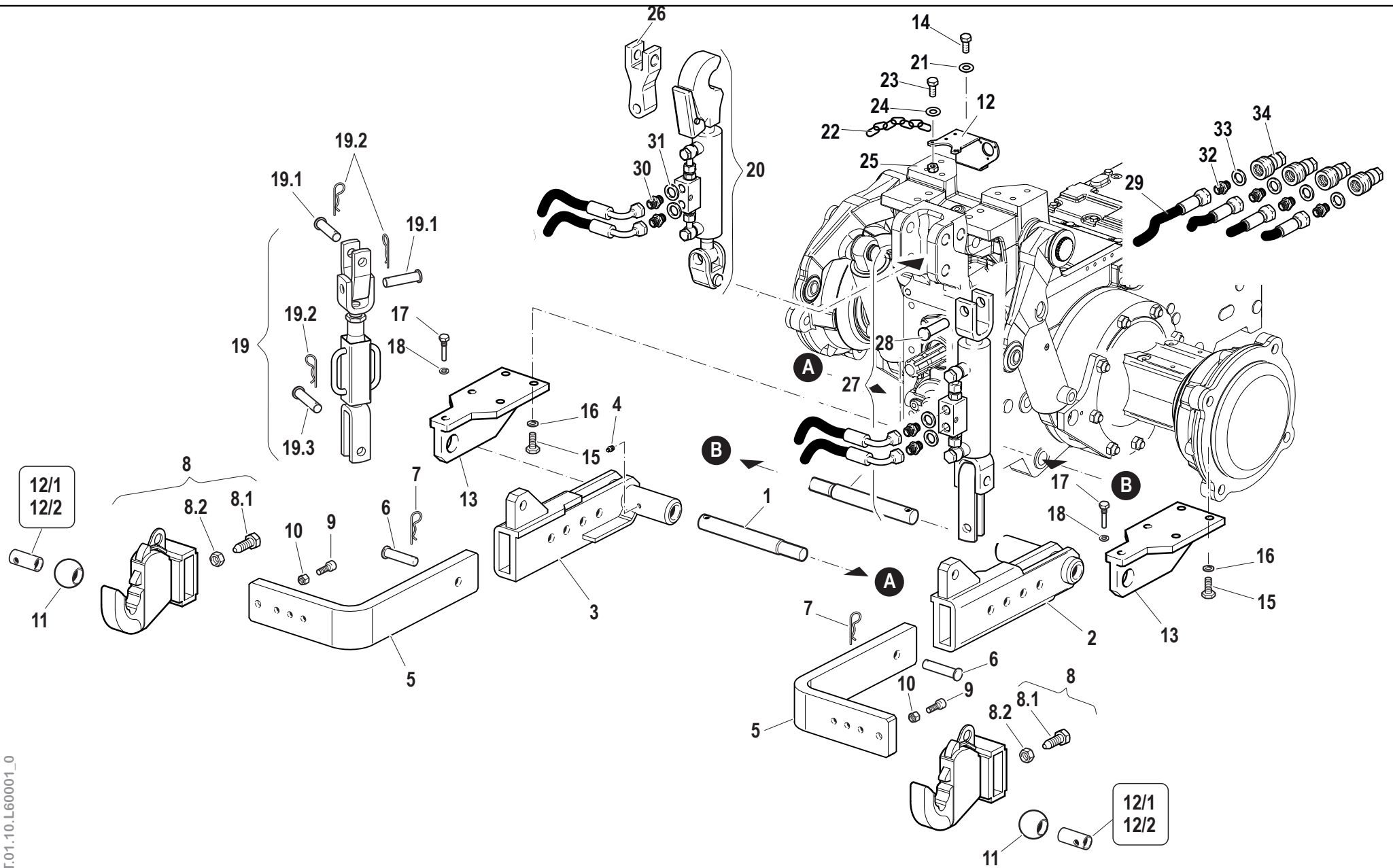
Hp 75

CODE REV

T.01.07.L60001_0



Pos.	Code	Q.ty	Description	Notes
9,1000003	58070480	2	PIN	
9,1999998	34110029	2	SPLIT PIN	



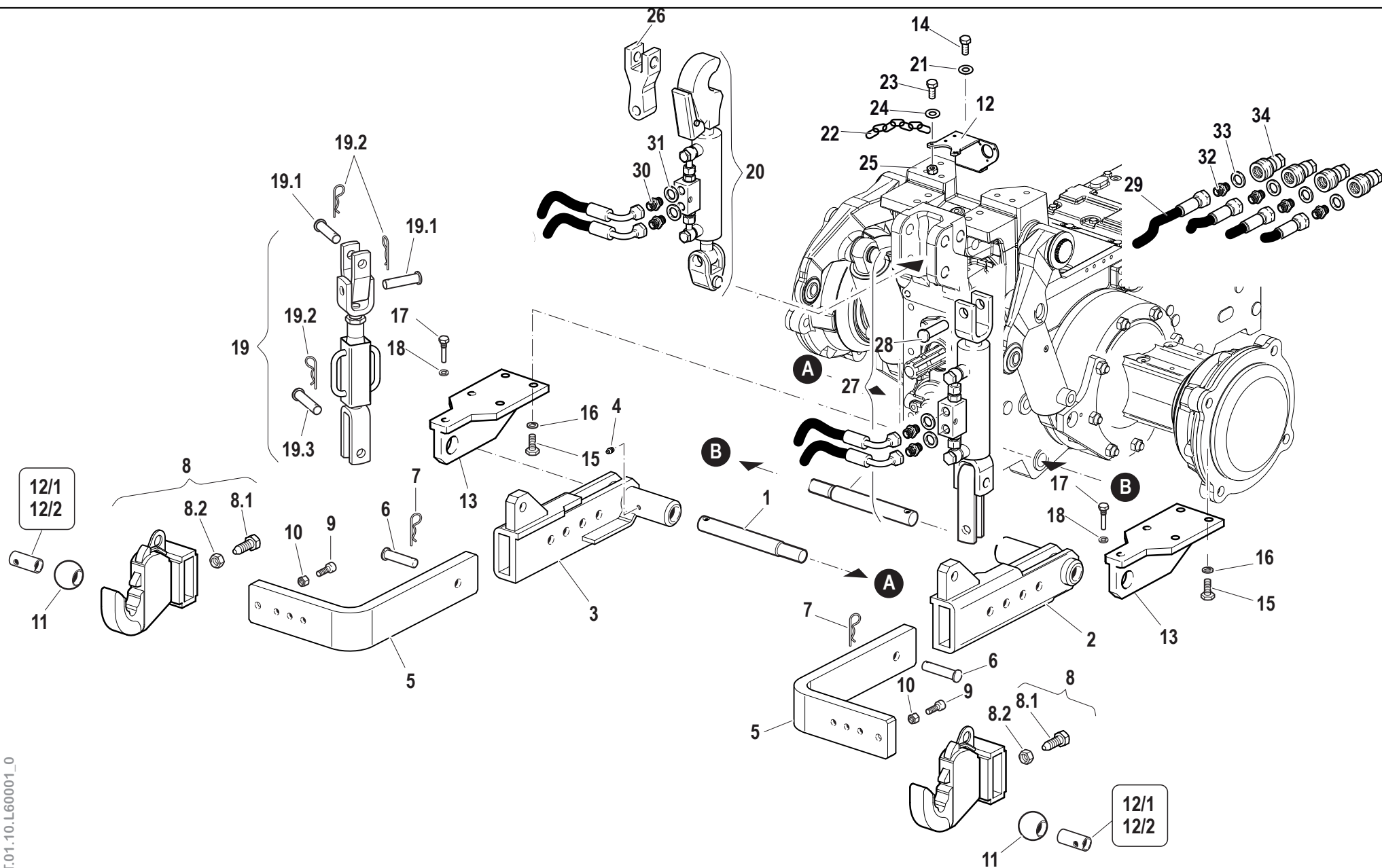
Pos.	Code	Q.ty	Description	Notes
1	56575035	2	PIN	
2	590A0741	1	HOLDER	
3	590A0743	1	HOLDER	
4	F0826056000	2	LUBRICATOR M10 UNI 7663A	
5	561A0573	2	ARM	
6	56375954	4	PIN	
7	F0851486000	4	SPLIT PIN	
8	59076100	2	DEVICE COUPLING	
9	F0863302000	2	SCREW M10X30 UNI 5931	
10	31211100	2	NUT M10	
11	58171000	2	JOINT	
12	59079360	1	SUPPORTING YOKE	
13	59076784	2	SUPPORT	
14	31112210	2	SCREW TE M10X20 UNI 5739	
15	31112272	4	SCREW TE M12X30 UNI 5739	
16	F0843843060	4	WASHER 12	
17	56075036	2	SCREW	
18	F0843755000	2	WASHER 10	
19	58077325	2	ROD	
20	58176350	1	HYDRAULIC CYLINDER	
21	F0843755000	2	WASHER 10	
22	58076369	1	CHAIN	
23	31112093	1	SCREW TE M6X20	
24	31411066	1	WASHER 6,6x18	
25	31211060	1	HEXAGONAL NUT M8	
26	58076349	1	TIP	
27	58176351	1	HYDRAULIC CYLINDER	
28	58071755	1	PIN	
29	580A0528	4	TUBO FLESS.PRESA ANT.55-65CV	
30	F0835023000	4	NIPPLE	
31	F0824110000	4	COPPER WASHER 3/8 GAS	
32	F0835040000	4	NIPPLE	
33	F0824141000	4	COPPER WASHER 21x27/1,5	
34	F0825980032	4	COUPLING	

SERIAL

**ATTACCO ATTREZZI - BRACCI REGISTRABILI CON AGGANCI RAPIDI - VAR 3° PUNTO
E TIRANTE IDRAULICO**
Hp 75

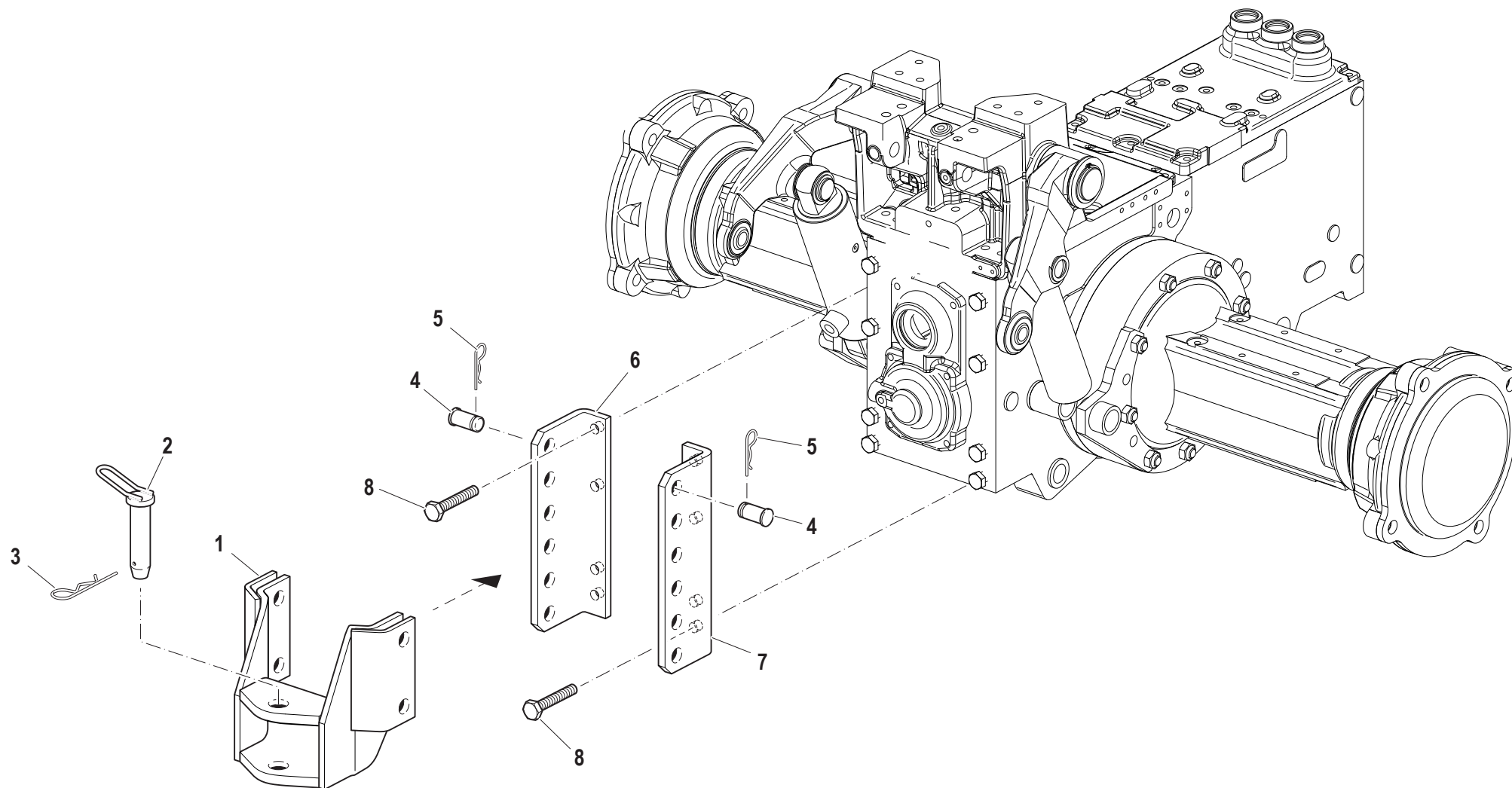
CODE REV

T.01.10.L60001_0

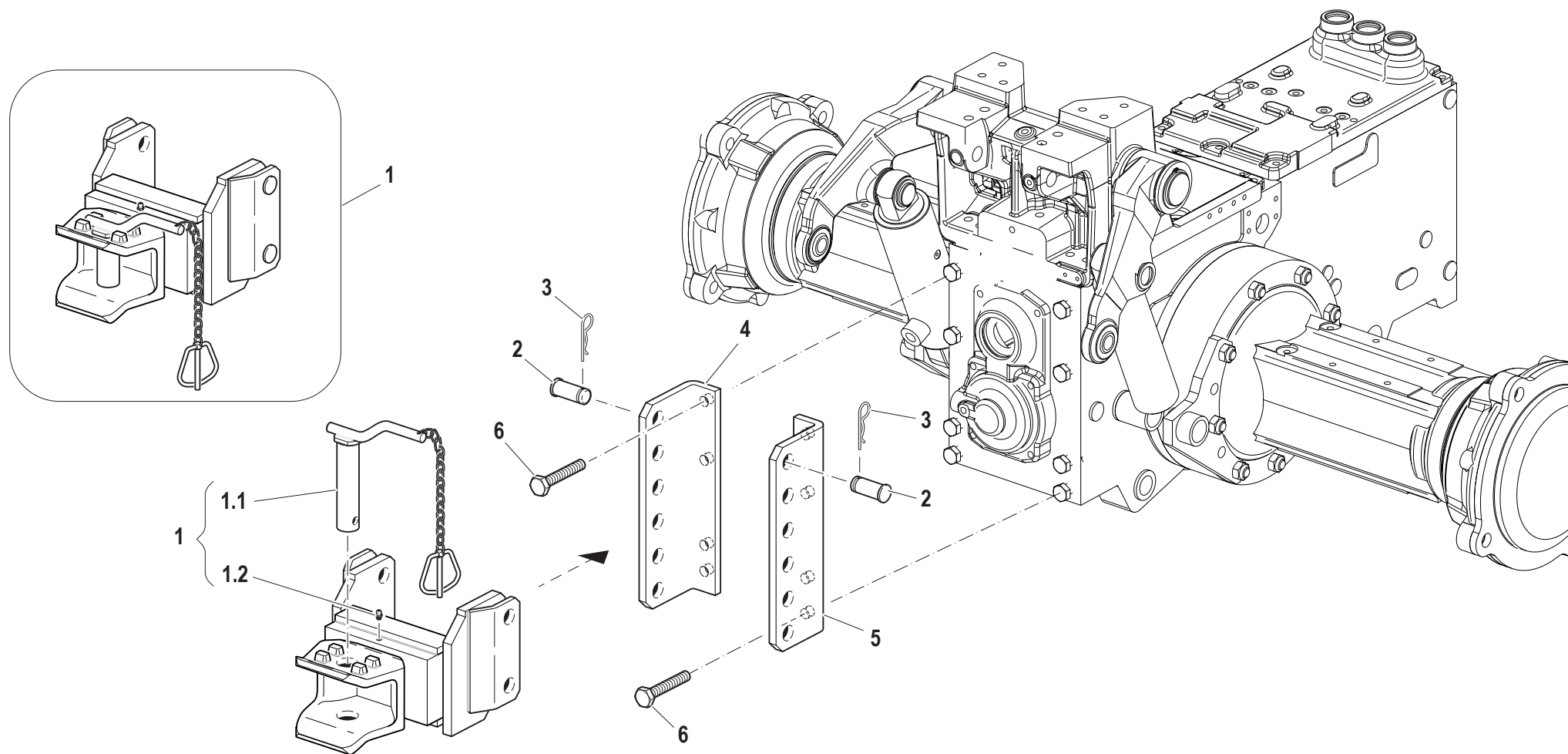


Pos.	Code	Q.ty	Description	Notes
12,010000	58171021	2	REDUCING BUSH	
12,020000	58177978	2	BUSHING	
19,100000	58071755	2	PIN	
19,200000	F0851486000	4	SPLIT PIN	
19,299999	58070482	2	PIN	
8,1000003	56275953	1	SCREW	
8,1999998	31211200	1	NUT M20	

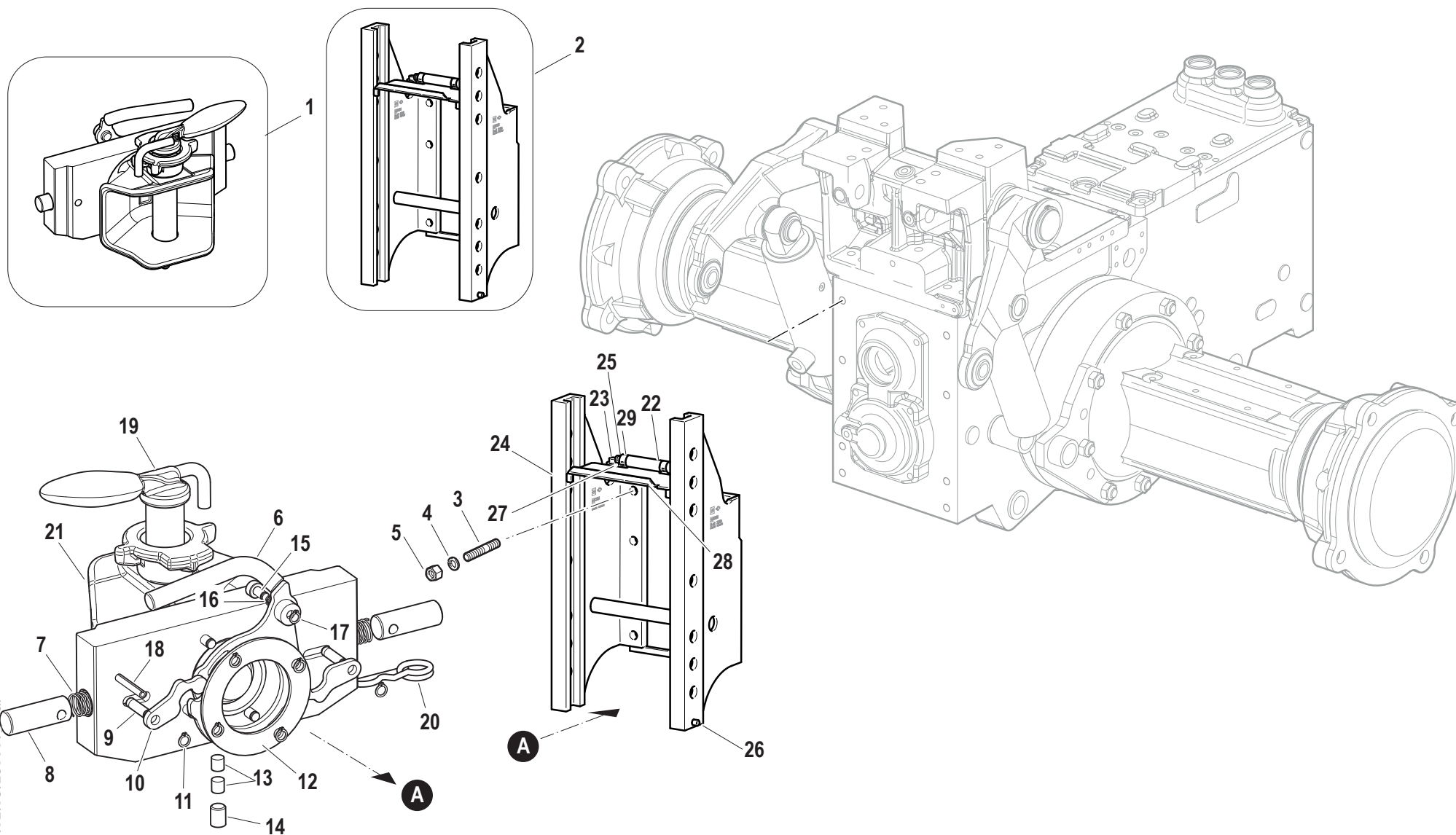
GANCIO DI TRAINO - VERSIONE BASE



Pos.	Code	Q.ty	Description	Notes
1	59070702	1	TOW HOOK	
2	F0808060100	1	LATCH D.28X117	
3	F0851497000	1	SPLIT PIN	
4	56370696	4	PIN	
5	F0851486000	4	SPLIT PIN	
6	56170704	1	SUPPORT	
7	56170705	1	SUPPORT	
8	F0864180000	8	SCREW M14X30 UNI 5740	



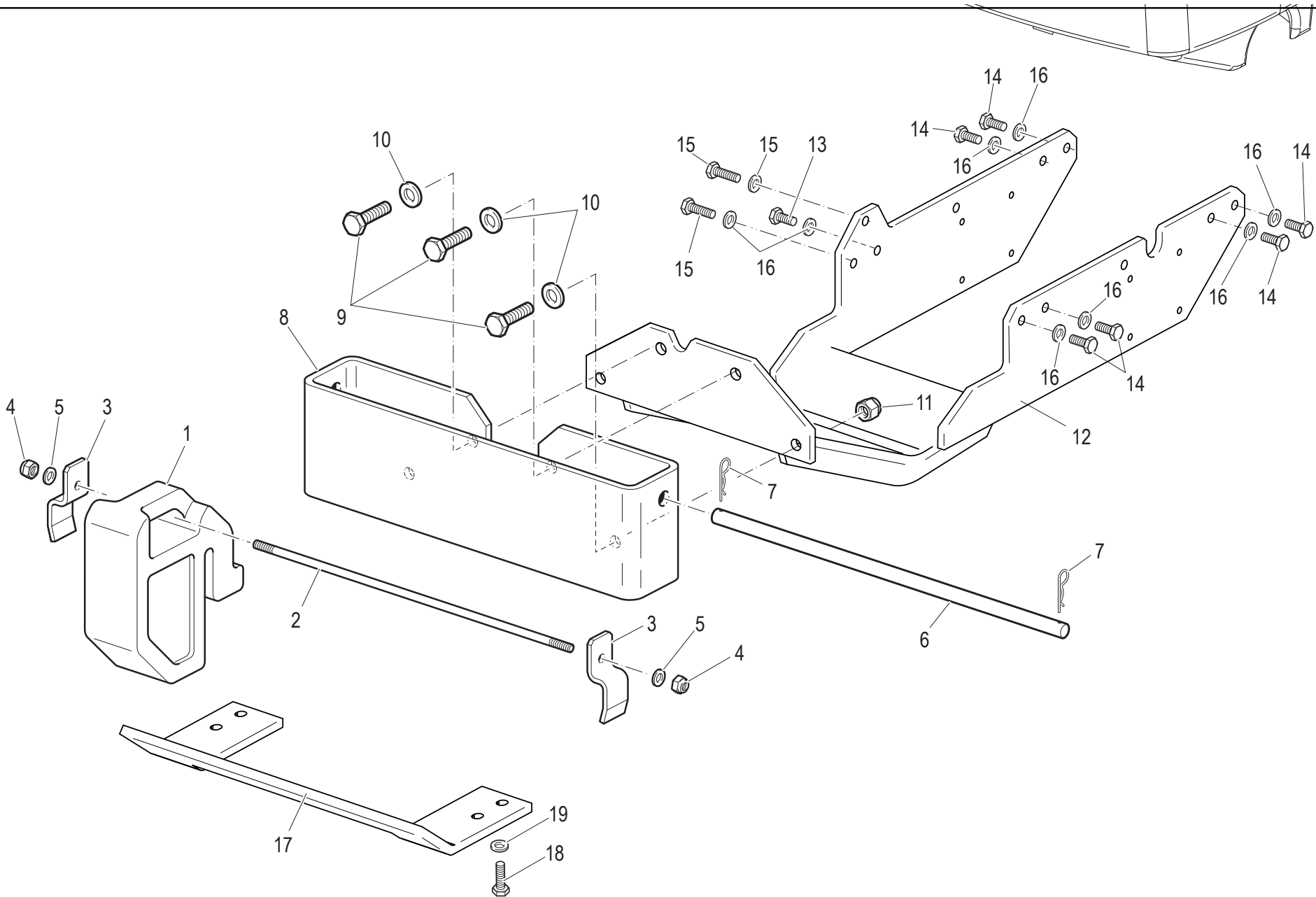
Pos.	Code	Q.ty	Description	Notes
1	59375009	1	TOW HOOK	
2	56375008	4	PIN	
3	F0851486000	4	SPLIT PIN	
4	56170704	1	SUPPORT	
5	56170705	1	SUPPORT	
6	F0864180000	8	SCREW M14X30 UNI 5740	
1.1	59075012	1	PIN	
1.2	F0826056000	1	LUBRICATOR M10 UNI 7663A	



T.02.03.L60007_0.ai

Pos.	Code	Q.ty	Description	Notes
1	59377734	1	CLEVIS	
2	59377730	1	CHASSIS FRAME	
3	F0864222010	8	SCREW M14X1,5/40 5738	
4	31152103	2	SCREW TCEI M10X25 UNI 5931	
5	58177736	1	LEVA SBLO.COMP.(81.0121.01.03)	
6	58177737	2	SPRING	
7	58177738	2	PIN	
8	58177739	6	PIN	
9	58177740	2	CONNECTING ROD	
10	F0801028000	6	RING	
11	58177741	1	DISC	
12	58177742	2	PAD	
13	F0863672010	1	SCREW	
14	58177743	1	PIN	
15	58177744	1	SPRING	
16	F0801022000	1	SEEGER RING	
17	34211064	1	ROLL PIN	
18	58177745	1	PIN	
19	58177746	1	SPLIT PIN	
2.1	58177732	1	GUARD	

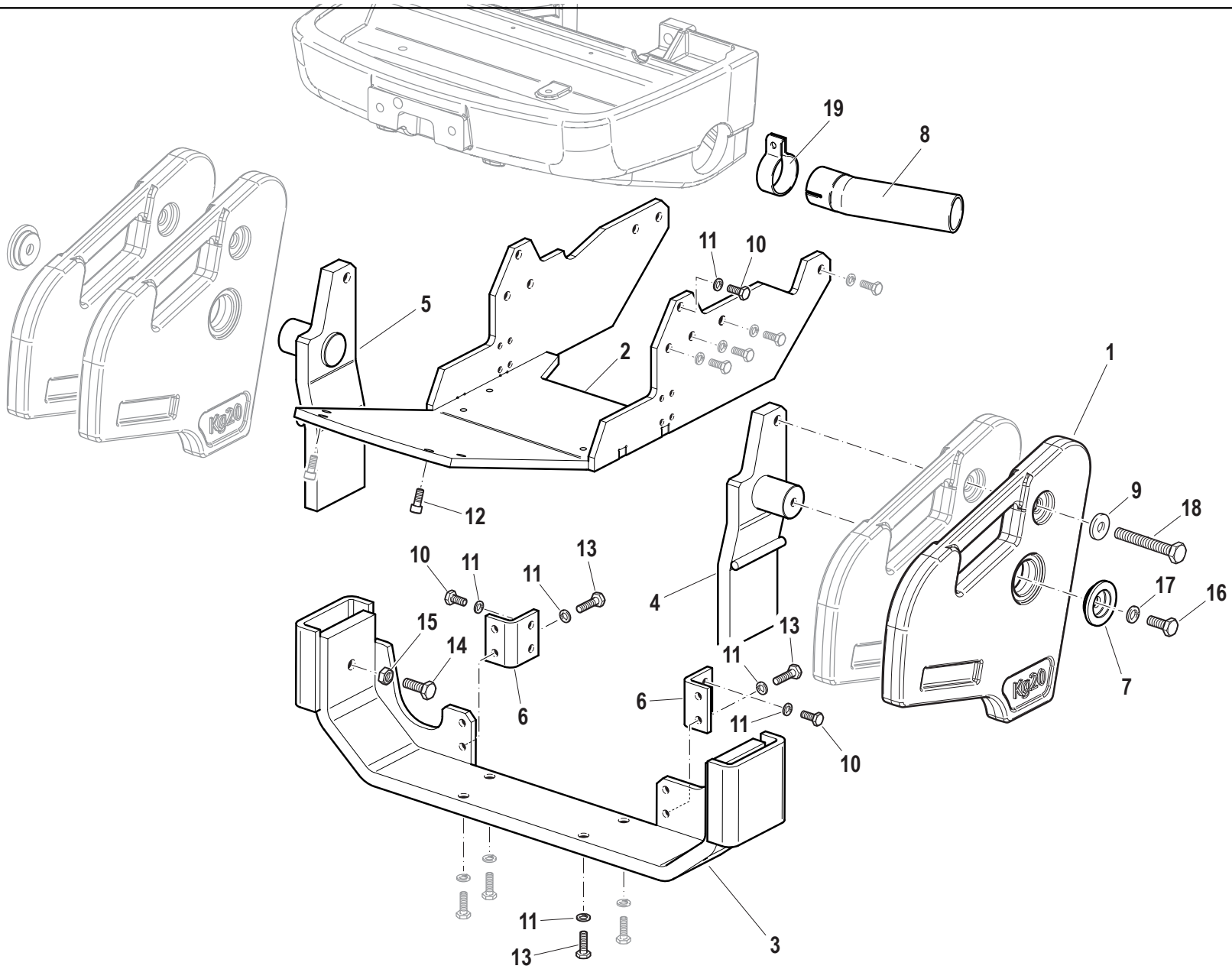
ZAVORRE ANTERIORI



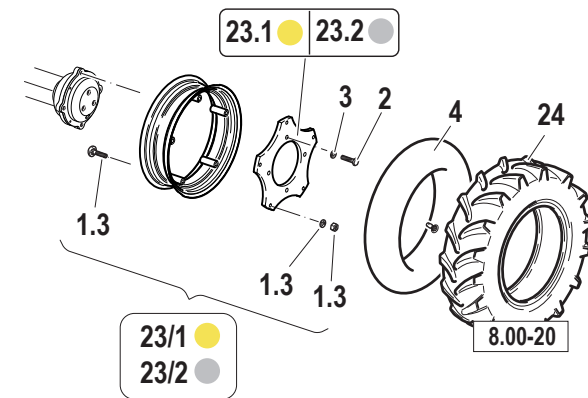
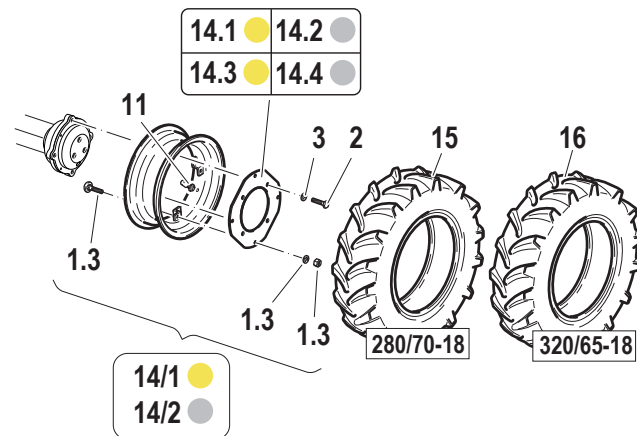
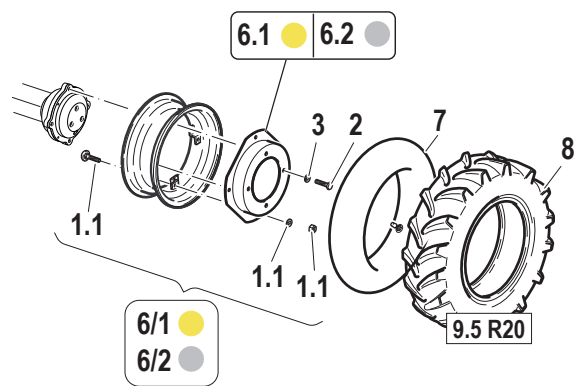
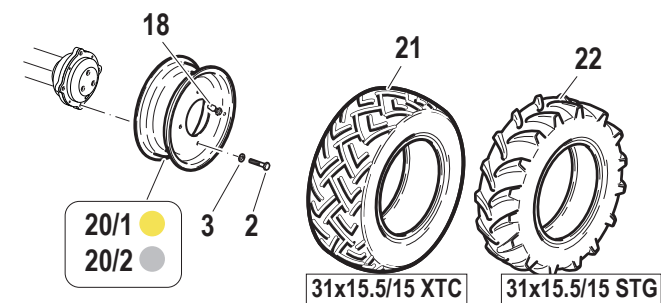
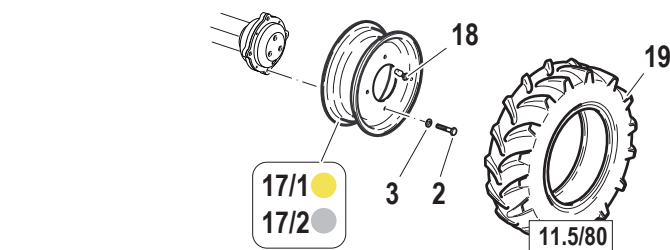
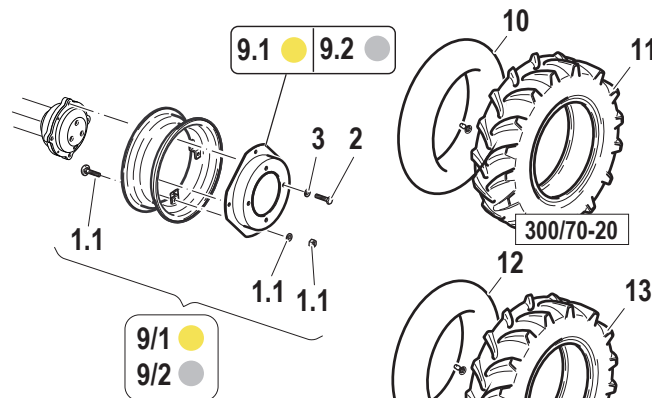
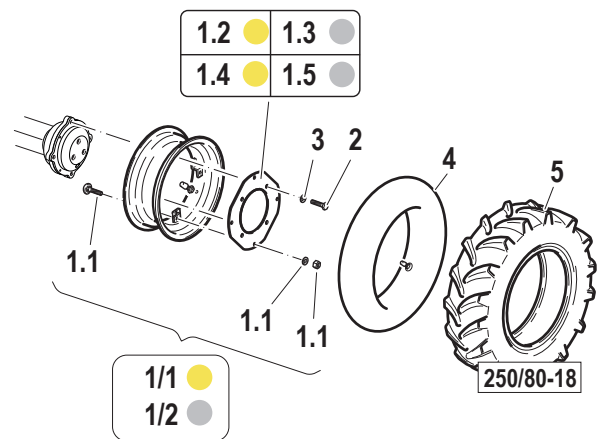
T.04.01.L60007_0

Pos.	Code	Q.ty	Description	Notes
1	F0150051050	6	FRONT BALLAST	
2	56075238	1	ROD	
3	F0150051145	2	SQUARE	
4	31241100	2	SELFLOCK HEXAGON NUT M10	
5	31411105	2	WASHER 10,5x21	
6	56075237	1	ROD	
7	F0851486000	2	SPLIT PIN	
8	59077160	1	BALLAST CARRIER	
9	F0864245000	4	SCREW M14X45 UNI 5737	
10	F0843921030	4	WASHER 14	
11	F0814756000	2	NUT M14	
12	59077180	1	BRACE	
13	56173110	1	SPACER	
14	31112219	5	SCREW TE M10X25 UNI 5739	
15	31112212	3	SCREW TE M10X35 UNI 5739	
16	F0843755000	8	WASHER 10	
17	56077161	1	BRACKET	
18	31112272	4	SCREW TE M12X30 UNI 5739	
19	31411130	4	WASHER 13x24	

ZAVORRE ANTERIORI



Pos.	Code	Q.ty	Description	Notes
1	51179309	4	FRONT BALLAST	
2	59079312	1	GUARD	
3	59079273	1	BALLAST CARRIER	
4	59079306	1	BRACKET	
5	59079283	1	BRACKET	
6	56179310	2	FIXING BRACKET	
7	56179308	2	WASHER	
8	561A0939	1	TUBO SCAR.75-95-ZAV.ANT.VERN	
9	31411170	2	WASHER 17x30	
10	31112219	14	SCREW TE M10X25 UNI 5739	
11	F0843755000	22	WASHER 10	
12	31152103	2	SCREW TCEI M10X25 UNI 5931	
13	31112212	8	SCREW TE M10X35 UNI 5739	
14	31112328	2	SCREW TE M14X35 UNI 5739	
15	31211140	2	NUT M14	
16	31111330	2	SCREW TE M14X30 UNI 5739 8G	
17	F0843921030	2	WASHER 14	
18	31112446	2	SCREW TE M16X120UNI5737	
19	58175121	1	COLLAR	
20	56173110	1	SPACER	



Pos.	Code	Q.ty	Description	Notes
2	F0864410500	16	SCREW M18X1,5/45 U/5740	
3	F0844150000	16	WASHER D.30x18,5/5	
4	F0848855000	4	INNER TUBE	
5	F0848655000	4	TYRE	
7	F0848920000	1	INNER TUBE	
8	F0848664000	1	TYRE 9.5-R20	
10	F0848920000	4	INNER TUBE	
11	F0848676100	4	TYRE	
12	F0848940000	4	INNER TUBE	
13	F0848679500	4	TYRE 320/70R20	
15	F0848655100	1	TYRE 280/70R18	
16	F0848679600	1	TYRE	
18	F0150010905	4	VALVE	
19	F0848672100	4	TYRE	
21	F0848681600	1	TYRE 31X15.5-15 8PR	
22	F0848681605	1	TYRE 31X15.5-15	
24	39118528		TYRE 8.00X20/8	010/05
1,5	58175966	4	RIM	127/08
1,0099999	592A0344	4	RIM	
1,0199999	592A0345	4	RIM	
1,1000000	59900361		KIT	
1,3999999	58175630	4	RIM	127/08
14,010000	592A0344	1	RIM	
14,020000	592A0345	1	RIM	
14,100000	58175630	1	RIM	127/08
14,199999	58175966	1	RIM	127/08
17,010000	581A0920	4	RIM	175/09
17,020000	581A0921	4	RIM	175/09
20,010000	58178571	1	RIM	
20,020000	58178572		RIM	
23,010000	59277415	4	RIM	010/05
23,020000	59277414	4	RIM	010/05
23,100000	56177416	4	DISCO CERCHIO 5,50X20 RAL 1003	
23,200000	56177417	4	DISCO CERCHIO 5,50X20 RAL 9006	

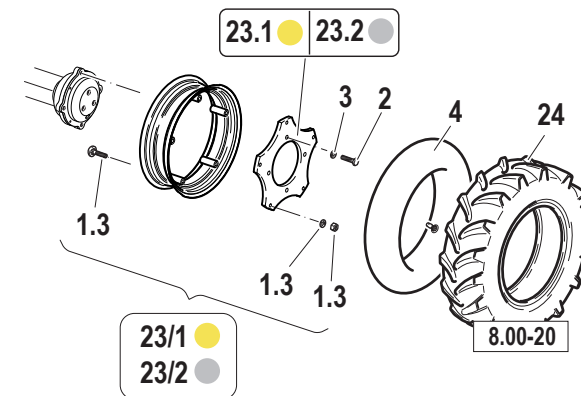
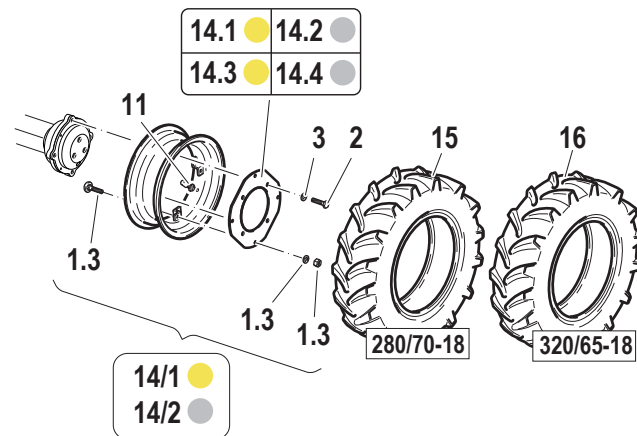
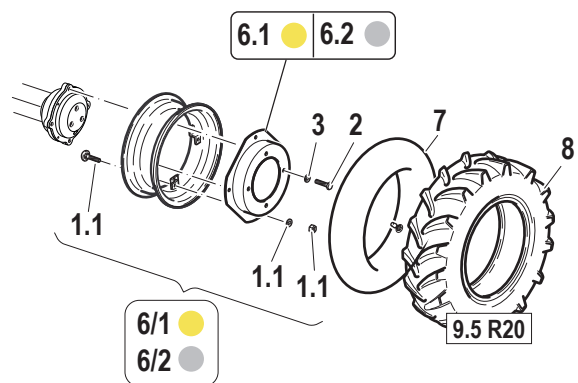
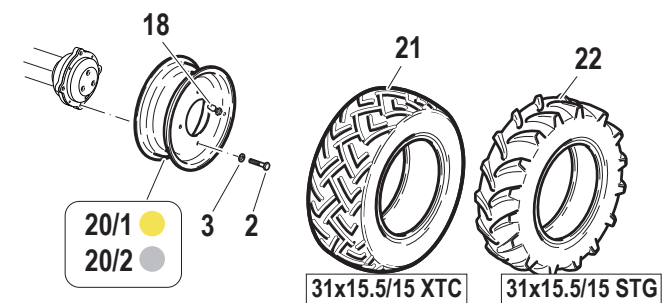
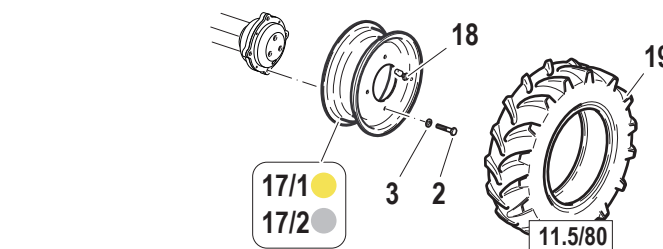
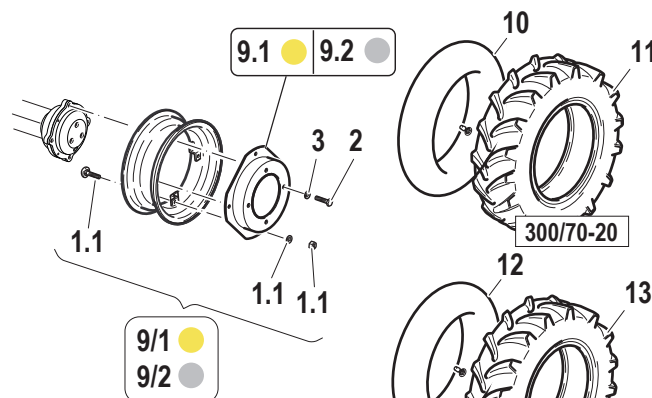
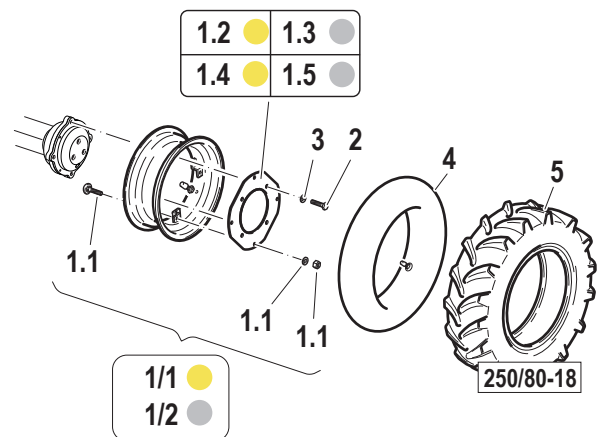
SERIAL

RUOTE E PNEUMATICI

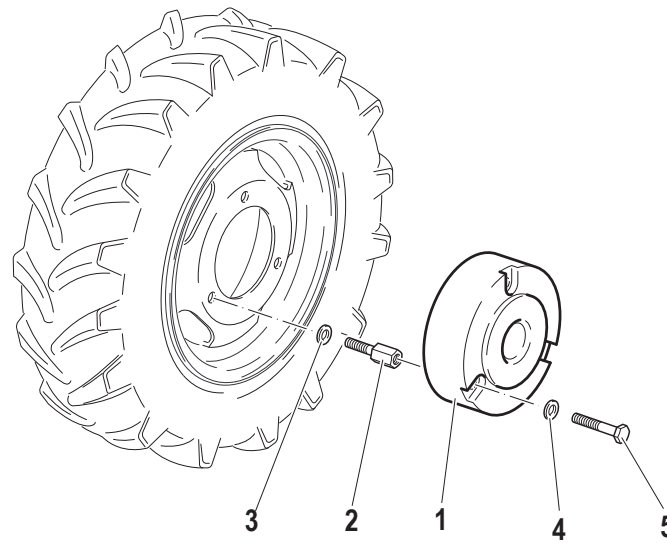
Hp 75

CODE REV

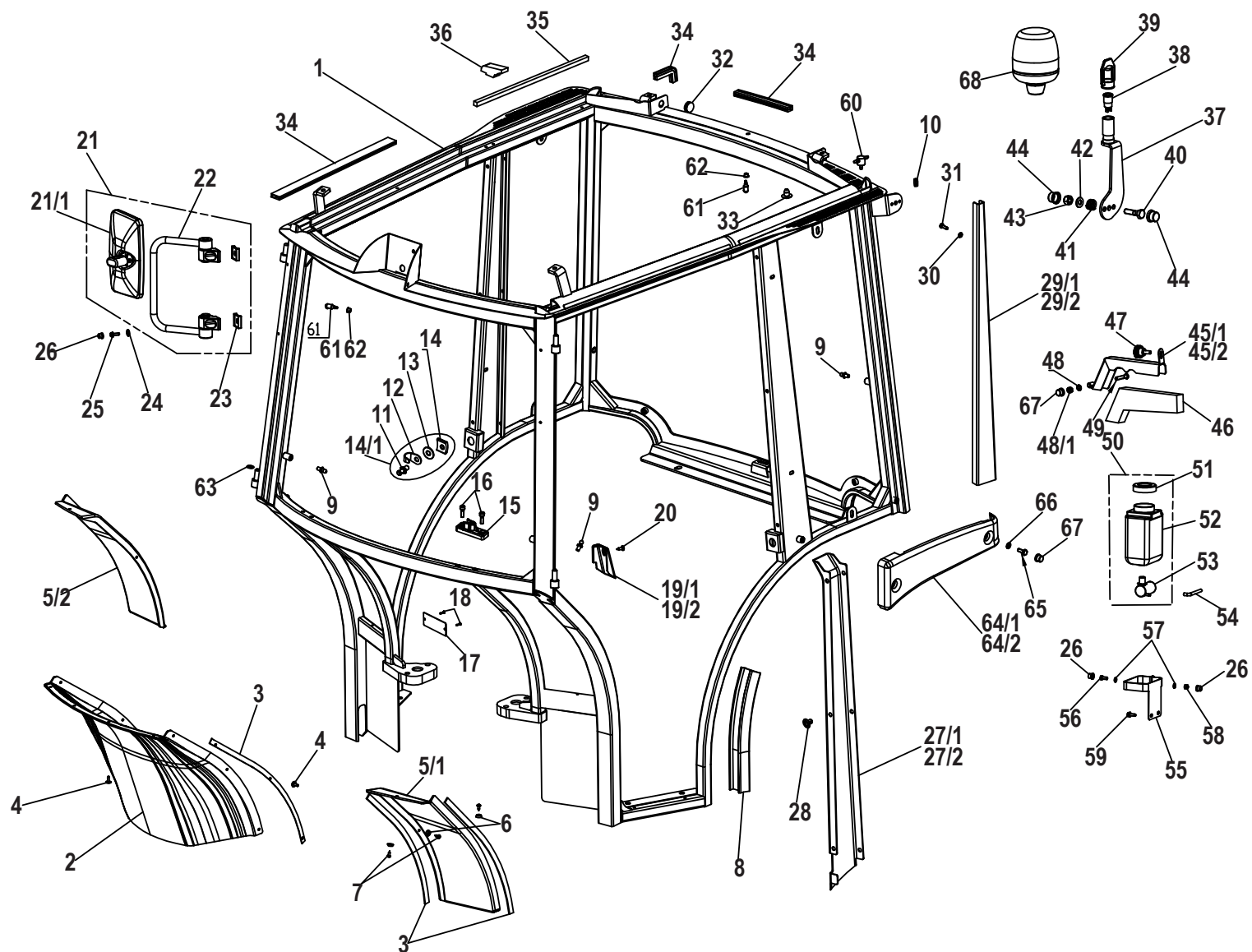
W.01.03.L60001_0



Pos.	Code	Q.ty	Description	Notes
6,0099997	59270304	1	RIM	061/10
6,0199999	59273925	4	RIM	061/10
6,0999999	58170181	1	DISC	
6,2000002	58175965	1	DISC	
9,0100002	59276320	4	RIM	
9,0200004	59276321	4	RIM	
9,1000003	58176323	4	FLANGIA CERCHIO W10X20 RAL1003	
9,1999998	58176324	4	FLANGIA CERCHIO W10X20 RAL9006	



Pos.	Code	Q.ty	Description	Notes
1	51177257	1	BALLAST	
2	56370539	4	SCREW	
3	F0844150000	4	WASHER D.30x18,5/5	
4	F0843993060	4	WASHER	
5	F0864314000	4	SCREW	



Pos.	Code	Q.ty	Description	Notes
1	59900767	1	CHASSIS FRAME	
2	59900768	1	DIVISION	
3	59900768	3.3	DIVISION	
4	59900397	10	RIVET	
6	59900561	6	WASHER	
7	59900562	6	RIBBED SCREW 4,8X19	
8	59900563	3	GASKET	
9	59900106	6	JOINT	
10	59900075	1	GASKET	
11	59900034	2	PIN	
12	59900026	2	CLEVIS	
13	59900027	2	SHIM M12X36	
14	59900028	2	SMALL PLATE	
15	59900565	2	STOP	
16	59900566	4	SCREW	
17	59900567	1	PLATE	
18	59900030	2	RIVET	
20	59900468	2	RIBBED SCREW 4,8X13	
21	59900773	2	MIRROR	
22	59900381	2	ROD	
23	59900383	4	SHIM	
24	59900398	4	WASHER M6X18	
25	59900035	4	SCREW 6X20	
26	59900037	6	NUT COVER	
28	59900776	12	RIVET	
30	59900779	4	LOCK WASHER	
31	31112093	4	SCREW TE M6X20	
32	59900576	2	PLUG	
33	59900780	1	PLUG	
35	59900580	0.9	FOAM RUBBER	
36	59900581	2	FOAM RUBBER SMALL BLOCK	
37	59900582	1	SUPPORT	
38	59900047	1	SOCKET	
39	59900046	1	PLASTIC PLUG	

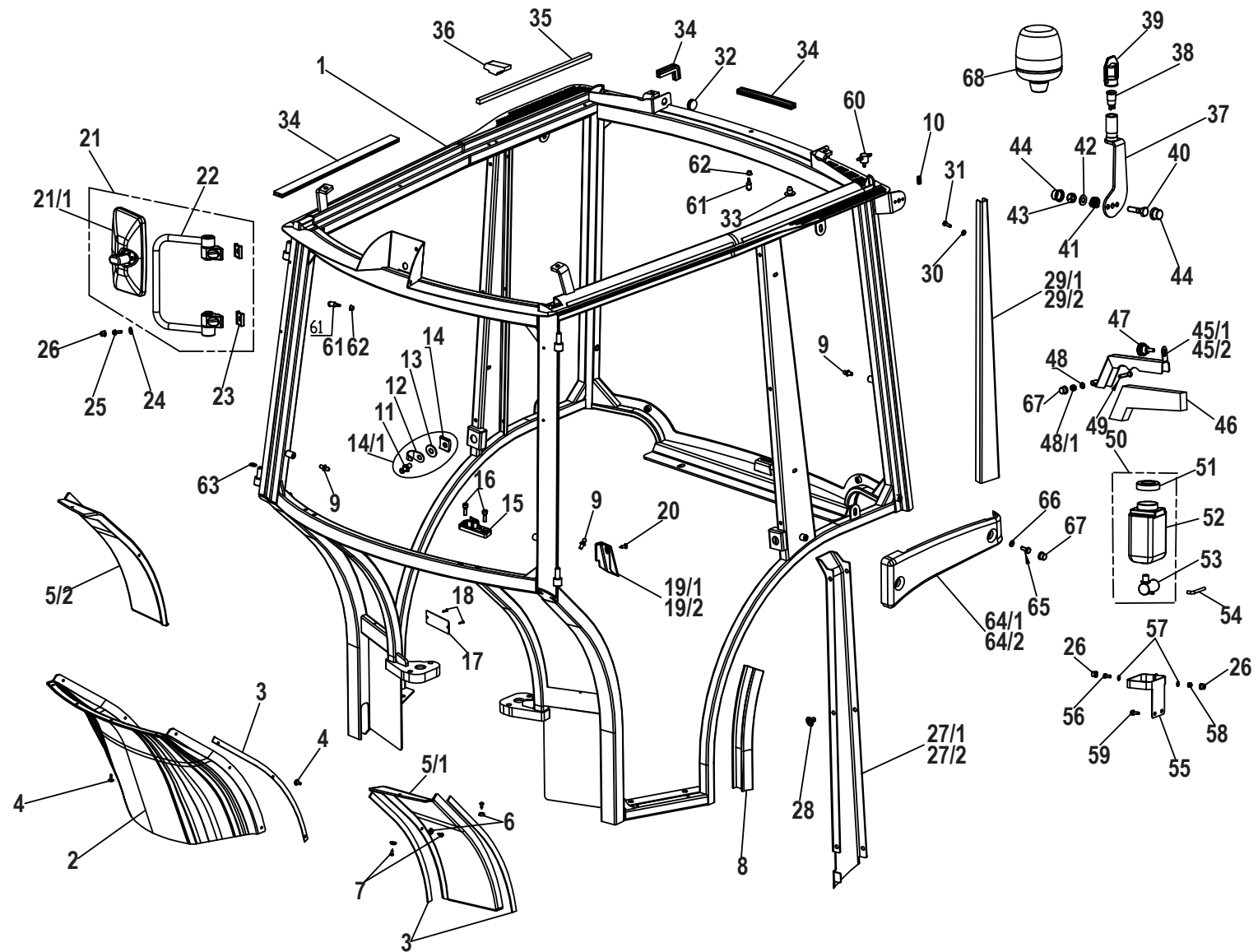
SERIAL

CABINA BF5 (struttura) (VEGA)

Hp 75

CODE REV

Y.02.01.L60001_0



Pos.	Code	Q.ty	Description	Notes
40	59900583	1	SCREW	
41	59900782	1	SPRING	
42	31411105	2	WASHER 10,5x21	
43	31241100	1	SELFLOCK HEXAGON NUT M10	
44	59900108	2	NUT COVER	
46	59900785	2	FOAM RUBBER	
47	59900013	2	KNOB	
48	59900393	2	ELASTIC WASHER M8 D.17MM	
49	59900786	2	SCREW	
50	59900389	1	TANK	
51	59900010	1	TANK COVER	
52	59900009	1	TANK	
53	59900011	1	ELECTRIC PUMP	
54	59900787	3.2	PIPE	
55	59900788	1	TANK SUPPORT	
56	59900396	1	HEXAGON SCREW M6X15	
57	31411064	2	WASHER 6,4x12,5	
58	31241060	1	HEXAGON SELFLOCK NUT M6	
59	59900031	2	SCREW	
60	59900388	1	PIPE FITTING	
61	59900466	2	COOLING NOZZLE	
62	59900477	2	RUBBER PLUG	
63	59900390	4	ALUMINIUM GASKET WASHER M12X18	
65	31112147	4	SCREW TE M8X18 UNI 5739 8G	
66	31411084	4	WASHER 8,4x17	
67	58170866	4	NUT COVER	
68	58177756	1	ROTARY WARN. LAMP	
14,100000	59900564	1	KIT	
19,100000	59900771	1	COVER	
19,200000	59900772	1	COVER	
21,100000	59900006	2	SUMP	
27,100000	59900774	1	BRACE COVER	
27,200000	59900775	1	BRACE COVER	
29,100000	59900777	1	COVER	

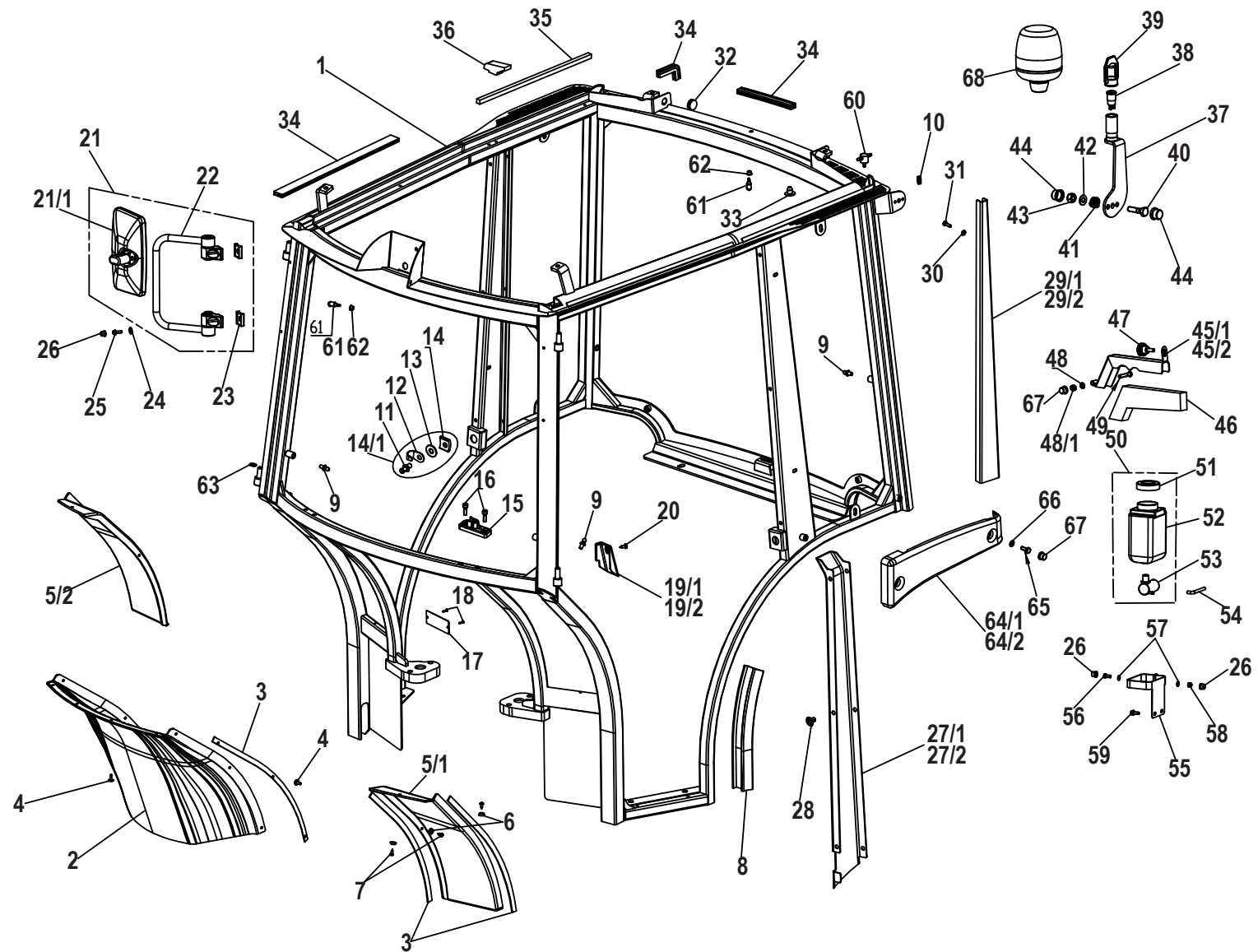
SERIAL

CABINA BF5 (struttura) (VEGA)

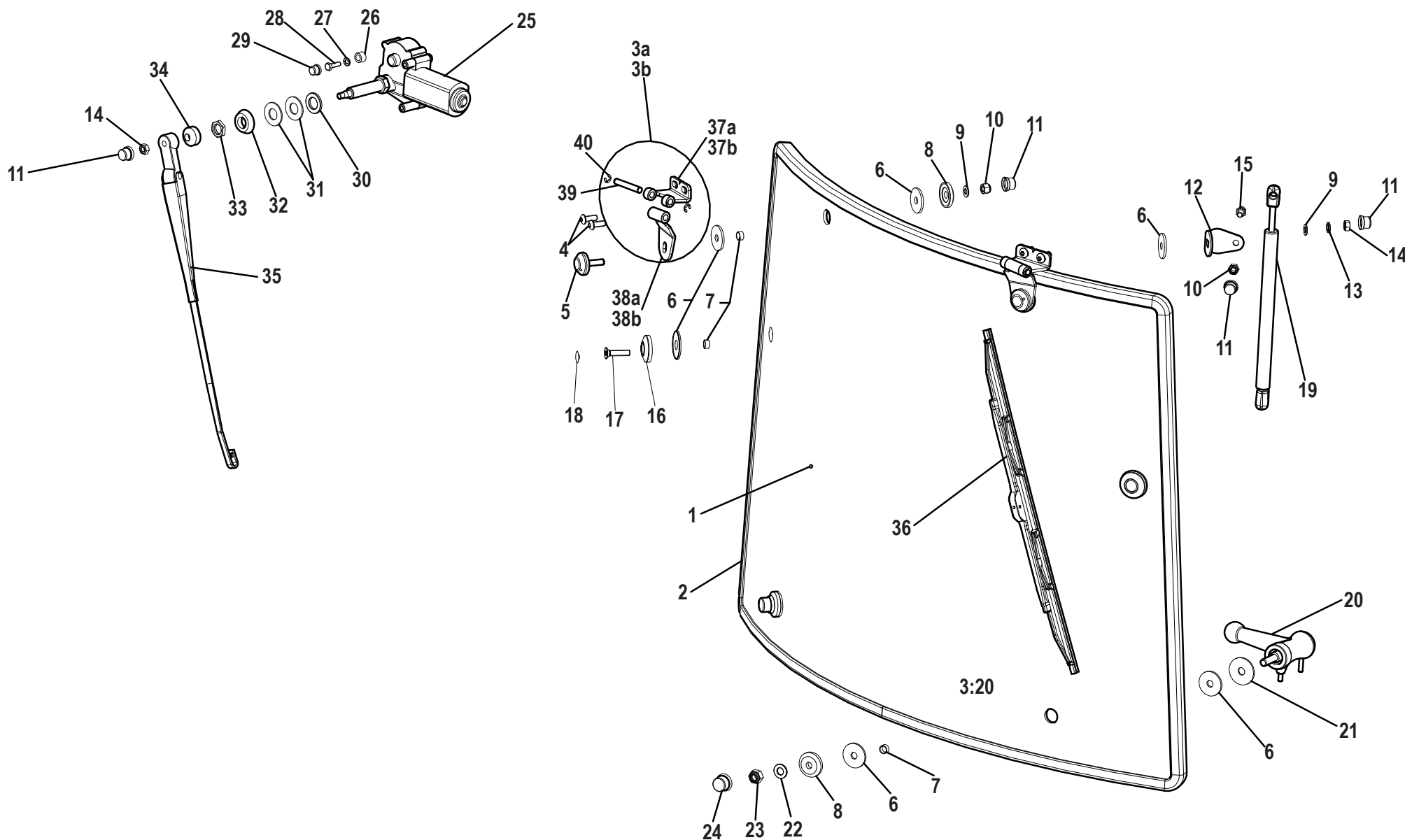
Hp 75

CODE REV

Y.02.01.L60001_0



Pos.	Code	Q.ty	Description	Notes
29,200000	59900778	1	COVER	
34,099998	59900781	5.45	GASKET	
45,099998	59900783	1	FASTENER	
45,200000	59900784	1	FASTENER	
48,099998	31241081	2	HEXAGON SELFLOCK NUT	
5,0999999	59900397	1	RIVET	
5,1999998	59900770	1	DIVISION	
64,099998	57377354V	1	FASCIA LAT.POST.SX(77354)VERDE	
64,199996	57377350V	1	FASCIA LAT.POST.DX(77350)VERDE	



Pos.	Code	Q.ty	Description	Notes
1	59900554	1	FRONT GLASS	
2	59900112	1	GLASS GASKET	
4	59900798	4	SCREW	
5	59900601	2	BOSS	
6	59900074	12	WASHER	
7	59900103	6	RING	
8	59900102	4	PLASTIC WASHER 10x36/8	
9	31411084	4	WASHER 8,4x17	
10	31241080	4	HEXAGON SELFLOCK NUT M8	
11	59900109	7	NUT COVER	
12	59900402	2	SUPPORT	
13	59900117	2	WASHER 11,4 M8	
14	31211060	3	HEXAGONAL NUT M8	
15	59900106	2	JOINT	
16	59900799	2	BOSS	
17	59900624	2	SCREW	
18	59900604	2	SCREW COVER	
19	59900800	2	PNEUMATIC SPRING	
20	59900094	2	HANDLE	
21	59900404	2	WASHER FOR SUPPORTING M10X36	
22	31411105	2	WASHER 10,5x21	
23	31241100	2	SELFLOCK HEXAGON NUT M10	
24	59900108	2	NUT COVER	
25	59900801	1	WIPER MOTOR	
26	59900802	1	SPACER	
27	31411064	1	WASHER 6,4x12,5	
28	31112093	2	SCREW TE M6X20	
29	59900037	1	NUT COVER	
30	59900407	1	WASHER M16 D.30MM	
31	59900408	2	RUBBER WIPER MOTOR WASHER	
32	59900409	1	CONICAL WASHER FOR WIPER MOTOR	
33	59900803	1	CRANK SHAFT NUT	
34	59900107	1	PIN COVER	
35	59900804	1	ARM	

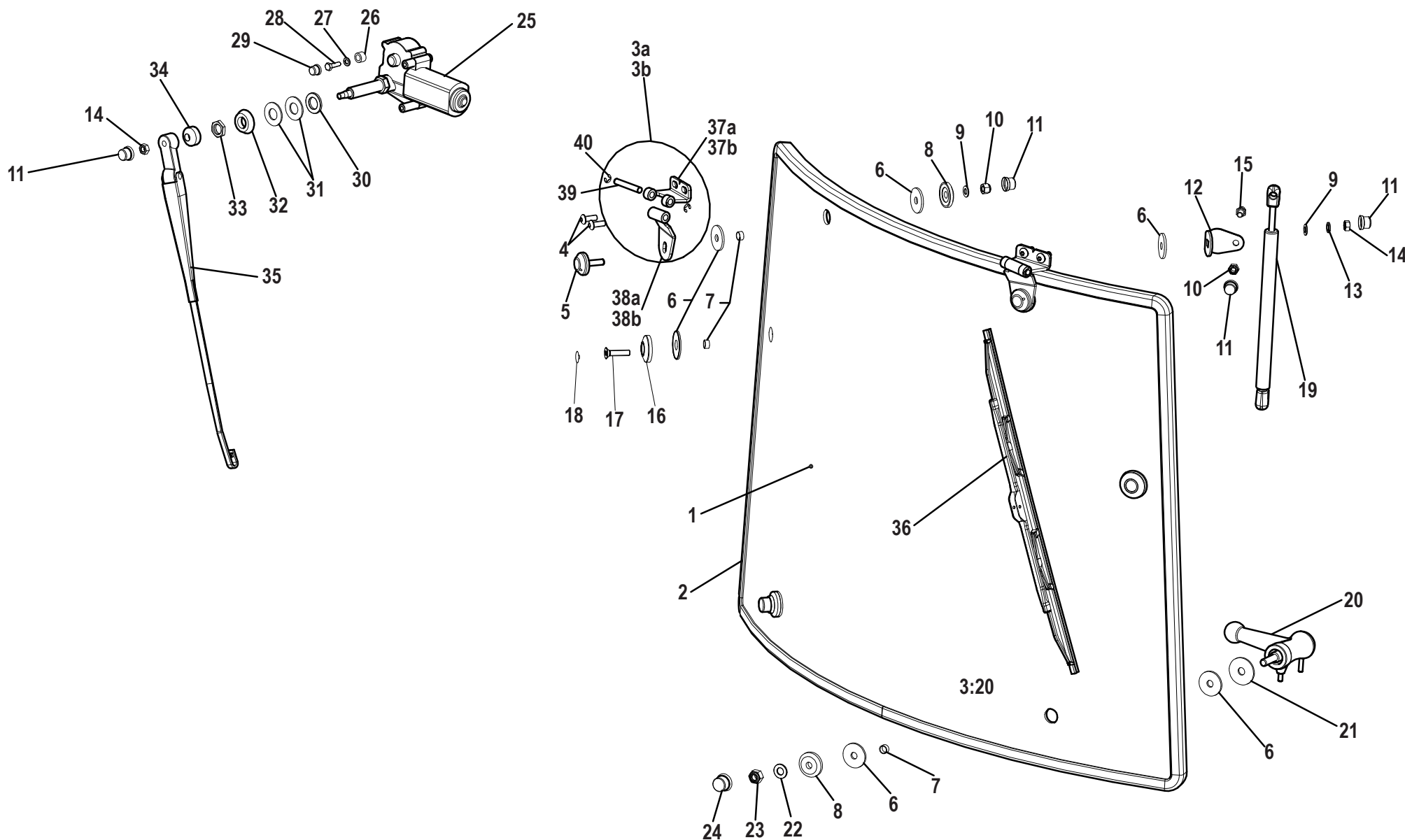
SERIAL

CABINA BF5 (vetro anteriore)

Hp 75

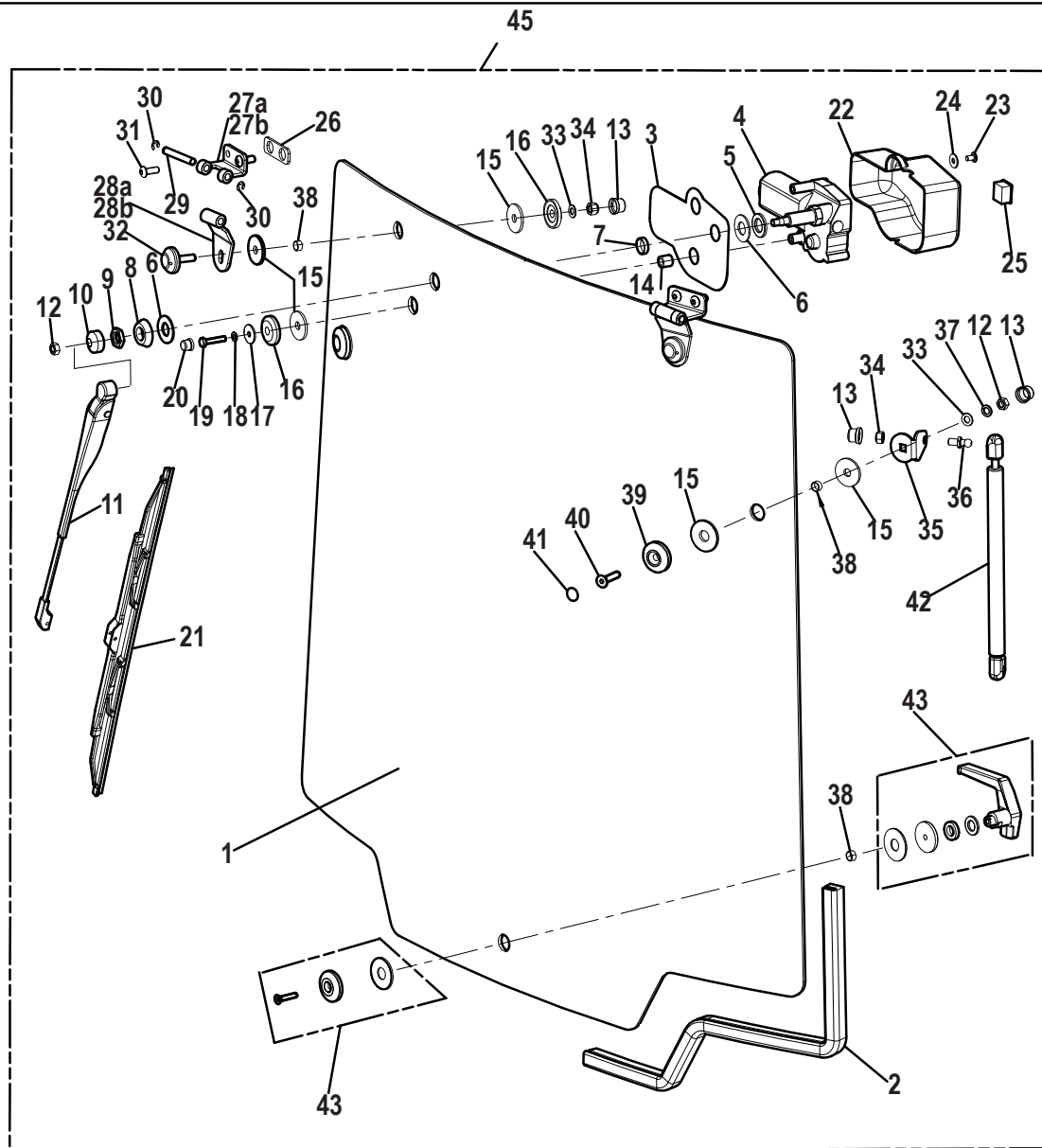
CODE REV

Y.02.02.L60001_0



Pos.	Code	Q.ty	Description	Notes
36	59900805	1	WIPER BLADE	
39	59900810	2	HINGE PIN	
40	59900811	4	RETAINING RING	
42	59900812	1	FRONT GLASS	
3,0999999	59900796	1	LH HINGE	
3,2000000	59900797	1	RH HINGE	
37,099998	59900806	1	LH HINGE	
37,200000	59900807	1	RH HINGE	
38,099998	59900808	1	LH HINGE	
38,200000	59900809	1	RH HINGE	

CABINA BF5 (vetro posteriore)



Pos.	Code	Q.ty	Description	Notes
1	59900555	1	REAR GLASS	
2	59900112	1	GLASS GASKET	
3	59900093	1	DECAL	
4	59900134	1	WIPER MOTOR	
5	59900407	1	WASHER M16 D.30MM	
6	59900408	2	RUBBER WIPER MOTOR WASHER	
7	59900403	1	SPACER	
8	59900409	1	CONICAL WASHER FOR WIPER MOTOR	
9	59900803	1	CRANK SHAFT NUT	
10	59900107	1	PIN COVER	
11	59900814	1	WIPER ARM	
12	31211060	3	HEXAGONAL NUT M8	
13	59900109	6	NUT COVER	
14	59900138	1	NYLON RING HINGE 14X13	
15	59900074	9	WASHER	
16	59900102	4	PLASTIC WASHER 10x36/8	
17	59900411	1	WASHER M6X24	
18	31411064	1	WASHER 6,4x12,5	
19	F0862261010	1	HEXAGON HEAD SCREW	
20	59900037	1	NUT COVER	
21	59900817	1	WIPER BLADE	
22	59900414	1	COVER	
23	59900405	2	SCREW	
24	59900406	2	WASHER FOR FIXTING	
25	59900415	1	SWITCH	
26	59900818	2	SHIM	
29	59900810	2	HINGE PIN	
30	59900811	4	RETAINING RING	
31	59900798	4	SCREW	
32	59900601	2	BOSS	
33	31411084	4	WASHER 8,4x17	
34	31241080	4	HEXAGON SELFLOCK NUT M8	
35	59900402	2	SUPPORT	
36	59900106	2	JOINT	

SERIAL

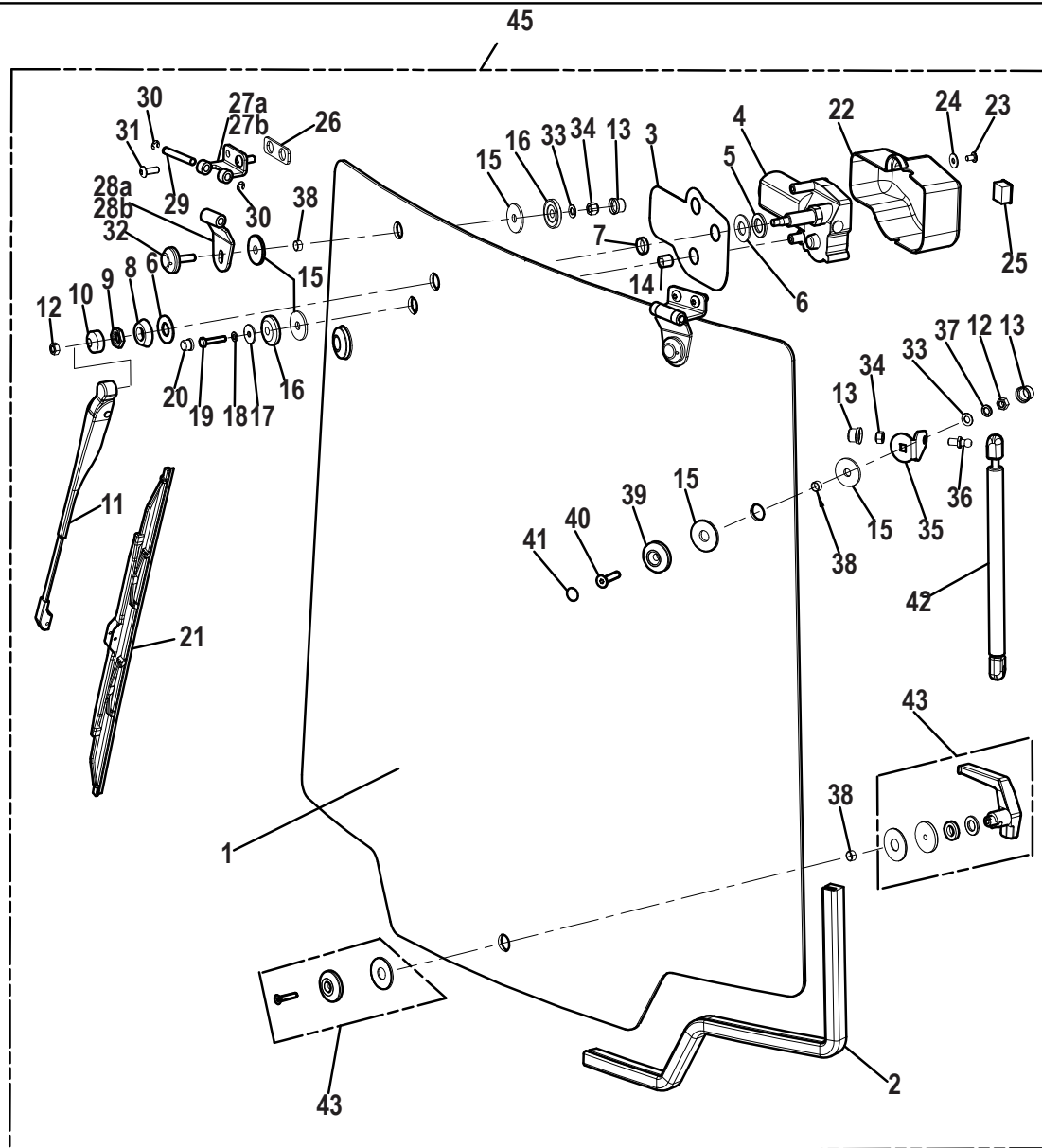
CABINA BF5 (vetro posteriore)

Hp 75

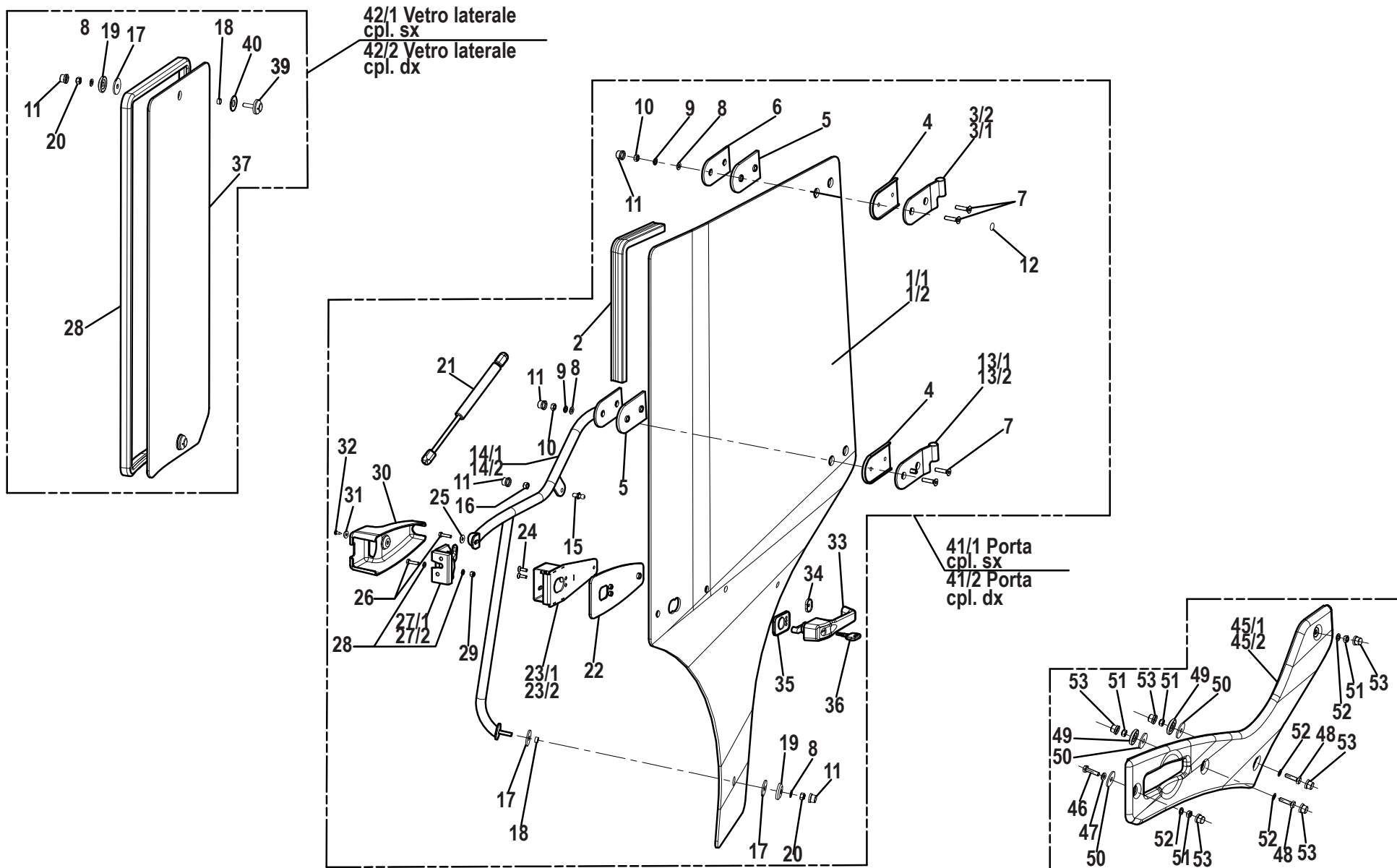
CODE REV

Y.02.03.L60001_0

CABINA BF5 (vetro posteriore)



Pos.	Code	Q.ty	Description	Notes
37	59900117	2	WASHER 11,4 M8	
38	59900103	5	RING	
39	59900799	2	BOSS	
40	59900624	2	SCREW	
41	59900604	2	SCREW COVER	
42	59900118	2	PNEUMATIC SPRING	
43	59900821	1	KIT	
45	59900822	1	REAR GLASS	
27,100000	59900819	1	LH HINGE	
27,200000	59900820	1	RH HINGE	
28,100000	59900808	1	LH HINGE	
28,200000	59900809	1	RH HINGE	



Pos.	Code	Q.ty	Description	Notes
2	59900631	2	GASKET	
4	59900425	2	GASKET	
5	59900426	2	GASKET	
6	59900427	1	PLATE	
7	59900624	4	SCREW	
8	31411084	7	WASHER 8,4x17	
9	59900117	4	WASHER 11,4 M8	
10	31211060	4	HEXAGONAL NUT M8	
11	59900109	8	NUT COVER	
12	59900604	4	SCREW COVER	
15	59900106	2	JOINT	
16	31241081	1	HEXAGON SELFLOCK NUT	
17	59900074	4	WASHER	
18	59900429	3	NYLON DISTANCE RING	
19	59900102	3	PLASTIC WASHER 10x36/8	
20	31241080	5	HEXAGON SELFLOCK NUT M8	
21	59900828	1	PNEUMATIC SPRING	
22	59900641	1	S/BASE GOMMA SERR.T5 628014631	
24	59900644	1	SCREW	
25	59900398	1	WASHER M6X18	
26	59900432	3	HEXAGON HEAD SCREW	
28	31411064	4	WASHER 6,4x12,5	
29	31241060	2	HEXAGON SELFLOCK NUT M6	
30	59900647	1	LOCK COVER	
31	59900561	1	WASHER	
32	59900468	1	RIBBED SCREW 4,8X13	
33	59900649	1	DOOR HANDLE	
34	59900650	1	GASKET	
35	59900651	1	GASKET	
36	59900652	1	KEY	
37	59900829	2	RH SIDE GLASS	
38	59900654	2	GLASS GASKET	
39	59900601	4	BOSS	
40	59900656	4	GASKET	

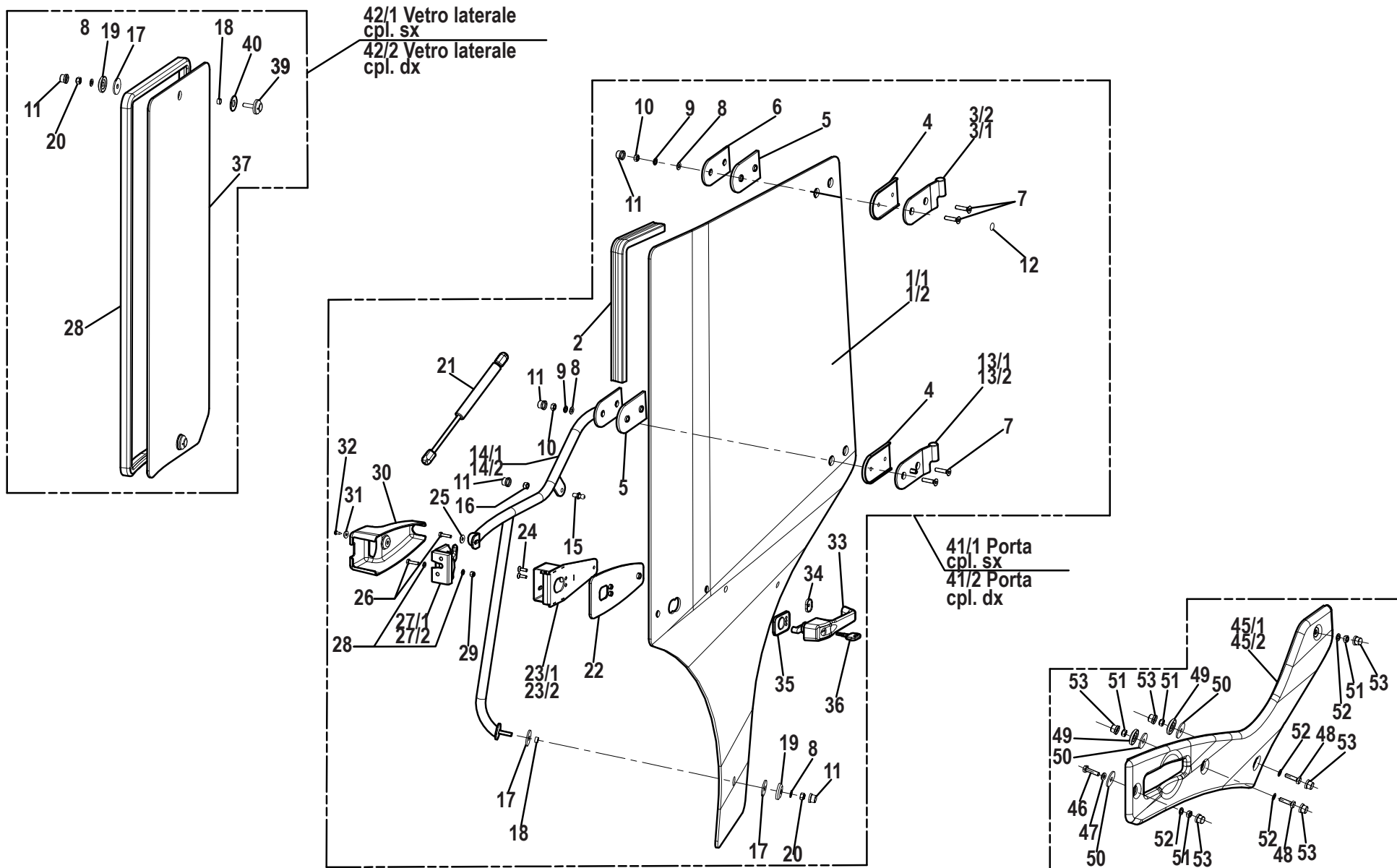
SERIAL

CABINA BF5 (vetri porte) (VEGA)

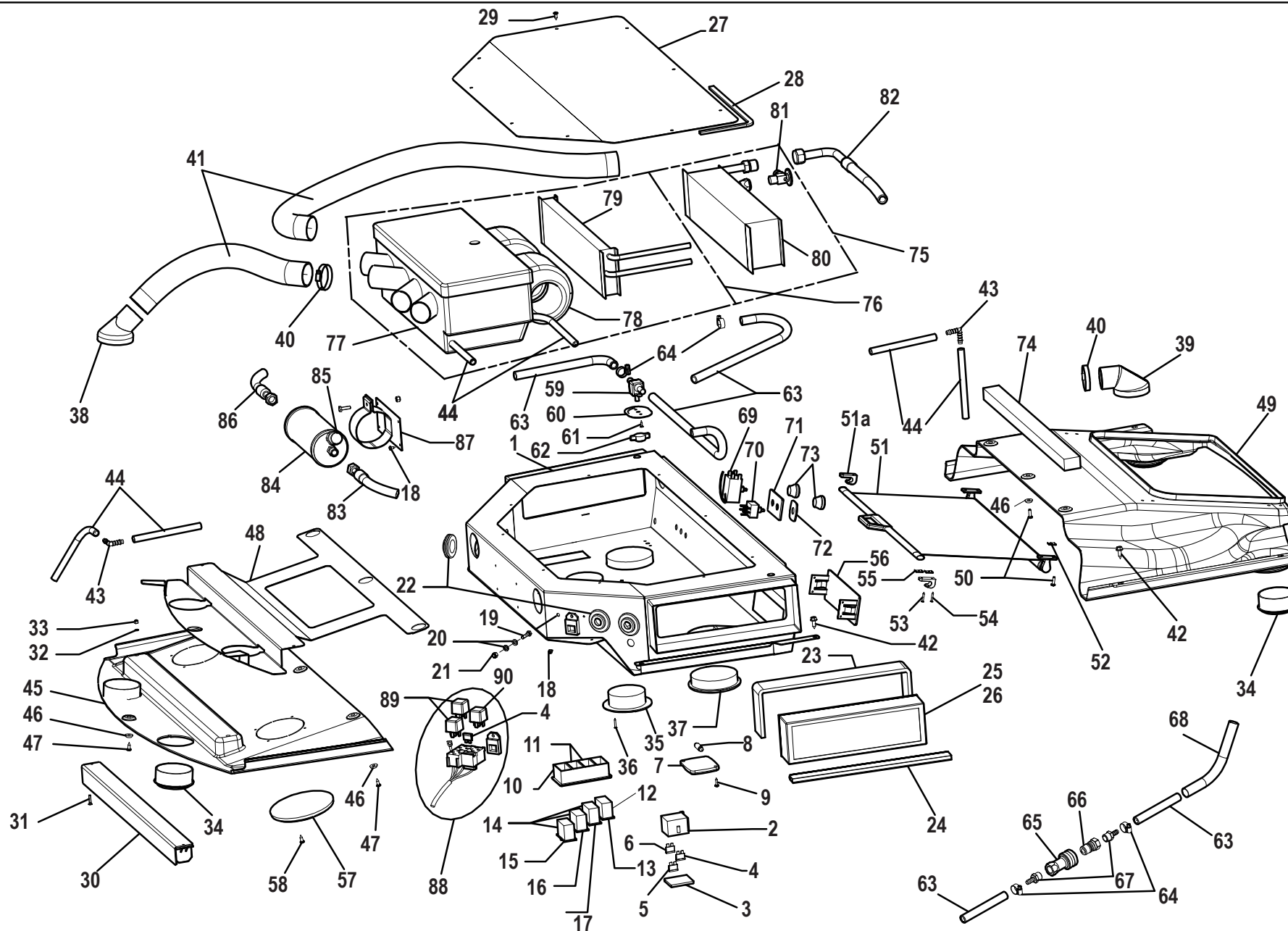
Hp 75

CODE REV

Y.02.04.L60001_0



Pos.	Code	Q.ty	Description	Notes
46	F0862479032	2	SCREW M8X25 7380	
47	31411090	2	WASHER 9x24	
48	F0862694000	2	SCREW M8X170 UNI 5737	
49	58170863	2	BLOCK	
50	58170864	4	GASKET	
51	F0814585000	6	SELFLOCK NUT	
52	31411084	6	WASHER 8,4x17	
53	58170866	8	NUT COVER	
1,1000000	59900545	1	LH DOORGLASS	
1,2000000	59900546	1	RH DOORGLASS	
13,100000	59900636	1	RH HINGE	
13,199999	59900637	1	RH HINGE	
14,100000	59900826	1	DOOR HANDLE	
14,199999	59900827	1	DOOR HANDLE	
23,100000	59900642	1	SUPPORT	
23,200000	59900643	1	SUPPORT	
27,100000	59900645	1	LH LOCK SMALL BLOCK	
27,200000	59900646	1	RH LOCK SMALL BLOCK	
3,0999999	59900632	1	RH HINGE	
3,2000000	59900633	1	RH HINGE	
41,099998	59900830	1	CAB DOOR - LEFT	
41,200000	59900831	1	CAB DOOR RIGHT	
42,099998	59900832	1	LH SIDE GLASS	
42,200000	59900833	1	RH SIDE GLASS	
45,099998	57377346V	1	FASCIA LAT.ANT.SX (77346)VERDE	
45,200000	57377342V	1	FASCIA LAT.ANT.DX (77342)VERDE	



Y.02.05.L60001_0

Pos.	Code	Q.ty	Description	Notes
1	59900836	1	INNER CAB ROOF PANEL	
2	59900058	1	FUSE-HOLDER	
3	59900057	1	COVER	
4	59900665	2	FUSE/LOCK	
5	59900666	2	FUSE/LOCK	
6	59900667	3	FUSE/LOCK	
7	59900459	1	PLAFONIERA PER VENTILAZIONE	
8	59900668	1	LAMP	
9	59900460	2	RIBBED SCREW 3,5X16	
10	59900051	2	SWITCH SUPPORT	
11	59900052	2	SWITCH SUPPORT	
12	59900054	1	SWITCH	
13	59900669	1	GLASS	
14	59900053	3	SWITCH	
15	59900670	1	GLASS	
16	59900671	1	GLASS	
17	59900672	1	GLASS	
18	59900673	6	SCREW	
19	59900432	1	HEXAGON HEAD SCREW	
20	31411064	2	WASHER 6,4x12,5	
21	31241060	1	HEXAGON SELFLOCK NUT M6	
22	59900469	3	PLUG	
23	59900674	1	CELLULAR FOAM	
24	59900579	0.7	GASKET	
25	59900676	2	FILTER	
26	59900677	2	CARBON FILTER	
27	59900678	1	COVER	
28	59900679	2.2	CELLULAR FOAM	
29	59900468	9	RIBBED SCREW 4,8X13	
30	59900680	1	ROLL-UP SUN-SHADE	
31	59900681	2	SCREW	
32	59900682	2	WASHER M4	
33	59900683	2	HEXAGON NUT M4	
34	59900474	4	TONGUE	

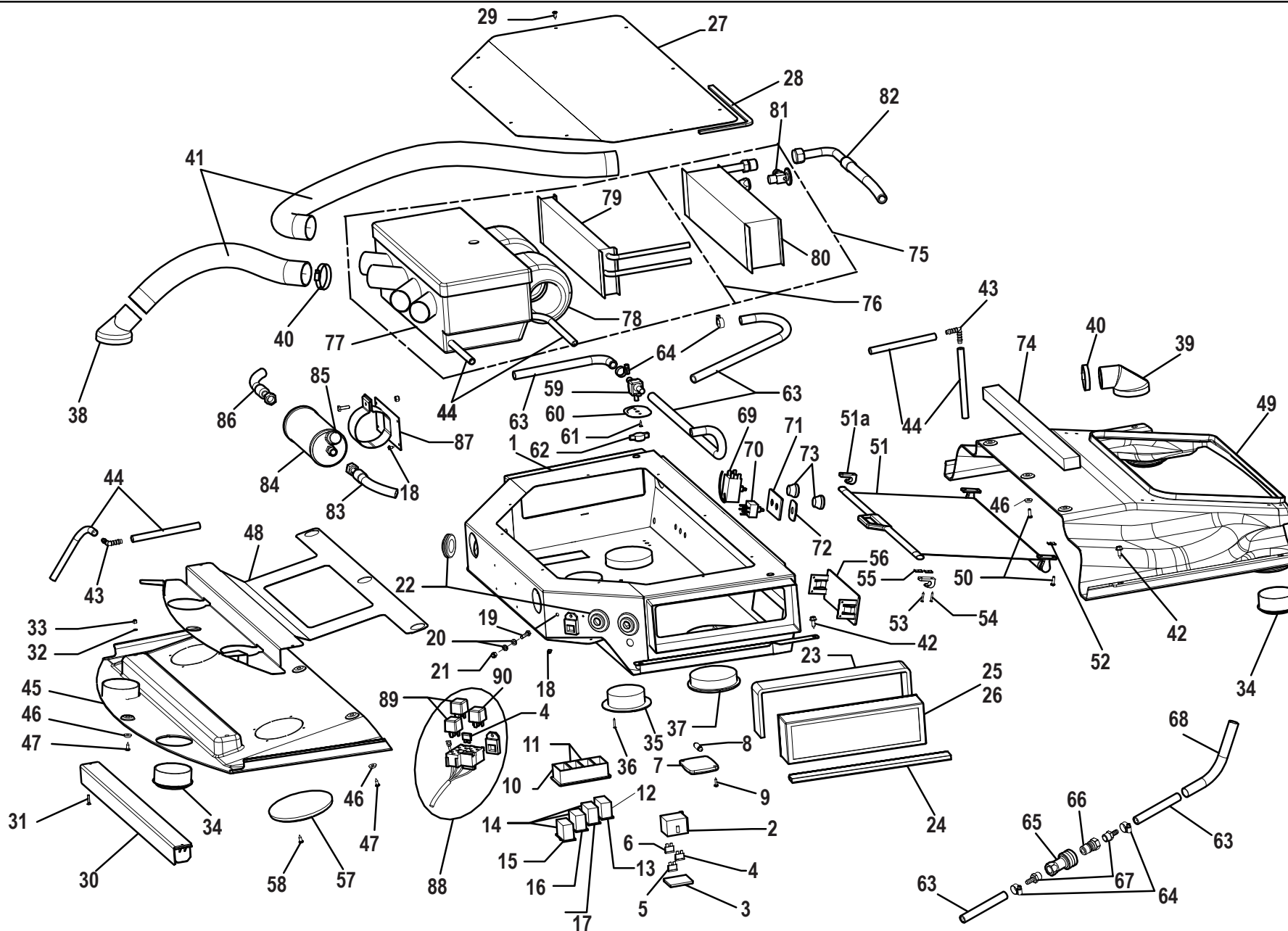
SERIAL

CABINA BF5 (sottotetto)

Hp 75

CODE REV

Y.02.05.L60001_0



Y.02.05.L60001_0

Pos.	Code	Q.ty	Description	Notes
35	59900463	2	TONGUE	
36	59900464	6	SUNK HEAD RIBBED SCREW 2,9X19	
37	59900684	2	TONGUE	
38	59900685	2	PIPE FITTING	
39	59900686	2	PIPE FITTING	
40	59900455	8	HOSE CLIP	
41	59900687	3.1	PIPE	
42	59900395	8	RIBBED SCREW 6,5X20	
43	59900688	4	ELBOW	
44	59900689	4.4	RUBBER HOSE	
45	59900837	1	INNER CAB ROOF PANEL	
46	59900561	7	WASHER	
47	59900562	4	RIBBED SCREW 4,8X19	
48	59900838	1	SUPPORT	
49	59900839	1	INNER CAB ROOF PANEL	
50	59900516	7	RIBBED SCREW 4,8X16	
51	59900840	1	ROLL-UP SUN-SHADE	
52	59900698	4	STOP	
53	59900699	2	SCREW	
54	59900464	2	SUNK HEAD RIBBED SCREW 2,9X19	
55	59900700	4	STOP	
56	59900701	1	COVER	
57	59900702	2	GRILLE	
58	59900468	8	RIBBED SCREW 4,8X13	
59	59900068	1	COCK OR TAP	
60	59900444	1	FRONT GRILLE	
61	59900699	2	SCREW	
62	59900070	1	KNOB	
63	59900069	6.8	PIPE	
64	59900071	10	PIPE CONNECTION	
65	59900018	2	CONNECTION	
66	59900019	2	CONNECTION	
67	59900020	4	PIPE FITTING	
68	59900704	1.4	SHEATH	

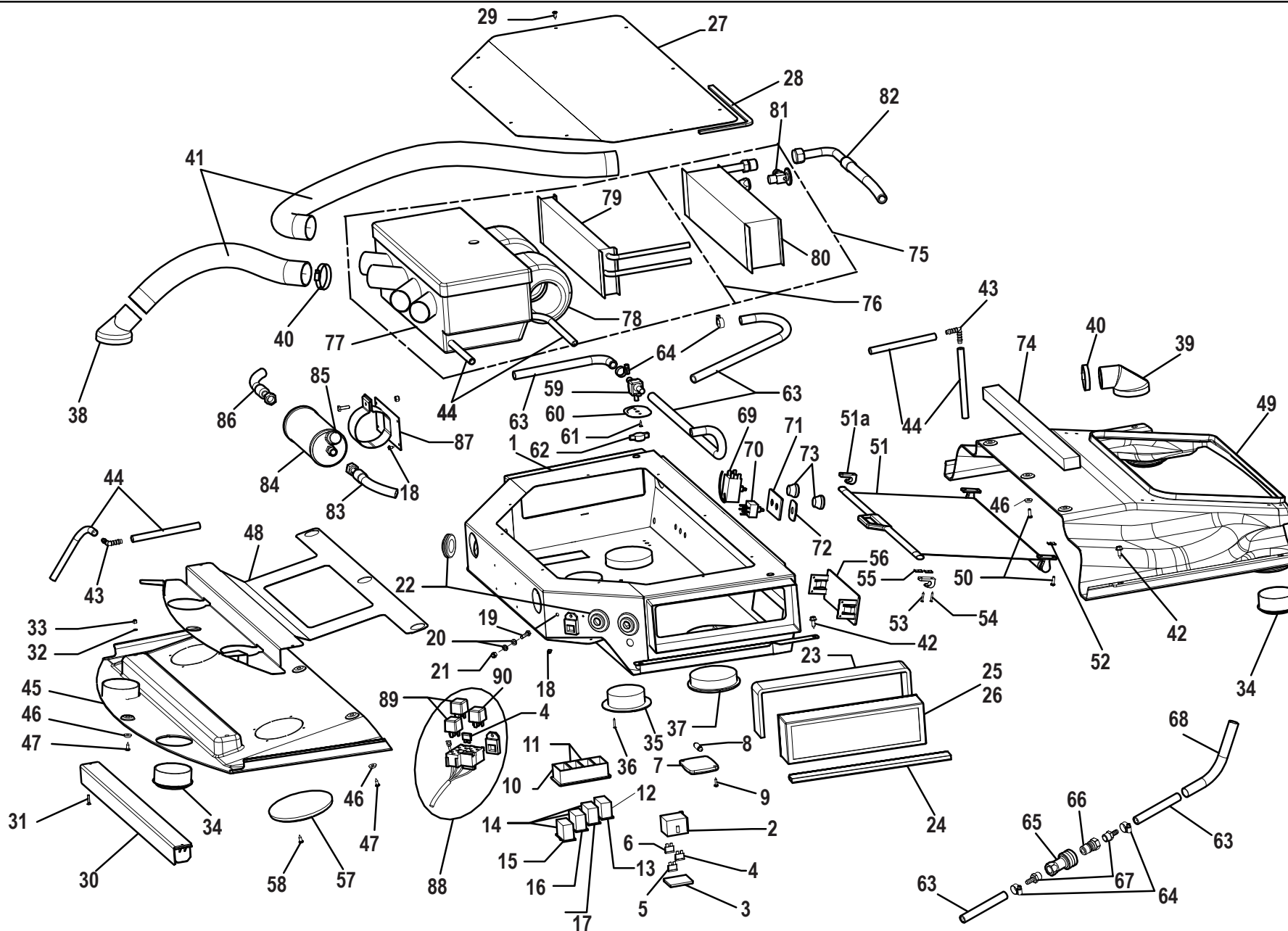
SERIAL

CABINA BF5 (sottotetto)

Hp 75

CODE REV

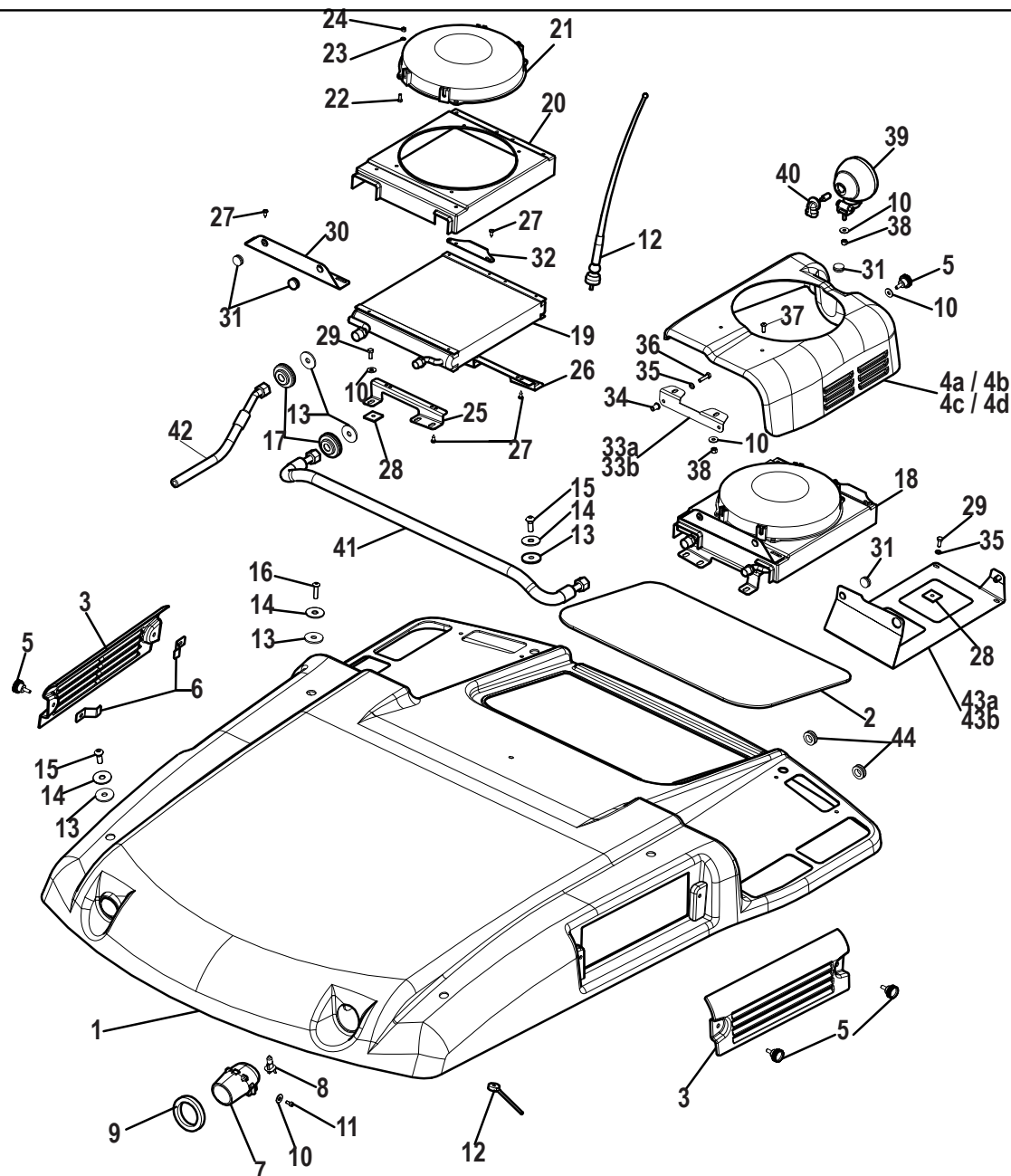
Y.02.05.L60001_0



Y.02.05.L60001_0

Pos.	Code	Q.ty	Description	Notes
69	59900507	1	THERMOSTAT	
70	59900449	1	SWITCH	
71	59900705	1	FUSE BOX BADGE	
72	59900448	1	PLATE	
73	59900447	1	KNOB	
74	59900023	0.52	FOAM RUBBER	
75	59900841	1	KIT	
76	59900707	1	UNIT	
77	59900708	1	KIT	
78	59900440	1	DIGITAL INSTRUMENT	
79	59900441	1	RADIATOR	
80	59900709	1	VAPORIZER	
81	59900506	1	VALVE	
82	59900842	1	PIPE	
83	59900843	1	PIPE	
84	59900712	1	FILTER	
85	59900713	1	BULB	
86	59900844	1	PIPE	
87	59900715	1	RETAINER	
88	59900716	1	ELECTRICAL SYSTEM KIT	
89	59900521	2	RELAY	
90	59900717	1	RELAY	
1,1000000	59900664	0.77	LINING	
44,099998	59900511	3.4	EXHAUST	
51,099998	59900697	2	CLEVIS	

CABINA BF5 (guscio tetto)



Pos.	Code	Q.ty	Description	Notes
1	59900845	1	ROOF	
2	59900846	1	GLASS	
3	59900720	2	GRILLE	
5	59900725	6	KNOB	
6	59900726	4	FIXING BRACKET	
7	59900727	2	HEADLIGHT	
8	59900728	2	LAMP	
9	59900580	0.45	FOAM RUBBER	
10	59900398	16	WASHER M6X18	
11	59900730	4	SCREW	
12	59900731	1	AERIAL	
13	59900074	10	WASHER	
14	59900404	6	WASHER FOR SUPPORTING M10X36	
15	59900732	4	SCREW	
16	59900733	2	SCREW	
17	59900469	4	PLUG	
18	59900734	2	CONDENSER	
19	59900735	2	CONDENSER	
20	59900736	2	DUCT	
21	59900737	2	FAN	
22	59900738	8	SCREW	
23	59900739	8	WASHER M5	
24	59900740	8	SELFLOCK NUT M5	
25	59900741	4	FIXING BRACKET	
26	59900742	4	FIXING BRACKET	
27	59900468	16	RIBBED SCREW 4,8X13	
28	59900744	8	RUBBER PLUG	
29	59900396	8	HEXAGON SCREW M6X15	
30	59900745	2	FIXING BRACKET	
31	59900075	4	GASKET	
32	59900746	2	FIXING BRACKET	
34	59900749	4	INSERT	
35	31411064	12	WASHER 6,4x12,5	
36	59900432	4	HEXAGON HEAD SCREW	

SERIAL

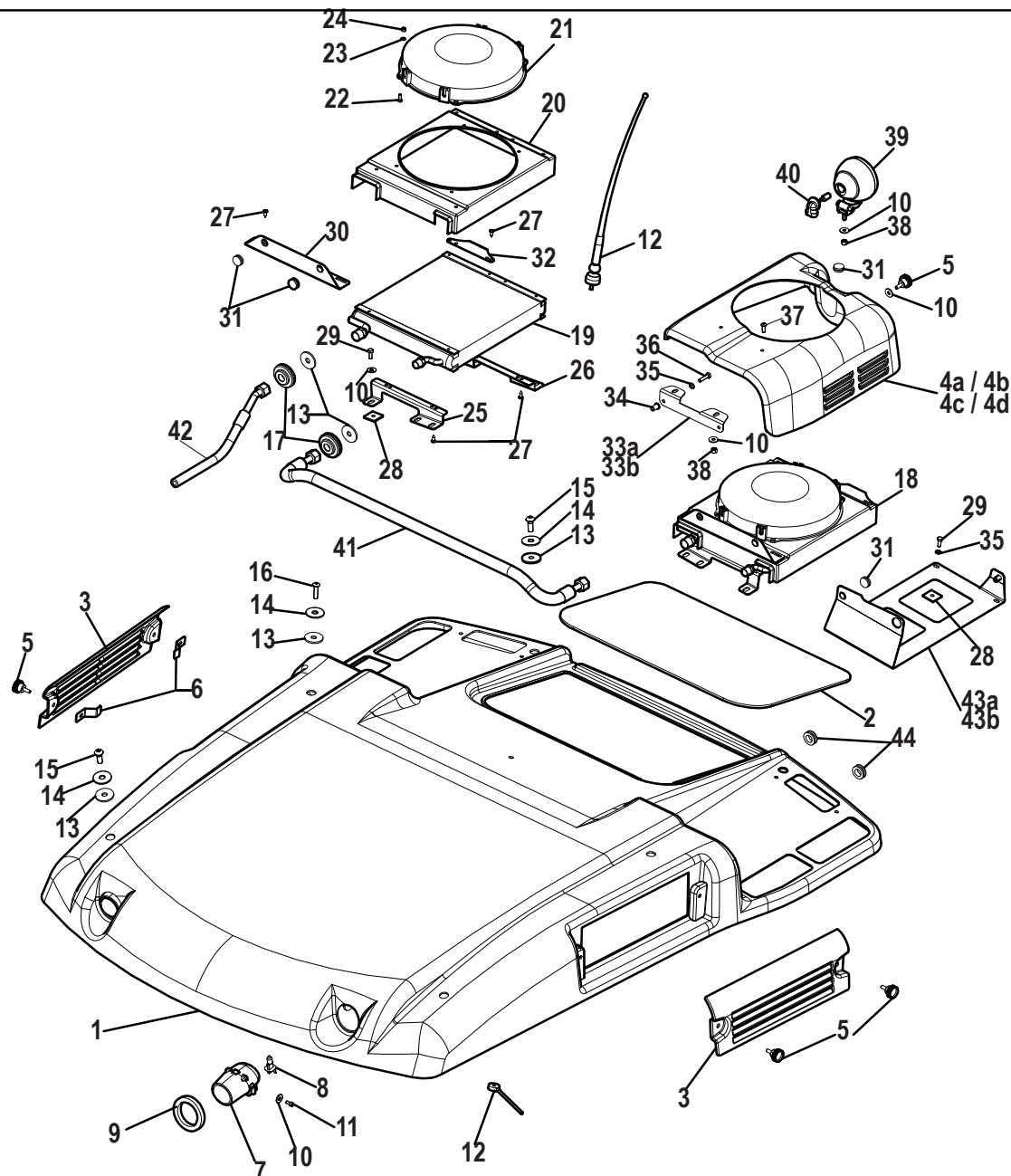
CABINA BF5 (guscio tetto)

Hp 75

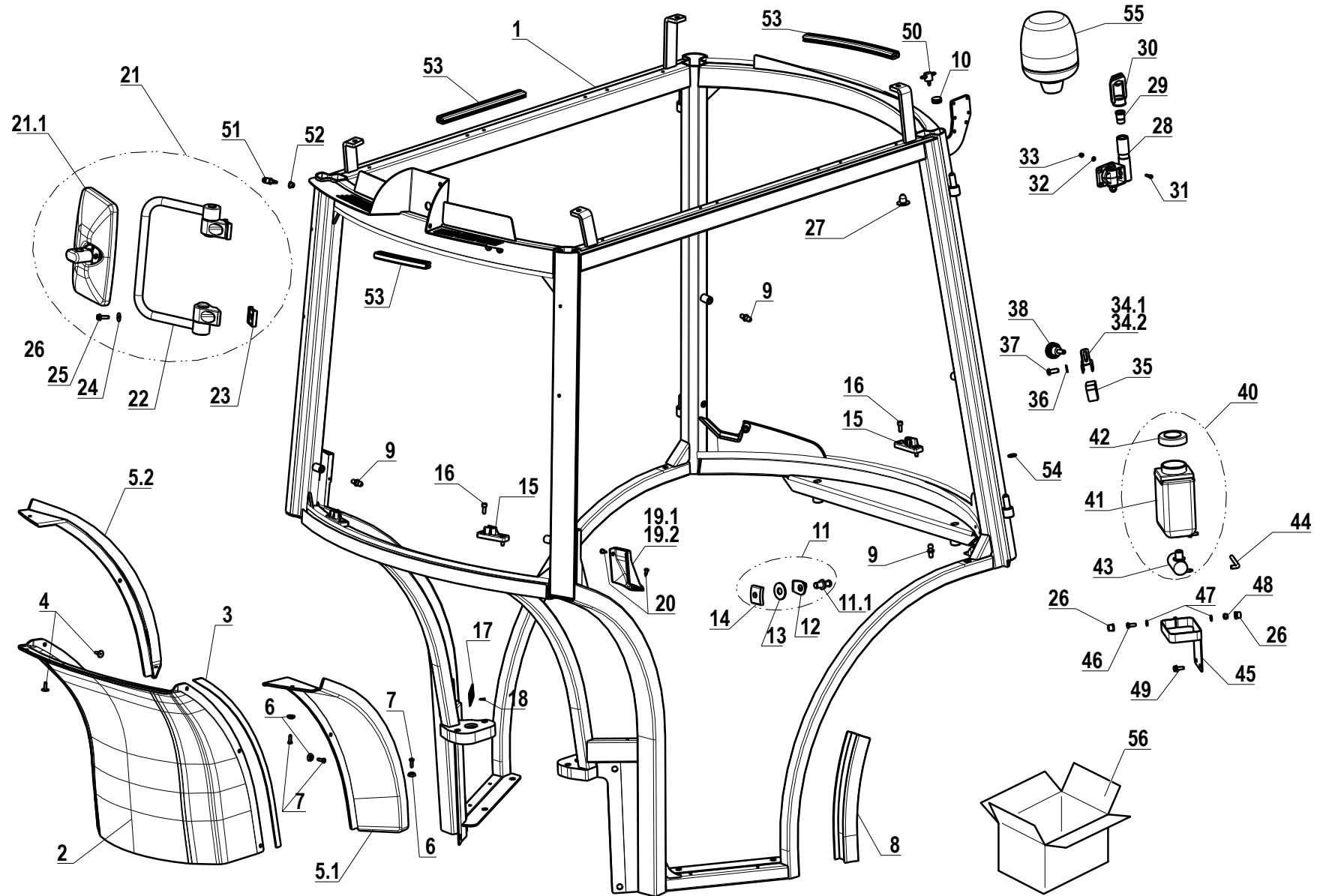
CODE REV

Y.02.06.L60001_0

CABINA BF5 (guscio tetto)



Pos.	Code	Q.ty	Description	Notes
37	59900750	4	SCREW	
38	31241060	6	HEXAGON SELFLOCK NUT M6	
39	59900751	2	WORKING SPOTLIGHT	
40	59900752	2	LAMP	
41	59900847	1	CONNECTION PIPE	
42	59900848	1	PIPE	
44	59900576	4	PLUG	
33,099998	59900747	1	LEFT BRACKET	
33,200000	59900748	1	RIGHT YOKE	
4,0999999	59900721	1	COVER	
4,1999998	59900722	1	COVER	
4,3000001	59900723	1	COVER	
4,4000000	59900724	1	COVER	
43,099998	59900755	1	SUPPORT	
43,200000	59900756	1	SUPPORT	



Pos.	Code	Q.ty	Description	Notes
1	59905262	1	TELAIO COMPL.BF9 (701E1A930)	
2	59900768	1	DIVISION	
3	59900558	3.3	FOAM RUBBER	
4	59900397	10	RIVET	
6	59900561	6	WASHER	
7	59900562	6	RIBBED SCREW 4,8X19	
8	59900563	3	GASKET	
9	59900106	6	JOINT	
10	59900075	1	GASKET	
11	59900564	2	KIT	
12	59900026	2	CLEVIS	
13	59900027	2	SHIM M12X36	
14	59900028	1	SMALL PLATE	
15	59900565	2	STOP	
16	59900566	4	SCREW	
17	59900567	1	PLATE	
18	59900030	2	RIVET	
20	59900468	2	RIBBED SCREW 4,8X13	
21	59900773	2	MIRROR	
22	59900381	2	ROD	
23	59900383	4	SHIM	
24	59900398	4	WASHER M6X18	
25	59900035	4	SCREW 6X20	
26	59900037	6	NUT COVER	
27	59900577	1	PLUG	
28	59905265	1	SUPP.LAMPADA ROT.(622141235)	
29	59900047	1	SOCKET	
30	59900046	1	PLASTIC PLUG	
31	59905266	4	VITE TESTA BOMBATA (613100416)	
32	59900682	4	WASHER M4	
33	59900683	4	HEXAGON NUT M4	
35	59900016	0.3	FOAM RUBBER	
36	31411084	2	WASHER 8,4x17	
37	59905269	2	VITE TESTA BOMBATA (613110820)	

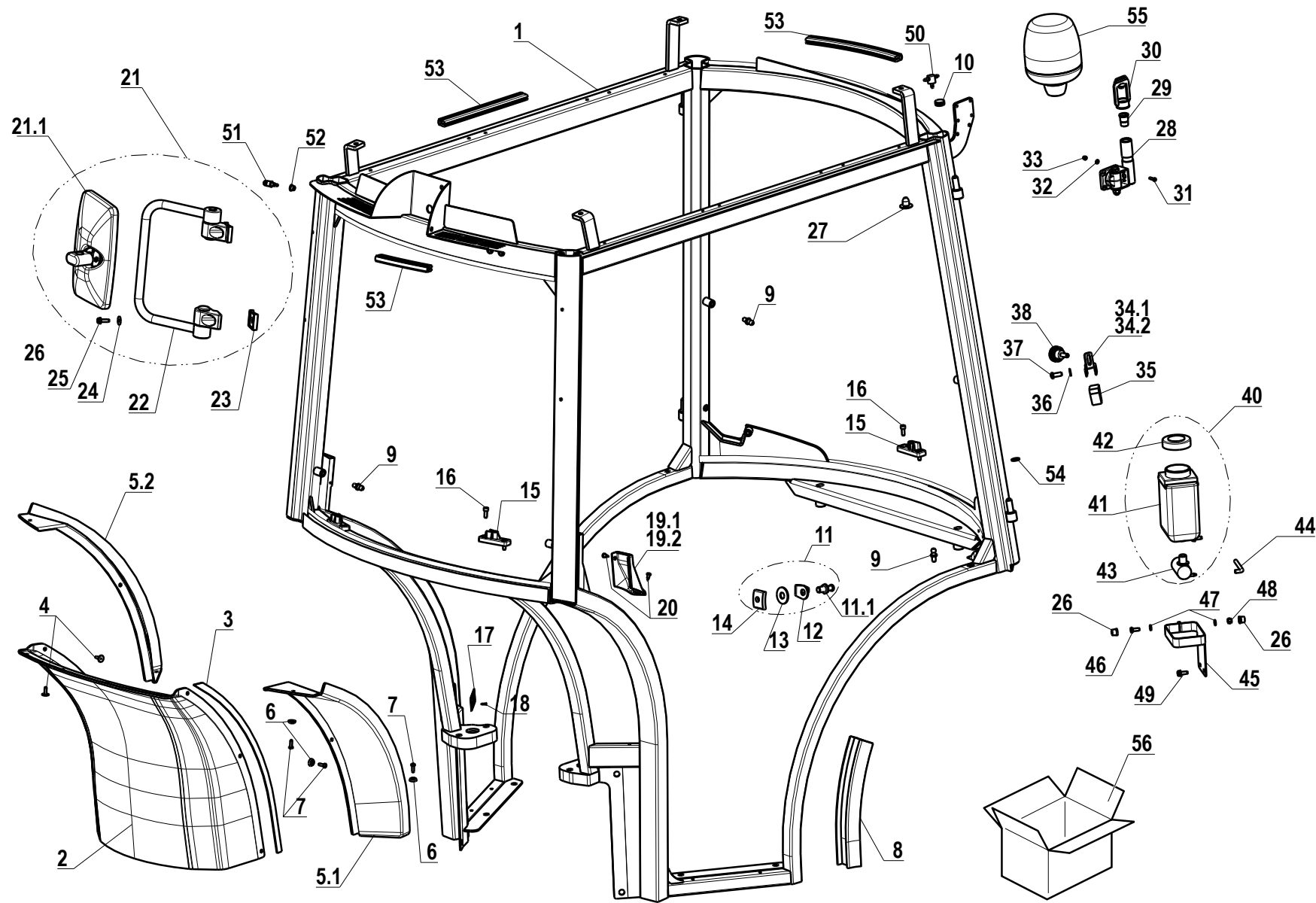
SERIAL

CABINA BF9 (struttura)

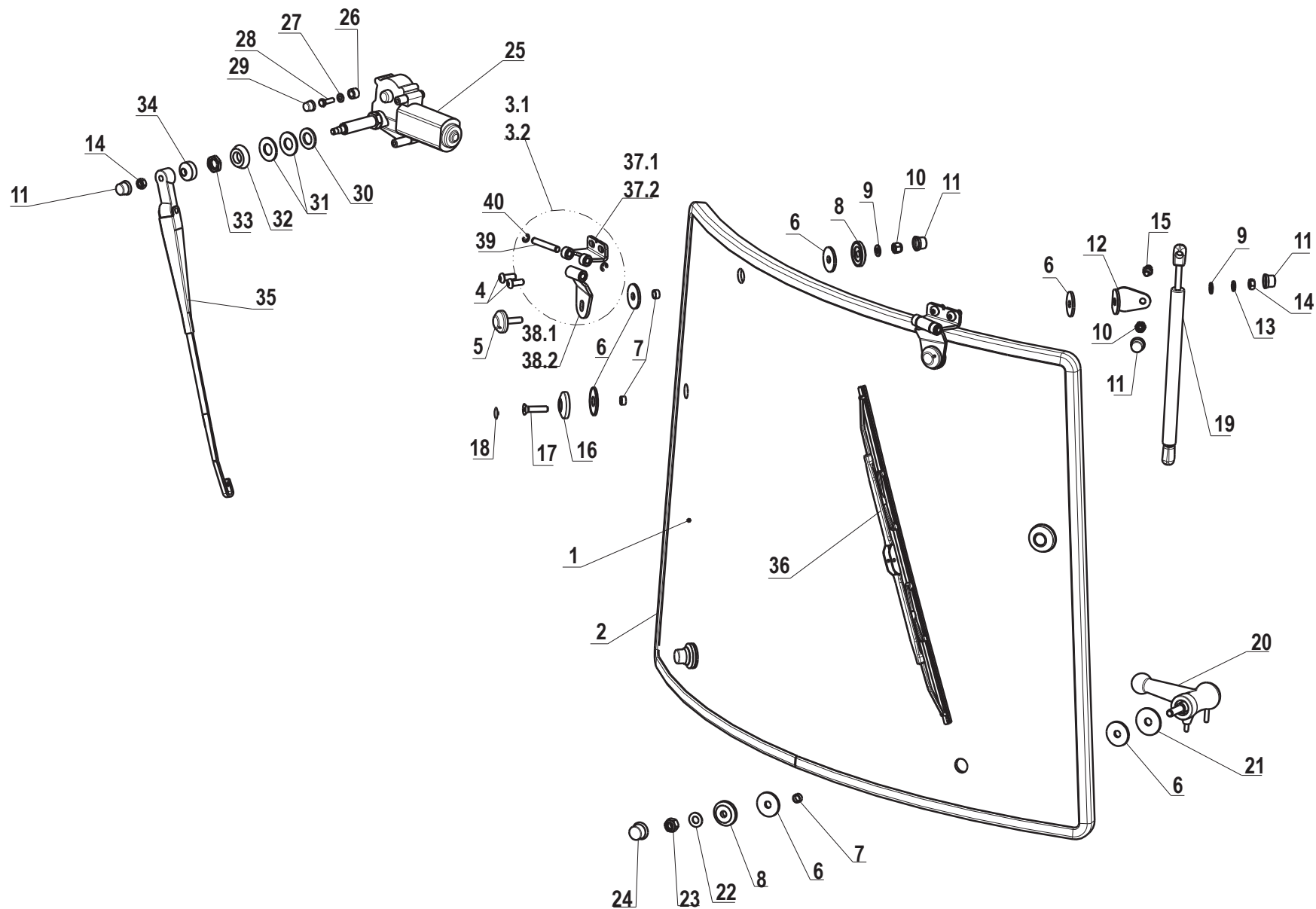
Hp 75

CODE REV

Y.03.01.L60001_0



Pos.	Code	Q.ty	Description	Notes
38	59900013	1	KNOB	
40	59900389	1	TANK	
41	59900009	1	TANK	
42	59900010	1	TANK COVER	
43	59900011	1	ELECTRIC PUMP	
44	59900787	3.2	PIPE	
45	59900590	1	SUPPORT	
46	59900396	1	HEXAGON SCREW M6X15	
47	31411064	2	WASHER 6,4x12,5	
48	31241060	1	HEXAGON SELFLOCK NUT M6	
49	59900031	1	SCREW	
50	59900388	1	PIPE FITTING	
51	59900466	1	COOLING NOZZLE	
52	59900477	1	RUBBER PLUG	
53	59900578	5.5	GASKET	
54	59900390	4	ALUMINIUM GASKET WASHER M12X18	
55	58177756	1	ROTARY WARN. LAMP	
56	581A2152	1	KIT RIVESTIMENTI BF9 DS	
11,100000	59900034	2	PIN	
19,100000	59905133	1	COVER	
19,200000	59905134	1	COVER	
21,100000	59900006	2	SUMP	
34,099998	59905267	1	SPORTELLINO SX (703E1B005)	
34,200000	59905268	1	SPORTELLINO DX (703E1B006)	
5,0999999	59905264	1	PARATIA ANT.DX (627E1A920)	
5,1999998	59905263	1	PARATIA ANT.SX (627E1A919)	



Pos.	Code	Q.ty	Description	Notes
1	59905270	1	FRONT GLASS	
2	59900083	1	GLASS GASKET	
4	59900600	4	BLACK BLINDING HEAD SCREW	
5	59900601	2	BOSS	
6	59900074	12	WASHER	
7	59900103	6	RING	
8	59900102	4	PLASTIC WASHER 10x36/8	
9	31411084	4	WASHER 8,4x17	
10	31241080	4	HEXAGON SELFLOCK NUT M8	
11	59900109	7	NUT COVER	
12	59905271	2	SUPP.MOLLA A GAS (703004408)	
13	59900117	2	WASHER 11,4 M8	
14	31211060	3	HEXAGONAL NUT M8	
15	59900106	2	JOINT	
16	59900602	2	BOSS	
17	59900624	2	SCREW	
18	59900604	2	SCREW COVER	
19	59900605	2	SPRING	
20	59900094	2	HANDLE	
21	59900404	2	WASHER FOR SUPPORTING M10X36	
22	31411105	2	WASHER 10,5x21	
23	31241100	2	SELFLOCK HEXAGON NUT M10	
24	59900108	2	NUT COVER	
25	59900606	1	WIPER MOTOR	
26	59900607	1	SPACER	
27	31411064	1	WASHER 6,4x12,5	
28	31112093	2	SCREW TE M6X20	
29	59900037	1	NUT COVER	
30	59900407	1	WASHER M16 D.30MM	
31	59900408	2	RUBBER WIPER MOTOR WASHER	
32	59900409	1	CONICAL WASHER FOR WIPER MOTOR	
33	59900608	1	NUT SHAFT WIPER MOTOR	
34	59900107	1	PIN COVER	
35	59900609	1	ARM	

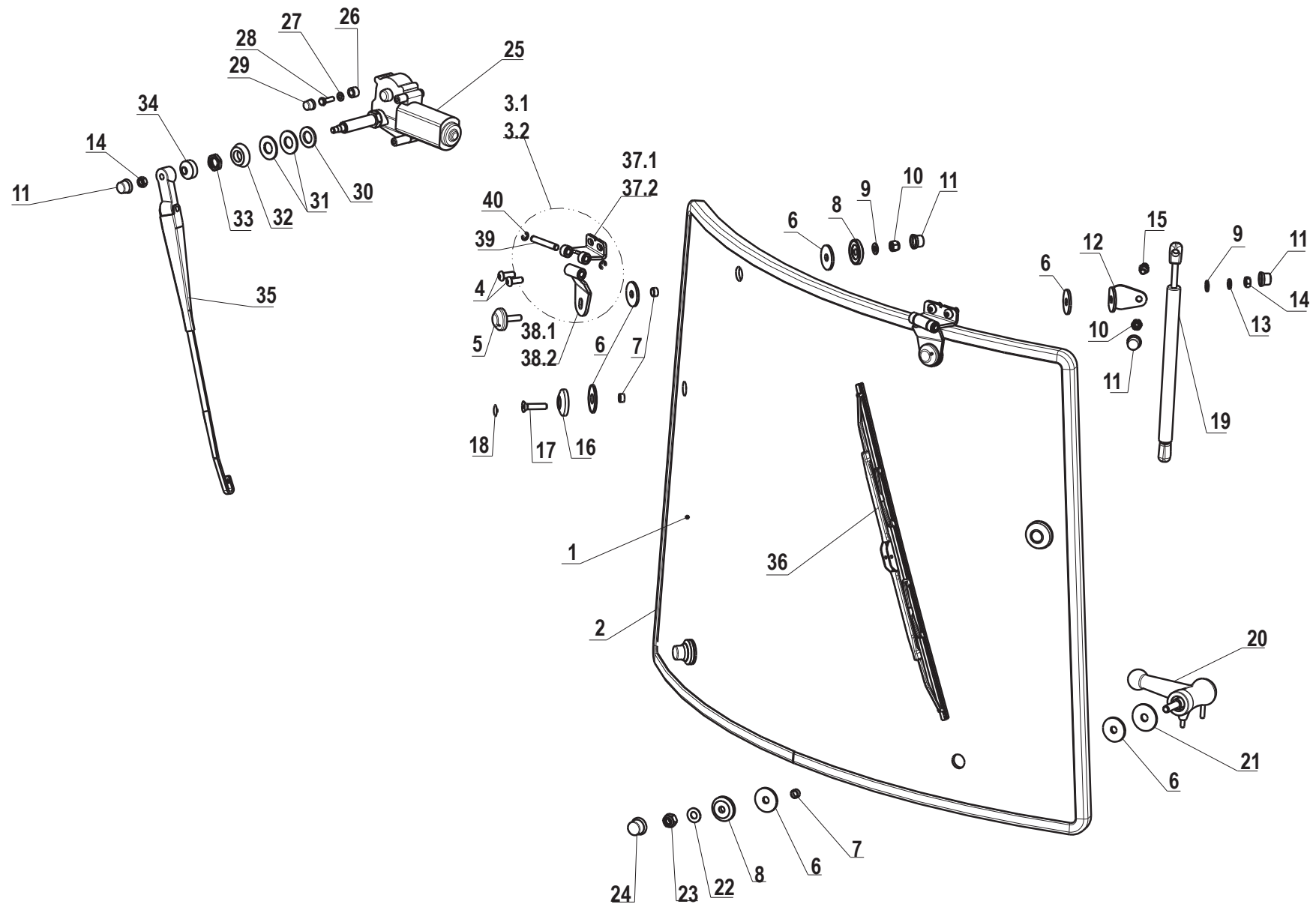
SERIAL

CABINA BF9 (vetro anteriore)

Hp 75

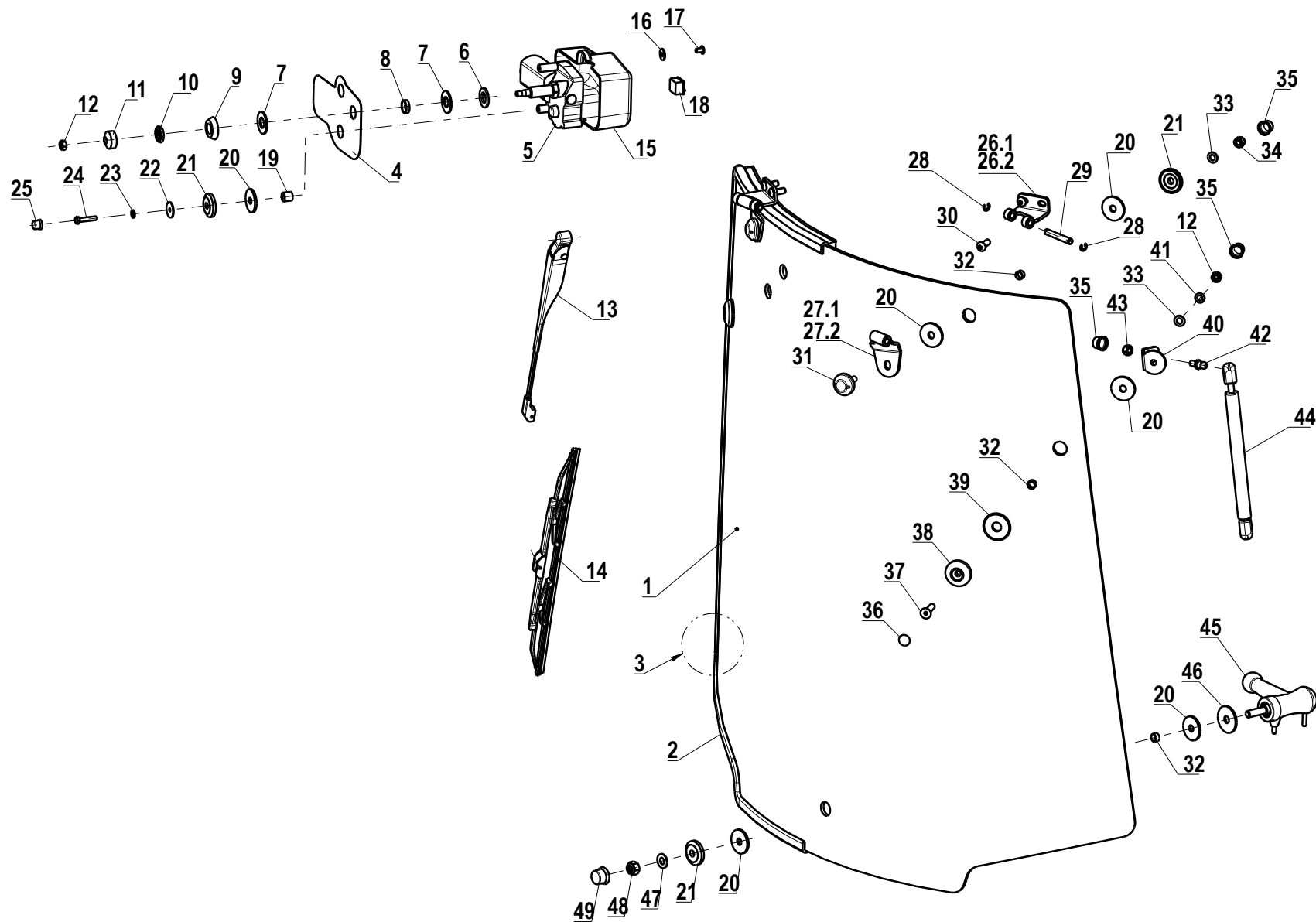
CODE REV

Y.03.02.L60001_0



Pos.	Code	Q.ty	Description	Notes
36	59900610	1	WIPER BLADE	
39	59900615	2	PIN	
40	59900616	4	RETAINING RING	
42	59905272	1	FRONT GLASS	
3,0999999	59900598	1	LH HINGE	
3,2000000	59900599	1	RH HINGE	
37,099998	59900611	1	LH HINGE	
37,200000	59900612	1	RH HINGE	
38,099998	59900613	1	LH HINGE	
38,200000	59900614	1	RH HINGE	

CABINA BF9 (vetro posteriore)



Pos.	Code	Q.ty	Description	Notes
2	59900083	1	GLASS GASKET	
3	59905273	1	REAR GLASS	
4	59900093	1	DECAL	
5	59905274	1	MOTORINO TERGI. (621916599)	
6	59900407	1	WASHER M16 D.30MM	
7	59900408	2	RUBBER WIPER MOTOR WASHER	
8	59900403	1	SPACER	
9	59900409	1	CONICAL WASHER FOR WIPER MOTOR	
10	59900608	1	NUT SHAFT WIPER MOTOR	
11	59900107	1	PIN COVER	
12	31211060	3	HEXAGONAL NUT M8	
13	59900619	1	WIPER ARM	
14	59905146	1	WIPER BLADE	
15	59900414	1	COVER	
16	59900406	2	WASHER FOR FIXTING	
17	59900405	2	SCREW	
18	59900415	1	SWITCH	
19	59900138	1	NYLON RING HINGE 14X13	
20	59900074	9	WASHER	
21	59900102	4	PLASTIC WASHER 10x36/8	
22	59900411	1	WASHER M6X24	
23	31411064	1	WASHER 6,4x12,5	
24	59905151	1	VITE TE M6X30 (606060030)	
25	59900037	1	NUT COVER	
28	59900616	4	RETAINING RING	
29	59900615	2	PIN	
30	59900600	4	BLACK BLINDING HEAD SCREW	
31	59900601	2	BOSS	
32	59900103	5	RING	
33	31411084	4	WASHER 8,4x17	
34	31241080	2	HEXAGON SELFLOCK NUT M8	
35	59900109	6	NUT COVER	
36	59900604	2	SCREW COVER	
37	59900624	2	SCREW	

SERIAL

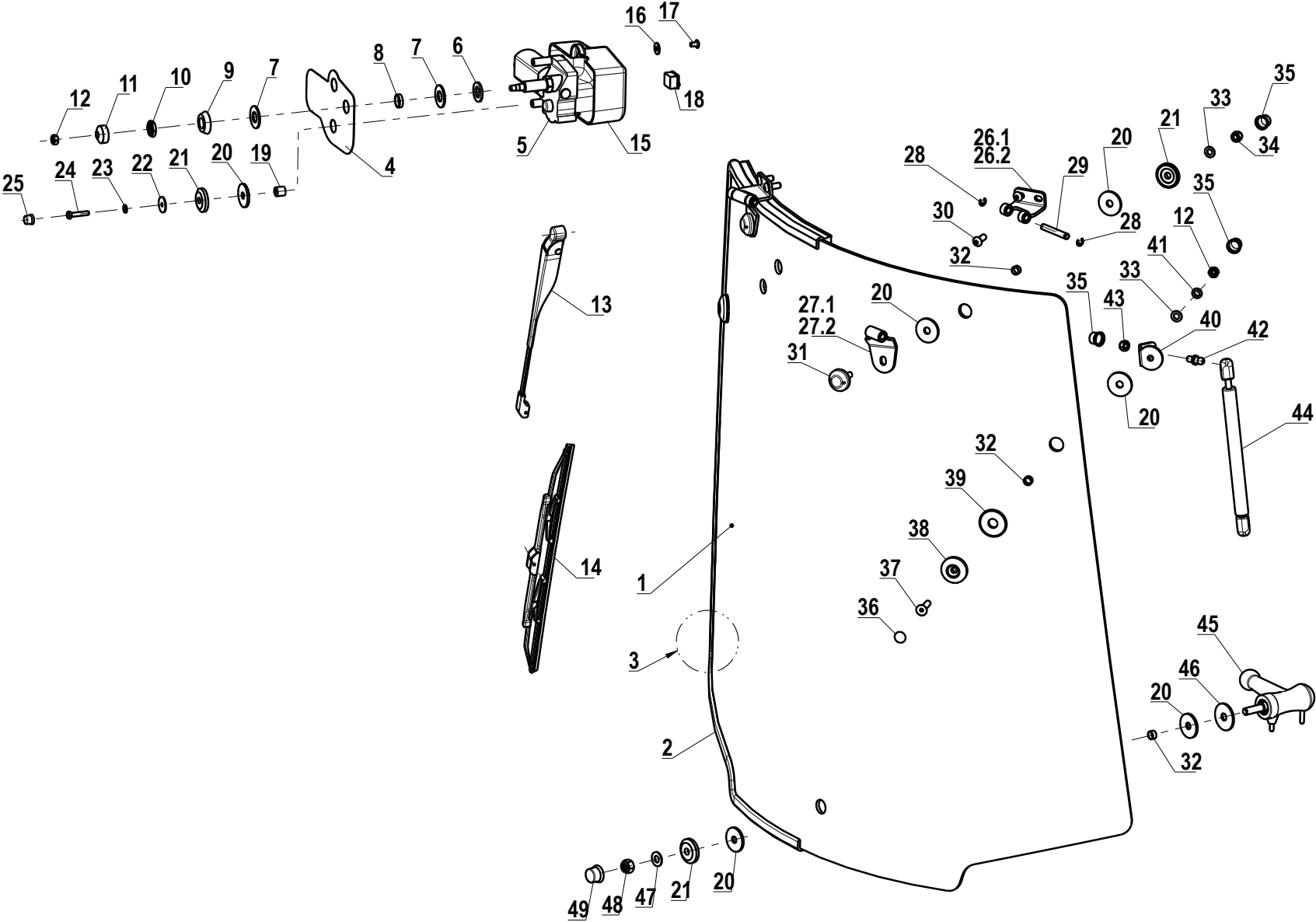
CABINA BF9 (vetro posteriore)

Hp 75

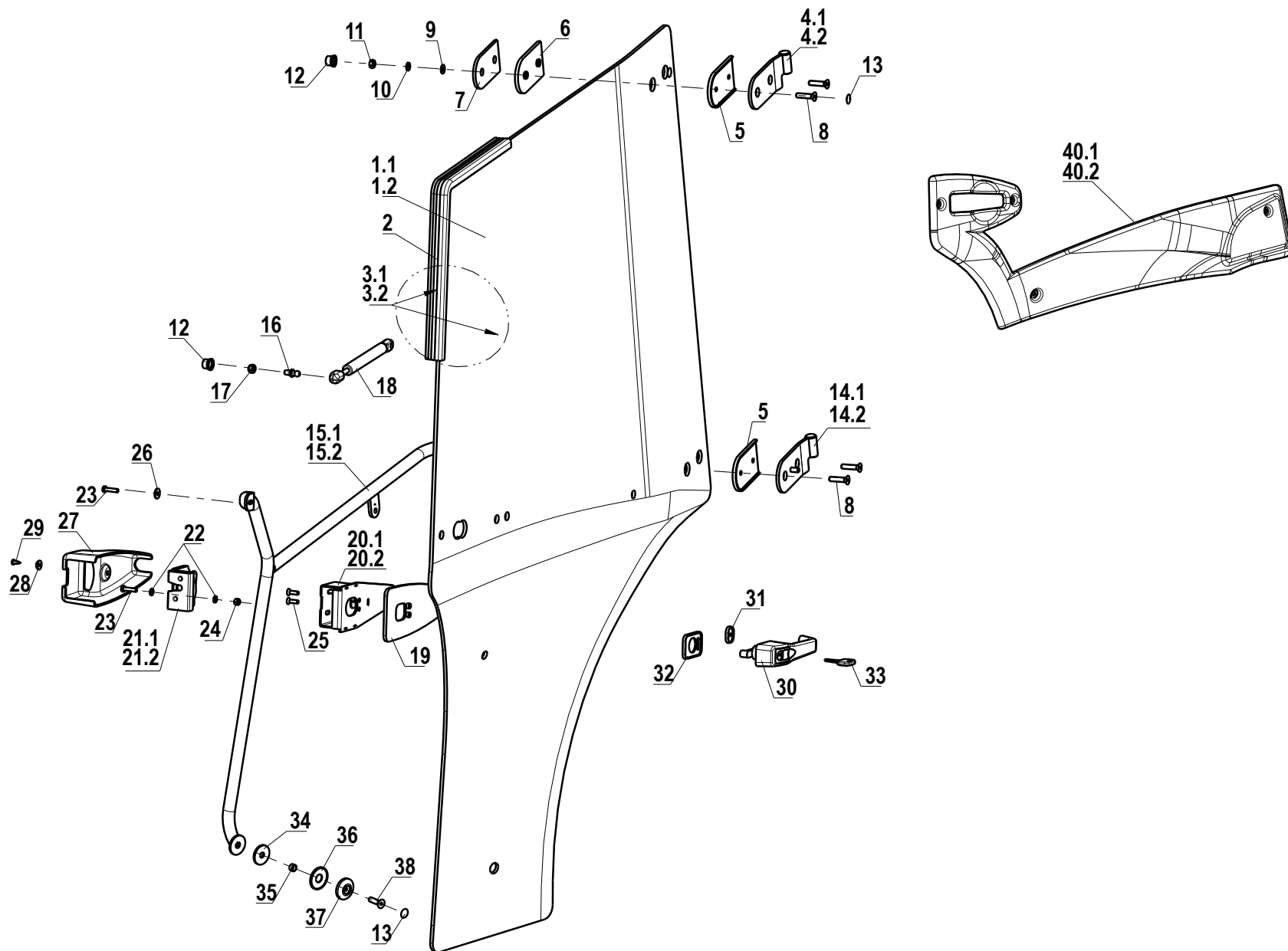
CODE REV

Y.03.03.L60001_0

CABINA BF9 (vetro posteriore)



Pos.	Code	Q.ty	Description	Notes
38	59900602	2	BOSS	
39	59905043	2	RUBBER WASHER	
40	59905275	2	SUPPORTO MOLLA GAS (703004408)	
41	59900117	2	WASHER 11,4 M8	
42	59900106	2	JOINT	
43	31241081	2	HEXAGON SELFLOCK NUT	
44	59905156	2	GAS SPRING	
45	59900094	1	HANDLE	
46	59900404	1	WASHER FOR SUPPORTING M10X36	
47	31411105	1	WASHER 10,5x21	
48	31241100	1	SELFLOCK HEXAGON NUT M10	
49	59900108	1	NUT COVER	
50	59905276	1	REAR GLASS	
26,100000	59905152	1	LH HINGE	
26,200000	59905153	1	RH HINGE	
27,100000	59905154	1	LH HINGE	
27,200000	59905155	1	RH HINGE	



Pos.	Code	Q.ty	Description	Notes
2	59905277	2	GUARNIZIONE 200333 (728350010)	
5	59905162	2	SOTTOBASE CERNIERA (628004675)	
6	59905163	2	SOTTOBASE CERNIERA (628004676)	
7	59905042	2	PLATE	
8	59900624	4	SCREW	
9	31411084	4	WASHER 8,4x17	
10	59900117	4	WASHER 11,4 M8	
11	31211060	4	HEXAGONAL NUT M8	
12	59900109	5	NUT COVER	
13	59900604	5	SCREW COVER	
16	59900106	1	JOINT	
17	31241081	1	HEXAGON SELFLOCK NUT	
18	59900640	1	SPRING	
19	59900641	1	S/BASE GOMMA SERR.T5 628014631	
22	31411064	4	WASHER 6,4x12,5	
23	59900432	3	HEXAGON HEAD SCREW	
24	31241060	2	HEXAGON SELFLOCK NUT M6	
25	59900644	2	SCREW	
26	59900398	1	WASHER M6X18	
27	59900647	1	LOCK COVER	
28	59900561	1	WASHER	
29	59900468	1	RIBBED SCREW 4,8X13	
30	59900649	1	DOOR HANDLE	
31	59900650	1	GASKET	
32	59900651	1	GASKET	
33	59900652	1	KEY	
34	59900074	1	WASHER	
35	59900103	1	RING	
36	59905043	1	RUBBER WASHER	
37	59900799	1	BOSS	
38	F0862728000	1	SCREW M8x30 UNI 5933	
14,100000	59900633	1	RH HINGE	
14,199999	59900632	1	RH HINGE	
15,100000	59905280	1	MANIGLIONE CPL SX (703E1A994)	

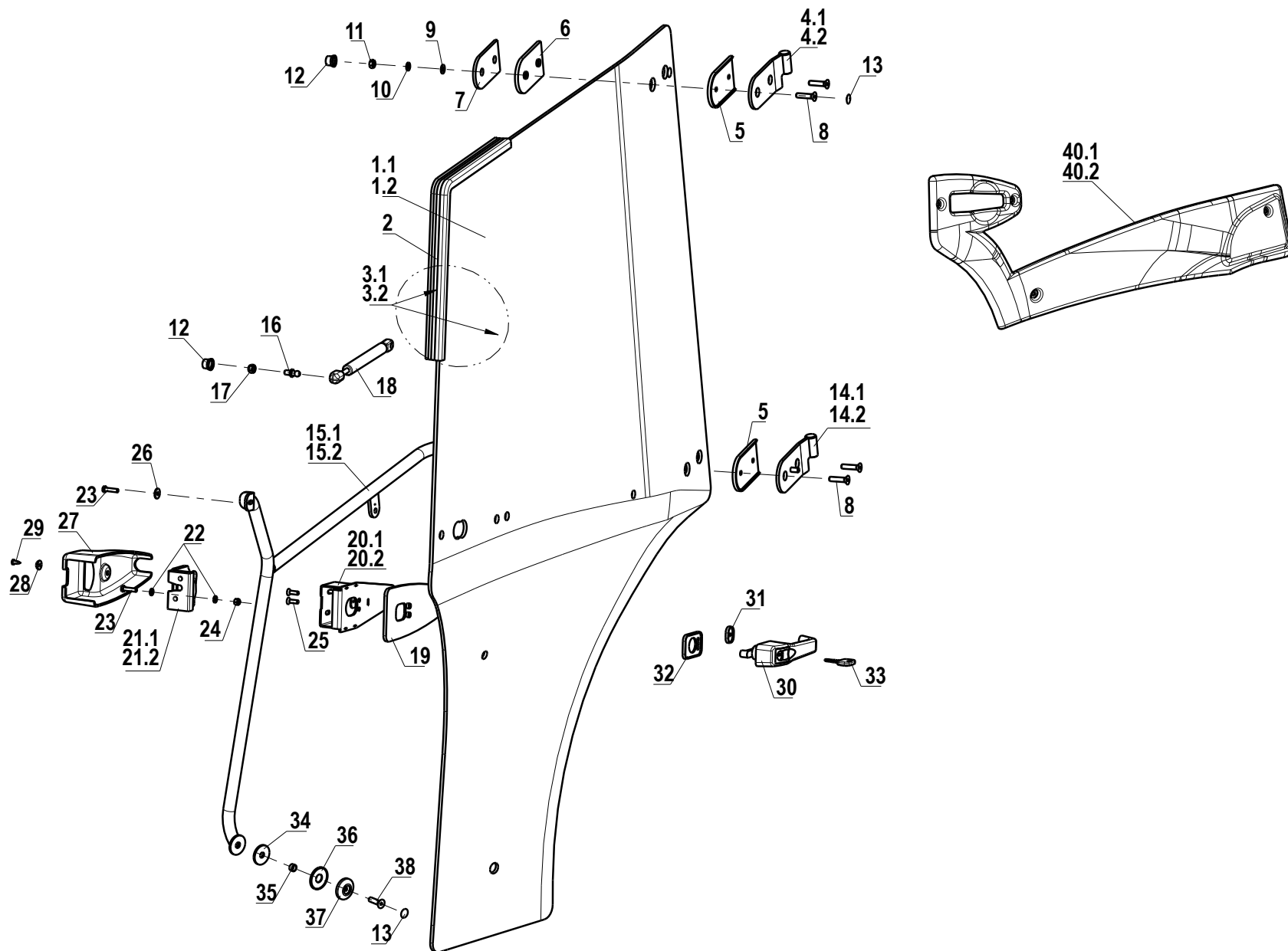
SERIAL

CABINA BF9 (vetri porte)

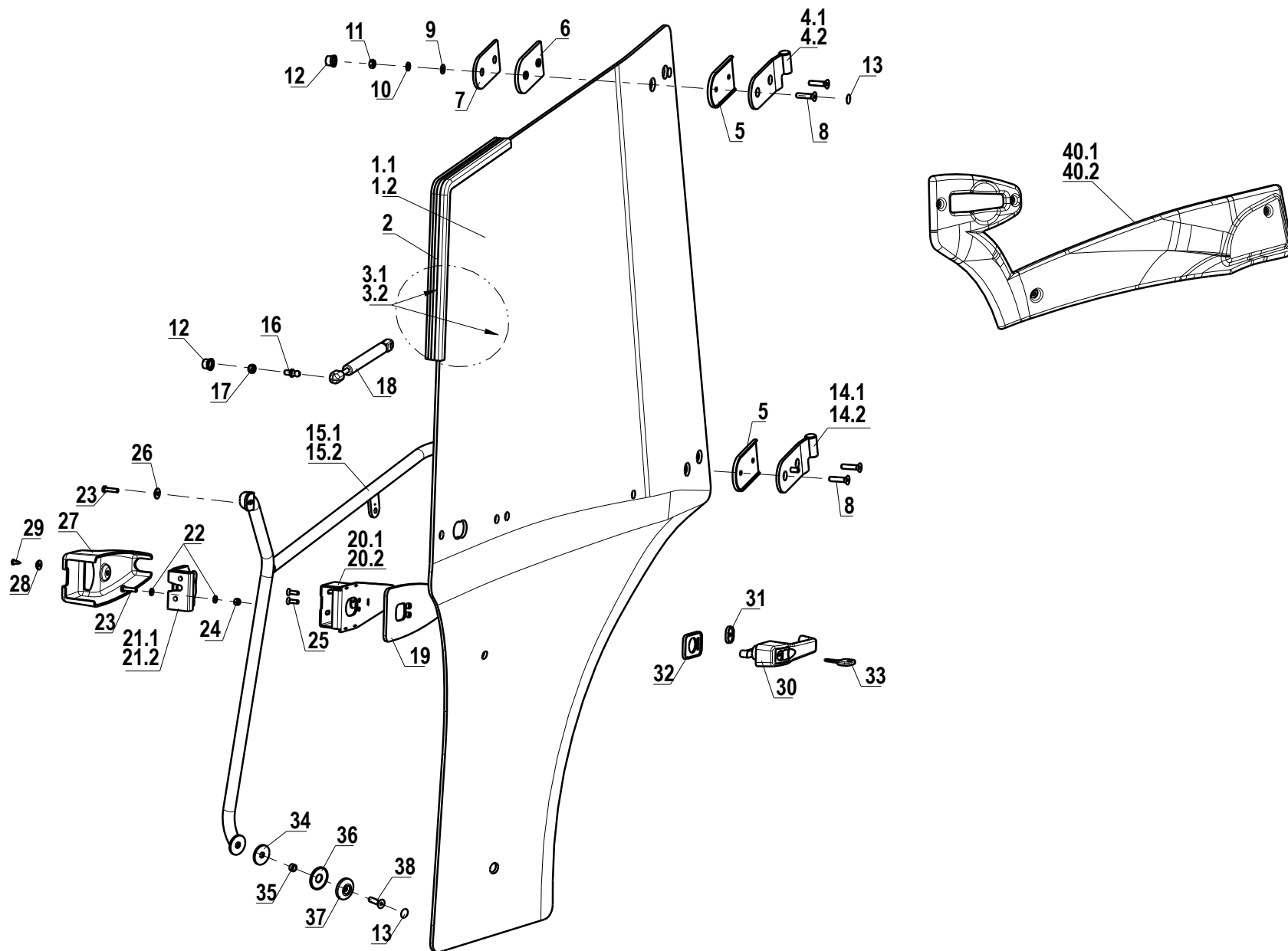
Hp 75

CODE REV

Y.03.04.L60001_0



Pos.	Code	Q.ty	Description	Notes
15,199999	59905281	1	MANIGLIONE CPL DX (703E1A995)	
20,100000	59905047	1	SUPPORT	
20,200000	59905048	1	SUPPORT	
21,100000	59900646	1	RH LOCK SMALL BLOCK	
21,200000	59900645	1	LH LOCK SMALL BLOCK	
3,0999999	59905278	1	LH DOORGLASS	
3,2000000	59905279	1	RH DOORGLASS	
39,099998	59905282	1	CAB DOOR - LEFT	
39,200000	59905283	1	CAB DOOR RIGHT	
4,0999999	59900637	1	RH HINGE	
4,1999998	59900636	1	RH HINGE	
40,099998	573A1560V	3	FASCIA PORTA DX VERDE(A1560)	
40,200000	573A1559V	2	FASCIA PORTA.SX VERDE(A1559)	



Pos.	Code	Q.ty	Description	Notes
2	59905277	2	GUARNIZIONE 200333 (728350010)	
5	59905162	2	SOTTOBASE CERNIERA (628004675)	
6	59905163	2	SOTTOBASE CERNIERA (628004676)	
7	59905042	2	PLATE	
8	59900624	4	SCREW	
9	31411084	4	WASHER 8,4x17	
10	59900117	4	WASHER 11,4 M8	
11	31211060	4	HEXAGONAL NUT M8	
12	59900109	5	NUT COVER	
13	59900604	5	SCREW COVER	
16	59900106	1	JOINT	
17	31241081	1	HEXAGON SELFLOCK NUT	
18	59900640	1	SPRING	
19	59900641	1	S/BASE GOMMA SERR.T5 628014631	
22	31411064	4	WASHER 6,4x12,5	
23	59900432	3	HEXAGON HEAD SCREW	
24	31241060	2	HEXAGON SELFLOCK NUT M6	
25	59900644	2	SCREW	
26	59900398	1	WASHER M6X18	
27	59900647	1	LOCK COVER	
28	59900561	1	WASHER	
29	59900468	1	RIBBED SCREW 4,8X13	
30	59900649	1	DOOR HANDLE	
31	59900650	1	GASKET	
32	59900651	1	GASKET	
33	59900652	1	KEY	
34	59900074	1	WASHER	
35	59900103	1	RING	
36	59905043	1	RUBBER WASHER	
37	59900799	1	BOSS	
38	F0862728000	1	SCREW M8x30 UNI 5933	
14,100000	59900633	1	RH HINGE	
14,199999	59900632	1	RH HINGE	
15,100000	59905280	1	MANIGLIONE CPL SX (703E1A994)	

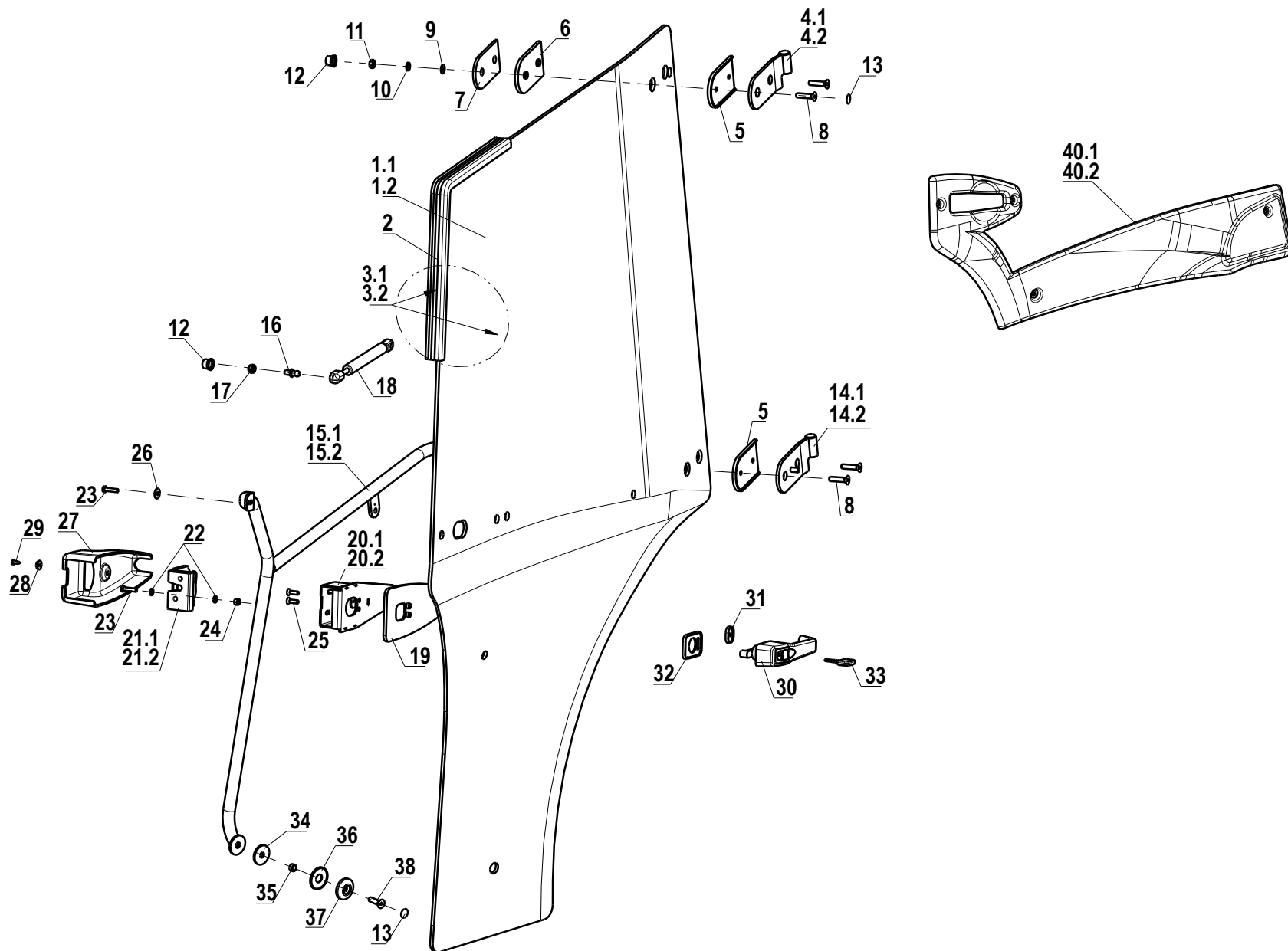
SERIAL

CABINA BF9 (vetri porte)

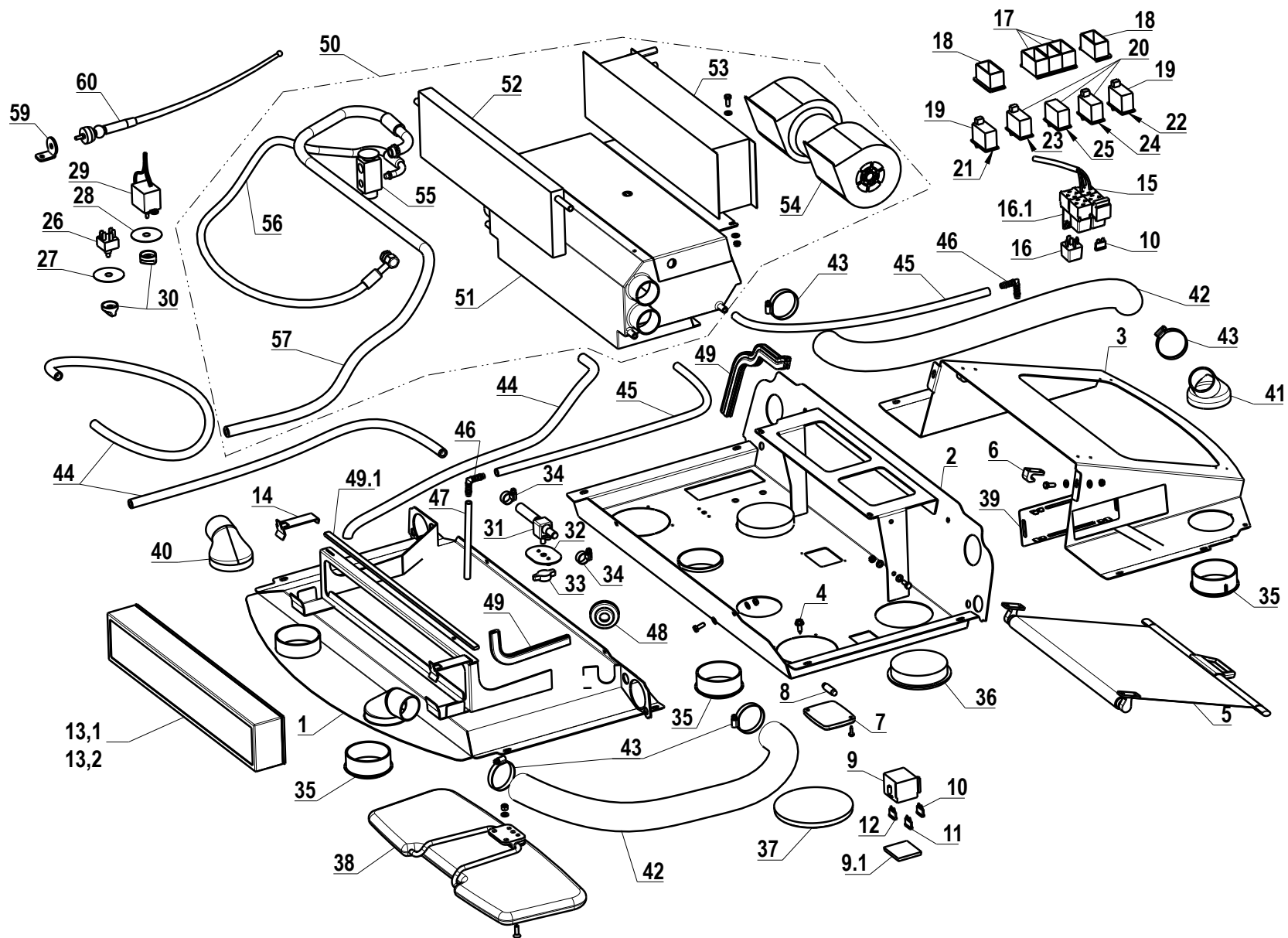
Hp 75

CODE REV

Y.03.04.L60001_0



Pos.	Code	Q.ty	Description	Notes
15,199999	59905281	1	MANIGLIONE CPL DX (703E1A995)	
20,100000	59905047	1	SUPPORT	
20,200000	59905048	1	SUPPORT	
21,100000	59900646	1	RH LOCK SMALL BLOCK	
21,200000	59900645	1	LH LOCK SMALL BLOCK	
3,0999999	59905278	1	LH DOORGLASS	
3,2000000	59905279	1	RH DOORGLASS	
39,099998	59905282	1	CAB DOOR - LEFT	
39,200000	59905283	1	CAB DOOR RIGHT	
4,0999999	59900637	1	RH HINGE	
4,1999998	59900636	1	RH HINGE	
40,099998	573A1560V	3	FASCIA PORTA DX VERDE(A1560)	
40,200000	573A1559V	2	FASCIA PORTA.SX VERDE(A1559)	



Pos.	Code	Q.ty	Description	Notes
1	59905284	1	RIVEST. ANTERIORE (702E1A978)	
2	59905285	1	RIVEST. CENTRALE (702E1A984)	
3	59905286	1	RIVEST. POSTERIORE (702E1A988)	
4	59900395	14	RIBBED SCREW 6,5X20	
5	59905172	1	TENDINA PARASOLE (624220705)	
6	59900697	2	CLEVIS	
7	59900459	1	PLAFONIERA PER VENTILAZIONE	
8	59900668	1	LAMP	
9	59900058	1	FUSE-HOLDER	
10	59900665	2	FUSE/LOCK	
11	59900666	3	FUSE/LOCK	
12	59900667	2	FUSE/LOCK	
14	59905288	2	GRAFFETTA FISS. (701E1A922)	
15	59905190	1	ELECTRICAL SYSTEM	
16	59905088	4	RELAY	
17	59900052	3	SWITCH SUPPORT	
18	59900051	2	SWITCH SUPPORT	
19	59900054	2	SWITCH	
20	59900053	3	SWITCH	
21	59900669	1	GLASS	
22	59905290	1	VETRINO PULSANTE (624033021)	
23	59900670	1	GLASS	
24	59900672	1	GLASS	
25	59900671	1	GLASS	
26	59900449	1	SWITCH	
27	59905173	1	MOSTRINA VENTIL. (624073052)	
28	59905175	1	MOSTRINA A/C (624073053)	
29	59905174	1	THERMOSTAT A/C	
30	59900447	2	KNOB	
31	59900068	1	COCK OR TAP	
32	59905291	1	MASCHERINA (624072990)	
33	59900070	1	KNOB	
34	59900071	4	PIPE CONNECTION	
35	59905080	6	PIPE UNION	

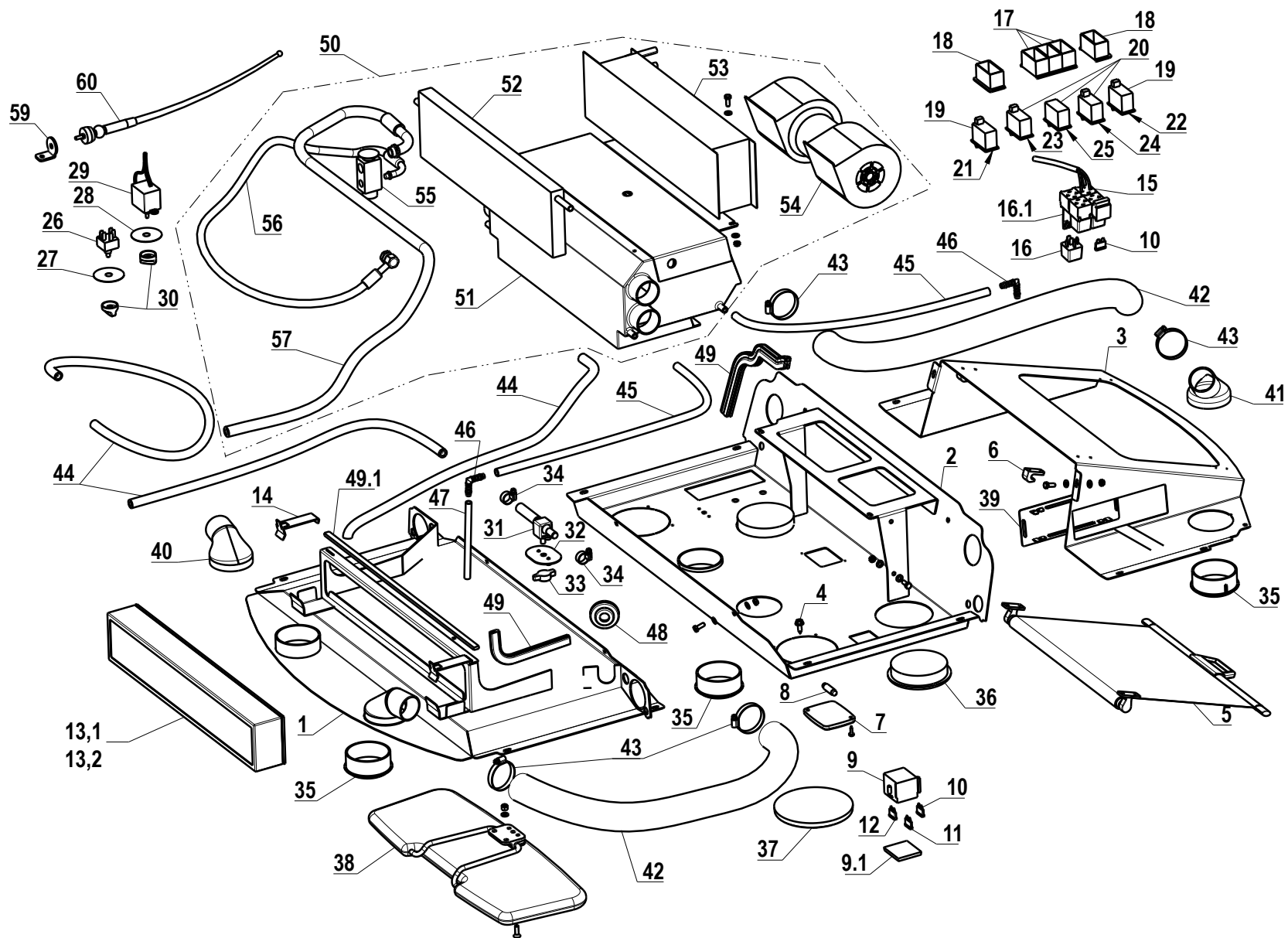
SERIAL

CABINA BF9 (sottotetto)

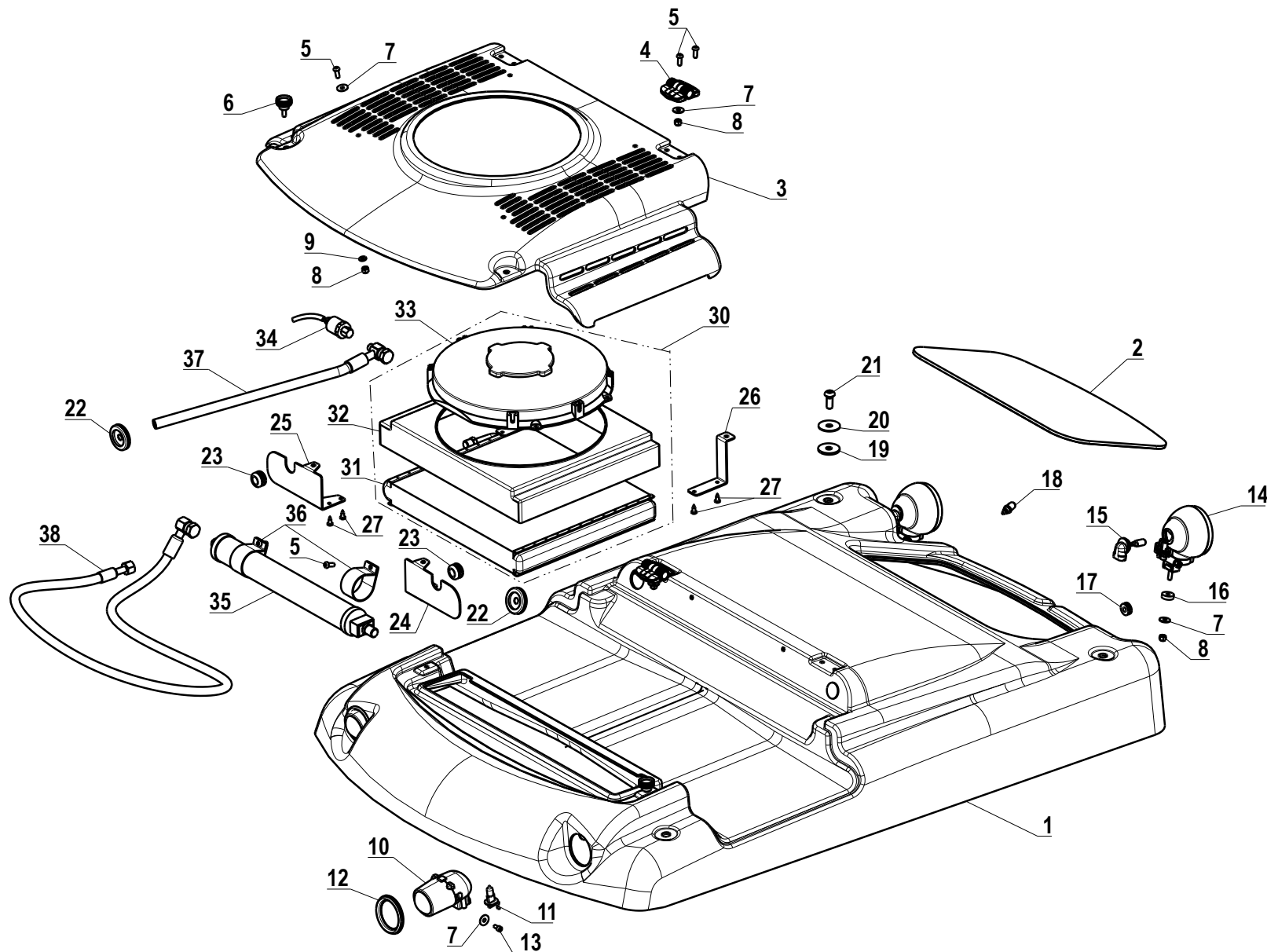
Hp 75

CODE REV

Y.03.05.L60001_0



Pos.	Code	Q.ty	Description	Notes
36	59900684	2	TONGUE	
37	59900702	2	GRILLE	
38	59905292	1	PARASOLE (624220505)	
39	59905251	1	COPERCHIO FORO RADIO 622031905	
40	59900686	2	PIPE FITTING	
41	59900685	2	PIPE FITTING	
42	59900687	2.2	PIPE	
43	59900455	8	HOSE CLIP	
44	59900069	9.1	PIPE	
45	59900689	3.2	RUBBER HOSE	
46	59900688	6	ELBOW	
47	59905293	2.8	TUBO SCARICO COND.(624771300)	
48	59900469	1	PLUG	
49	59900781	1.5	GASKET	
50	59905294	1	KIT VENTIL. E A/C (624990108)	
51	59905243	1	SCATOLA GR.VENTIL. 624990626	
52	59905244	1	RADIATORE 624761659	
53	59905245	1	EVAPORATORE 624990627	
54	59905242	1	ELETTROVENTILATORE 624990629	
55	59905246	1	VALVOLA ESPANSIONE 624990628	
56	59905295	1	TUBO A/C FILT.EVAP.(624990666)	
57	59905296	1	TUBO A/C EVAP.COMP.(624990663)	
59	59905098	1	FIXING BRACKET	
60	59900731	1	AERIAL	
13,100000	59900457	1	FILTER	
13,199999	59900458	1	CARBON FILTER	
16,100000	59905289	2	SUPPORTO RELE'(622032214)	
49,099998	59900580	0.52	FOAM RUBBER	
9,1000003	59900057	1	COVER	



Pos.	Code	Q.ty	Description	Notes
1	59905297	1	TETTO NR76 A/C (623E1A915)	
2	59905298	1	VETRO TETTO (650E1A925)	
3	59905299	1	COPERTURA COND.A/C (623E1A917)	
4	59905300	2	CERNIERA (621028021)	
5	59900750	14	SCREW	
6	59900725	2	KNOB	
7	59900398	8	WASHER M6X18	
8	31241060	8	HEXAGON SELFLOCK NUT M6	
9	59905142	4	WASHER M6	
10	59900727	2	HEADLIGHT	
11	59900728	2	LAMP	
12	59905198	2	GASKET	
13	59900730	4	SCREW	
14	59900751	2	WORKING SPOTLIGHT	
15	59900752	2	LAMP	
16	59905199	2	SPACER	
17	59900075	2	GASKET	
18	59900466	1	COOLING NOZZLE	
19	59900404	4	WASHER FOR SUPPORTING M10X36	
20	59900074	4	WASHER	
21	59905094	4	SCREW	
22	59905301	2	PASSATUBO IN GOMMA (621032012)	
23	59900623	2	RUBBER RING	
24	59905302	1	SUPP.COND.ANT.SX (703E1B001)	
25	59905303	1	SUPP.COND.ANT.DX (703E1B002)	
26	59905304	2	SUPP.COND.POST. (703E1B003)	
27	59905006	8	RIBBED SCREW	
30	59905253	1	CONDENSATORE COMPL.624990631	
31	59905254	1	CONDENSATORE X CABINE BF8/BF9	
32	59905255	1	CONVOGLIATORE 624990630	
33	59905305	1	FAN	
34	59905306	1	PRESSOSTATO (624141820)	
35	59905307	1	FILTRO DEITRATATORE(624141821)	
36	59905308	2	STAFFA SUPP.FILTRO (624141822)	

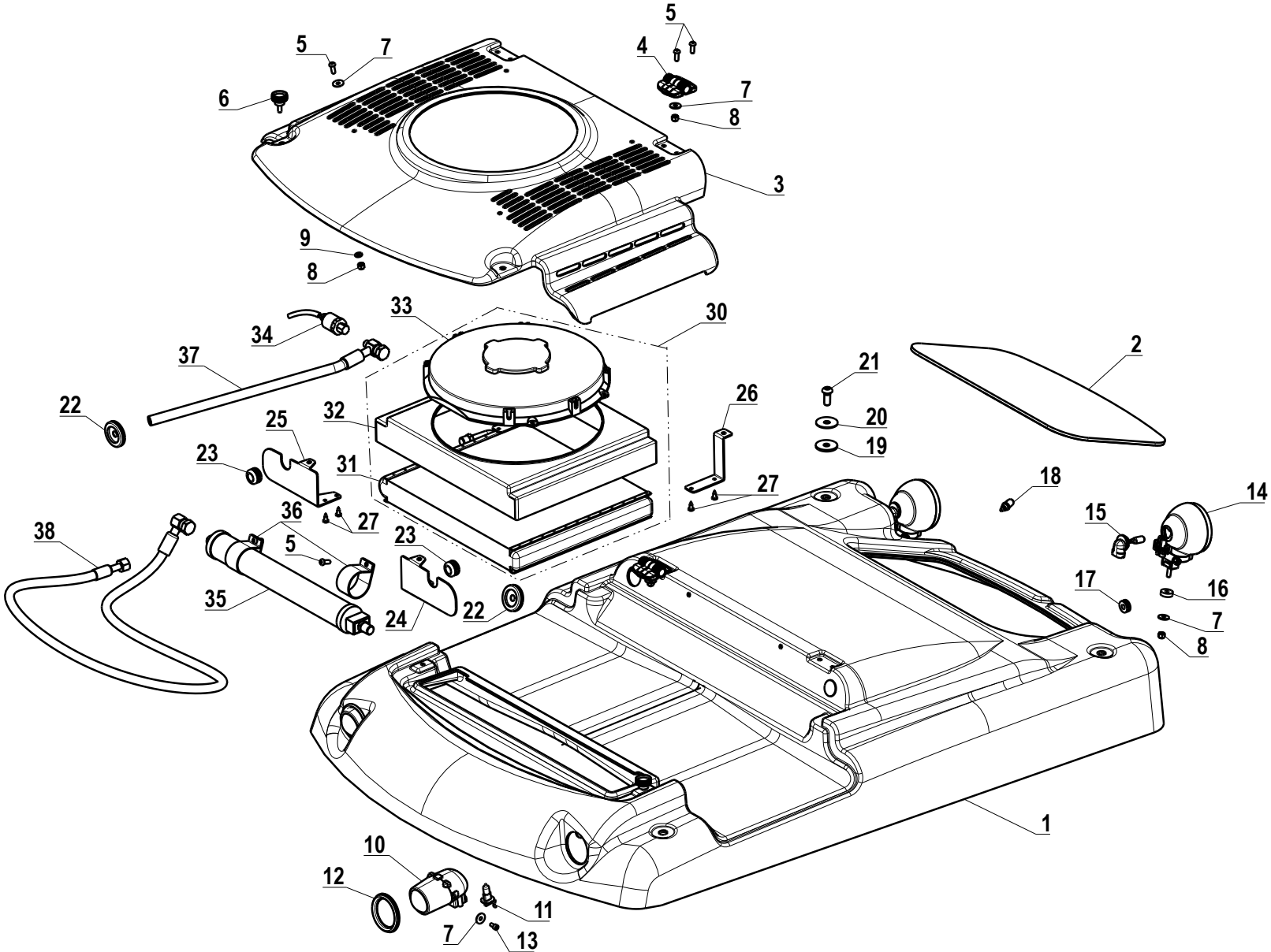
SERIAL

CABINA BF9 (guscio tetto)

Hp 75

CODE REV

Y.03.06.L60001_0



Pos.	Code	Q.ty	Description	Notes
37	59905309	1	TUBO A/C COMP.COND.(624990664)	
38	59905310	1	TUBO A/C COND.FILT.(624990665)	